



US00D411933S

# United States Patent [19] Bernstein

[11] **Patent Number: Des. 411,933**  
[45] **Date of Patent: \*\* Jul. 13, 1999**

[54] **MODULAR MATERNITY MATTRESS SYSTEM UNIT**

[76] Inventor: **Glenn I. Bernstein**, 624 Hill Dr., Brick, N.J. 08724

[\*\*] Term: **14 Years**

[21] Appl. No.: **29/080,898**

[22] Filed: **Dec. 17, 1997**

### Related U.S. Application Data

[63] Continuation of application No. 29/033,894, Jan. 23, 1995, abandoned.

[51] **LOC (6) Cl.** ..... **06-09**

[52] **U.S. Cl.** ..... **D6/596**

[58] **Field of Search** ..... D6/595, 596, 601, D6/604, 605; 5/630, 631, 636-639, 417-420, 690, 695, 722, 726, 725, 652, 652.1, 653-655, 655.3, 655.9, 656; 297/452.22

### [56] References Cited

#### U.S. PATENT DOCUMENTS

1,742,186	1/1930	Claus	5/653
4,021,872	5/1977	Powell	5/462
5,400,449	3/1995	Satto	5/631

#### FOREIGN PATENT DOCUMENTS

1464593	5/1965	France	5/462
2639809	6/1990	France	5/475
2826074	12/1979	Germany	5/631

Primary Examiner—Alan P. Douglas

Attorney, Agent, or Firm—Dority & Manning, PA

### [57] CLAIM

The ornamental design for modular maternity mattress system unit, as shown and described.

### DESCRIPTION

FIG. 1 is a front elevational view of the main mattress of the modular maternity mattress system unit embodiment of the present invention, illustrating the central opening thereof with the two modular plugs removed therefrom, such view being the identical view as the back elevational view thereof;

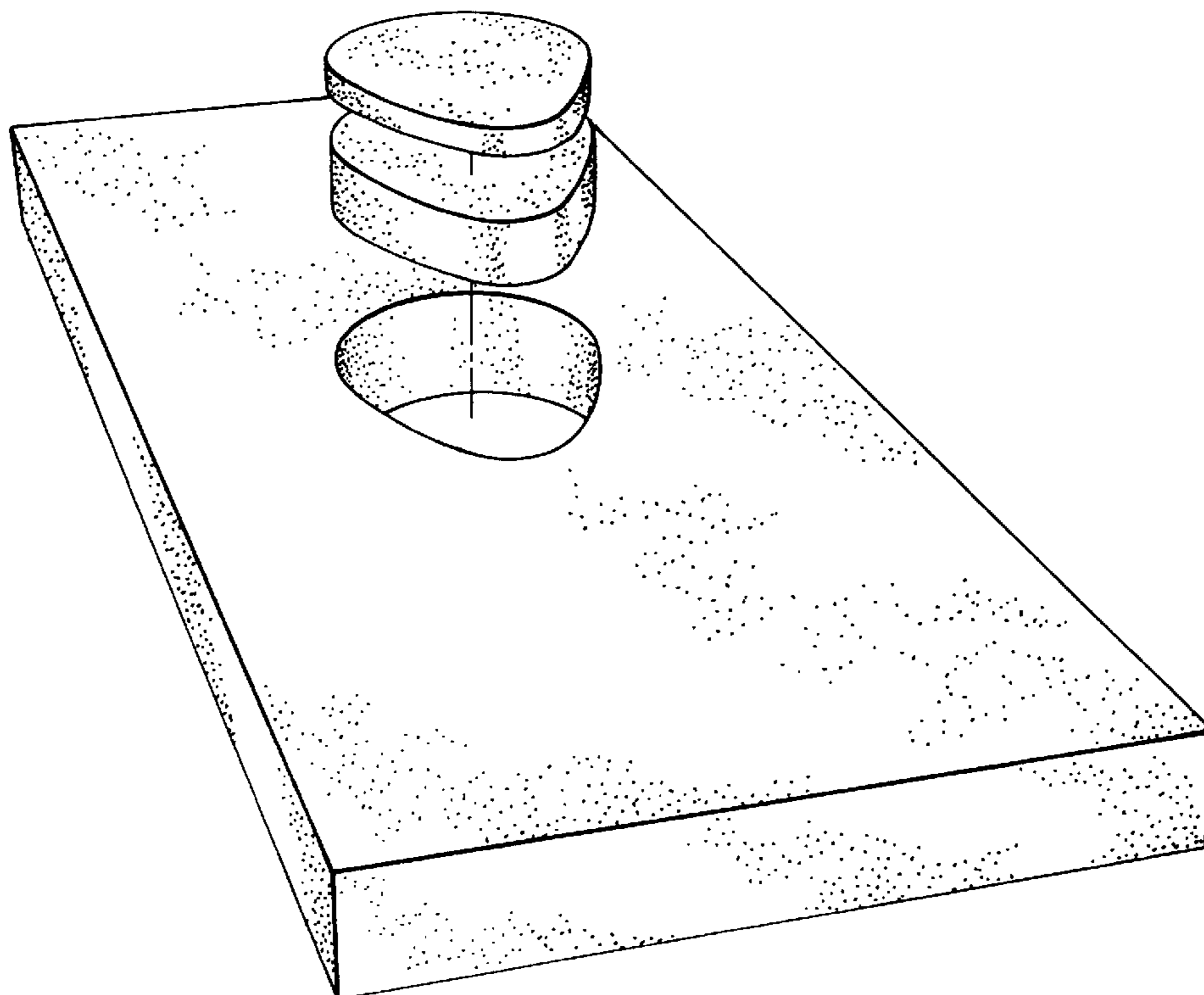
FIG. 2 is a right side elevational view of the main mattress of the embodiment thereof as in FIG. 1, such view being the same as the left side elevational view thereof;

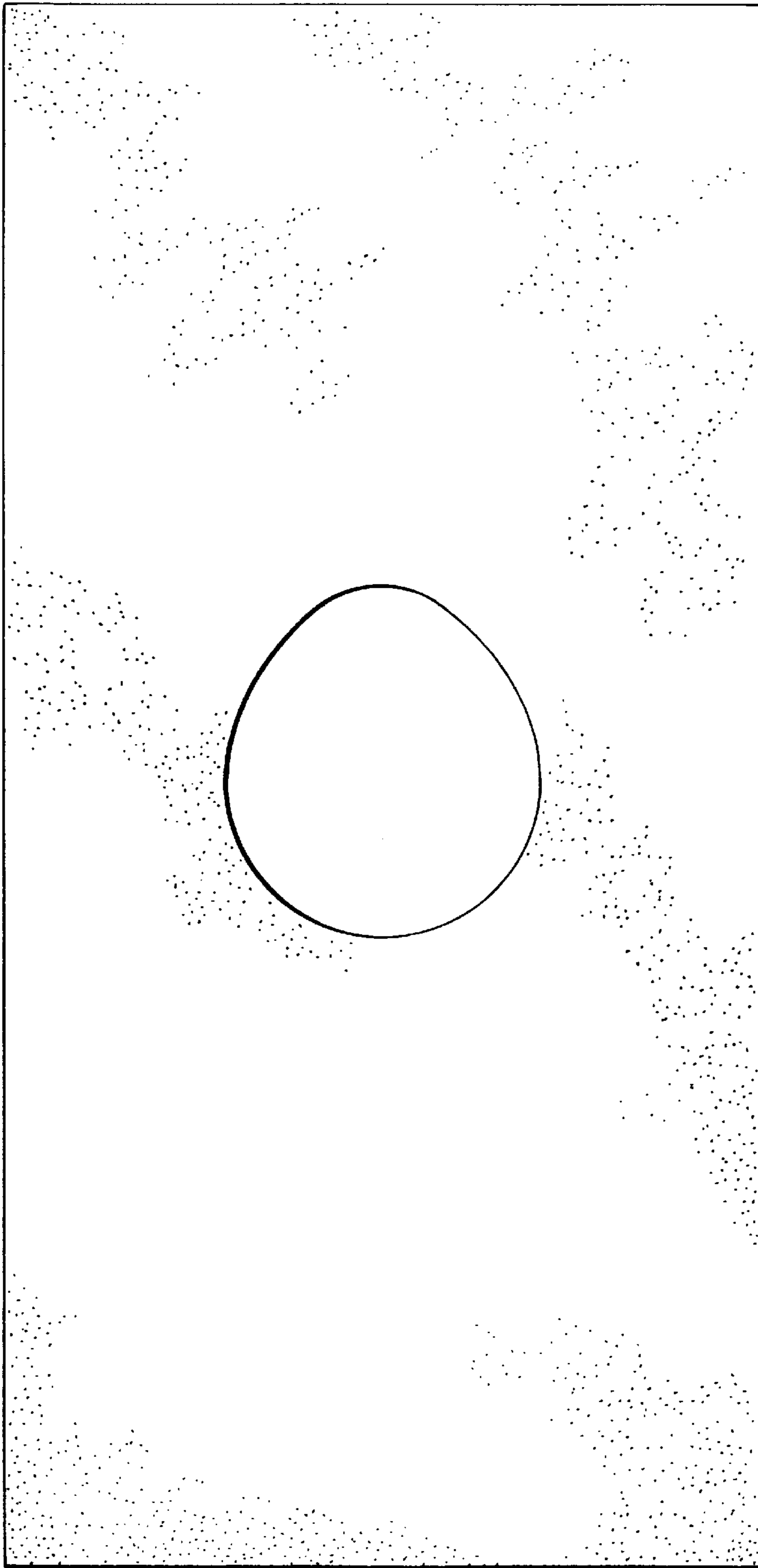
FIG. 3 is a top elevational view of the main mattress of the embodiment thereof as in FIG. 1, such view being the same as the bottom elevational view thereof; and,

FIG. 4 is a generally front and top perspective view with partial right side perspective view of the main mattress of the embodiment thereof of FIG. 1, with the two modular plugs of the modular maternity mattress system unit positioned in exploded view relative to the main mattress central opening therefor, it being understood that the tops and bottoms of such plugs are flat and unadorned, and the curved peripheries thereof are smooth and unadorned with a curvature to mate with the main mattress central opening; and,

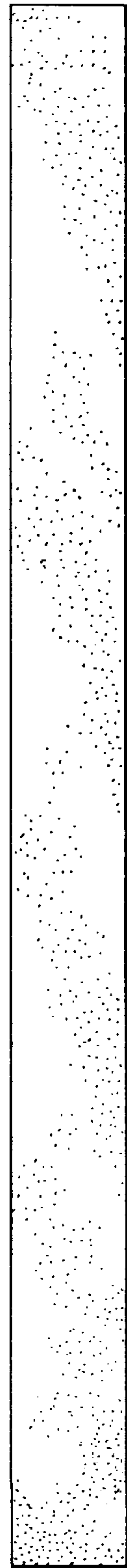
FIG. 5 is a front elevational view of the main mattress of the embodiment thereof as in FIG. 1 with the two modular plugs of present FIG. 4 received in the central opening thereof as shown by the broken line explosion line of present FIG. 4.

1 Claim, 3 Drawing Sheets

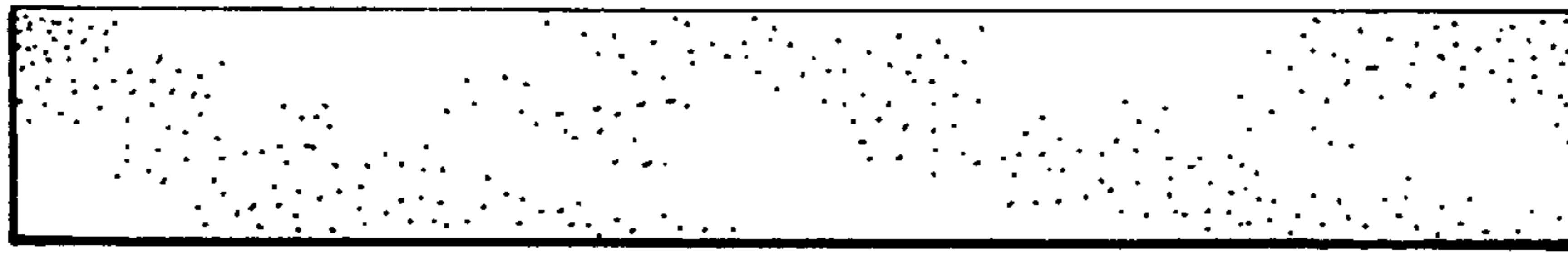




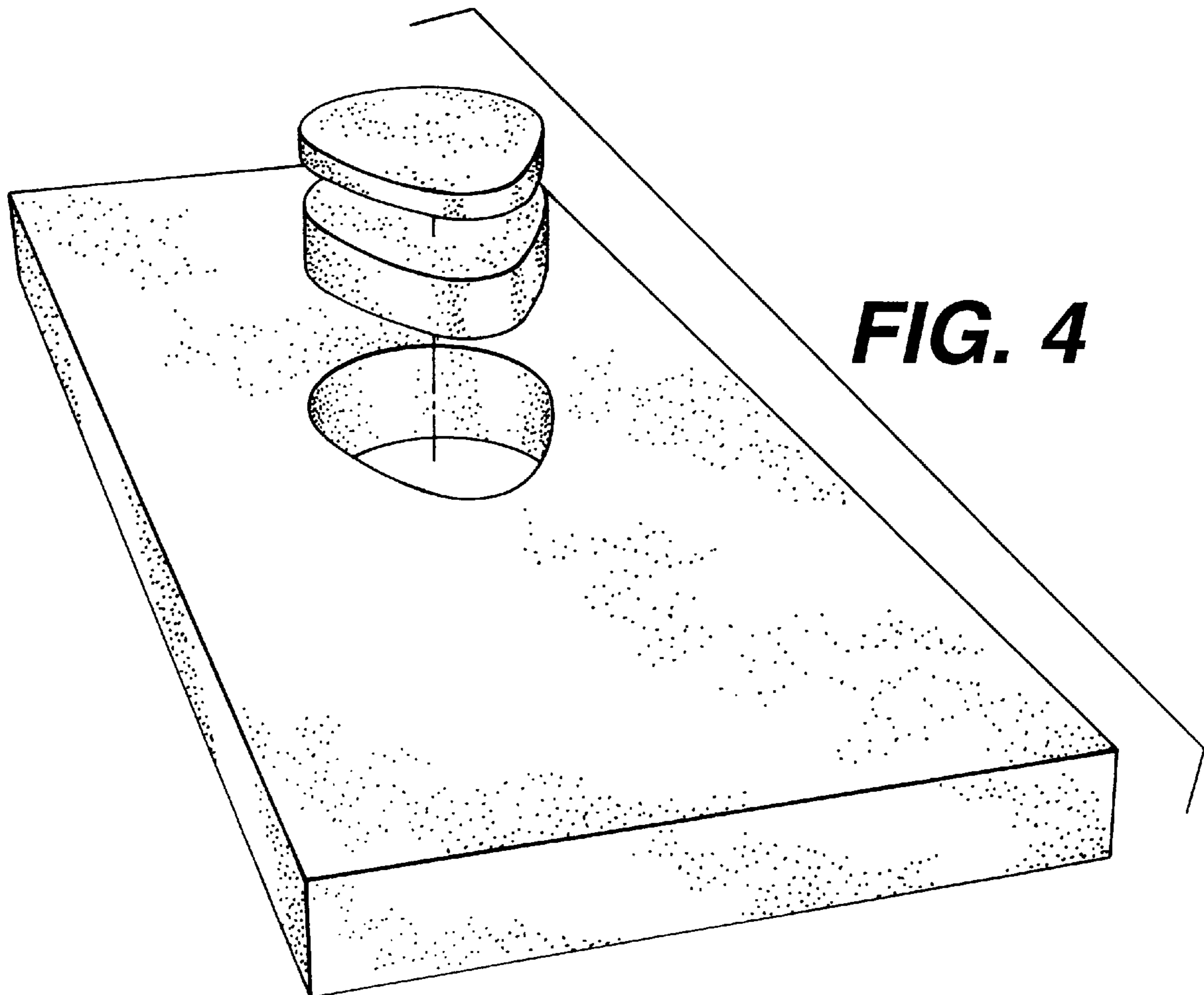
**FIG. 1**



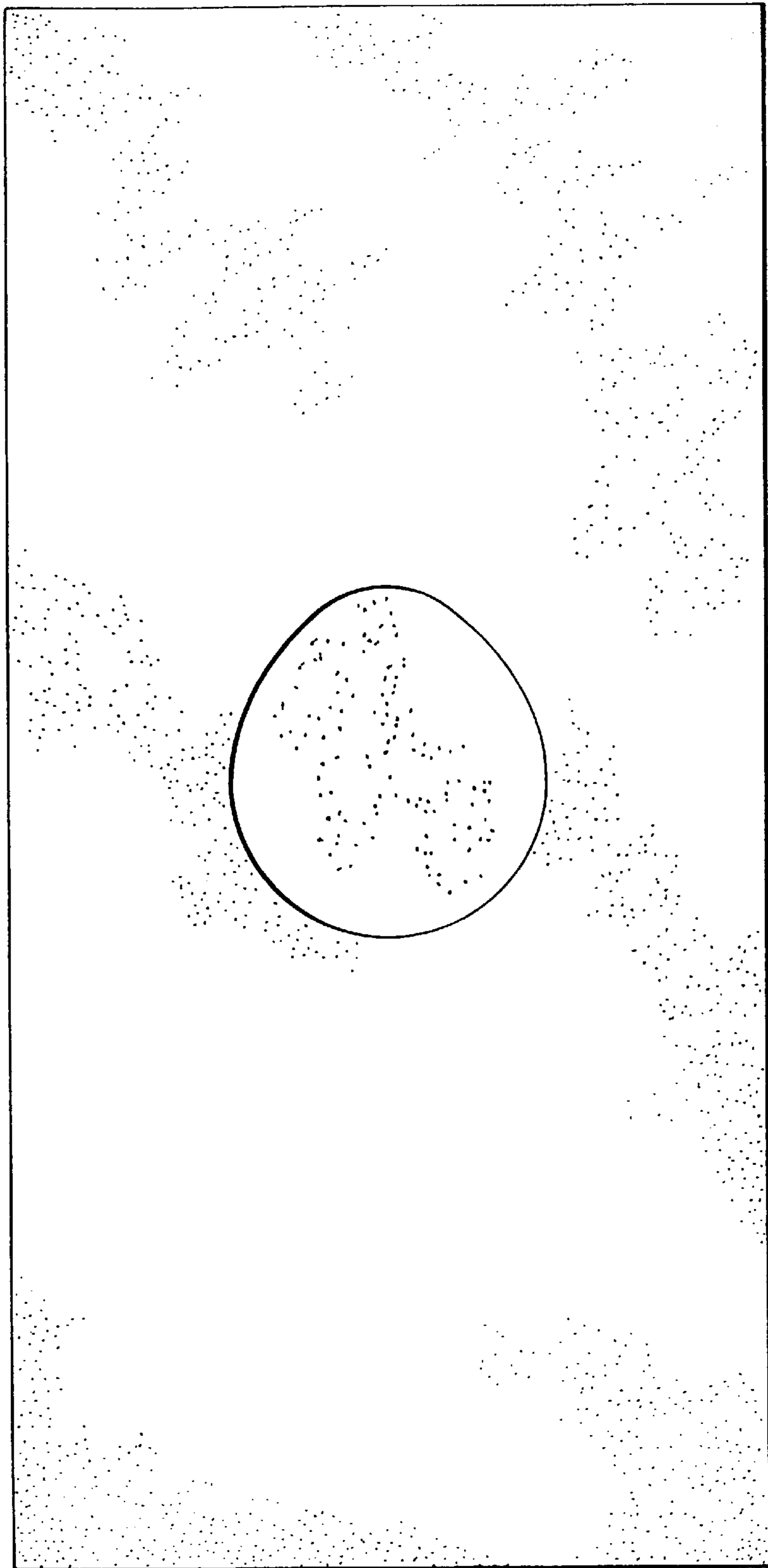
**FIG. 2**



**FIG. 3**



**FIG. 4**



**FIG. 5**