



US00D411932S

United States Patent [19]
McClendon

[11] **Patent Number: Des. 411,932**
[45] **Date of Patent: ** Jul. 13, 1999**

[54] **ONE UNIT SET OF LINEN AND BEDDING APPAREL WITH DETACHABLE PARTS**

[75] Inventor: **Virginia Sue McClendon**, 1188 Saxon St., Memphis, Tenn. 38106

[73] Assignee: **Virginia Sue McClendon**, Memphis, Tenn.

[**] Term: **14 Years**

[21] Appl. No.: **29/072,465**

[22] Filed: **Jun. 18, 1997**

[51] **LOC (6) Cl.** **06-13**

[52] **U.S. Cl.** **D6/595**

[58] **Field of Search** D6/595, 596, 601-603; 5/482, 486, 495-500, 502

[56] **References Cited**

U.S. PATENT DOCUMENTS

2,139,980 12/1938 Simon D6/603
4,014,055 3/1977 Torres 5/485

5,127,115 7/1992 Williams et al. 5/497
5,271,112 12/1993 Bible et al. 5/482 X
5,335,383 8/1994 Schmind 5/482 X
5,353,456 10/1994 Evans 5/482
5,621,931 4/1997 Hamilton 5/482

Primary Examiner—Janice E. Seeger

[57] **CLAIM**

The ornamental design for a one unit set of linen and bedding apparel with detachable parts, as shown and described.

DESCRIPTION

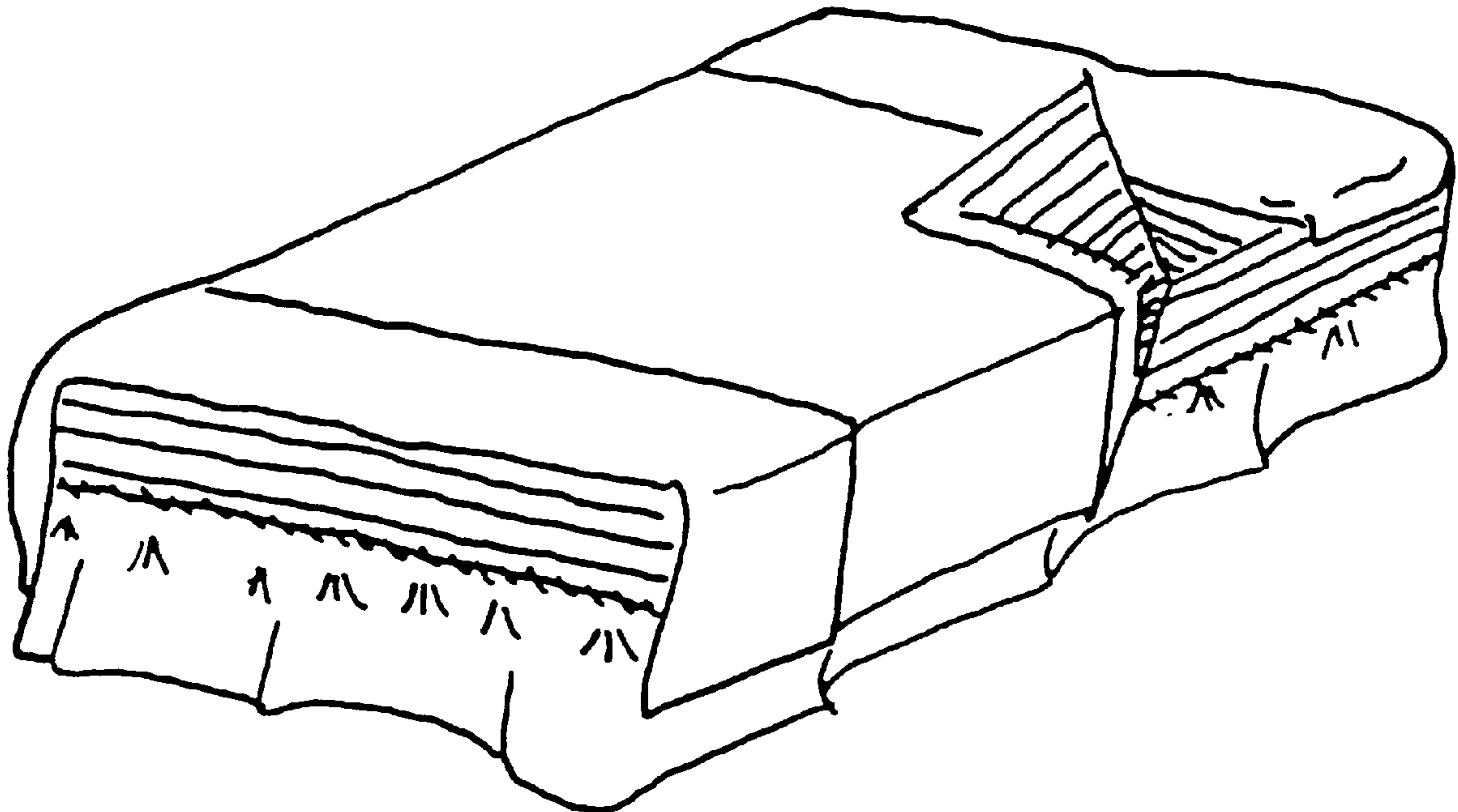
FIG. 1 is a rear perspective view of a one unit set of linen and bedding apparel with detachable parts, showing my new design; and showing the top sheet, fitted sheet and dust ruffle are attached along the width of the bed;

FIG. 2 is a top plan view; with the top sheet pulled open;

FIG. 3 is a top plan view of the pillow cases, which are attachable to the top portion of the fitted sheet; and,

FIG. 4 is a bottom plan view, with the top sheet pulled open.

1 Claim, 2 Drawing Sheets



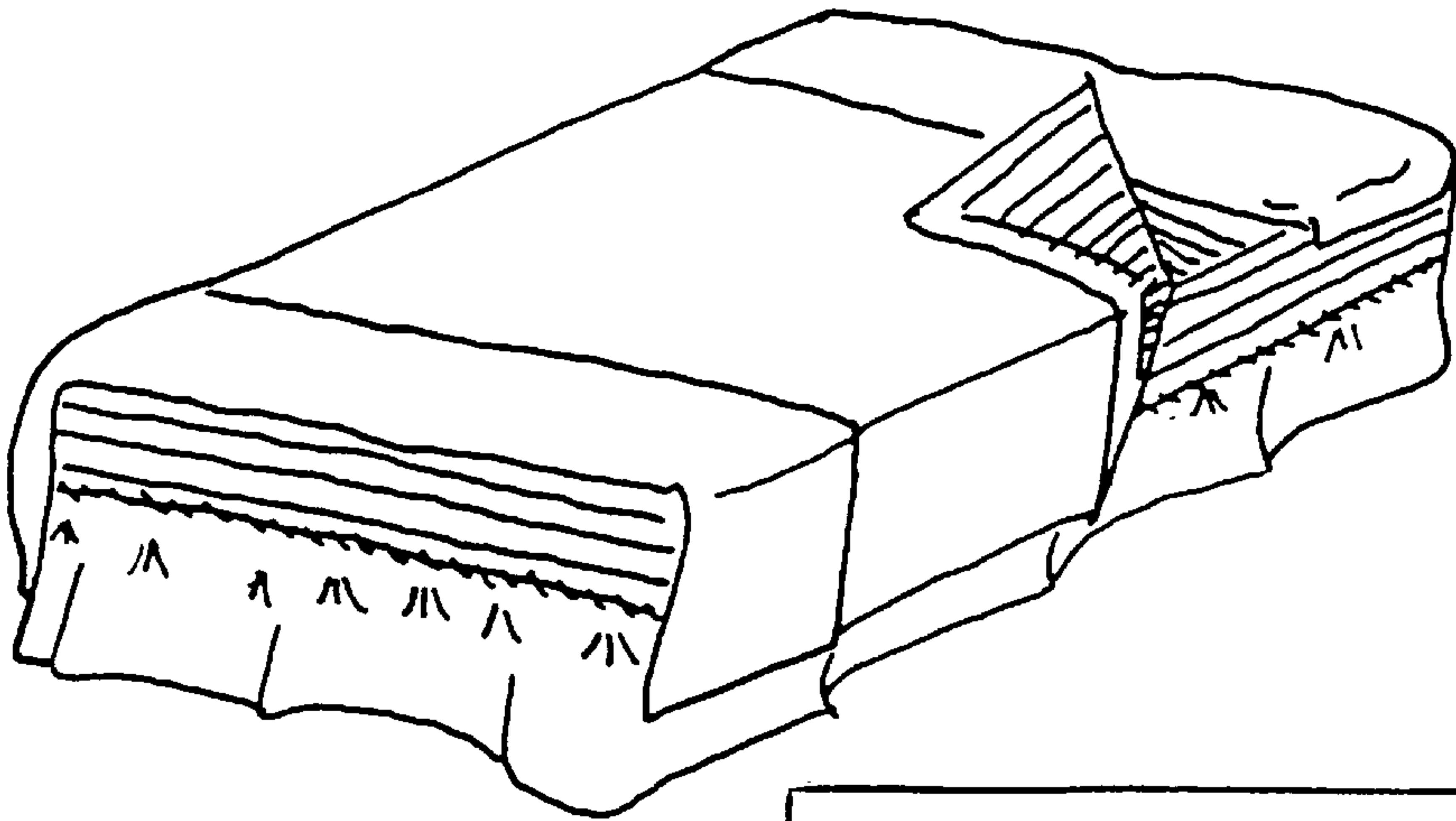


FIG. 1

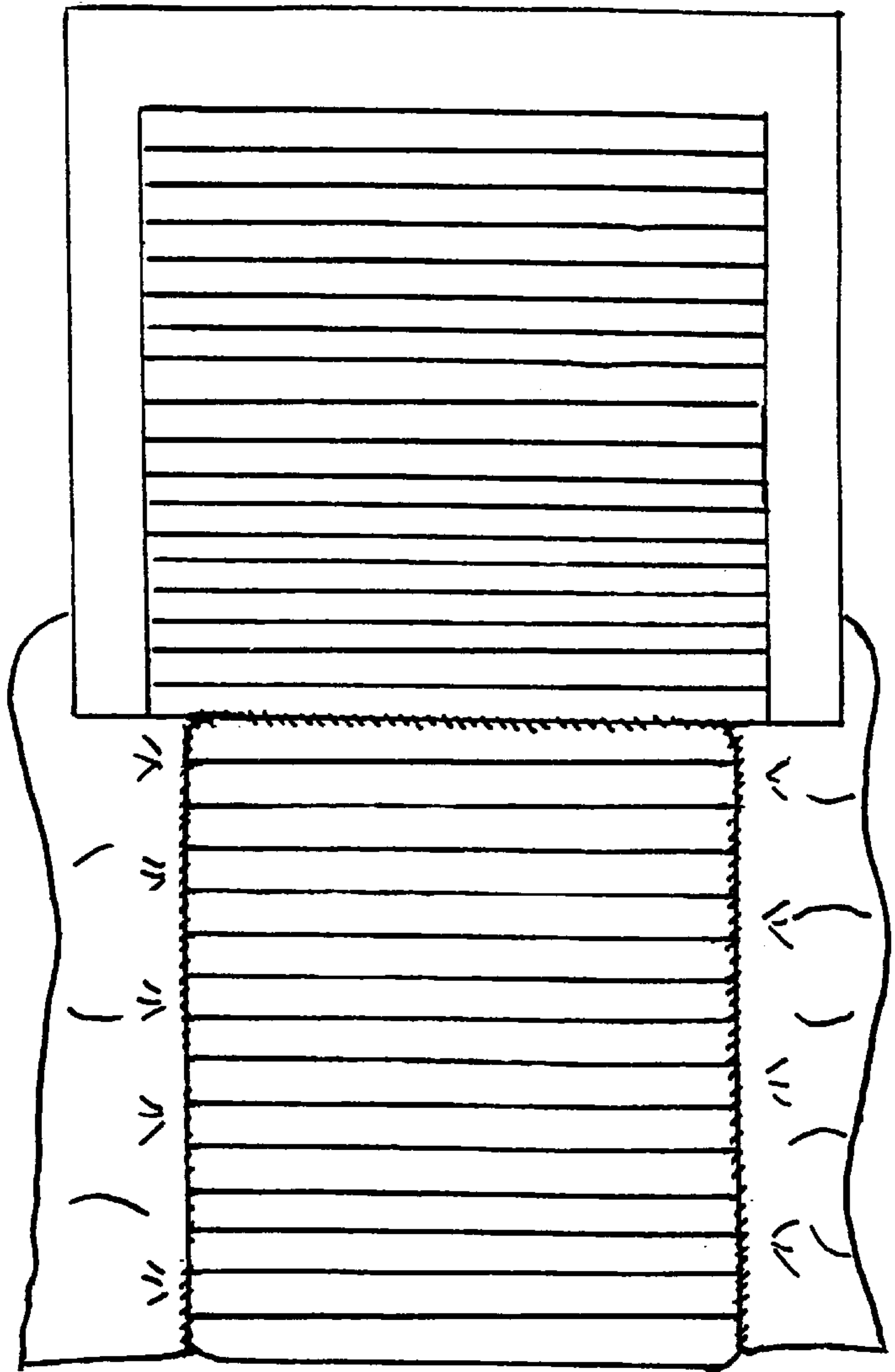


FIG. 2

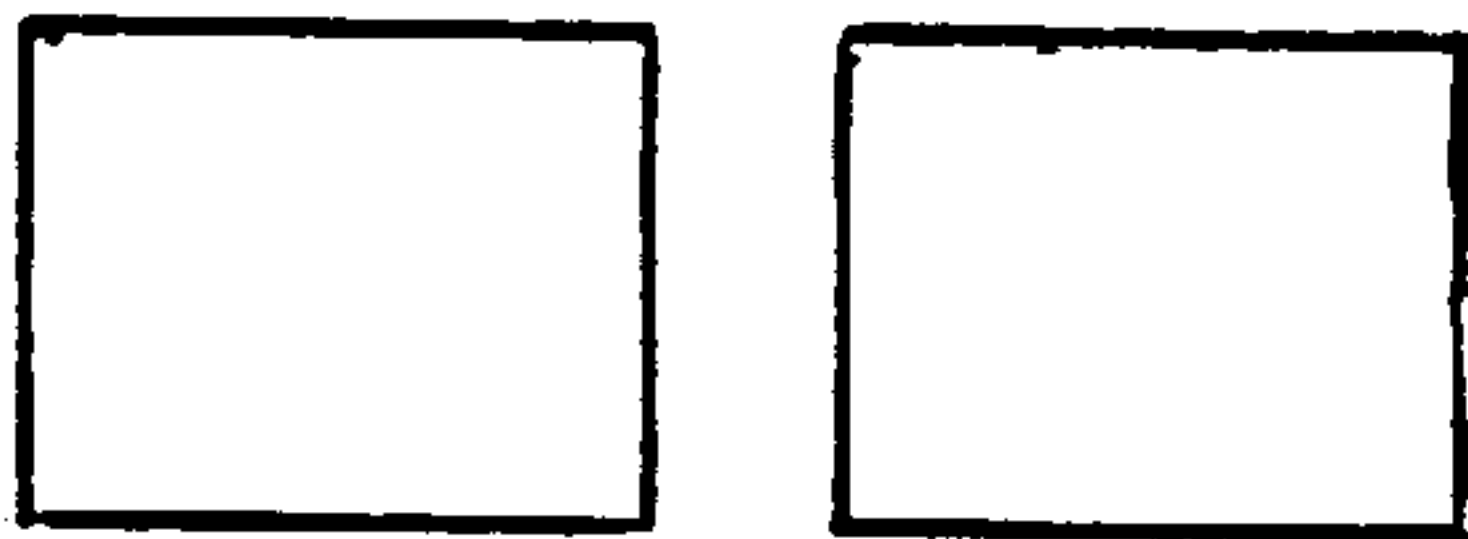


FIG. 3

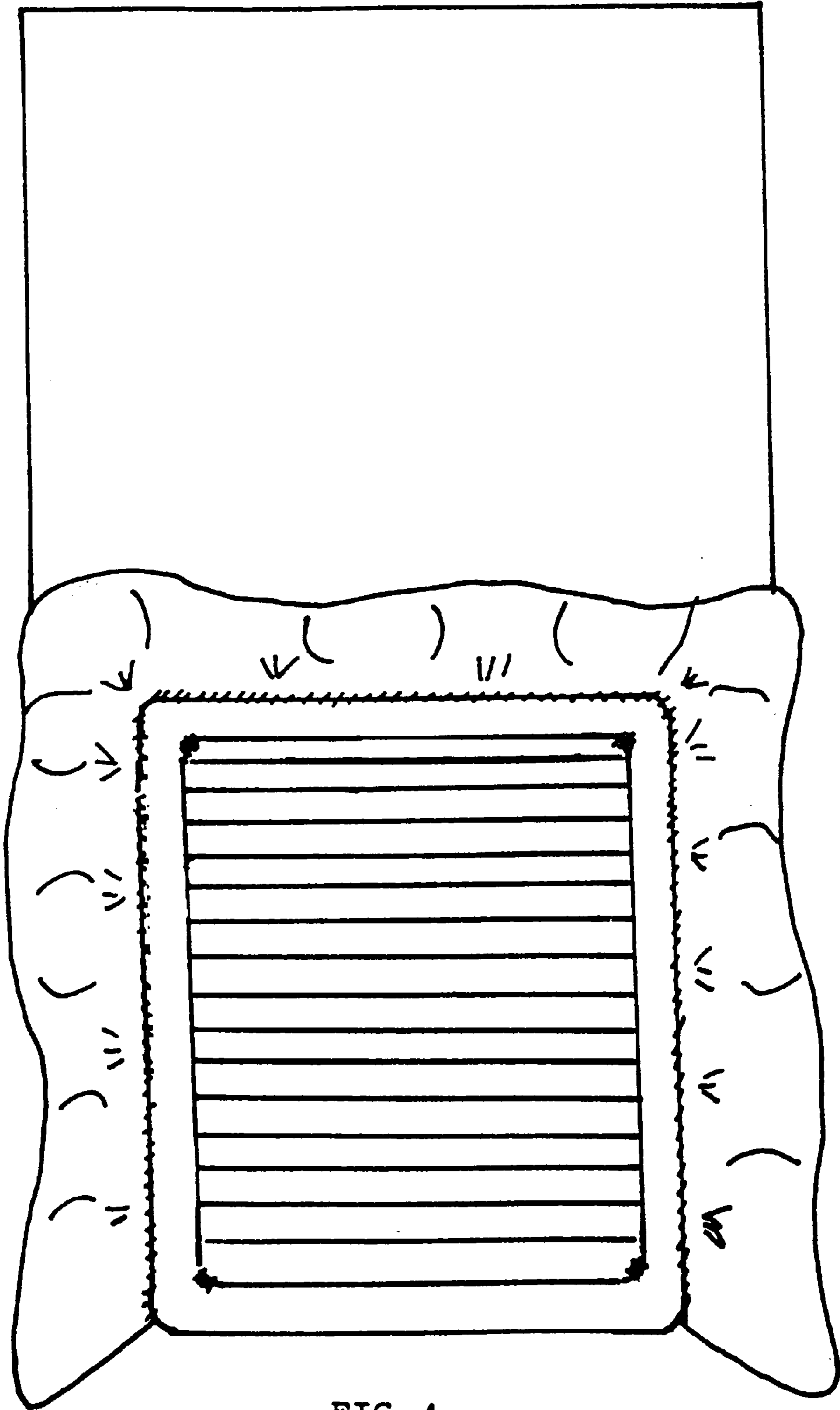


FIG. 4