



US00D411931S

# United States Patent [19]

[11] **Patent Number: Des. 411,931**

**Hartmann et al.**

[45] **Date of Patent: \*\* Jul. 13, 1999**

[54] **ARTICLE HOLDER**

5,588,055 12/1996 Williamson et al. .... 379/446  
5,661,798 8/1997 Chen ..... 379/454

[75] Inventors: **Jerome Hartmann**, Carlisle; **Thomas R. Steinhagen**, West Des Moines, both of Iowa

*Primary Examiner*—Brian N. Vinson  
*Attorney, Agent, or Firm*—Dick and Harris

[73] Assignee: **Cobbs Manufacturing Company**, Des Moines, Iowa

[57] **CLAIM**

The ornamental design for a article holder, as shown.

[\*\*] Term: **14 Years**

**DESCRIPTION**

[21] Appl. No.: **29/078,811**

FIG. 1 is a perspective view of the article holder showing a new ornamental design therefor;

[22] Filed: **Nov. 3, 1997**

FIG. 2 is a front elevation view thereof, showing the side extensions in the retracted position and the gripper fingers in a generally upward-pointing orientation;

[51] **LOC (6) Cl.** ..... **08-08**

[52] **U.S. Cl.** ..... **D6/553**

[58] **Field of Search** ..... D6/553, 567-574;  
D14/251, 254, 253; 211/13.1, 71, 72, 86-89;  
248/200, 205.1, 309.1

FIG. 3 is a left side elevation view thereof, showing the side extensions in the retracted position and the gripper fingers in a generally upward-pointing orientation;

FIG. 4 is a top plan view thereof, showing the side extensions in the retracted position and the gripper fingers in a generally upward-pointing orientation;

[56] **References Cited**

**U.S. PATENT DOCUMENTS**

D. 309,307	7/1990	Sigurdson	.....	D14/251
D. 320,022	9/1991	Watanabe et al.	.....	D6/567 X
D. 321,885	11/1991	Sheldrake	.....	D6/567 X
D. 328,216	7/1992	Steed	.....	D6/567
D. 361,462	8/1995	Newham	.....	D6/567
D. 365,566	12/1995	Cantrell	.....	D14/253
D. 365,567	12/1995	Cantrell	.....	D14/253
D. 371,137	6/1996	Kriegh	.....	D14/253
D. 372,189	7/1996	Andis et al.	.....	D8/373 X
D. 379,463	5/1997	Richter	.....	D14/253
D. 396,160	7/1998	Huang	.....	D6/567
4,248,340	2/1981	Hild	.....	198/711
5,033,709	7/1991	Yuen	.....	248/313
5,040,712	8/1991	Pesonen et al.	.....	224/42.45 R
5,060,260	10/1991	O'Connell	.....	379/454
5,071,012	12/1991	Jailor	.....	211/13.1 X
5,121,863	6/1992	Kotitalo et al.	.....	224/42.45 R
5,222,132	6/1993	Rioux, Jr.	.....	379/455
5,305,381	4/1994	Wang et al.	.....	379/455
5,367,570	11/1994	Figueroa	.....	379/434
5,396,556	3/1995	Chen	.....	379/446
5,414,770	5/1995	Wang	.....	379/446
5,568,549	10/1996	Wang	.....	379/446
5,583,935	12/1996	Dunchock	.....	379/454

FIG. 5 is a bottom plan view thereof, showing the side extensions in the retracted position and the gripper fingers in a generally upward-pointing orientation;

FIG. 6 is a top plan view thereof, showing the side extensions in the extended position and the gripper fingers in a generally upward-pointing orientation;

FIG. 7 is a rear elevation view thereof, showing the side extensions in the retracted position and the gripper fingers in a generally upward-pointing orientation;

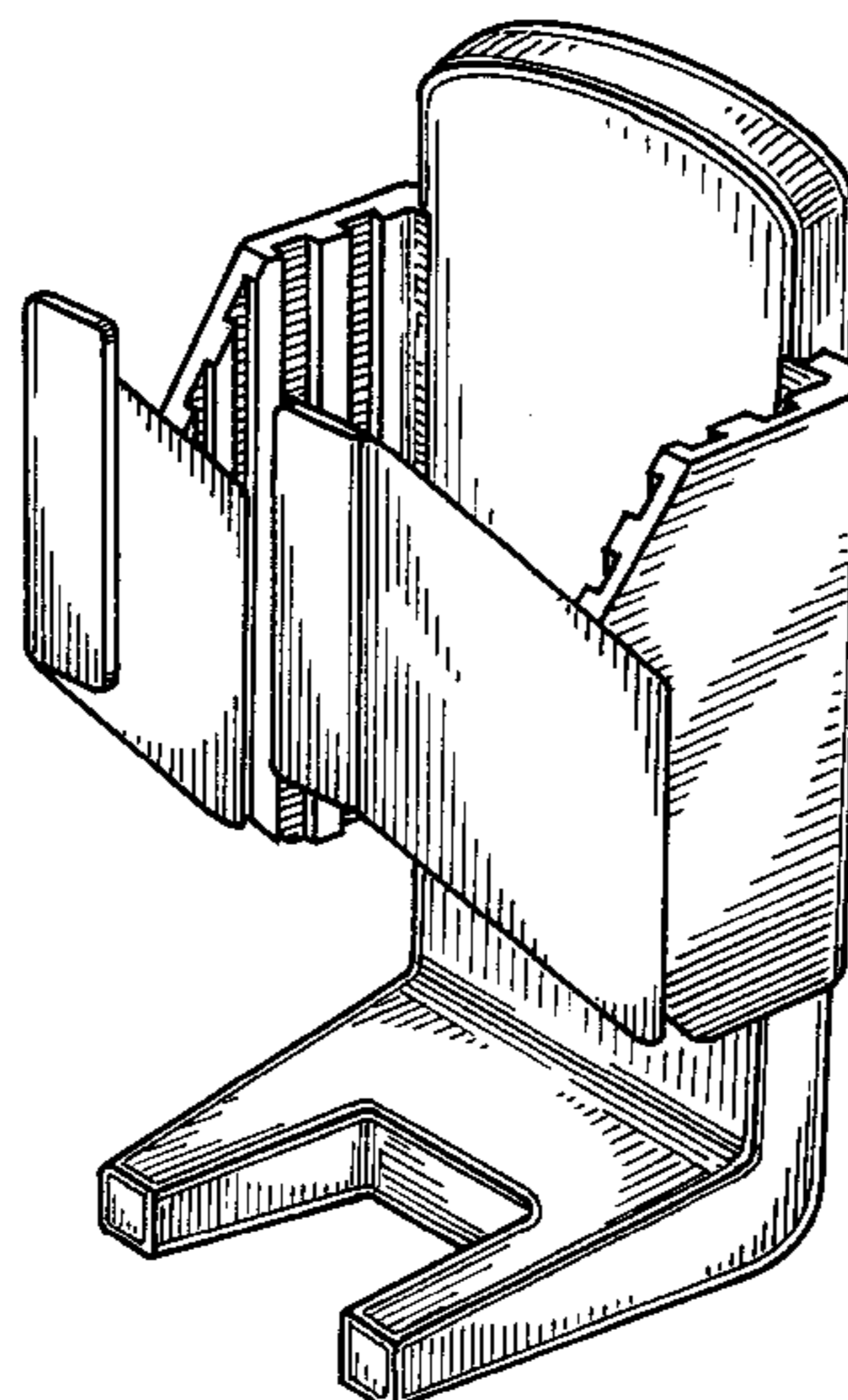
FIG. 8 is a front elevation view thereof, showing the side extensions in the extended position and the gripper fingers in a generally upward-pointing orientation;

FIG. 9 is a front elevation view thereof, showing the side extensions in the retracted position and the gripper fingers in a generally downward-pointing orientation; and,

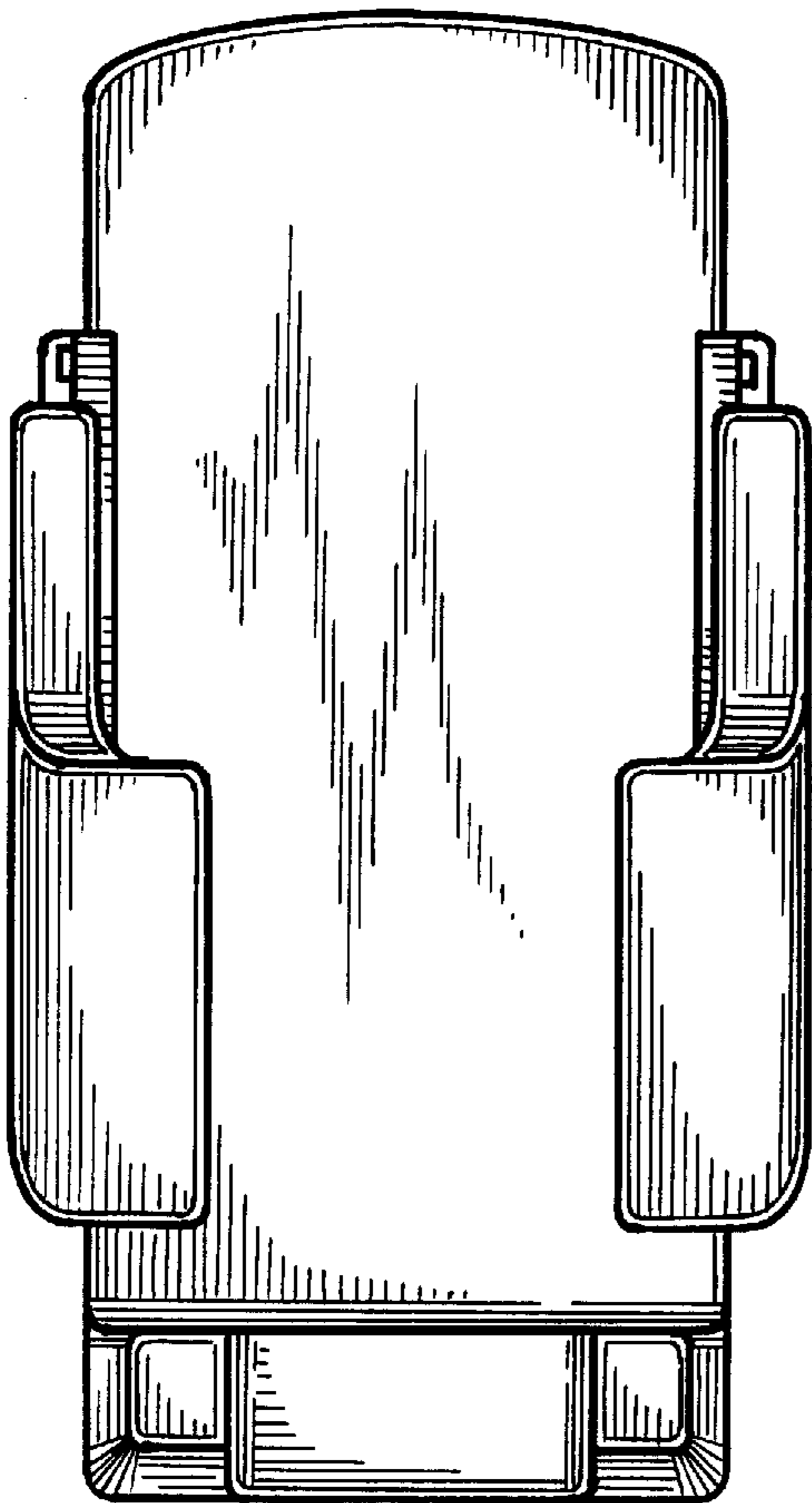
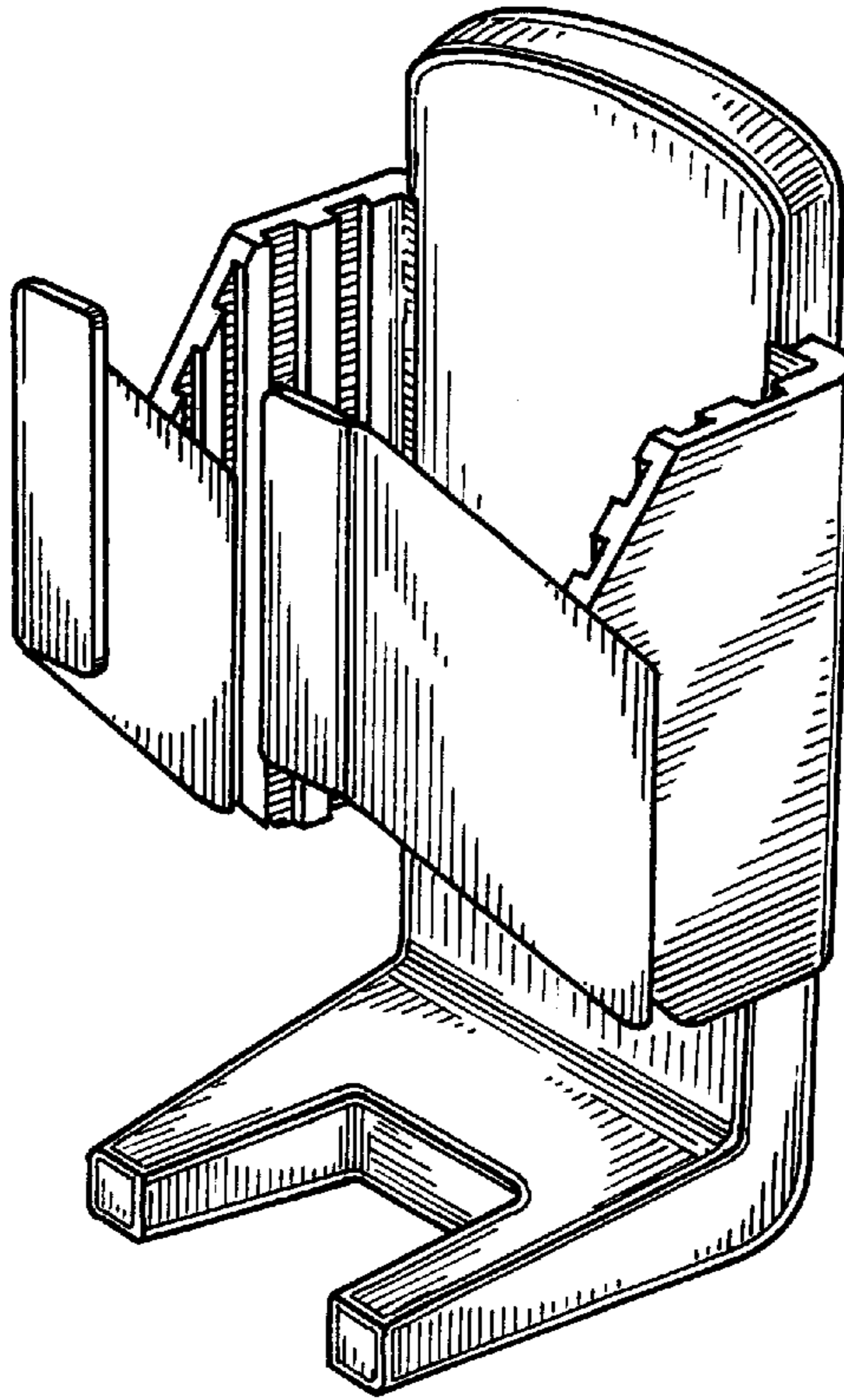
FIG. 10 is a left side elevation view thereof, showing the gripper fingers in a generally downward-pointing orientation.

The subject matter indicated by dashed lines in the drawings is shown for reference only and does not comprise part of the claimed ornamental design.

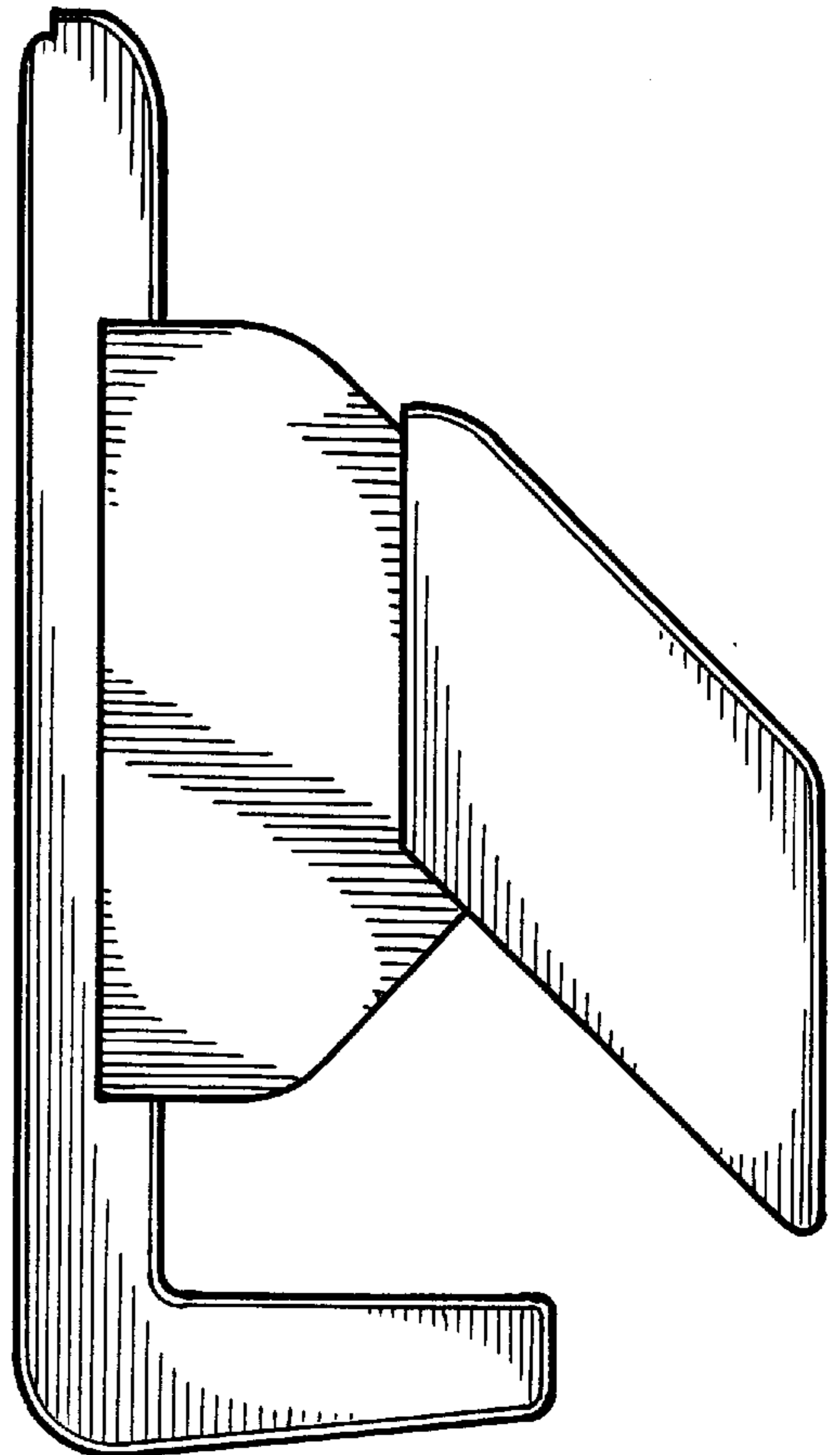
**1 Claim, 3 Drawing Sheets**



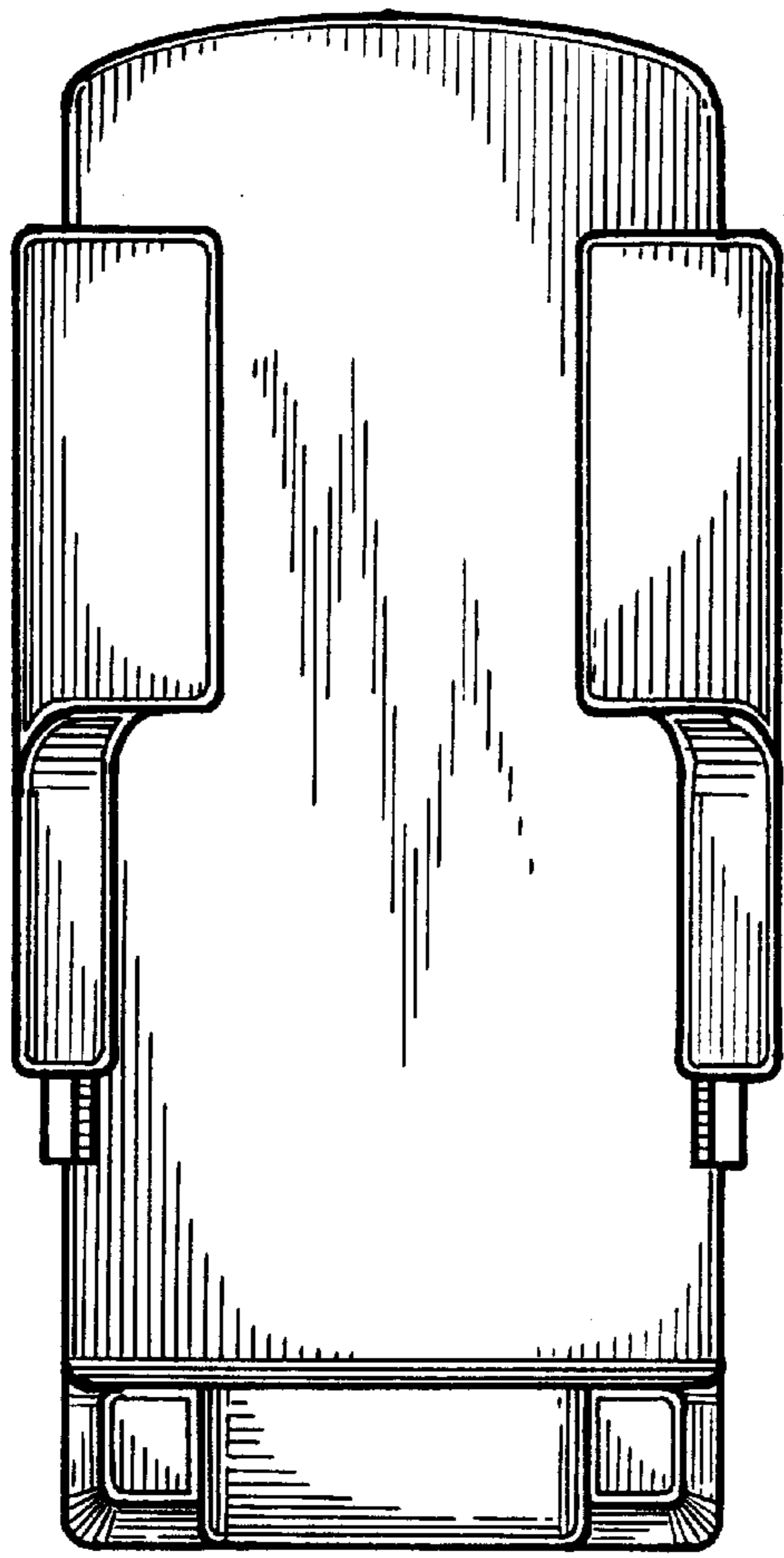
*Fig 1*



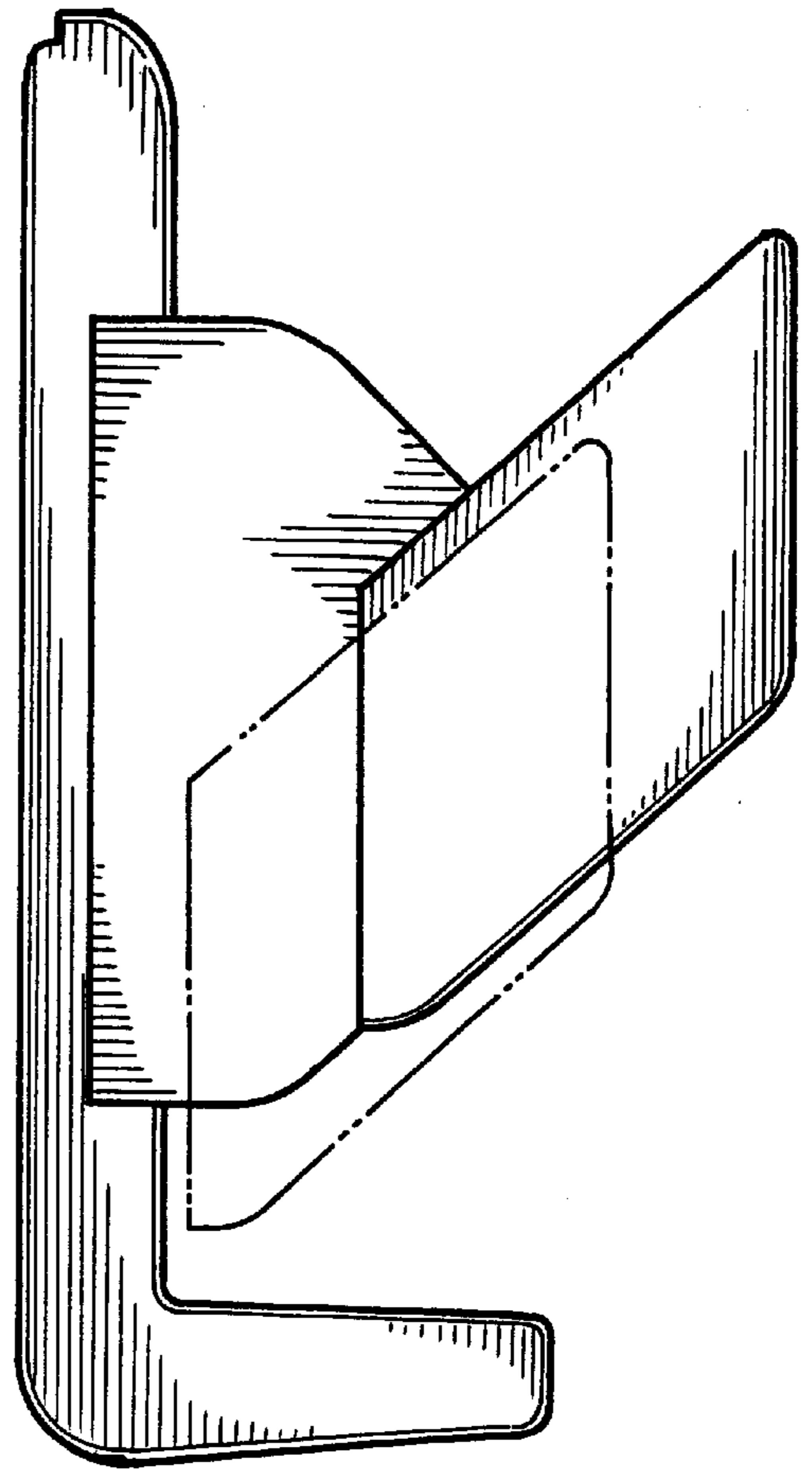
*Fig 9*



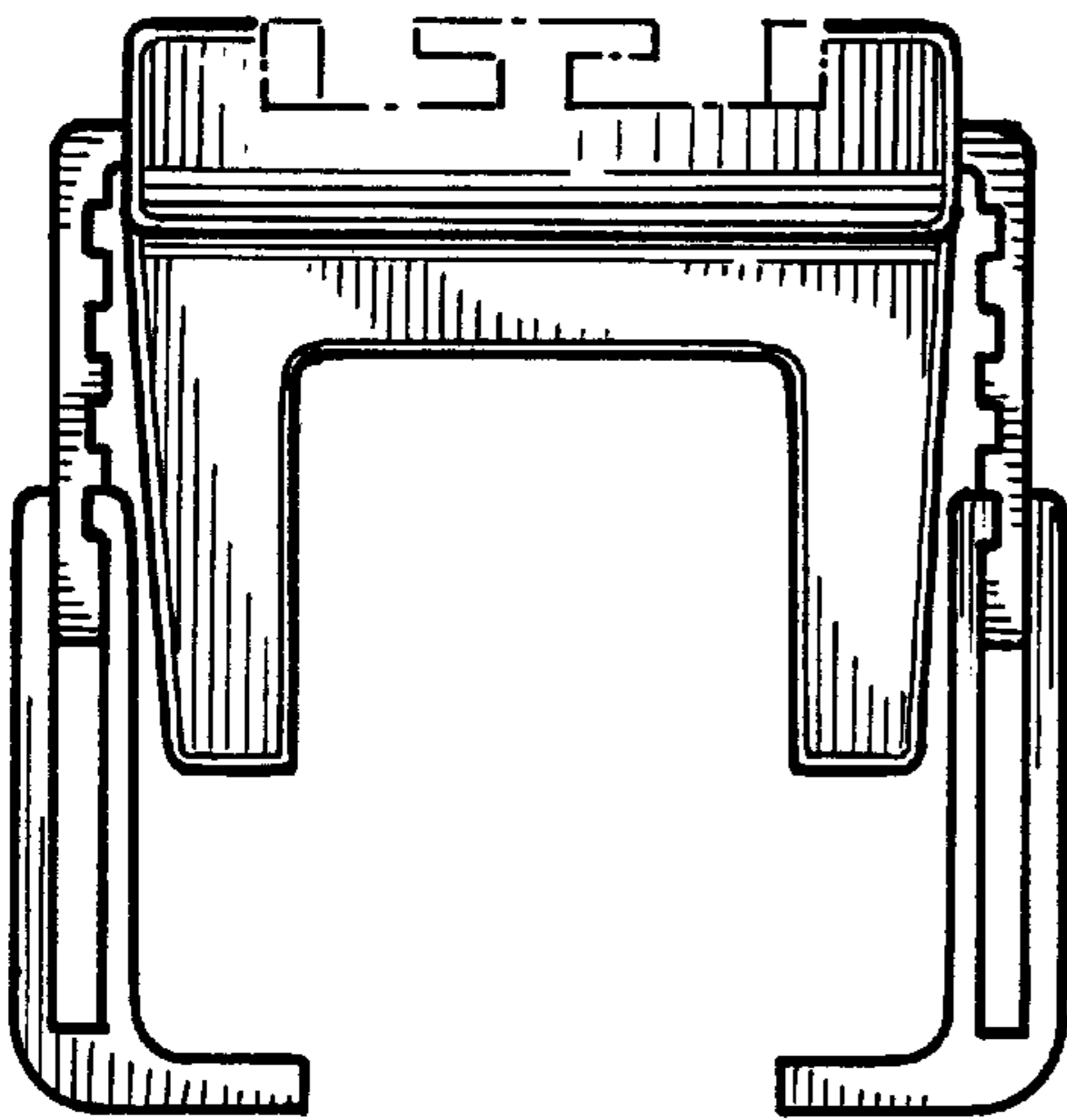
*Fig 10*



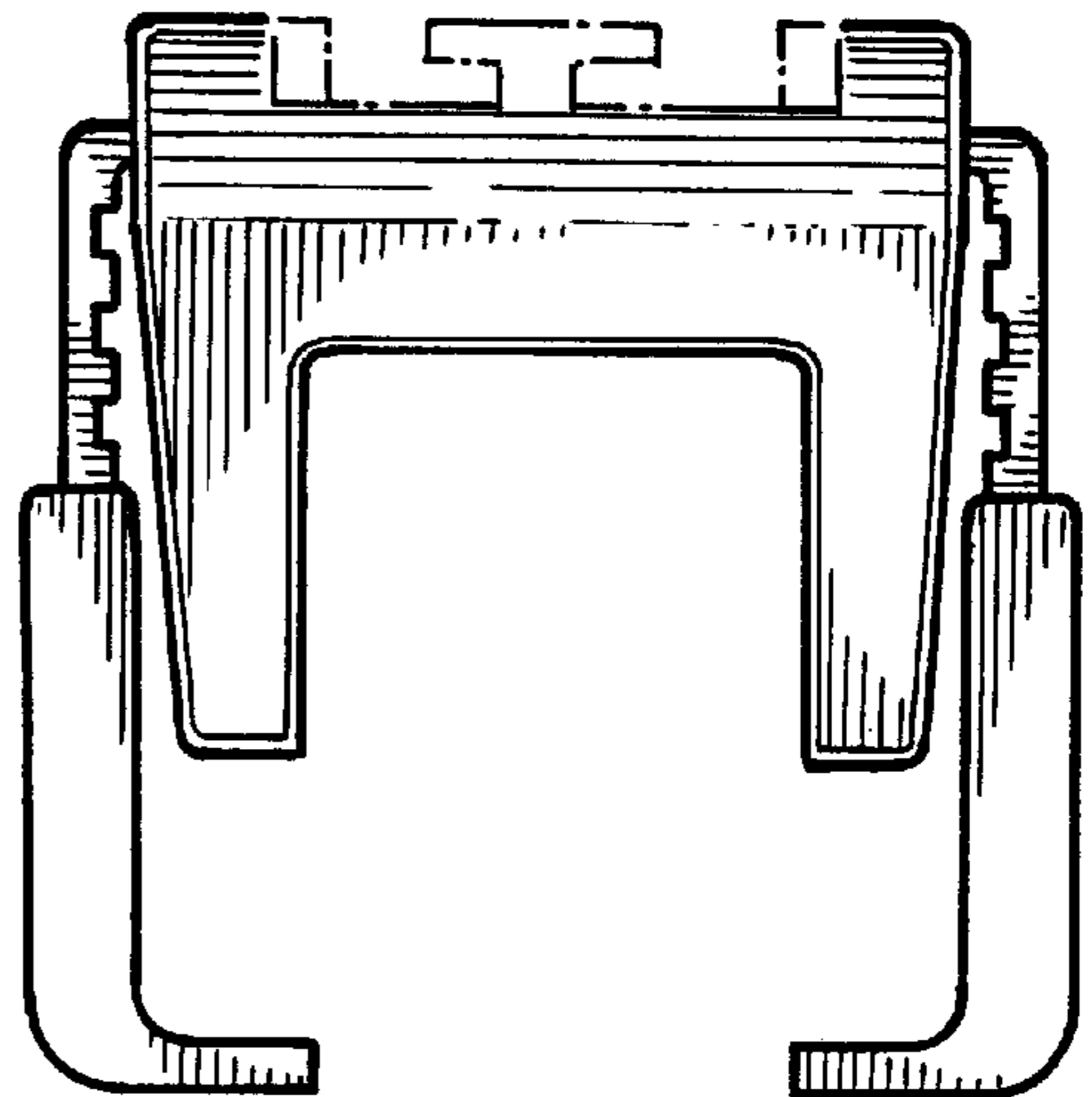
*Fig 2*



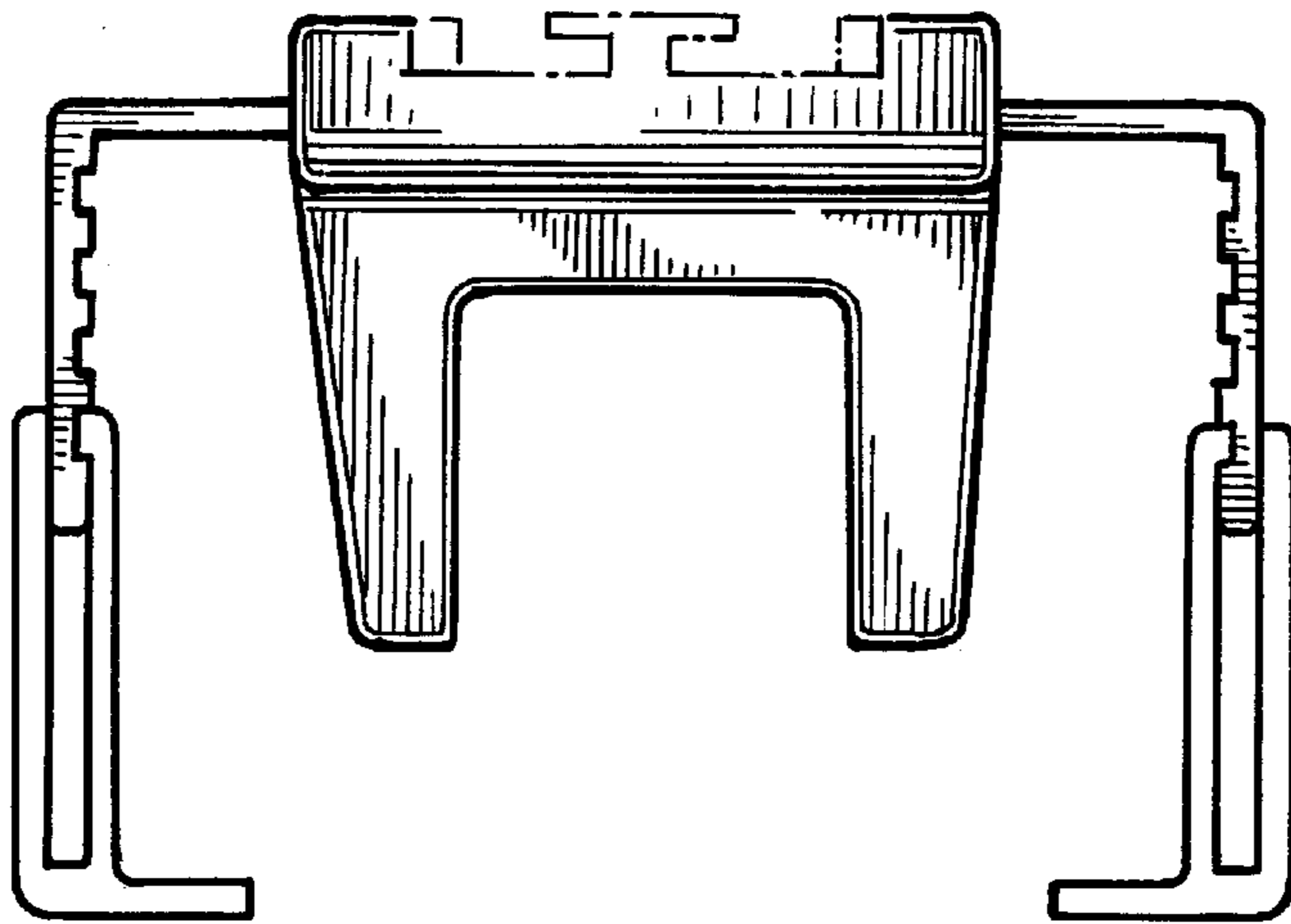
*Fig 3*



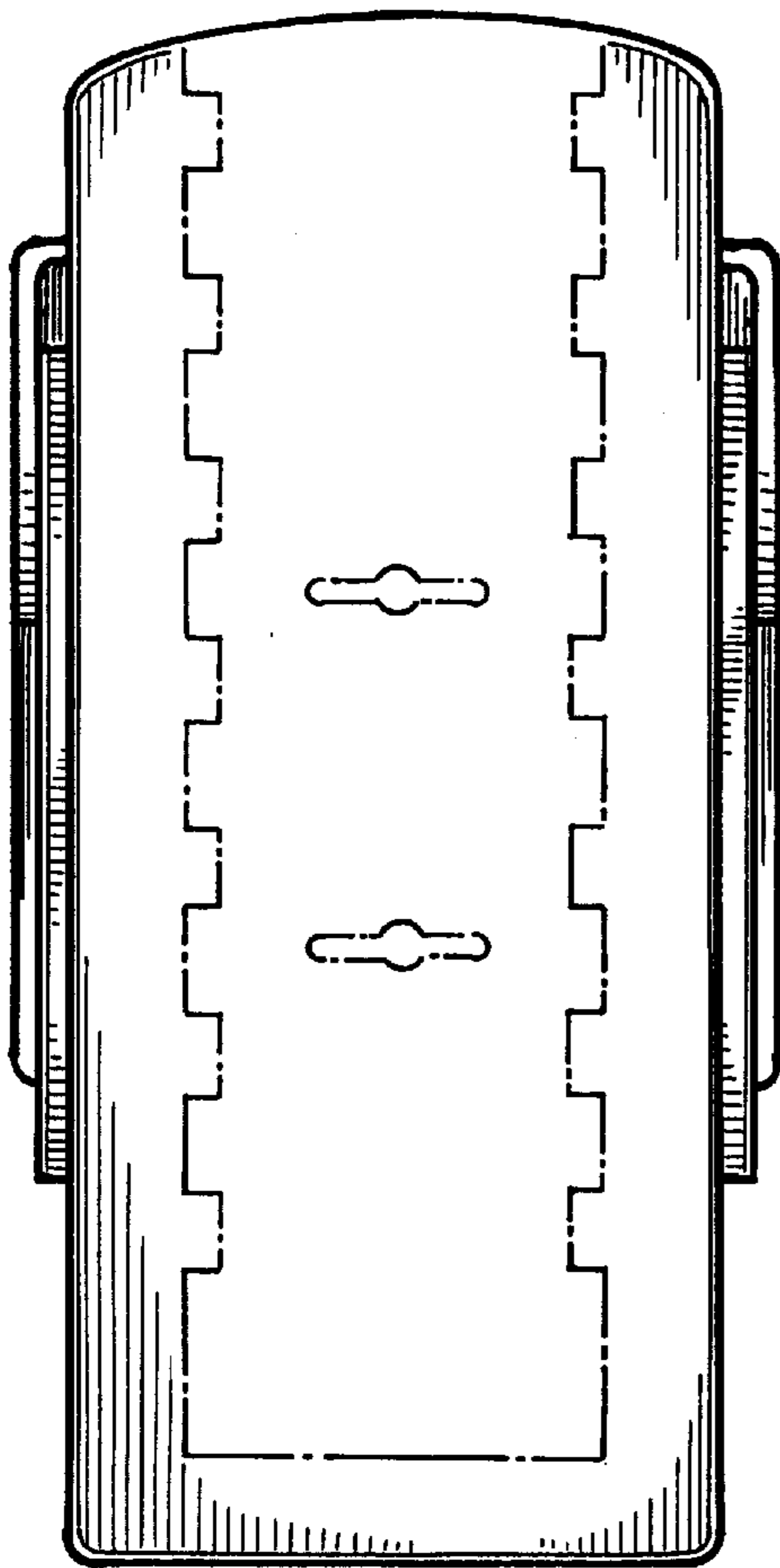
*Fig 4*



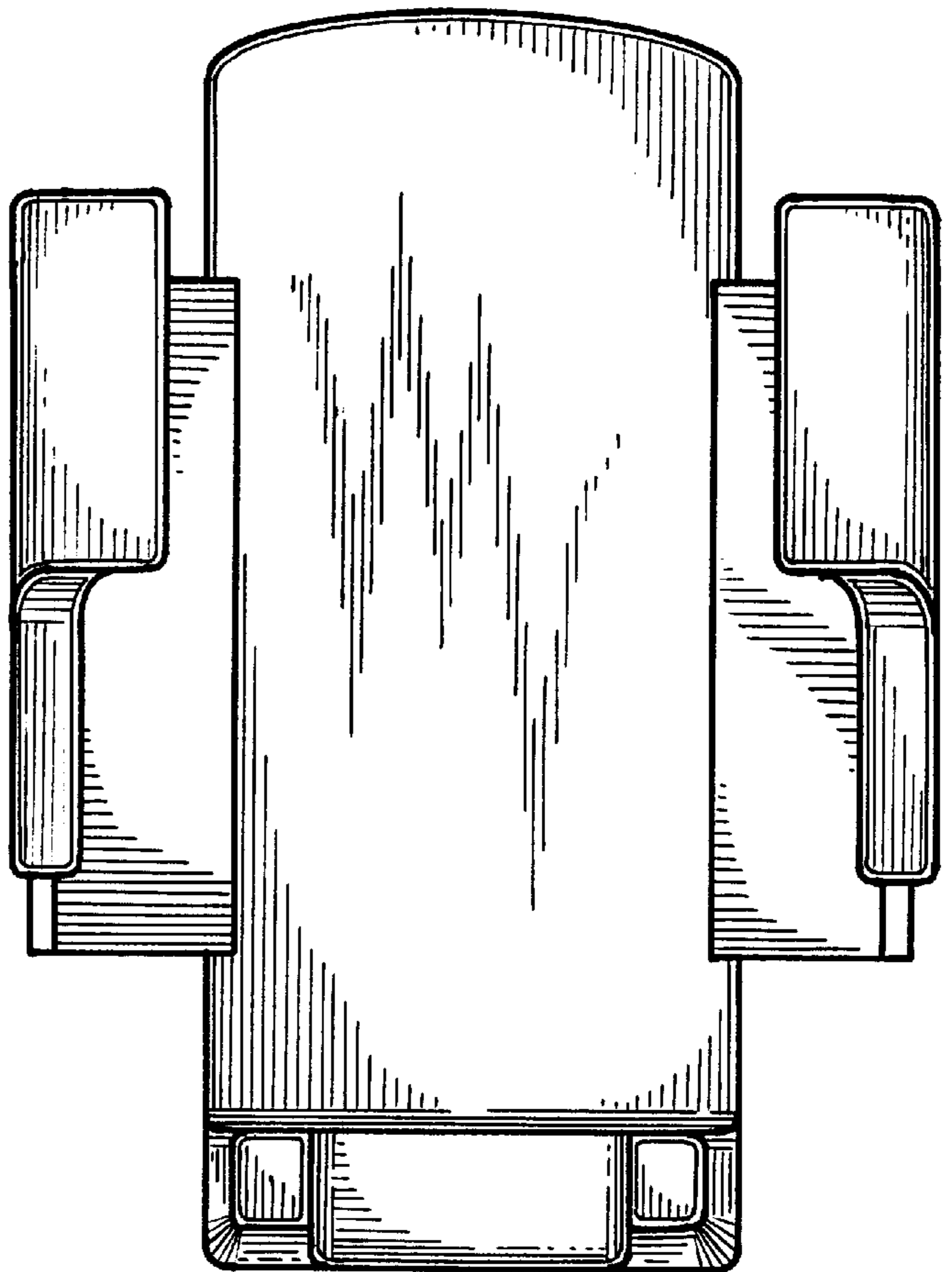
*Fig 5*



*Fig 6*



*Fig 7*



*Fig 8*