



US00D411929S

United States Patent [19] Stumpf

[11] **Patent Number: Des. 411,929**

[45] **Date of Patent: ** Jul. 13, 1999**

[54] **CHAIR ARMREST COMPONENT**

[75] Inventor: **William S. Stumpf**, Waterloo, Canada

[73] Assignee: **Northfield Metal Products Ltd.**,
Waterloo, Canada

[**] Term: **14 Years**

[21] Appl. No.: **29/088,959**

[22] Filed: **Jun. 4, 1998**

[51] **LOC (6) Cl. 06-06**

[52] **U.S. Cl. D6/501; D6/366**

[58] **Field of Search** D6/366-368, 500-502,
D6/495, 498, 372, 373, 379, 364, 365;
297/411.2, 411.4, 411.44, 411.36, 450.1,
452.11, 452.21, 452.29, 463.1, 230.1, 230.12,
284.1, 284.4

[56] **References Cited**

U.S. PATENT DOCUMENTS

D. 210,364 3/1968 Lindberg D6/368
D. 399,664 10/1998 Goodworth et al. D6/366

5,318,347 6/1994 Tseng 297/411.2
5,368,365 11/1994 Feldberg 297/411.36
5,664,842 9/1997 Tseng 397/411.36
5,735,577 4/1998 Lin 297/411.36
5,769,497 6/1998 Tsai 297/411.36

Primary Examiner—Jeffrey Asch

Attorney, Agent, or Firm—Wood, Herron & Evans, LLP

[57] **CLAIM**

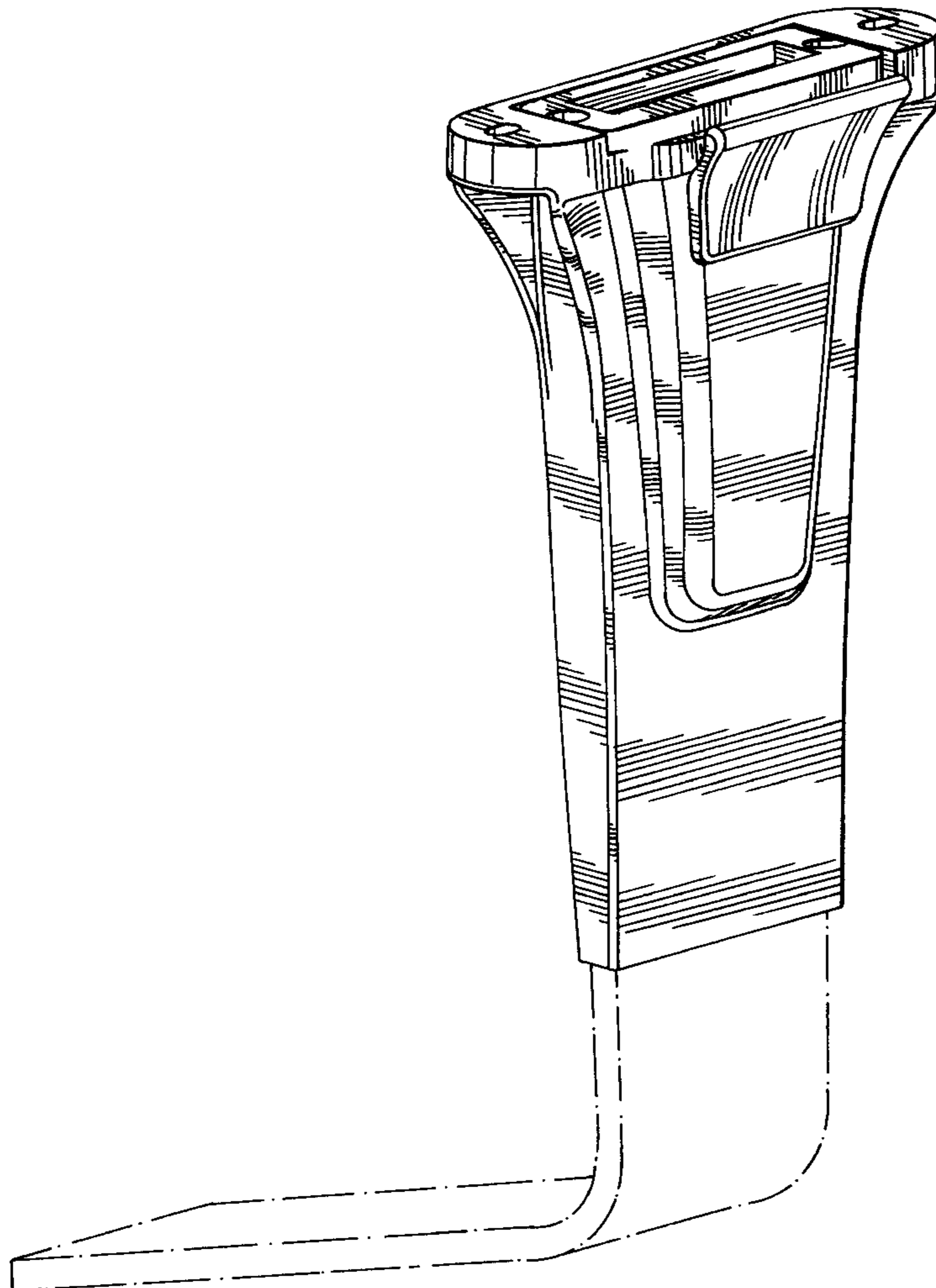
The ornamental design for a chair armrest component, as shown and described.

DESCRIPTION

FIG. 1 is a right side perspective view of the design;
FIG. 2 is a left side view of the design;
FIG. 3 is a top view of the design;
FIG. 4 is a front view of the design;
FIG. 5 is a rear view of the design; and,
FIG. 6 is a bottom view of the design.

The broken line showings throughout the views are for illustrative purposes only and form no part of the claimed design.

1 Claim, 6 Drawing Sheets



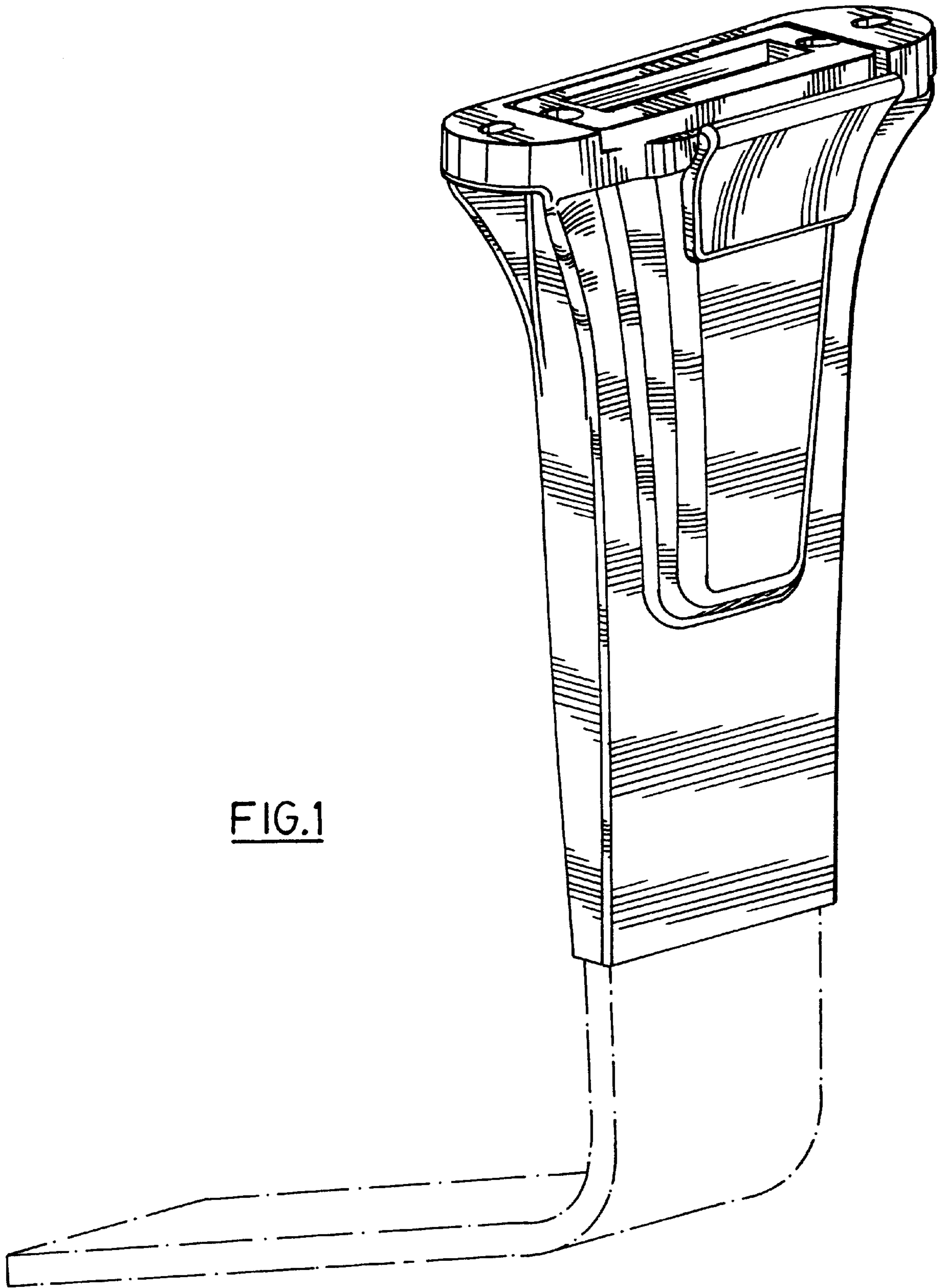


FIG. 1

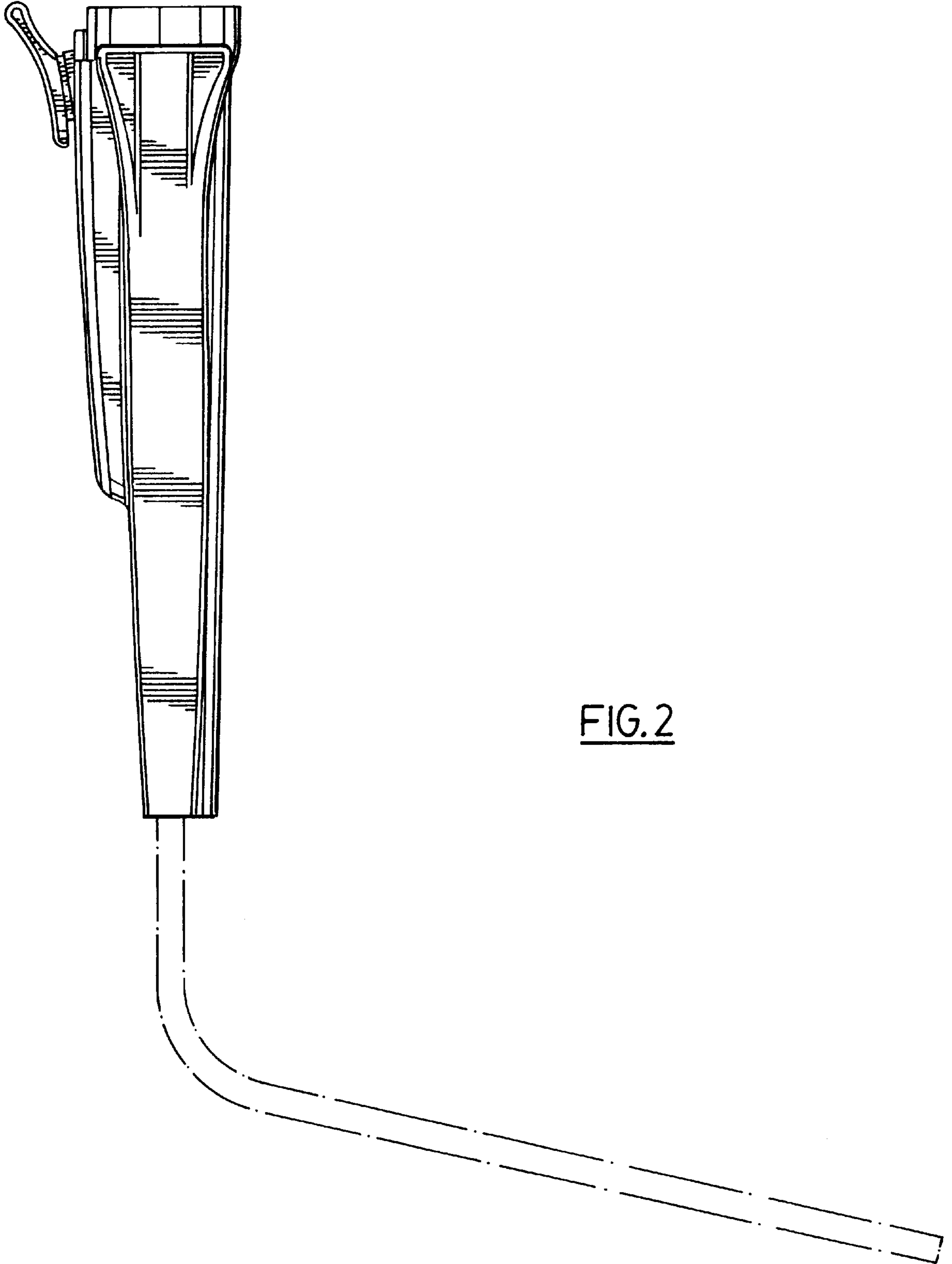


FIG. 2

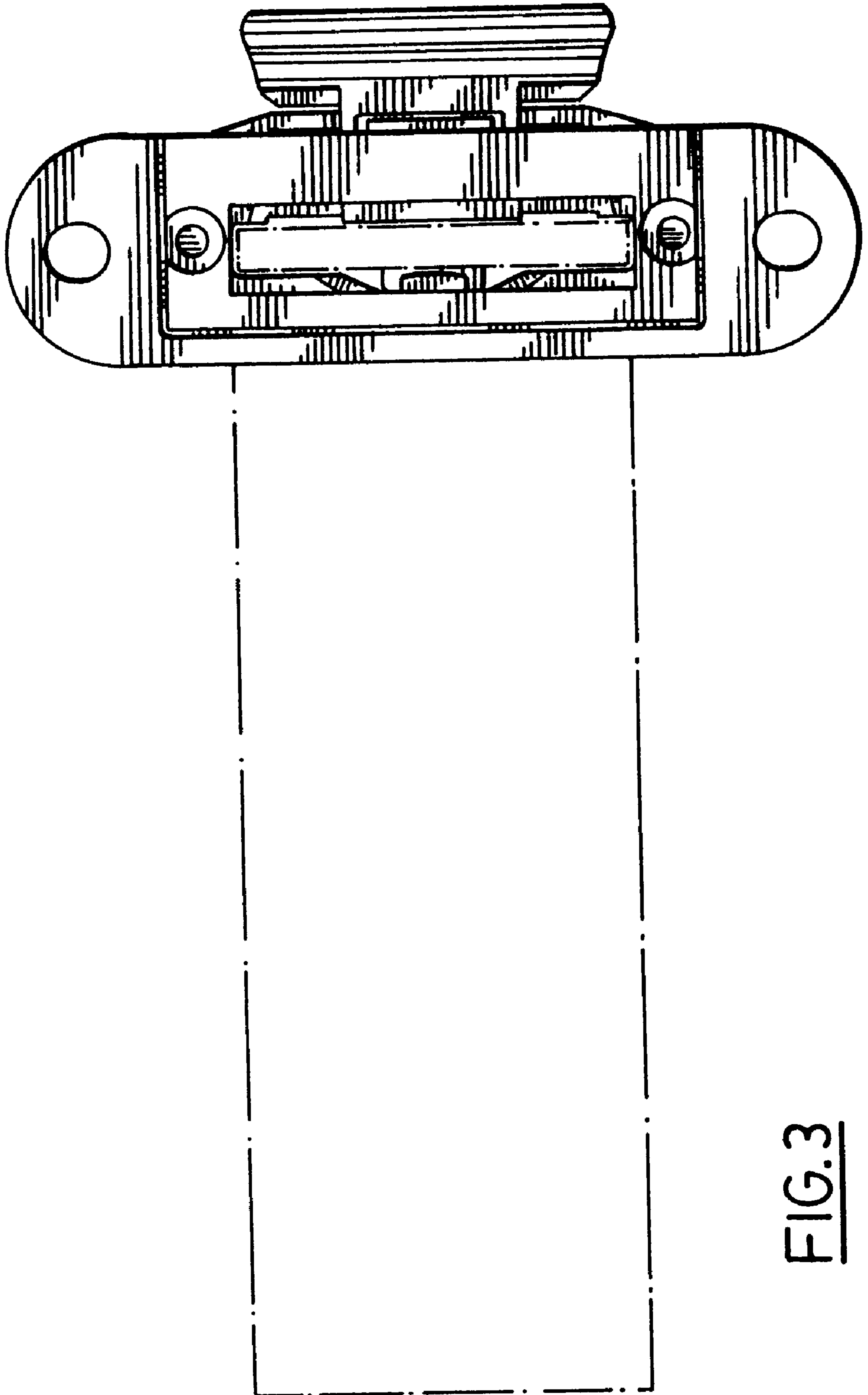


FIG. 3

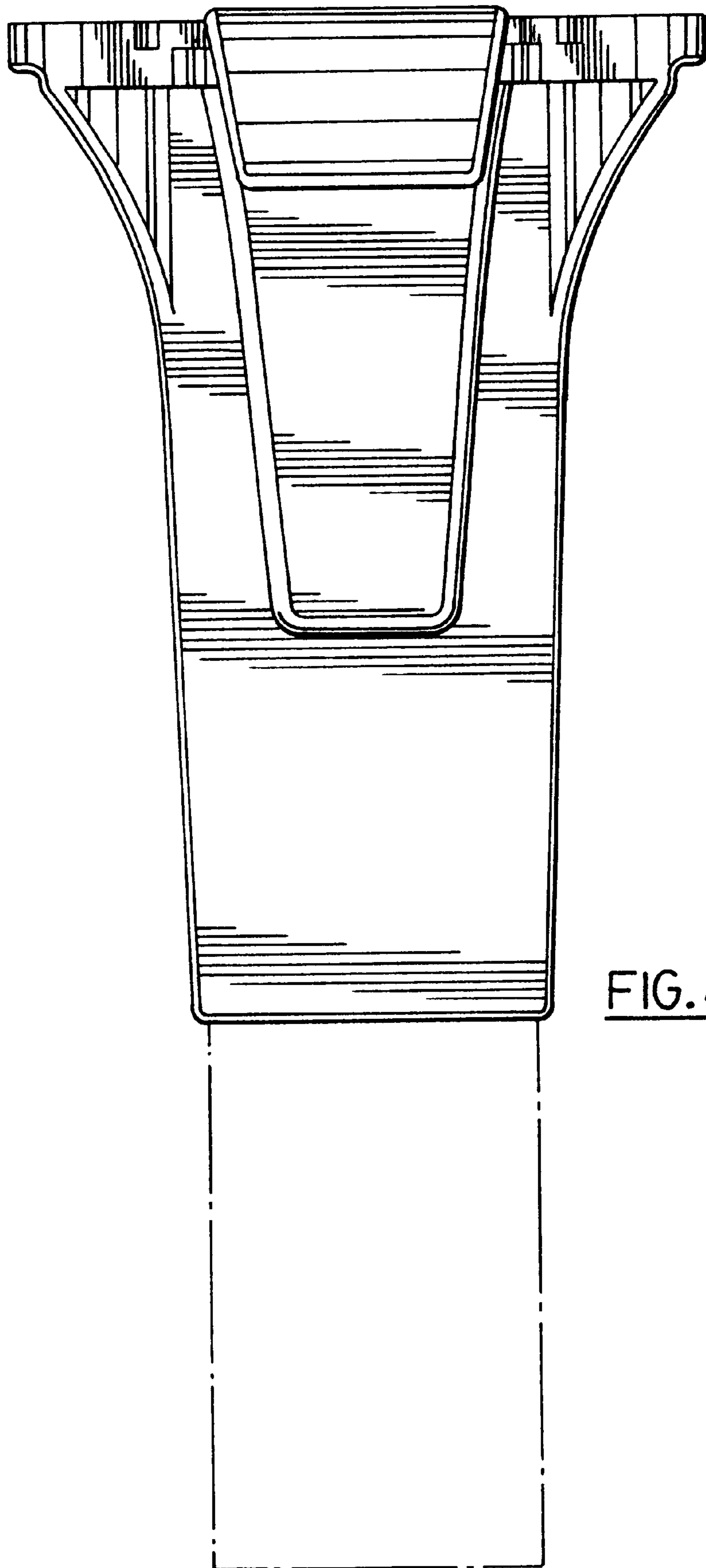


FIG. 4

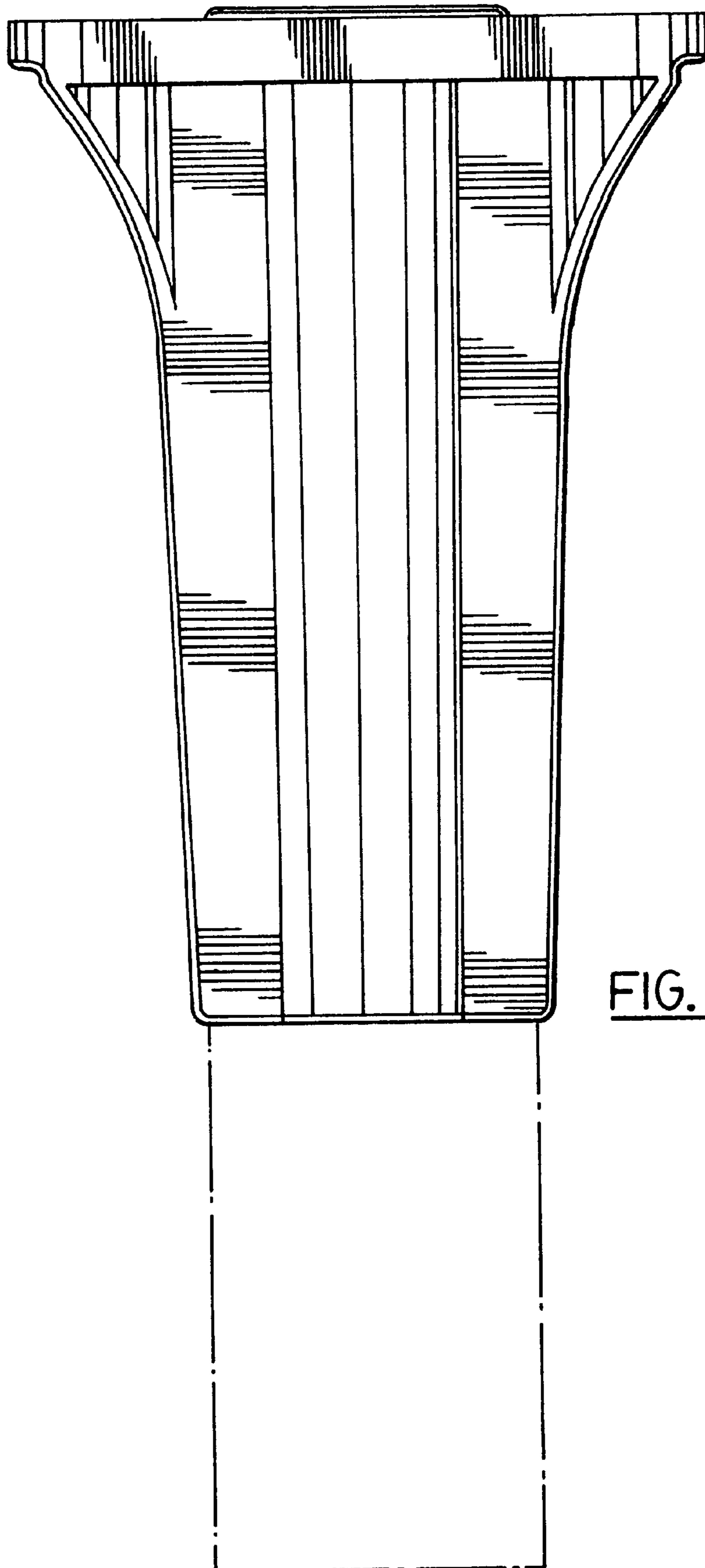


FIG. 5

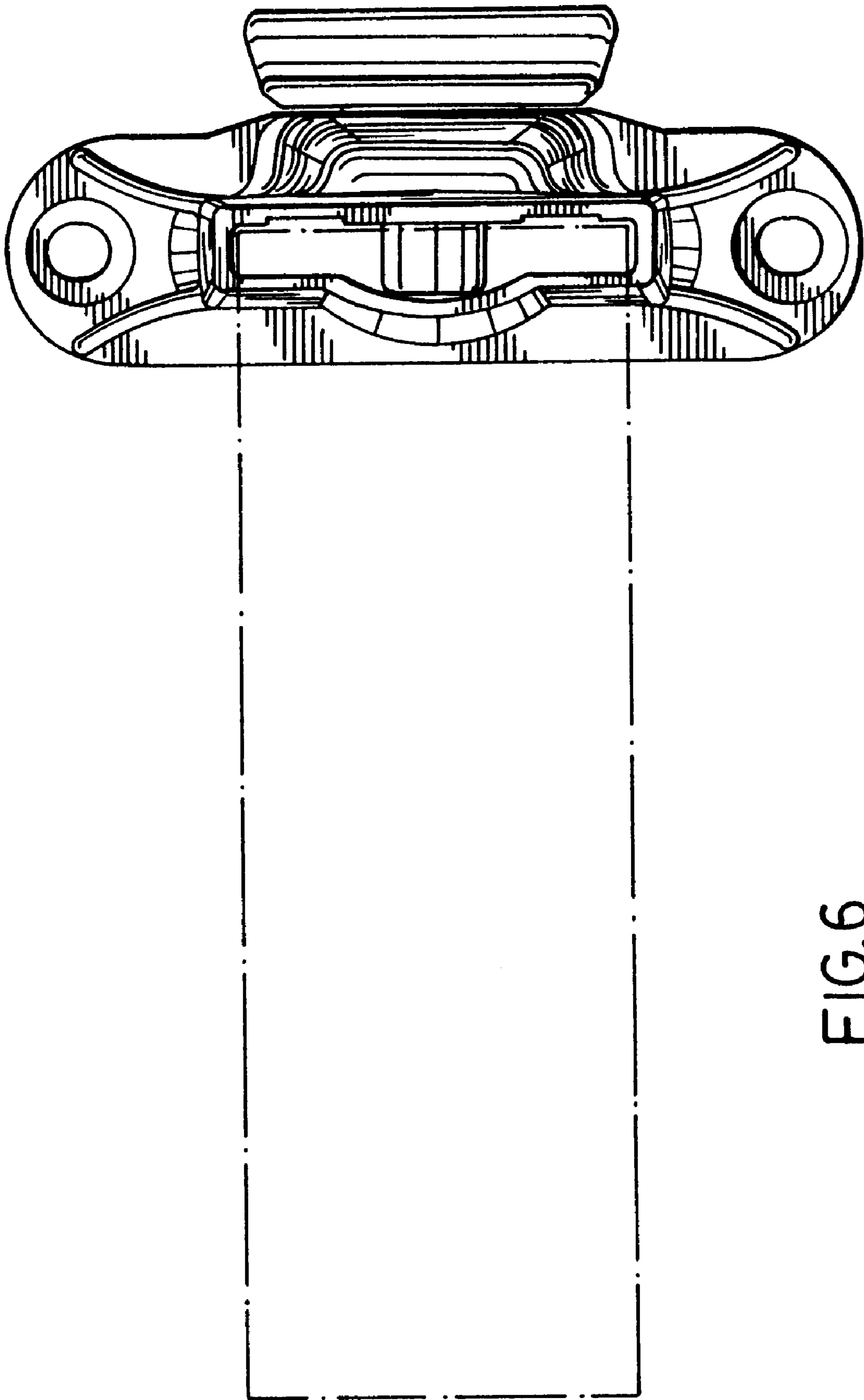


FIG. 6