



US00D411928S

United States Patent [19]

Ritch et al.

[11] Patent Number: Des. 411,928

[45] Date of Patent: ** Jul. 13, 1999

[54] CHAIR

[75] Inventors: **David J. Ritch**, Malibu; **Mark Saffell**, Manhattan Beach; **Steven P. Vassallo**, Palo Alto; **Alan M. Vale**, Sunnyvale; **Kristine R. Chan-Lizardo**, Redwood City, all of Calif.

[73] Assignee: **Steelcase Inc.**, Grand Rapids, Mich.

[**] Term: **14 Years**

[21] Appl. No.: **29/088,145**

[22] Filed: **May 15, 1998**

[51] LOC (6) Cl. **06-06**

[52] U.S. Cl. **D6/500**; D6/366

[58] Field of Search D6/366-368, 500-502, D6/495, 498, 361, 364, 365; 297/411.2, 411.4, 411.44, 411.36, 450.1, 452.11, 452.21, 452.29, 463.1, 230.1, 230.12, 284.1, 284.4

[56] **References Cited**

U.S. PATENT DOCUMENTS

D. 267,990 2/1983 Buhk et al. D6/366

OTHER PUBLICATIONS

Domus magazine, section titled Modus, Chair attop center, Oct. 1996.

Advertisement entitled "Spontaneous Seating", on p. 165 of the Apr. 1998 "Architectural Record" magazine, showing the Torsion Chair from KI.

Primary Examiner—Jeffrey Asch

Attorney, Agent, or Firm—Foley & Lardner

[57] **CLAIM**

We claim the ornamental design for a chair, as shown and described.

DESCRIPTION

FIG. 1 is a front perspective view of a chair according to a

first embodiment of our new design.

FIG. 2 is a front elevation view of the chair of FIG. 1.

FIG. 3 is a rear elevation view of the chair of FIG. 1.

FIG. 4 is a left side elevation view of the chair of FIG. 1.

FIG. 5 is a right side elevation view of the chair of FIG. 1.

FIG. 6 is a top plan view of the chair of FIG. 1.

FIG. 7 is a bottom plan view of the chair of FIG. 1.

FIG. 8 is a front perspective view of the chair of FIG. 1 showing the seat in a folded position.

FIG. 9 is a front perspective view of the chair according to a second embodiment of our new design.

FIG. 10 is a front elevation view of the chair of FIG. 9.

FIG. 11 is a rear elevation view of the chair of FIG. 9.

FIG. 12 is a left side elevation view of the chair of FIG. 9.

FIG. 13 is a right side elevation view of the chair of FIG. 9.

FIG. 14 is a top plan view of the chair of FIG. 9.

FIG. 15 is a bottom plan view of the chair of FIG. 9.

FIG. 16 is a front perspective view of the chair of FIG. 9 showing the seat in a folded position.

FIG. 17 is a front perspective view of the chair according to a third embodiment of our new design.

FIG. 18 is a front elevation view of the chair of FIG. 17.

FIG. 19 is a rear elevation view of the chair of FIG. 17.

FIG. 20 is a left side elevation view of the chair of FIG. 17.

FIG. 21 is a right side elevation view of the chair of FIG. 17.

FIG. 22 is a top plan view of the chair of FIG. 17.

FIG. 23 is a bottom plan view of the chair of FIG. 17.

FIG. 24 is a front perspective view of the chair of FIG. 17 showing the seat in a folded position.

FIG. 25 is a front perspective view of the chair according to a fourth embodiment of our new design.

FIG. 26 is a front elevation view of the chair of FIG. 25.

FIG. 27 is a rear elevation view of the chair of FIG. 25.

FIG. 28 is a left side elevation view of the chair of FIG. 25.

FIG. 29 is a right side elevation view of the chair of FIG. 25.

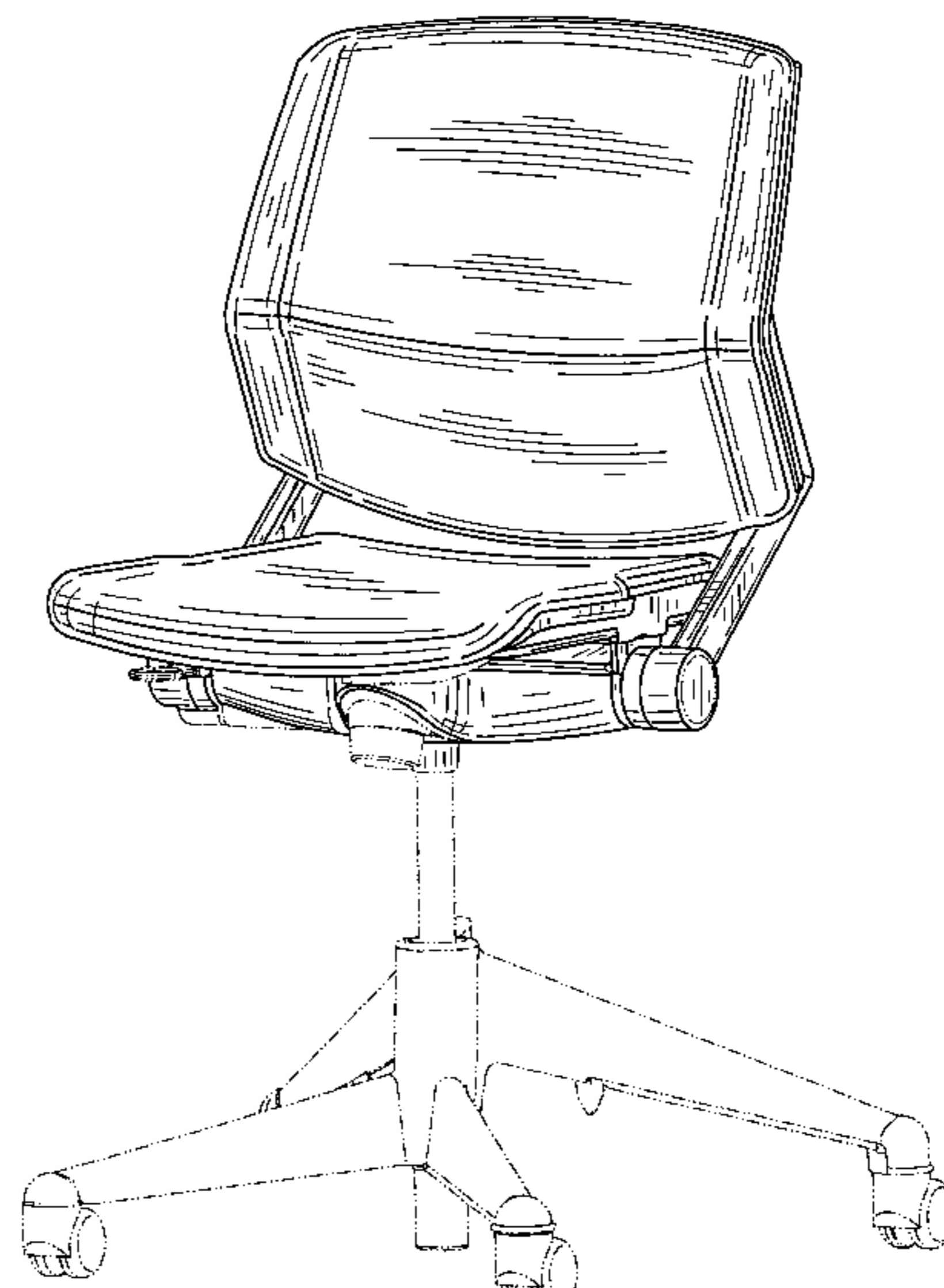
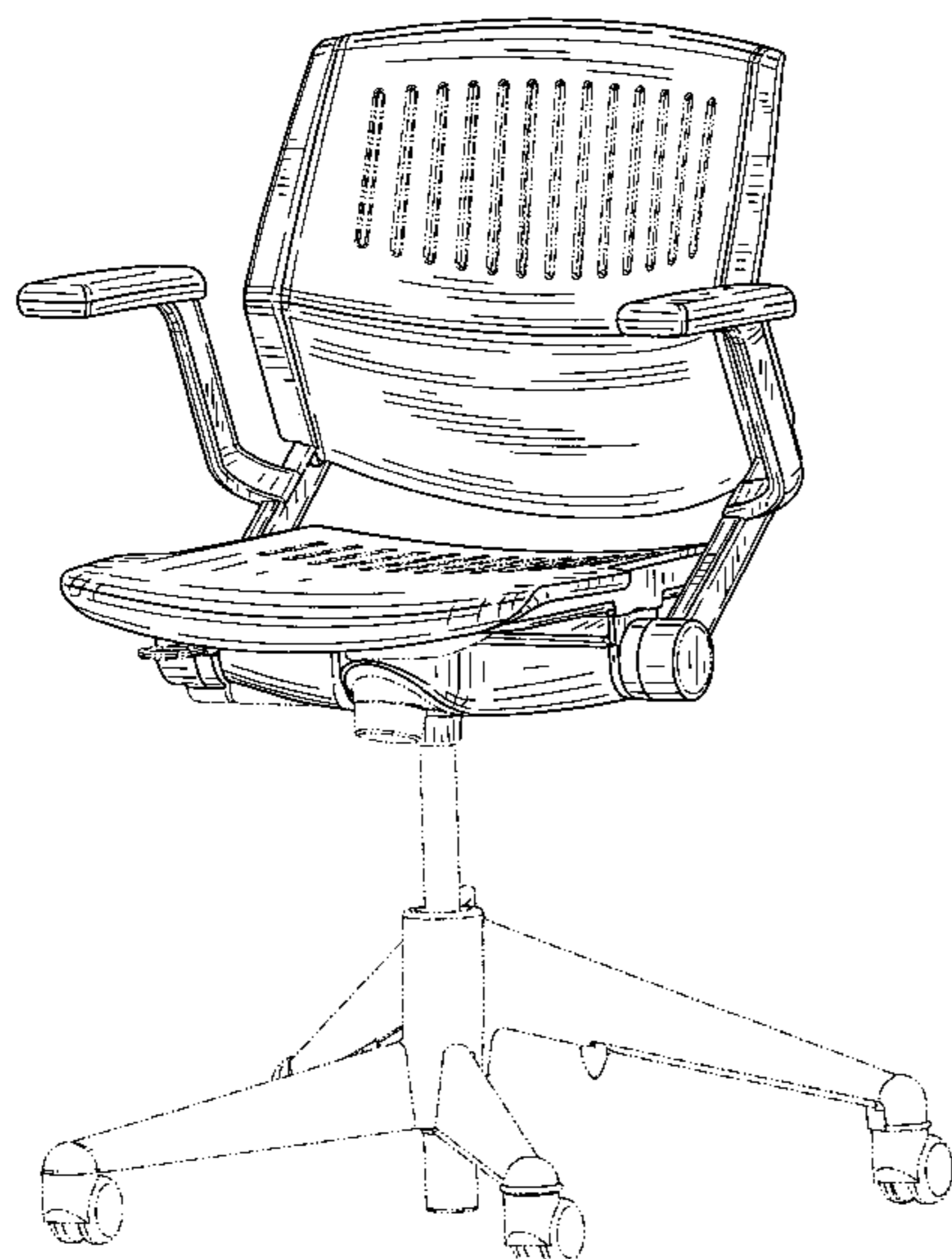
FIG. 30 is a top plan view of the chair of FIG. 25.

FIG. 31 is a bottom plan view of the chair of FIG. 25; and,

FIG. 32 is a front perspective view of the chair of FIG. 25 showing the seat in a folded position.

The broken line disclosure in the figures is for illustrative purposes only and forms no part of the claimed design.

1 Claim, 28 Drawing Sheets



Des. 411,928

Page 2

U.S. PATENT DOCUMENTS

D. 272,204	1/1984	De Boer .	2,011,067	8/1935	McKee .
D. 272,205	1/1984	De Boer .	2,055,340	9/1936	Dellert .
D. 300,696	4/1989	Garnich	2,146,932	2/1939	Boman .
D. 335,585	5/1993	Grossfillex	3,087,755	4/1963	Boman .
D. 341,951	12/1993	Engle	3,451,718	6/1969	Kaufman .
D. 368,172	3/1996	Locher	3,982,785	9/1976	Ambasz .
D. 386,320	11/1997	King	4,067,606	1/1978	Fouchereau et al. .
1,941,340	12/1933	Dellert .	4,240,663	12/1980	Locher .
2,004,934	6/1935	Dellert .	4,639,012	1/1987	Jensen .
			5,037,116	8/1991	Desanta .

FIG. 1

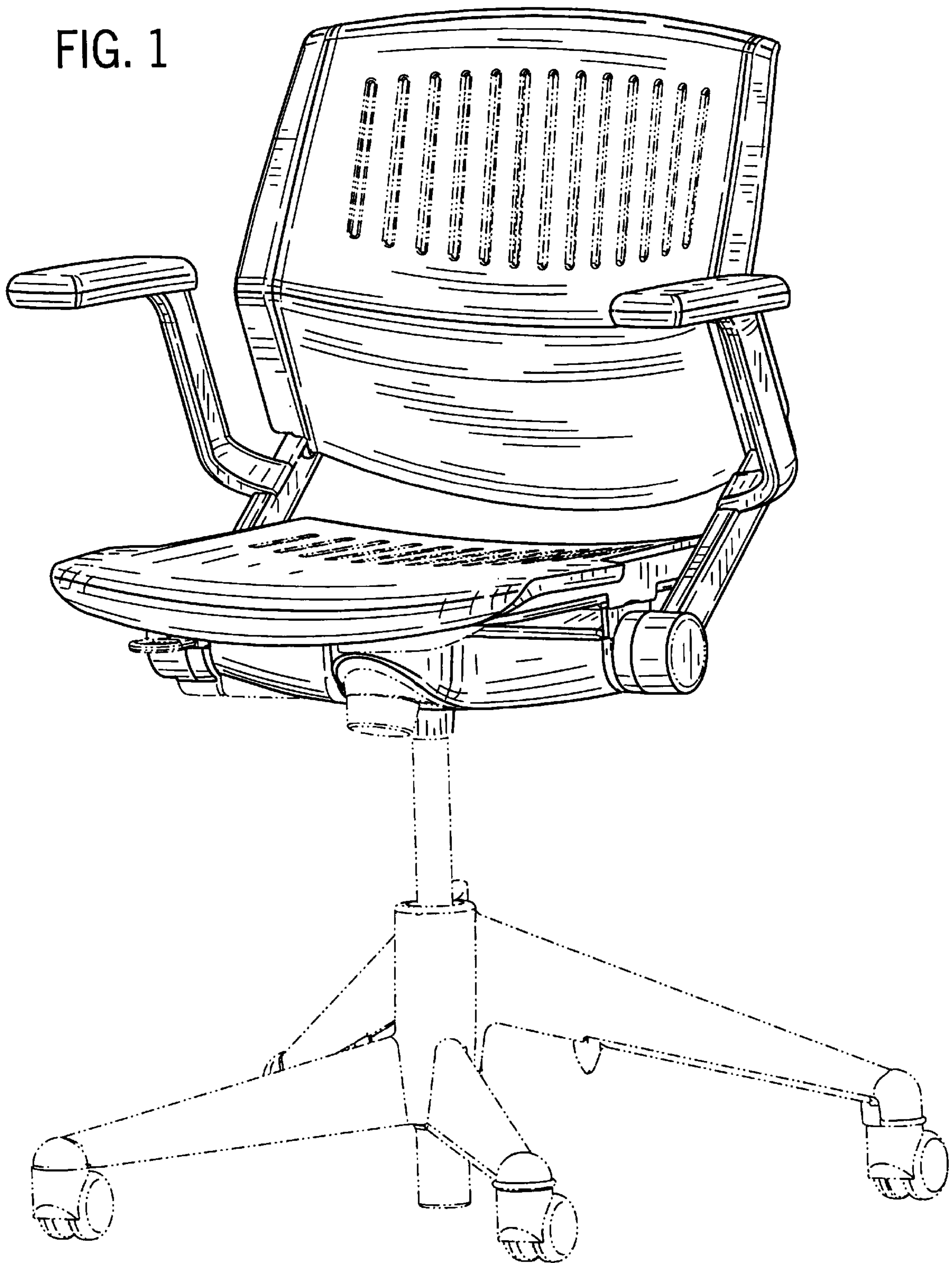


FIG. 2

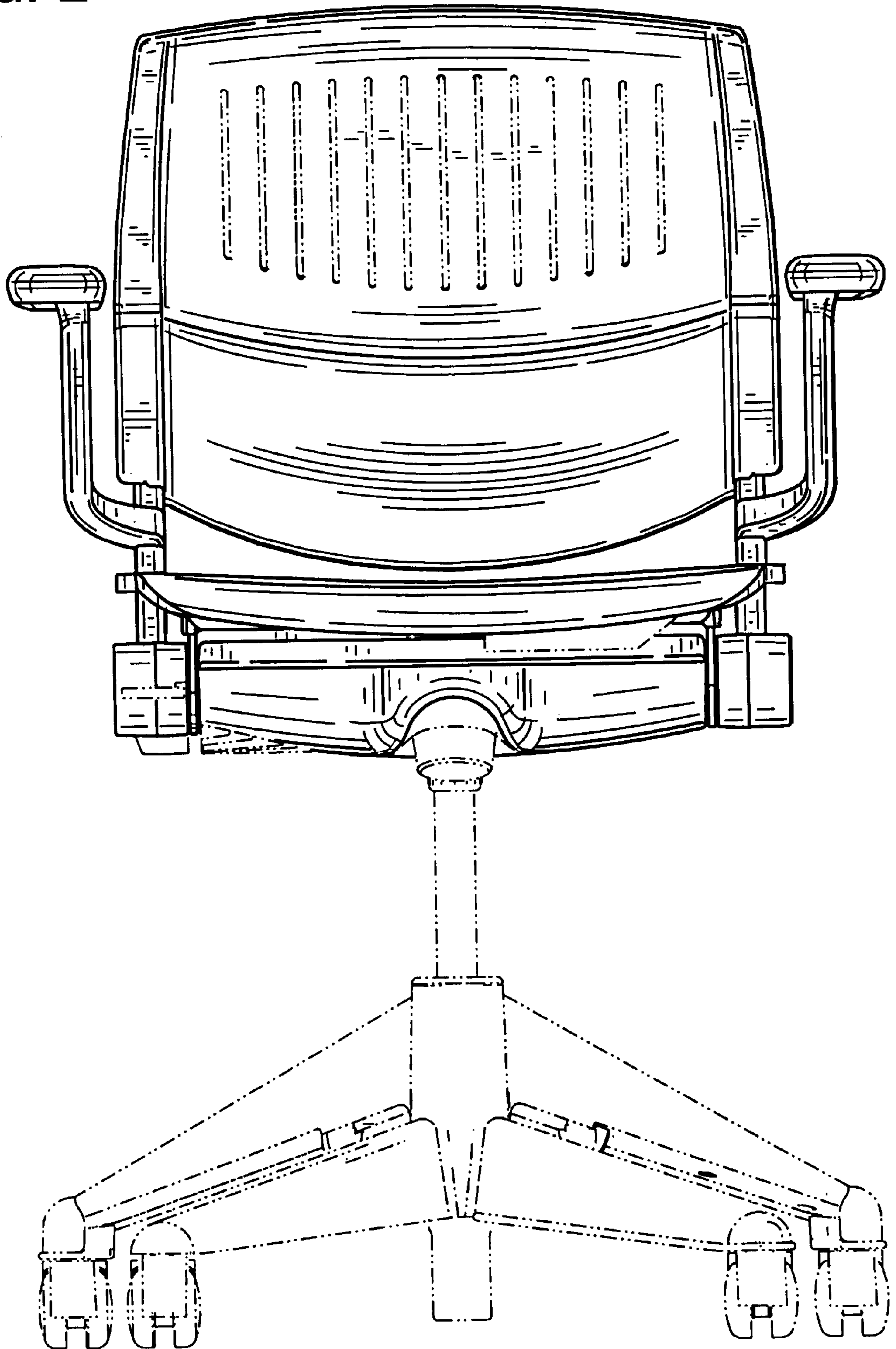


FIG. 3

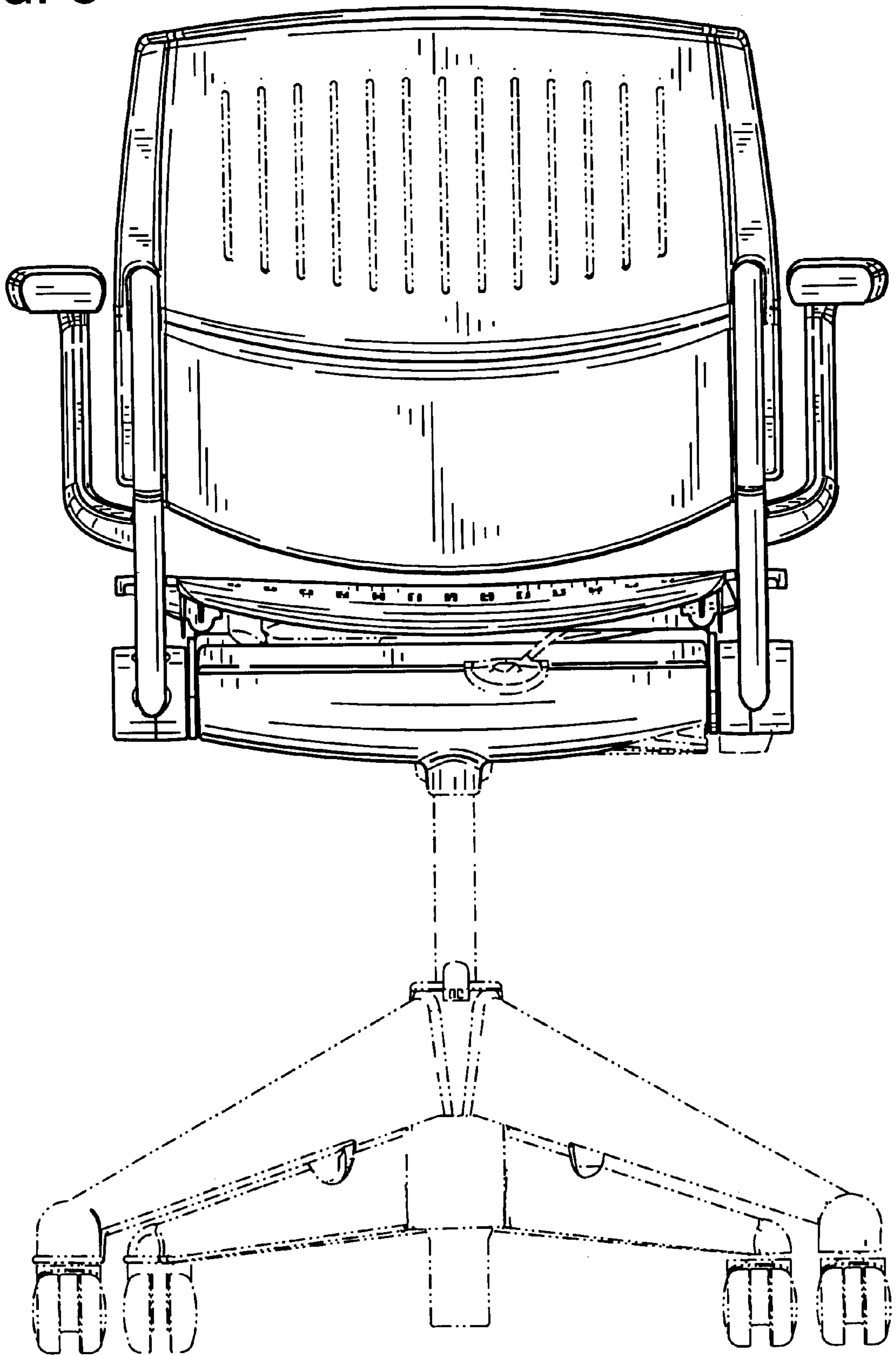


FIG. 4

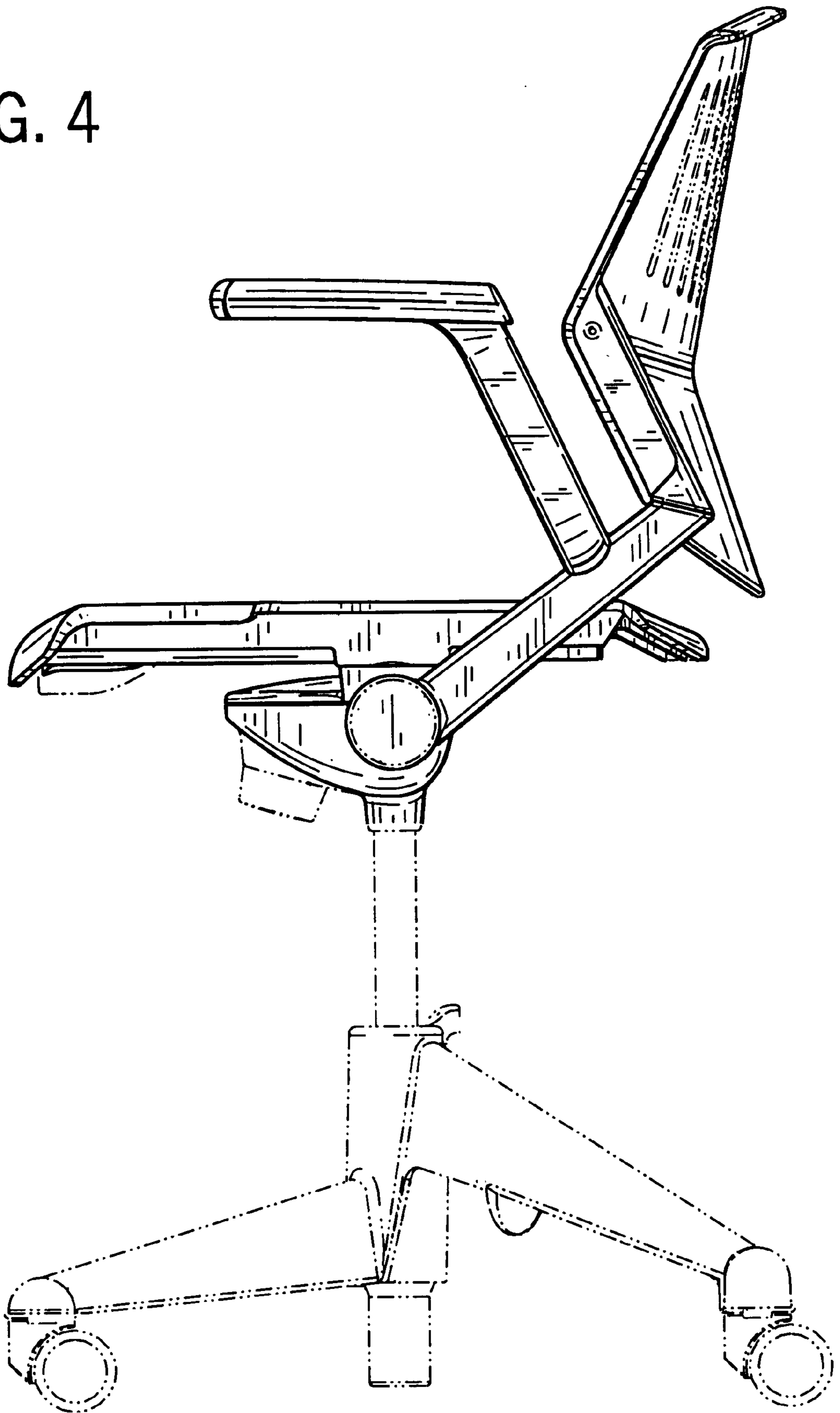


FIG. 5

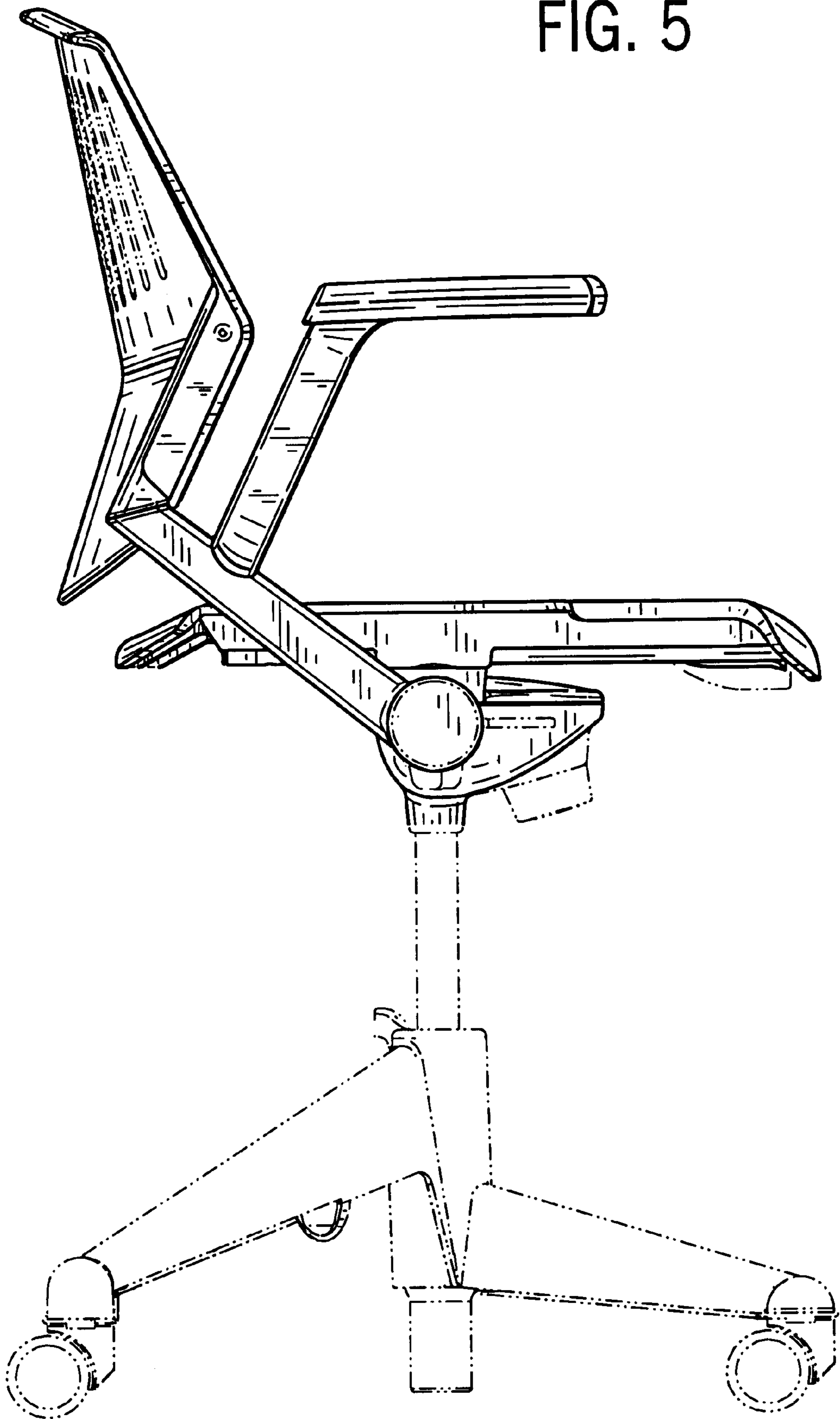


FIG. 6

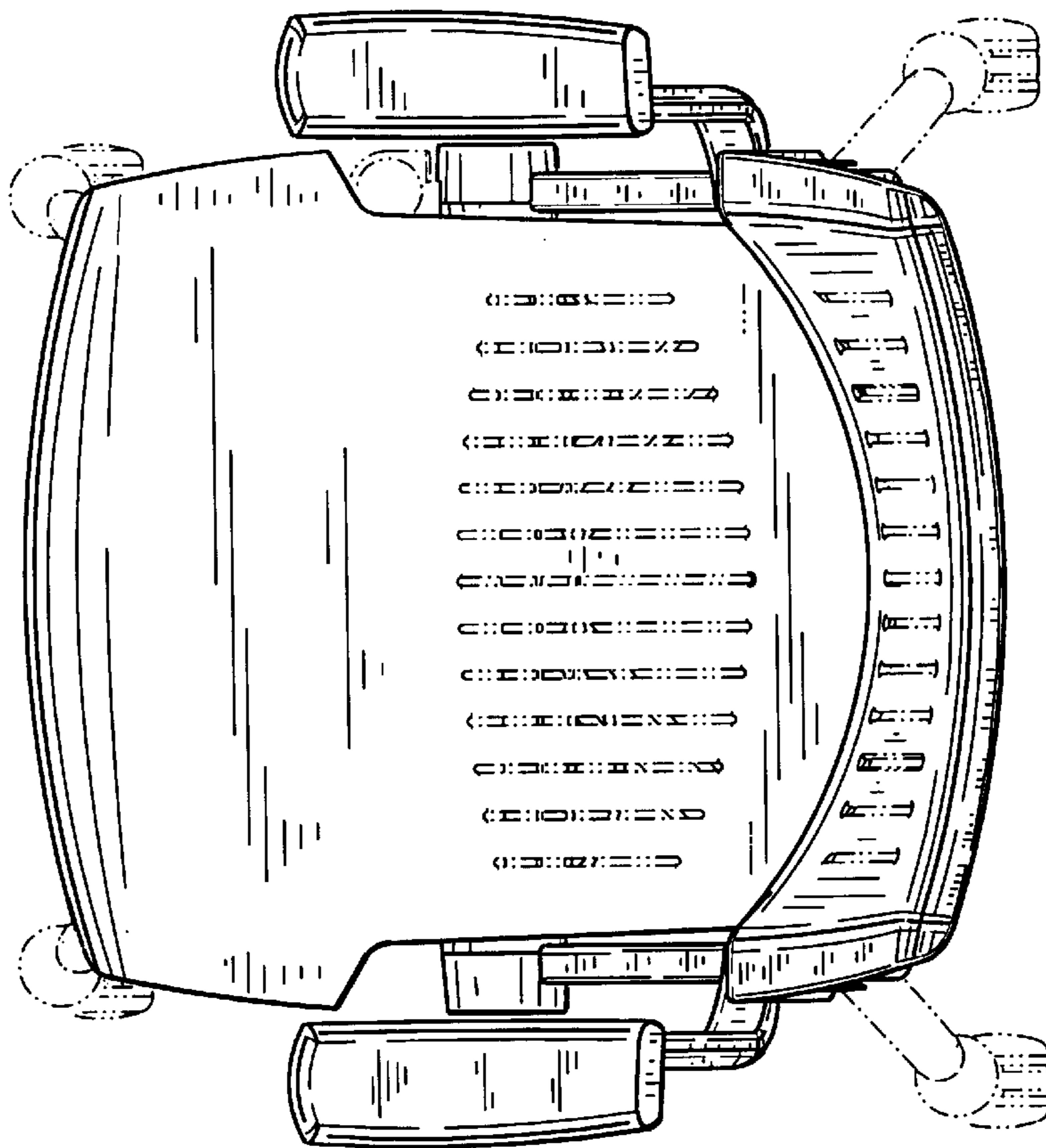


FIG. 7

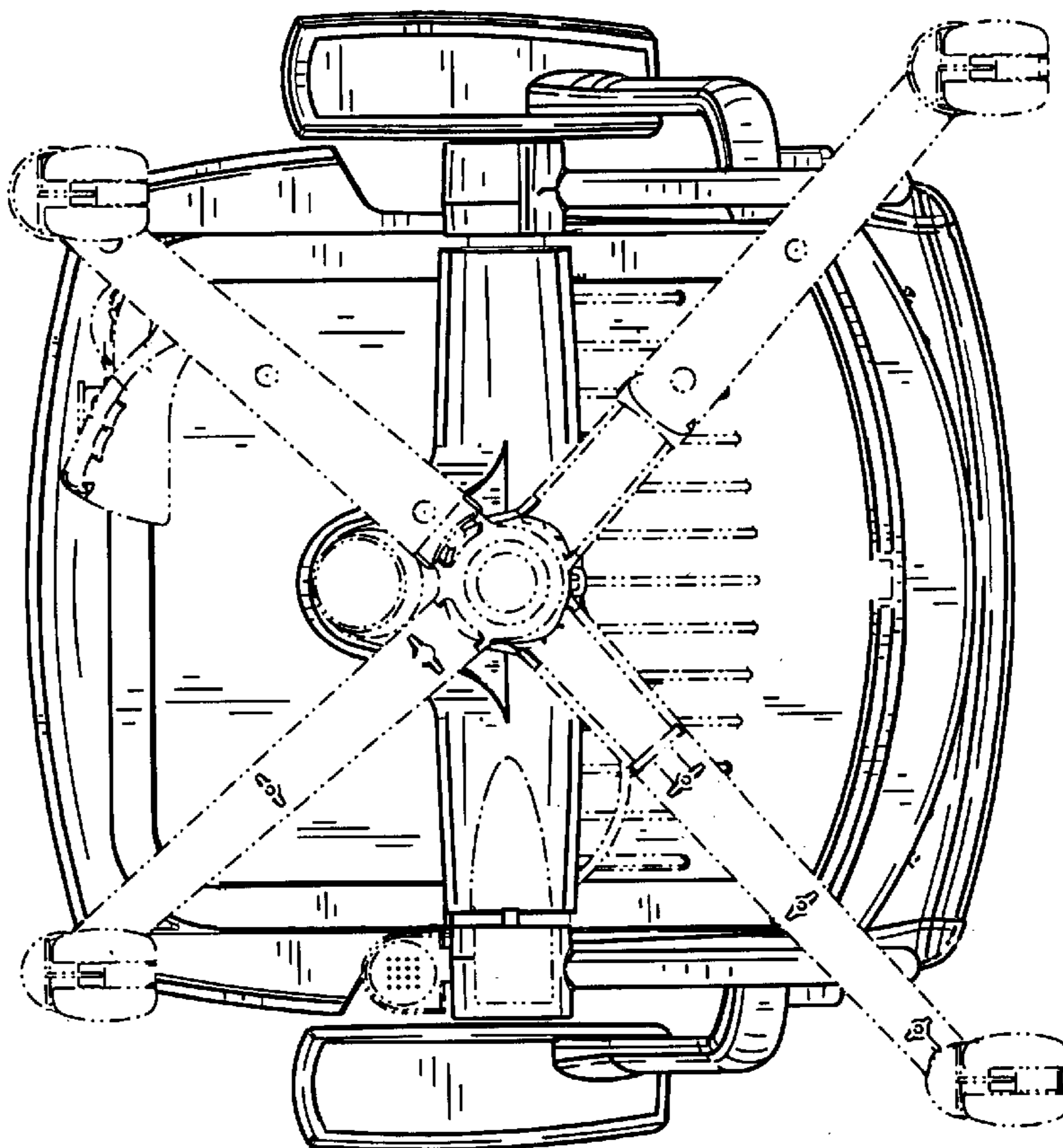


FIG. 8

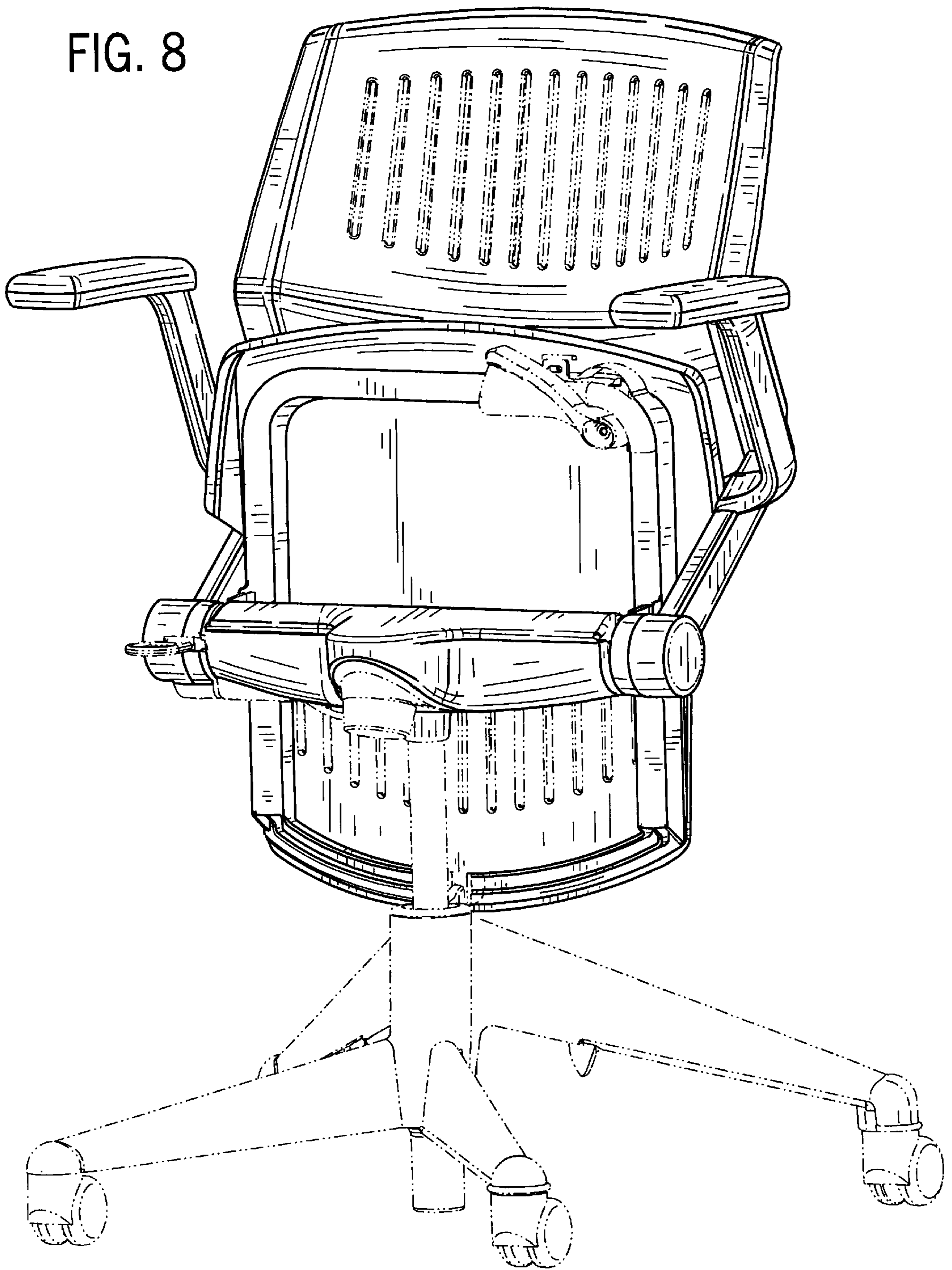


FIG. 9

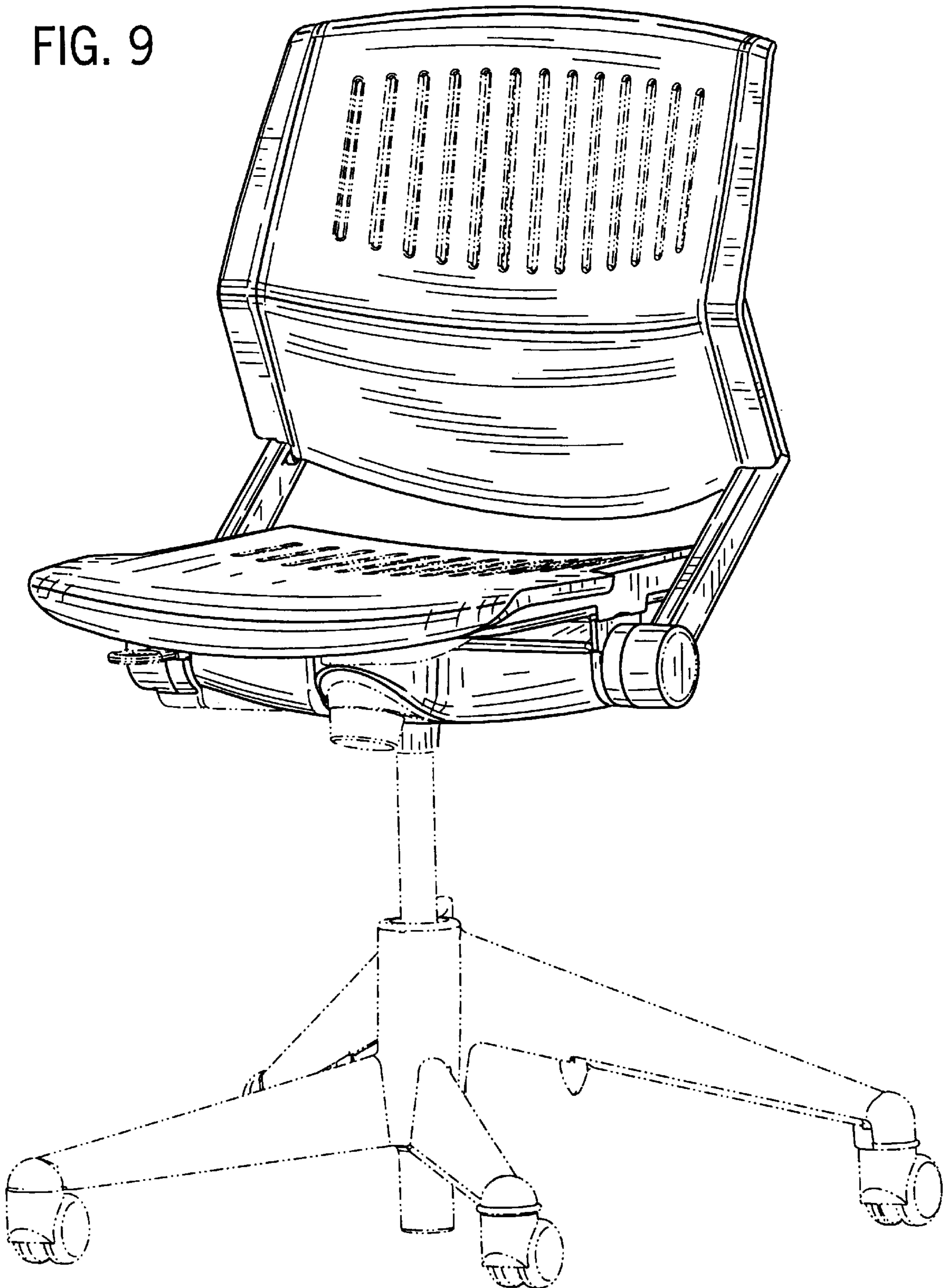


FIG. 10

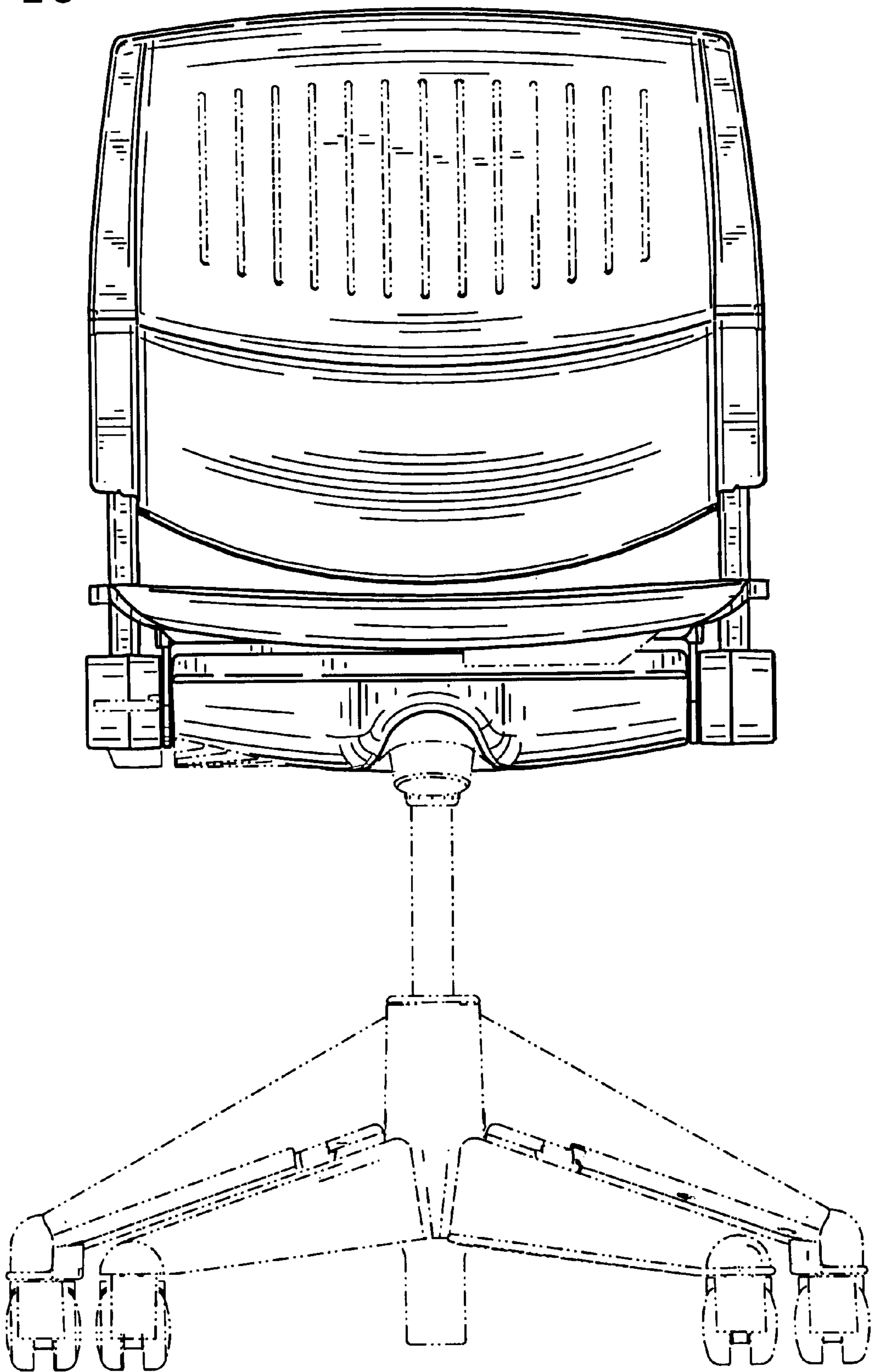


FIG. 11

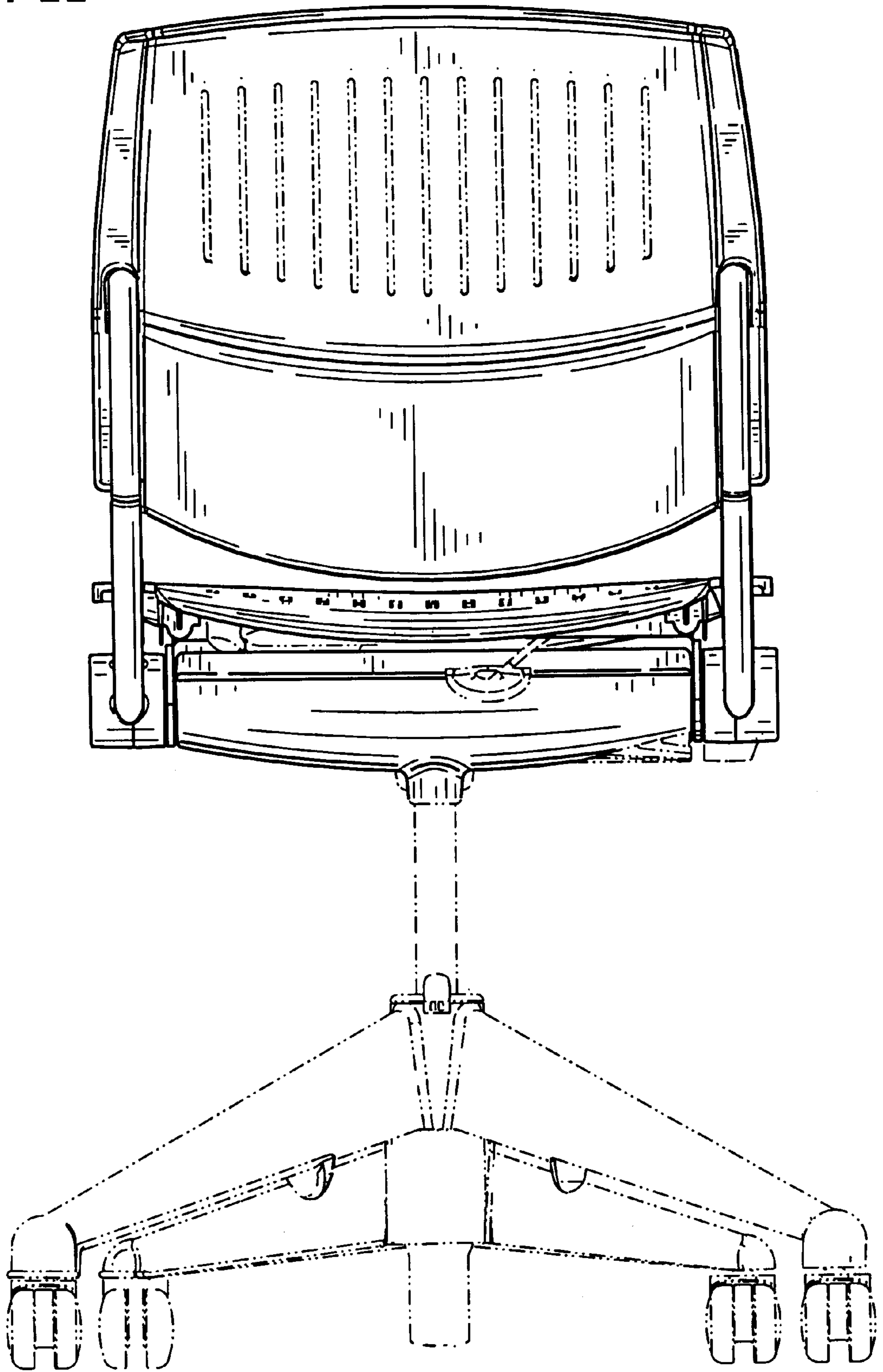


FIG. 12

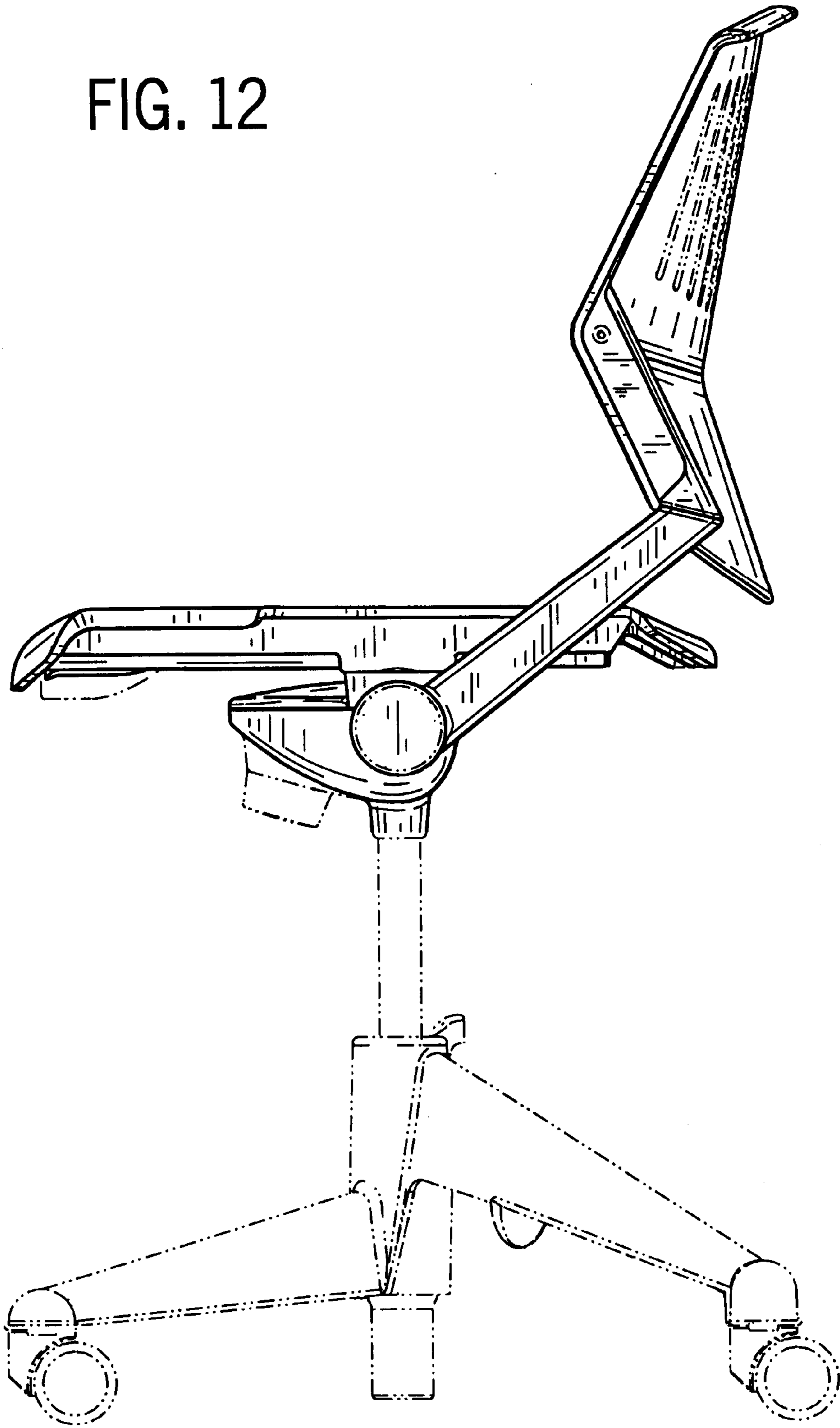


FIG. 13

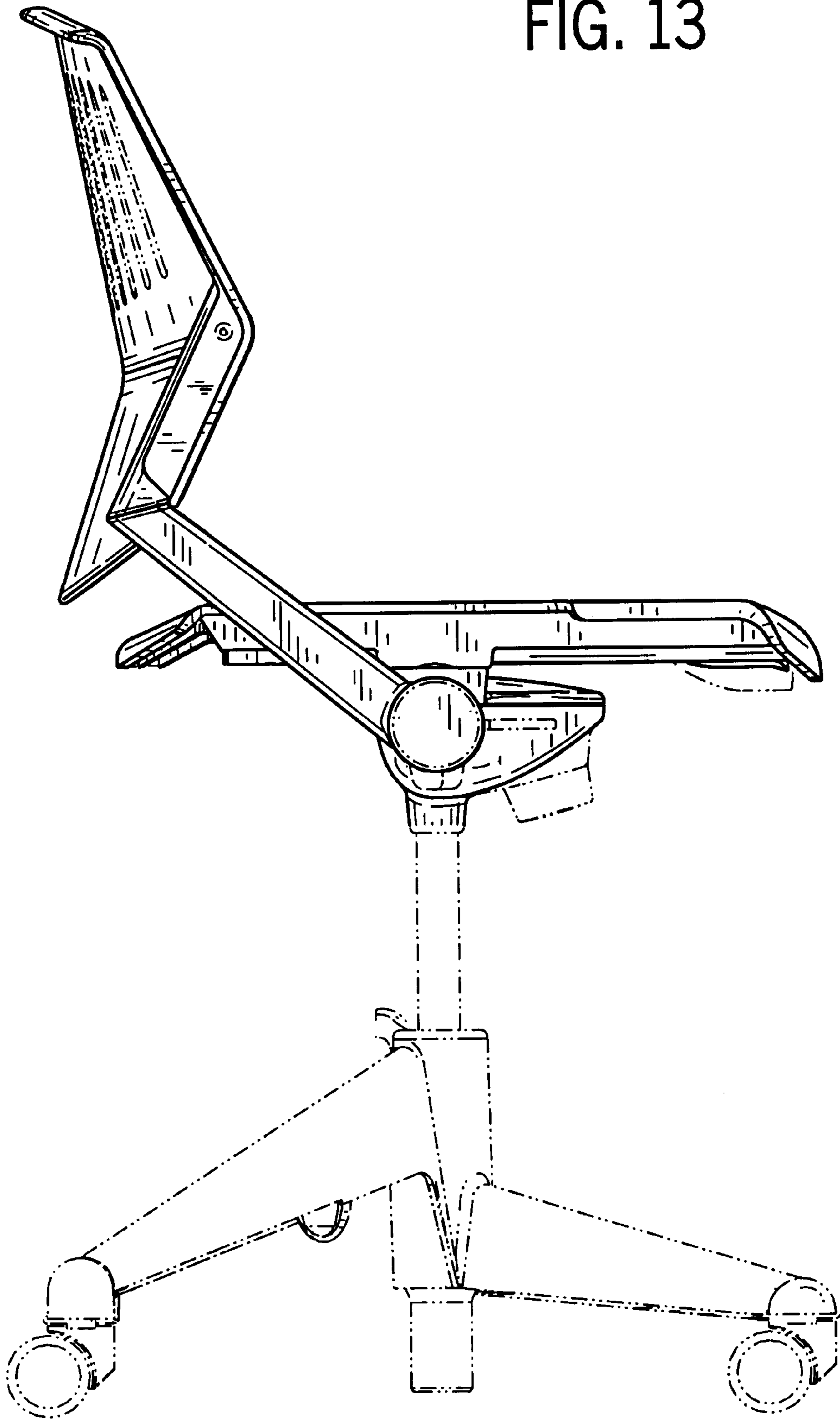


FIG. 14

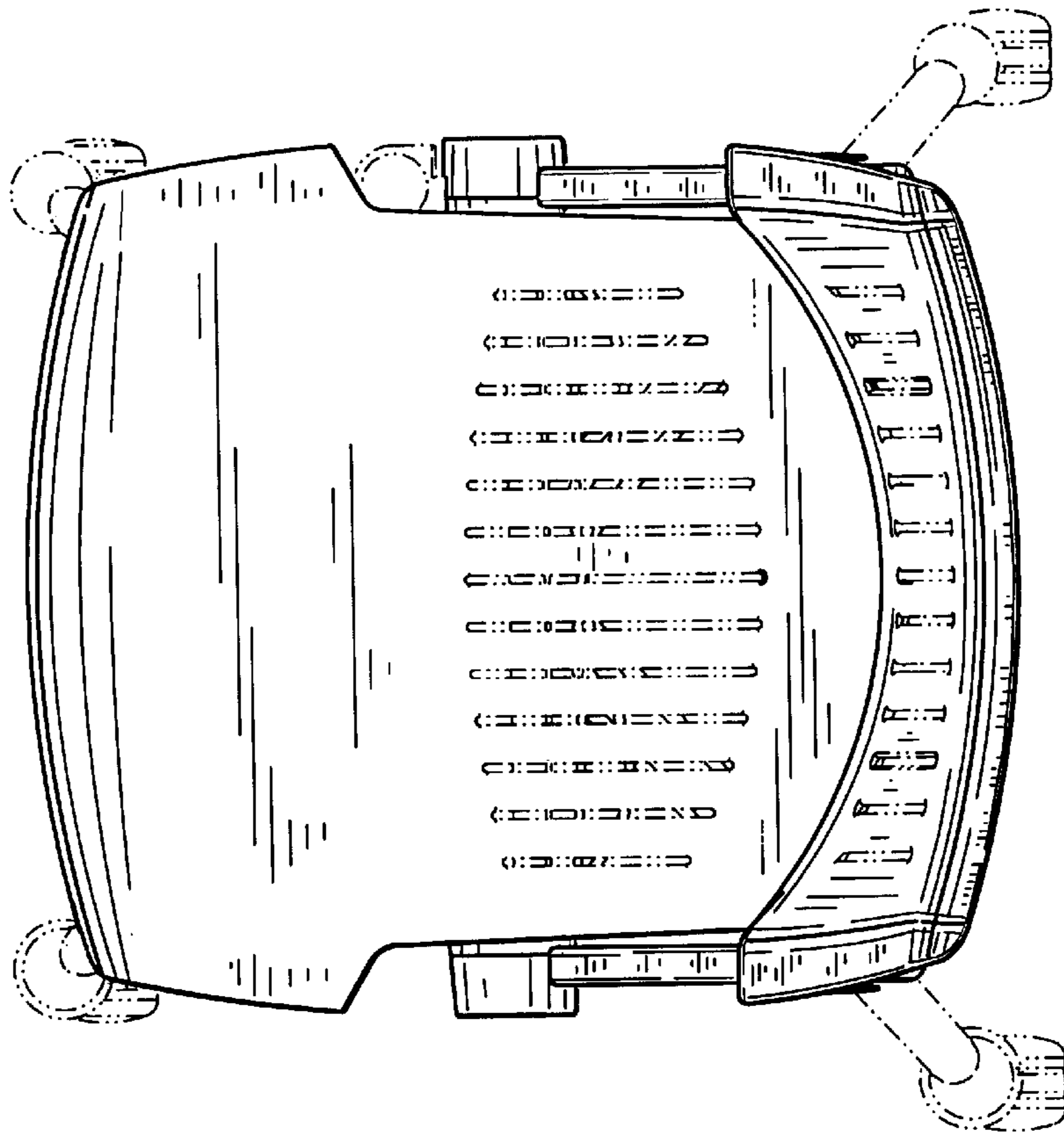


FIG. 15

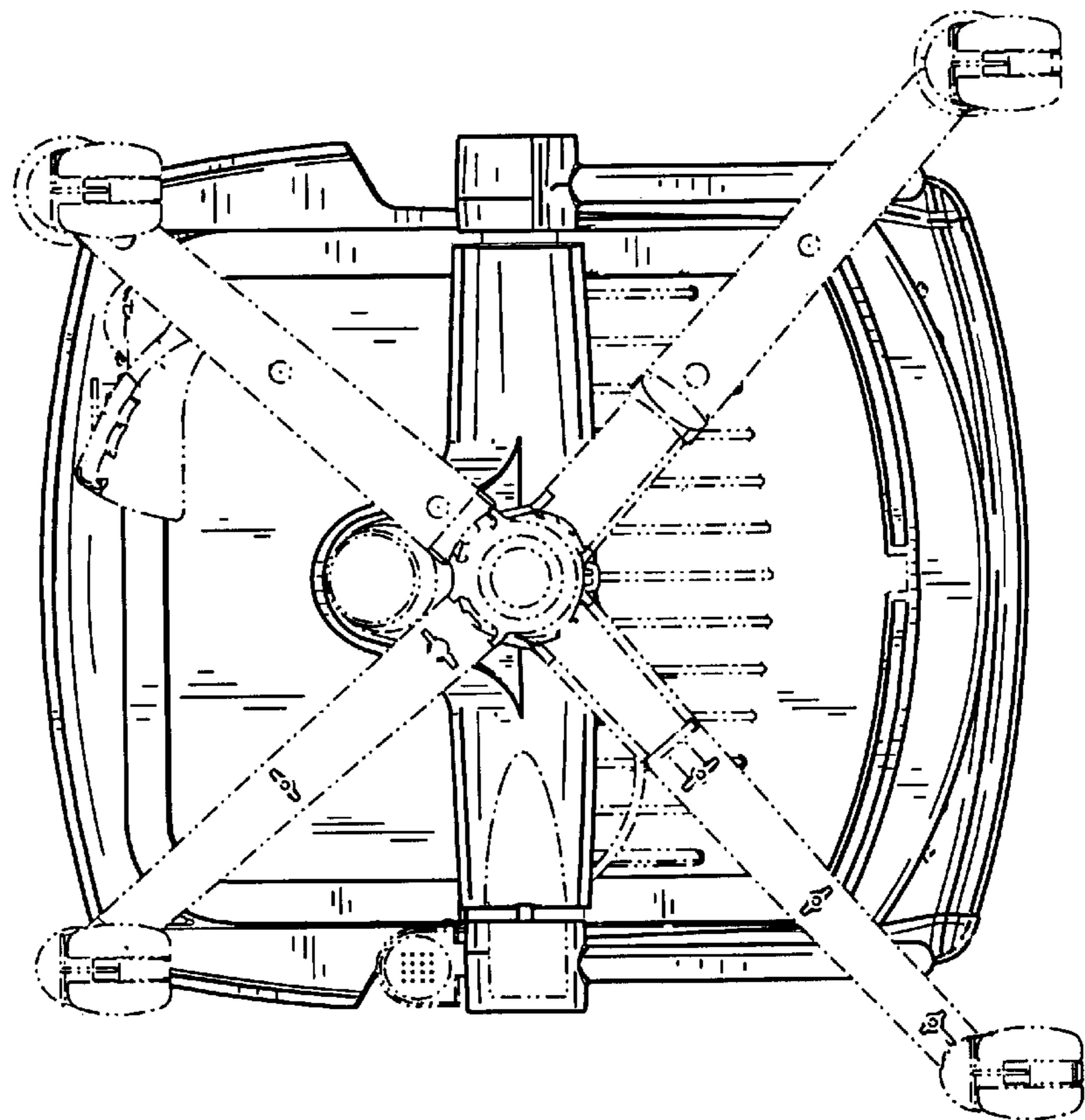


FIG. 16

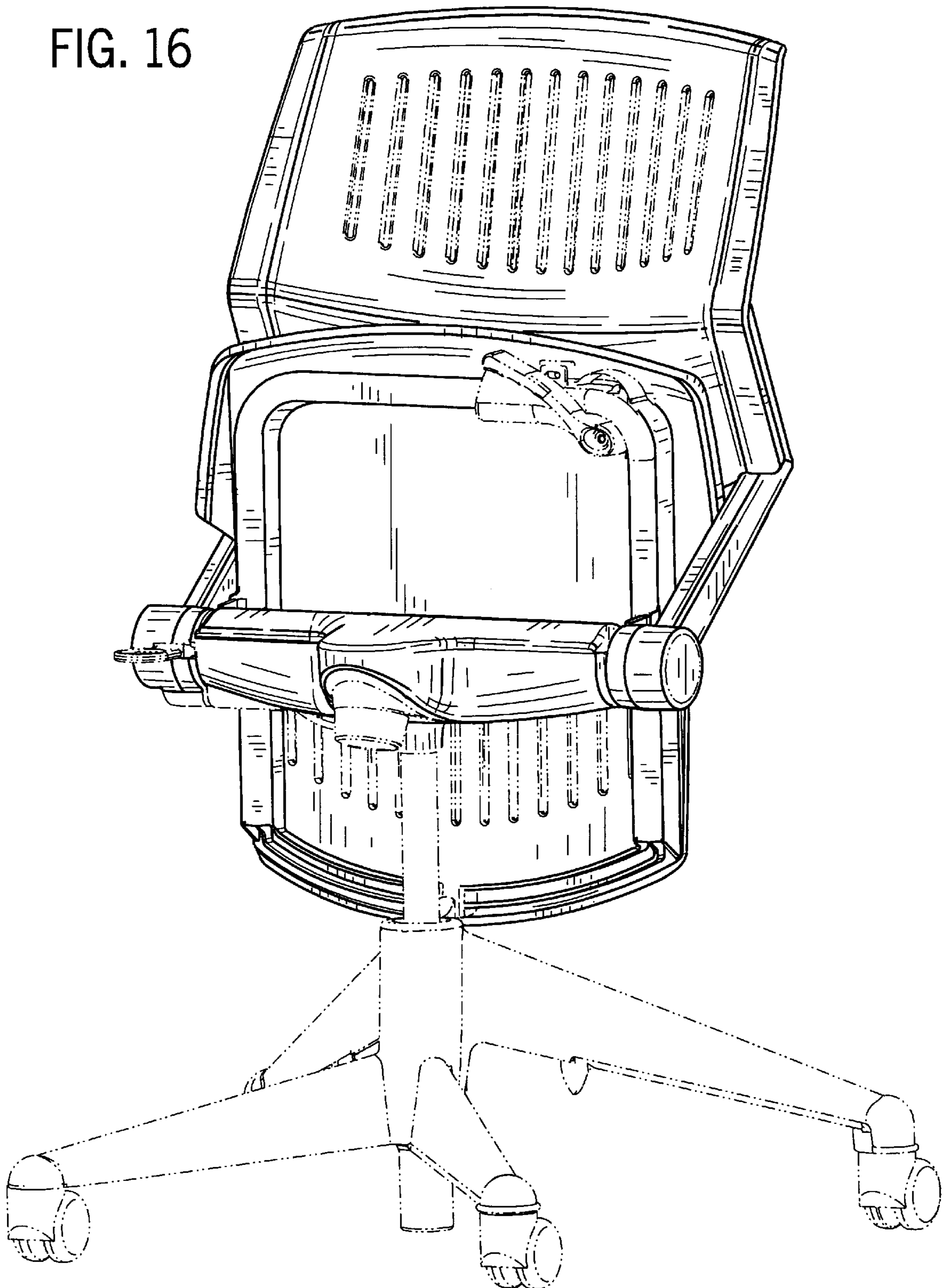


FIG. 17



FIG. 18

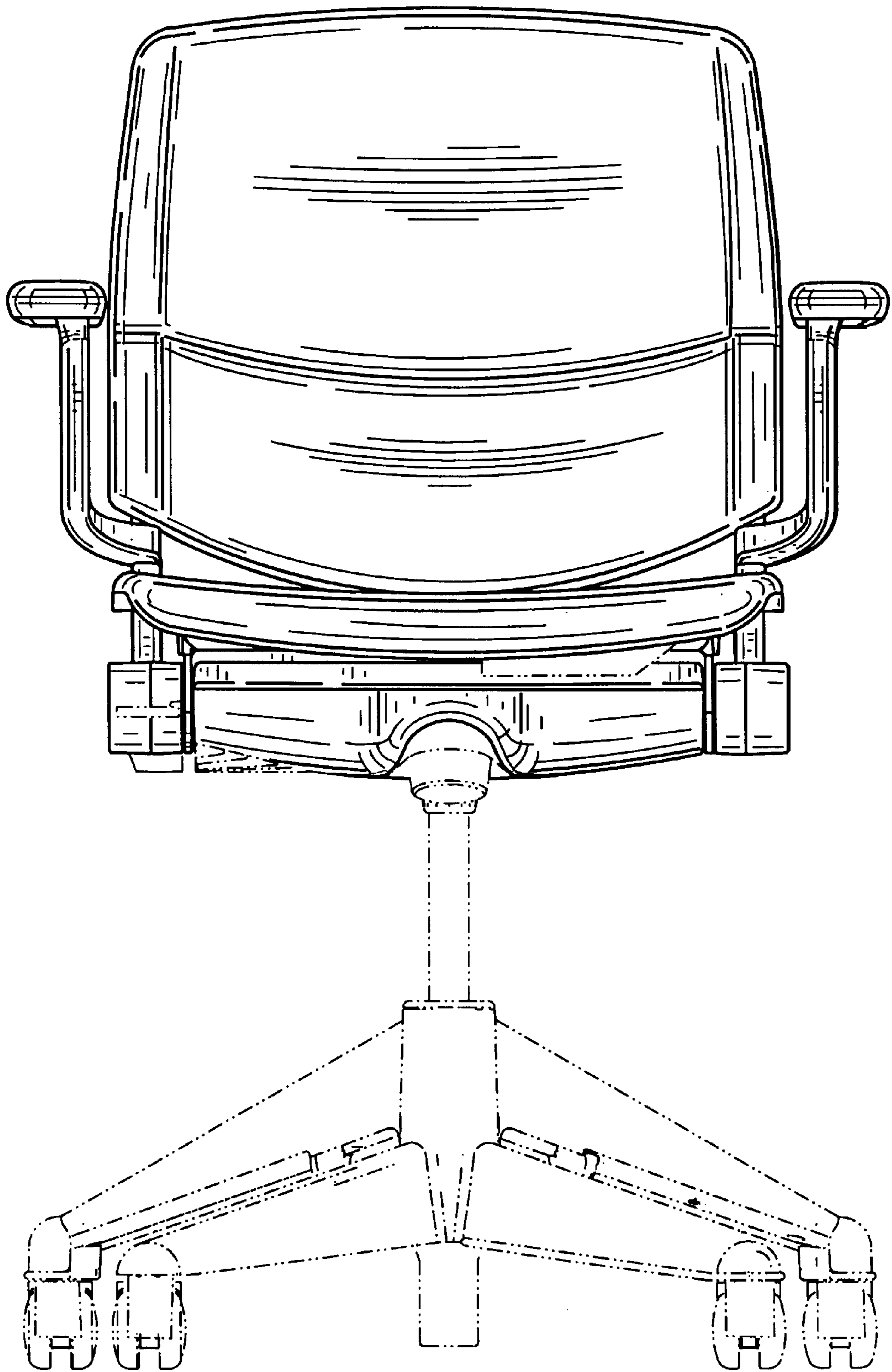


FIG. 19

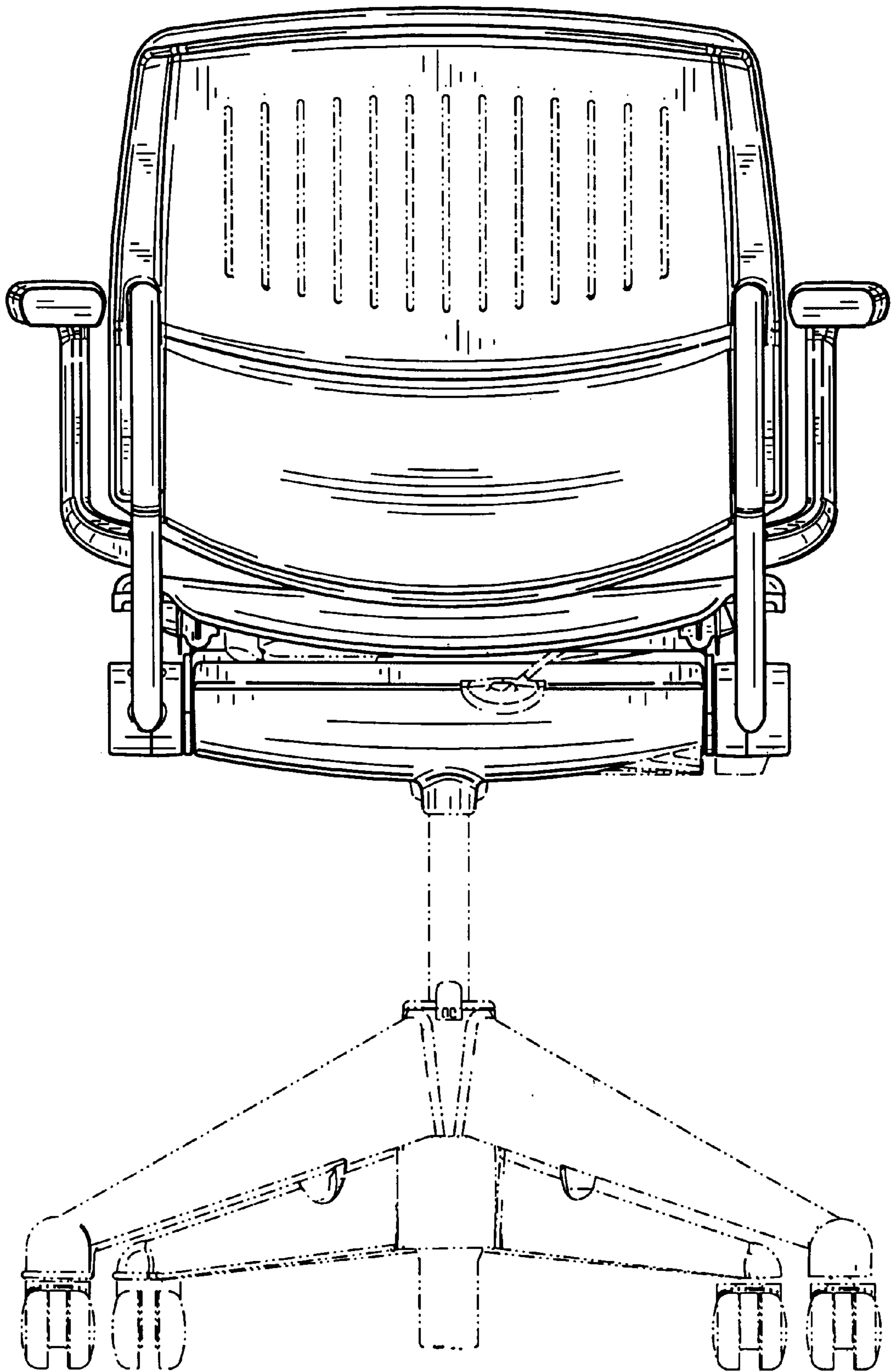


FIG. 20

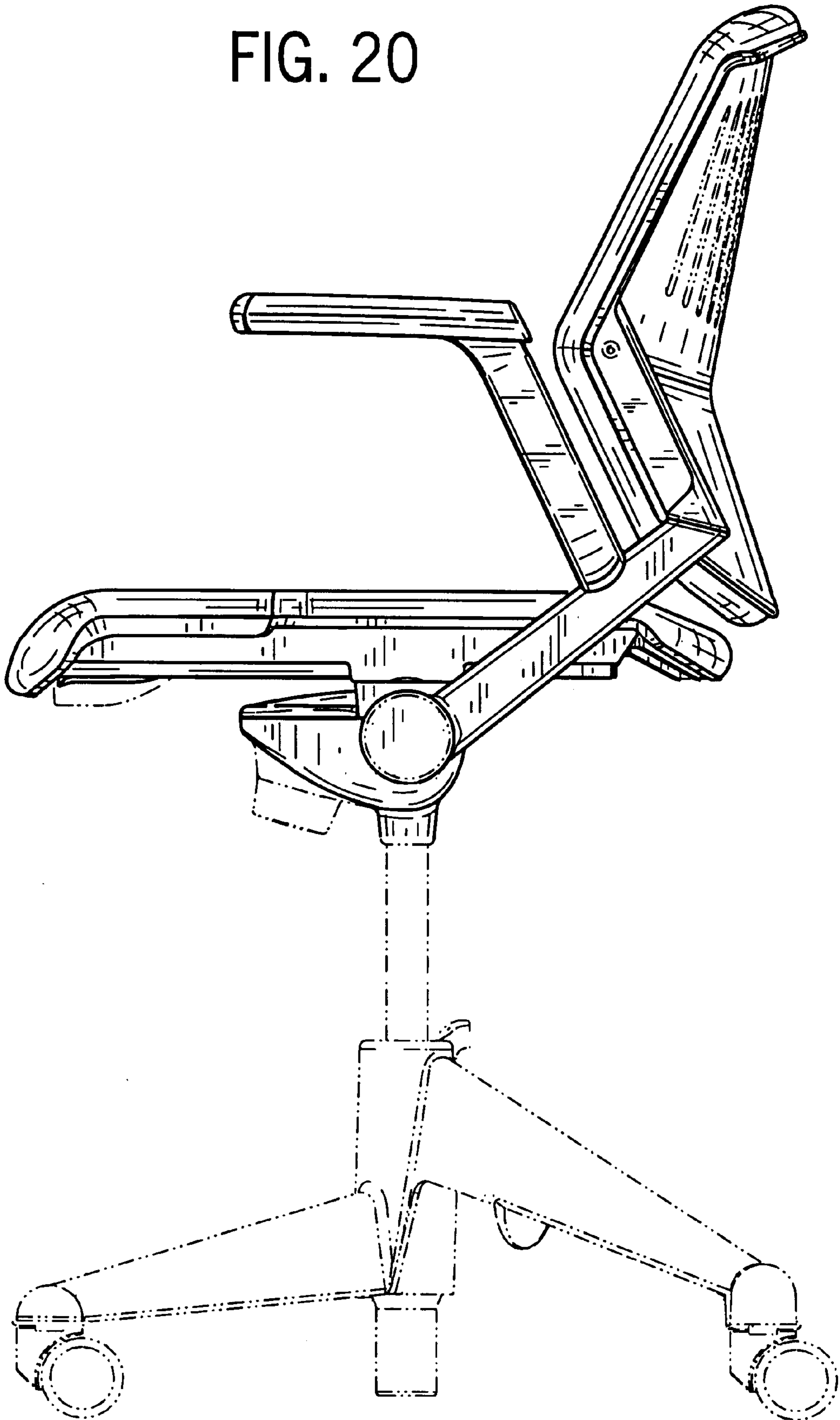


FIG. 21

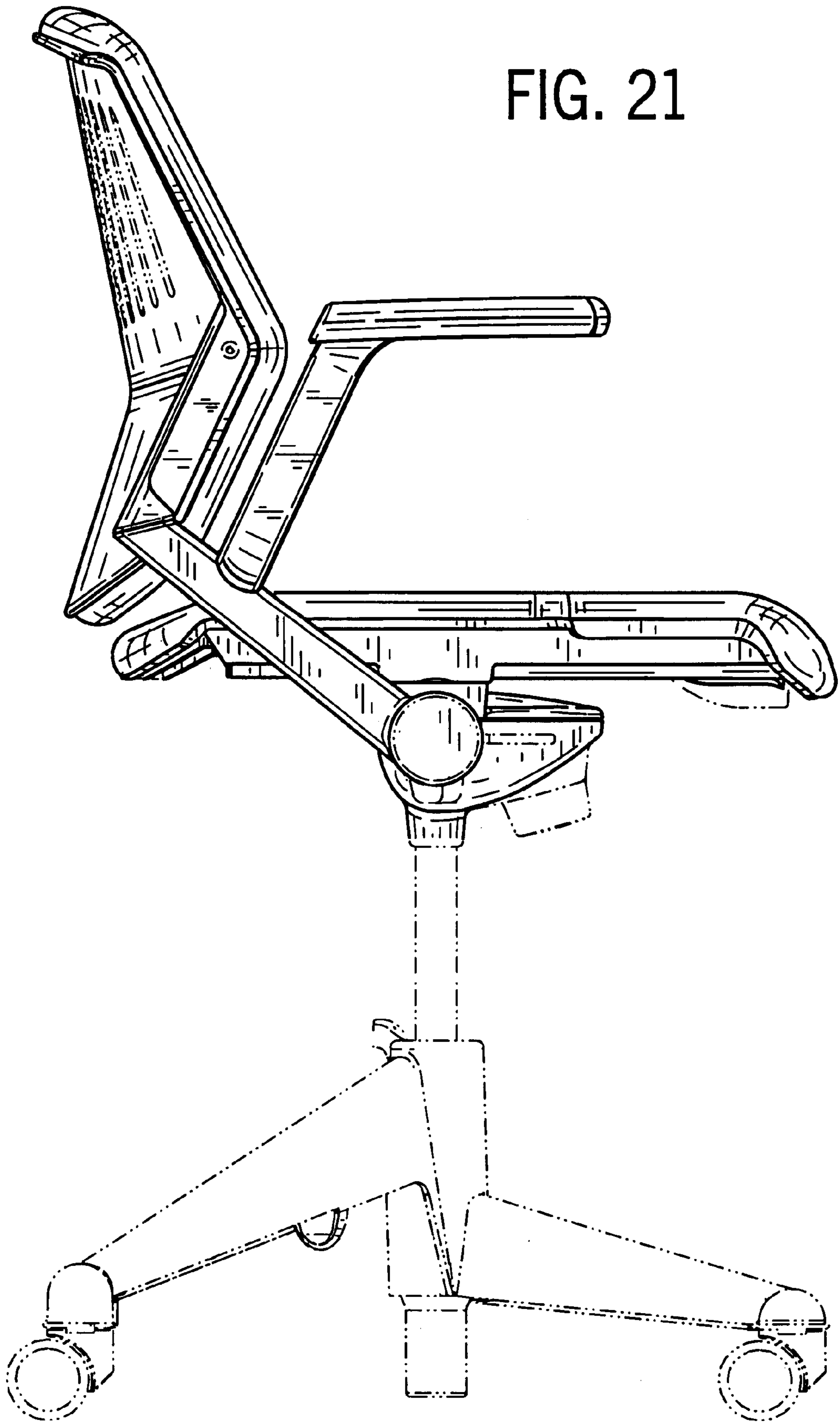


FIG. 22

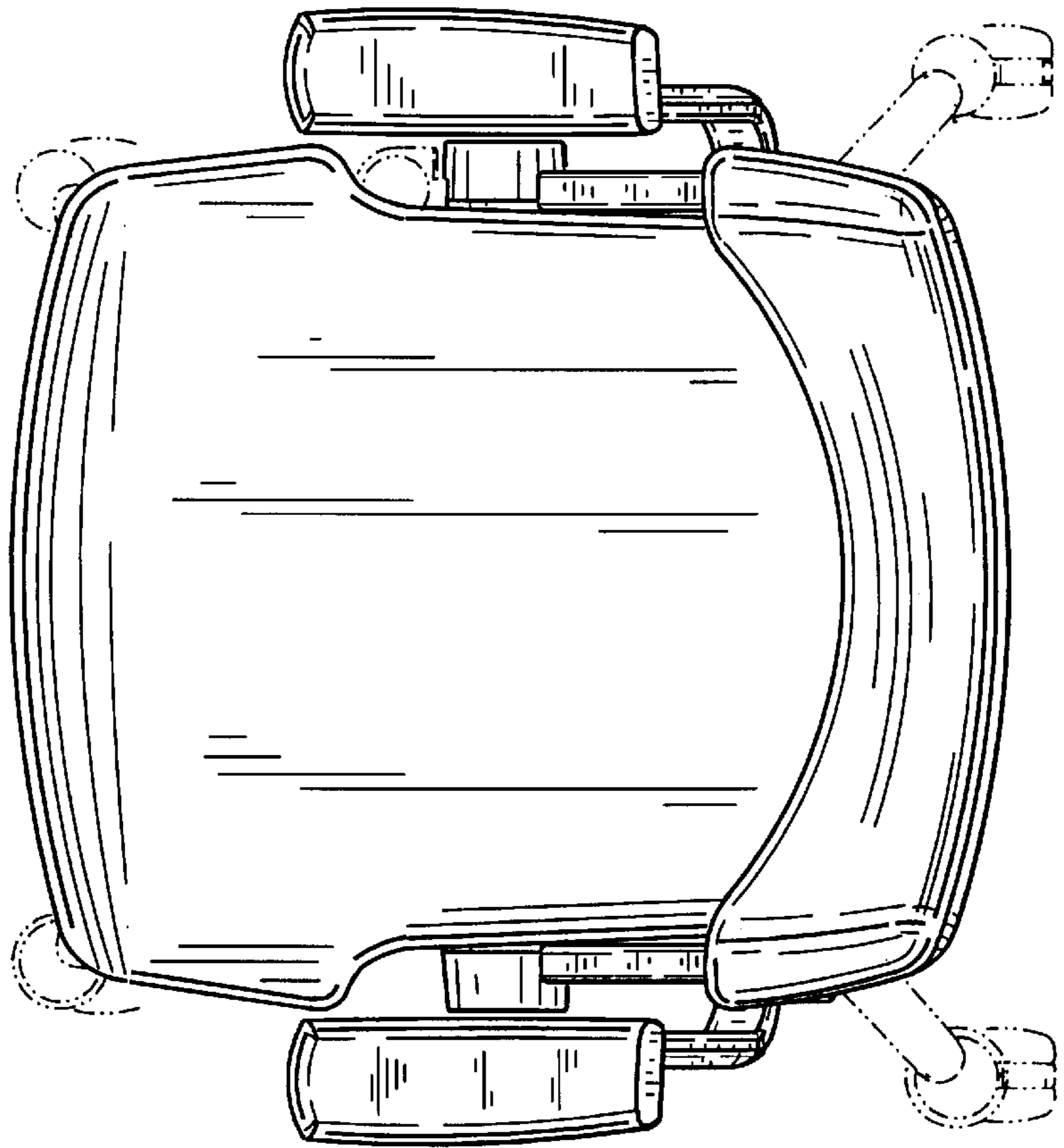


FIG. 23

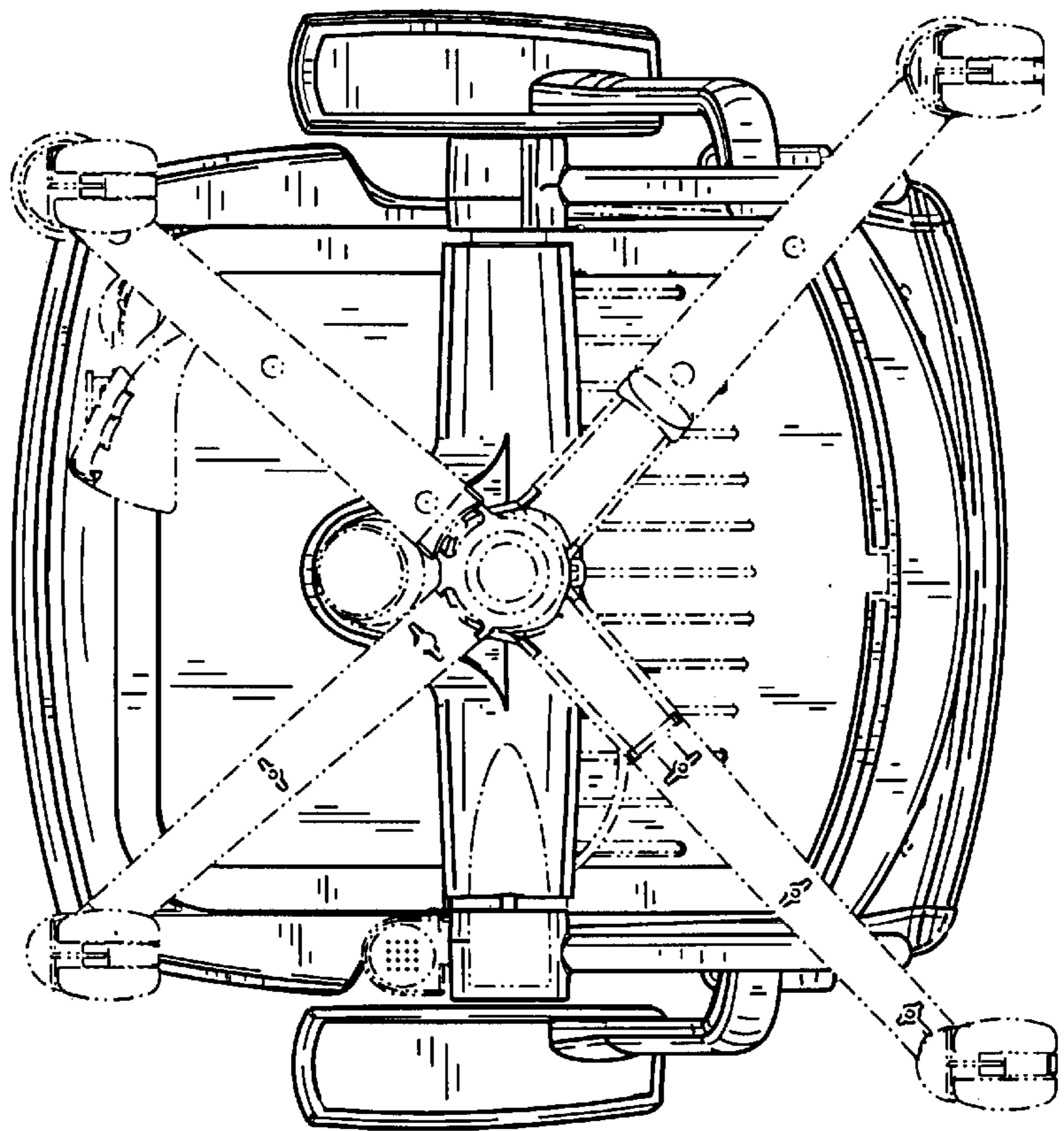


FIG. 24

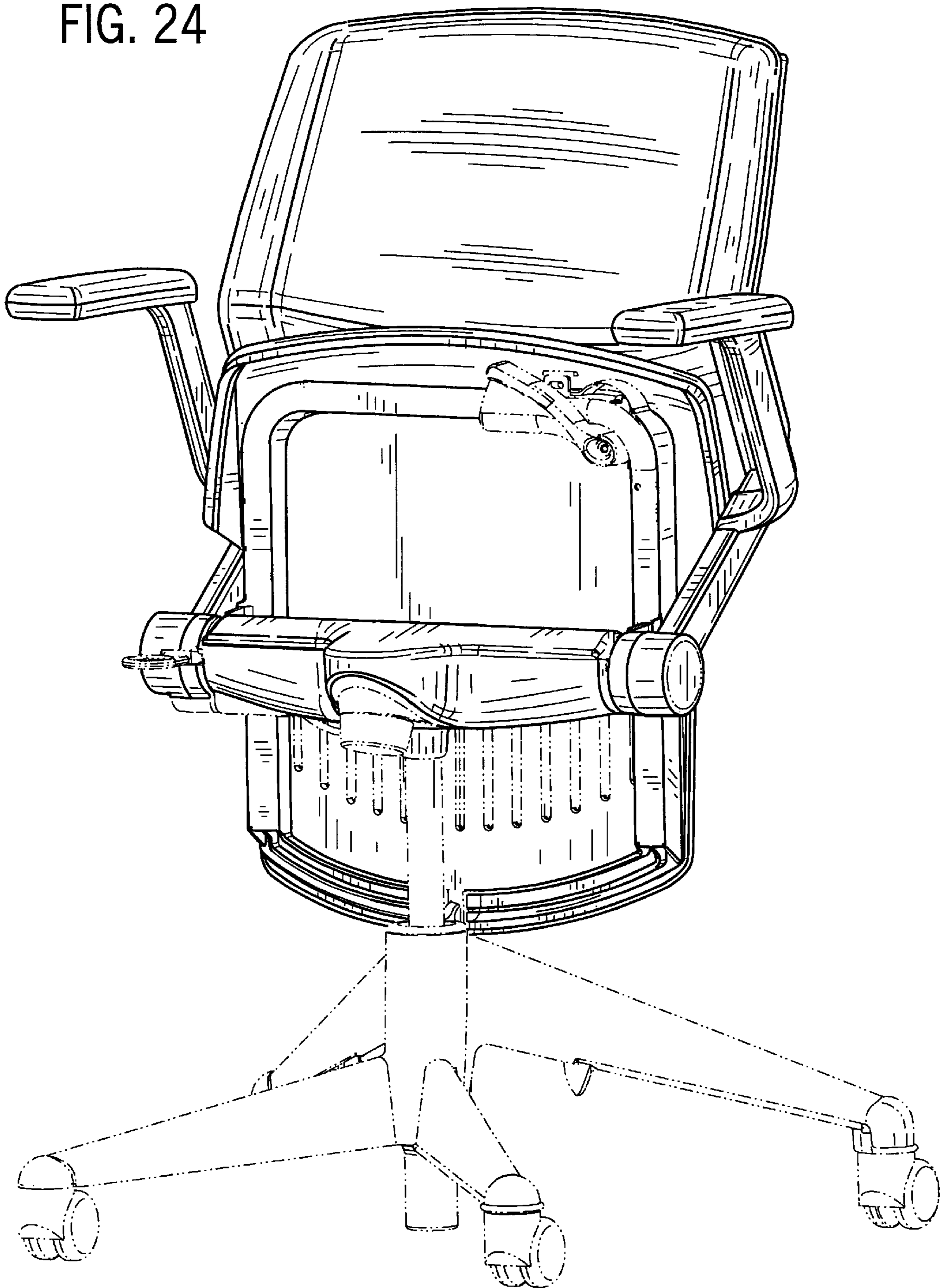


FIG. 25

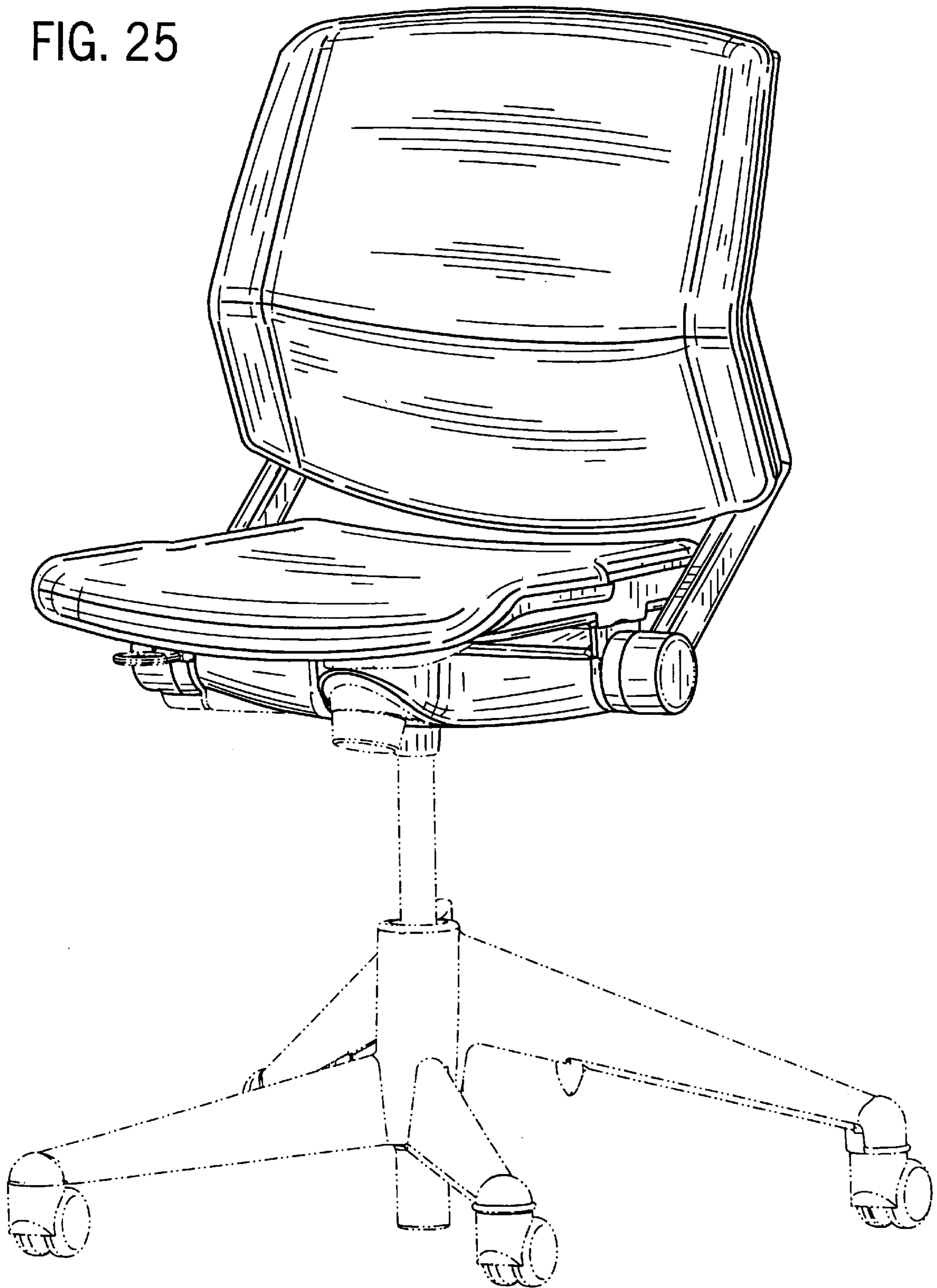


FIG. 26

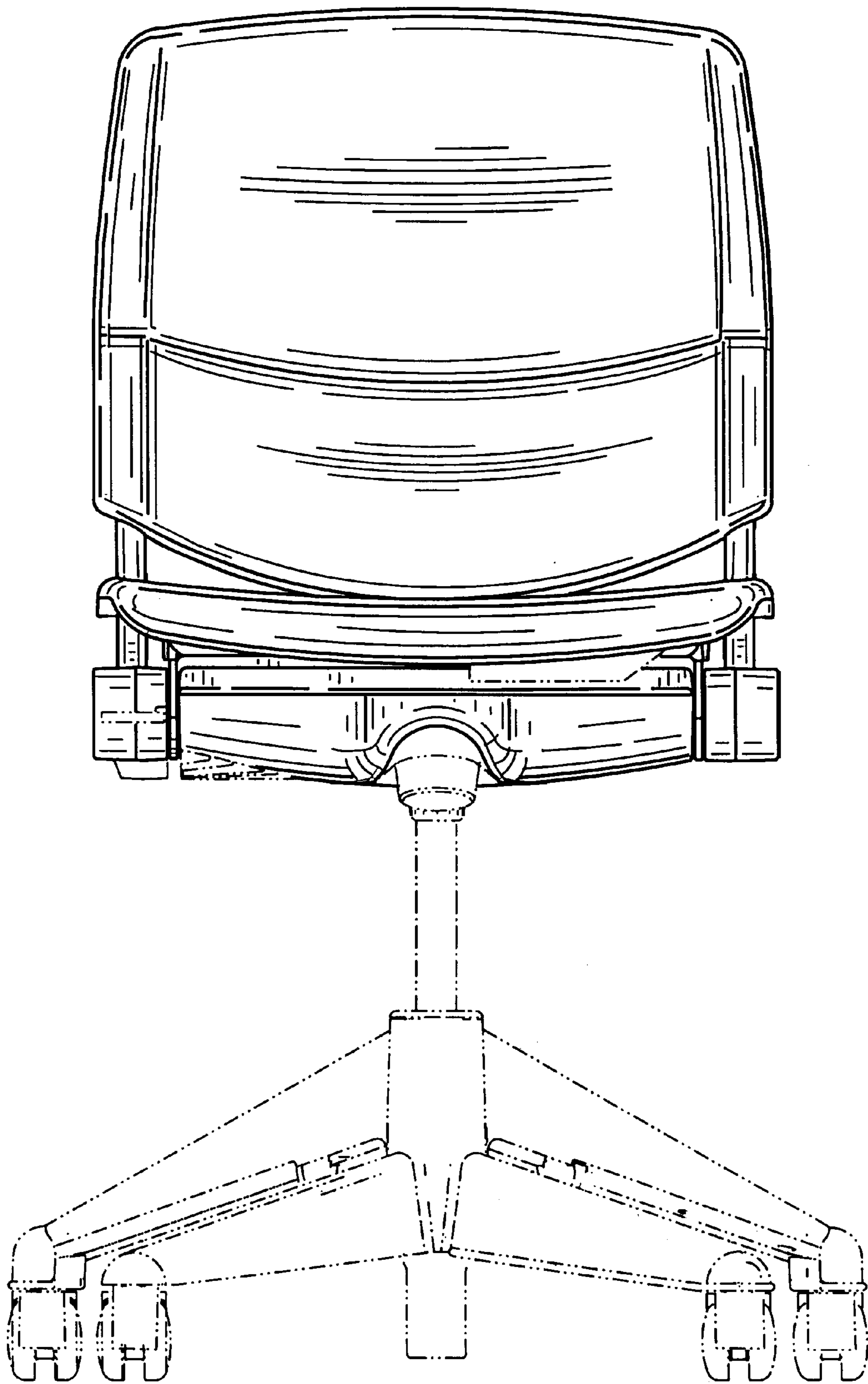


FIG. 27

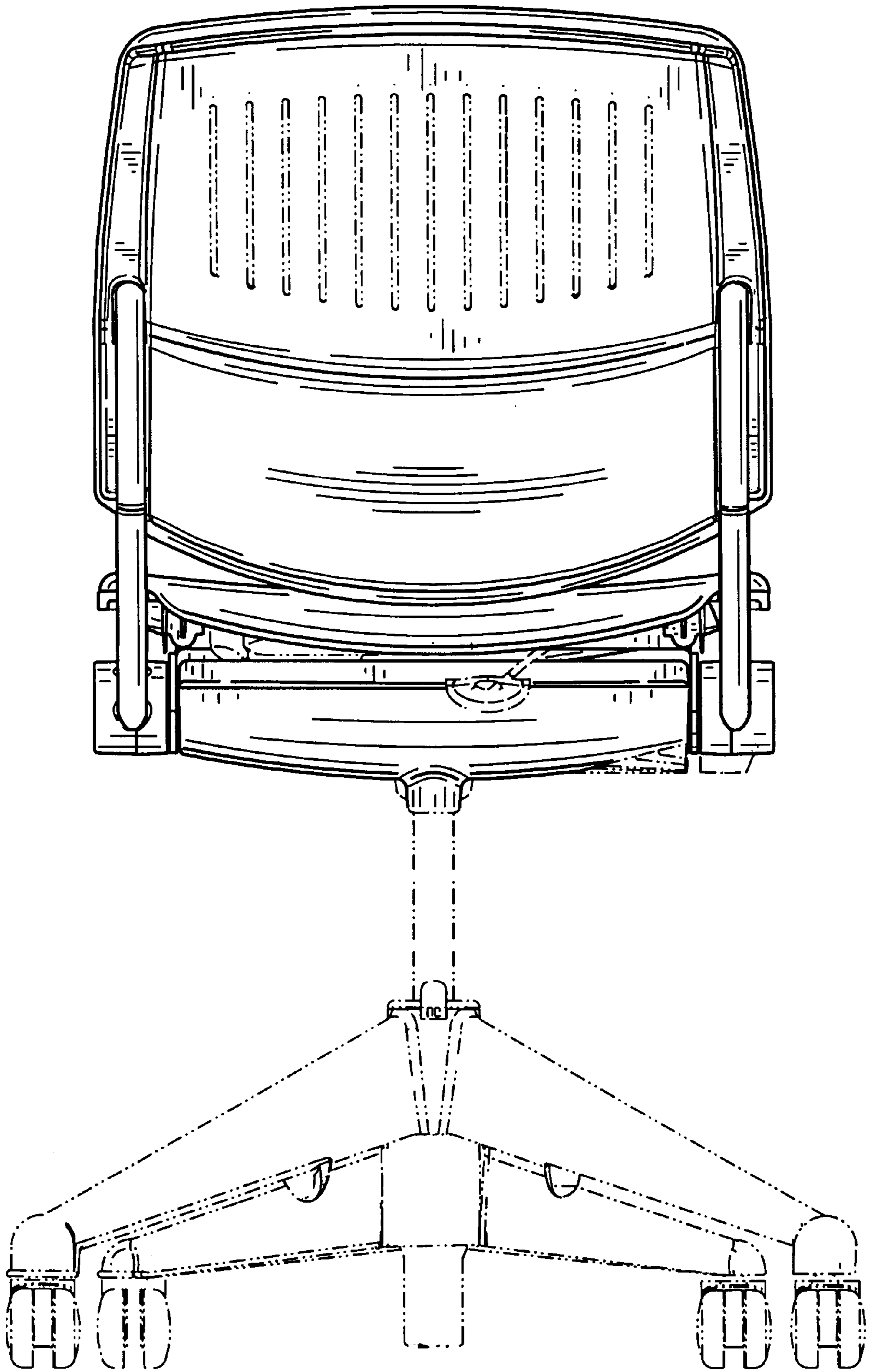


FIG. 28

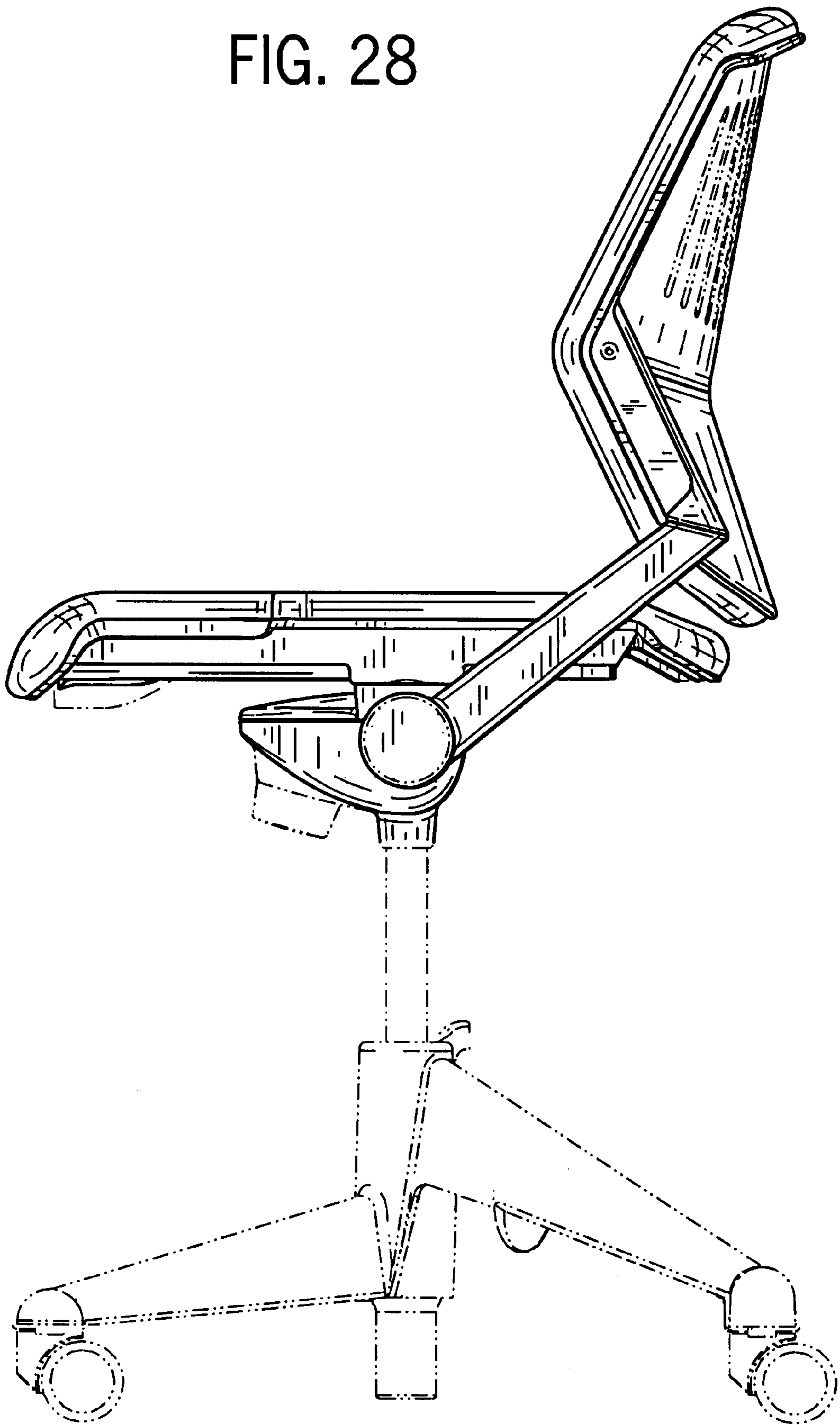


FIG. 29

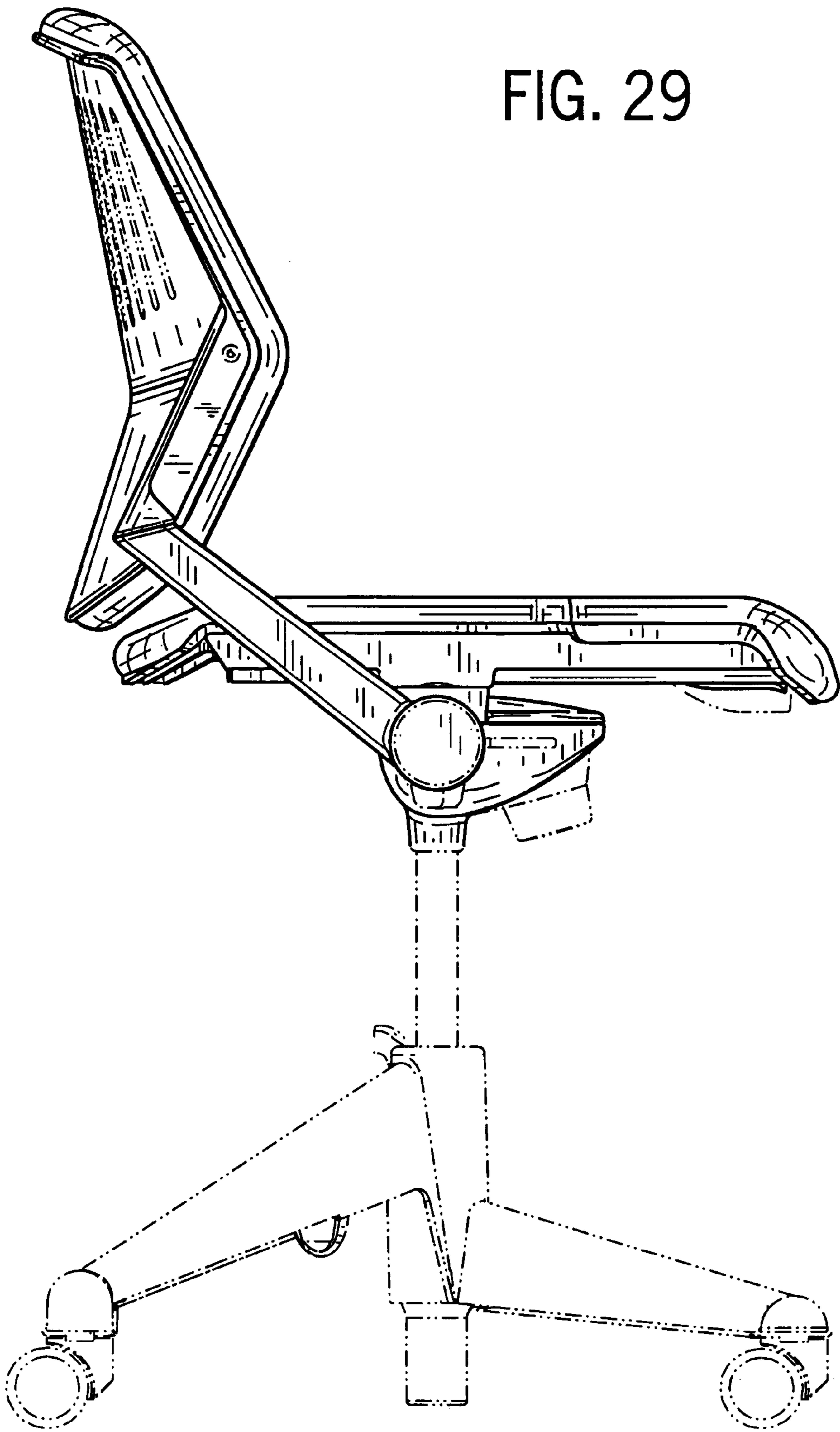


FIG. 30

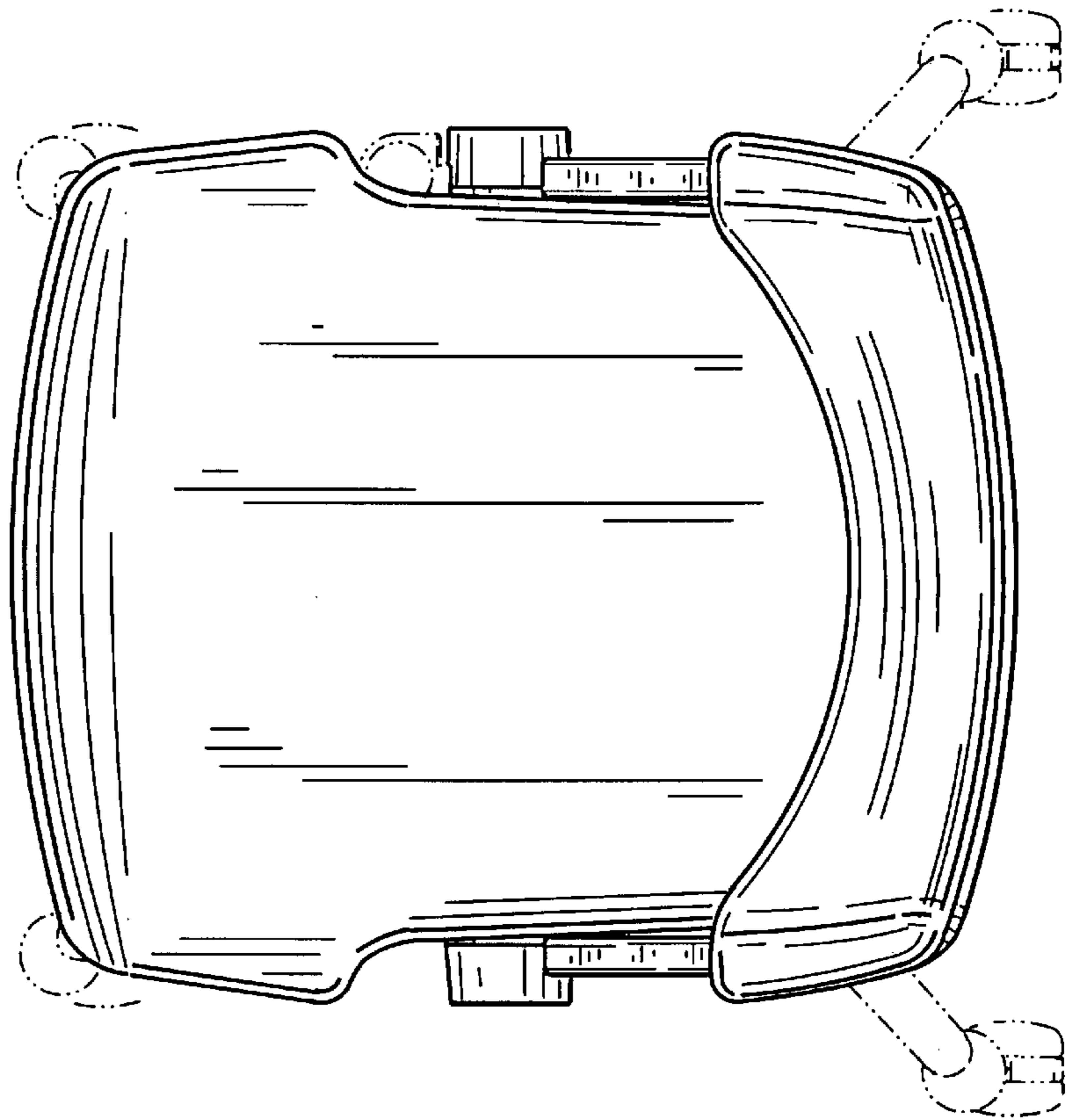


FIG. 31

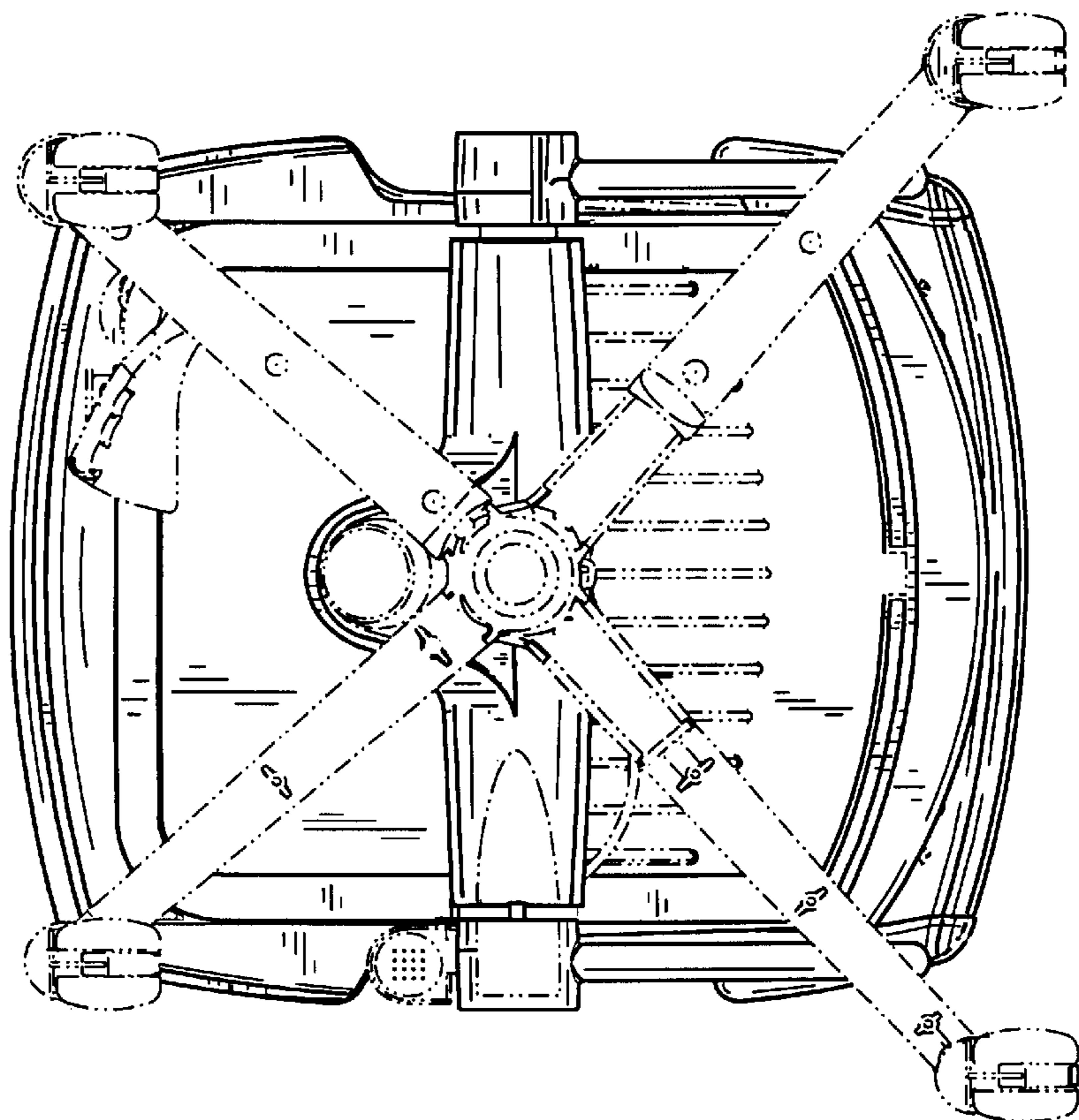


FIG. 32

