



US00D411927S

# United States Patent [19] Rhienen

[11] **Patent Number: Des. 411,927**  
[45] **Date of Patent: \*\* Jul. 13, 1999**

[54] **OCTAGON TABLE WITH FOUR LEGS**

[75] Inventor: **Alphons Van Rhienen**, Schoten, Belgium

[73] Assignee: **Euro United Corporation**, Mississauga, Canada

[\*\*] Term: **14 Years**

[21] Appl. No.: **29/095,678**

[22] Filed: **Oct. 28, 1998**

D. 362,983 10/1995 Magnusson ..... D6/480  
D. 377,010 12/1996 Bennett ..... D6/359  
D. 378,479 3/1997 Smith ..... D6/477  
D. 386,332 11/1997 Grosfillex ..... D6/498

*Primary Examiner*—Janice E. Seeger  
*Attorney, Agent, or Firm*—Barrigar & Moss

## [57] CLAIM

The ornamental design for octagon table with four legs, as shown and described.

### Related U.S. Application Data

#### [30] Foreign Application Priority Data

Aug. 28, 1998 [CA] Canada ..... 1998-2085

[51] **LOC (6) Cl.** ..... **06-03**

[52] **U.S. Cl.** ..... **D6/480**

[58] **Field of Search** ..... D6/480-489, 495-499, D6/511, 436, 477; 408/50.12, 153.1, 155, 156, 157.1, 161; 248/188, 188.1, 188.7, 188.8

### DESCRIPTION

FIG. 1 is a perspective view of the design, this view being taken from above;

FIG. 2 is a top view of the design;

FIG. 3 is a first elevational view of the design;

FIG. 4 is a second elevational view of the design; and,

FIG. 5 is a bottom view of the design.

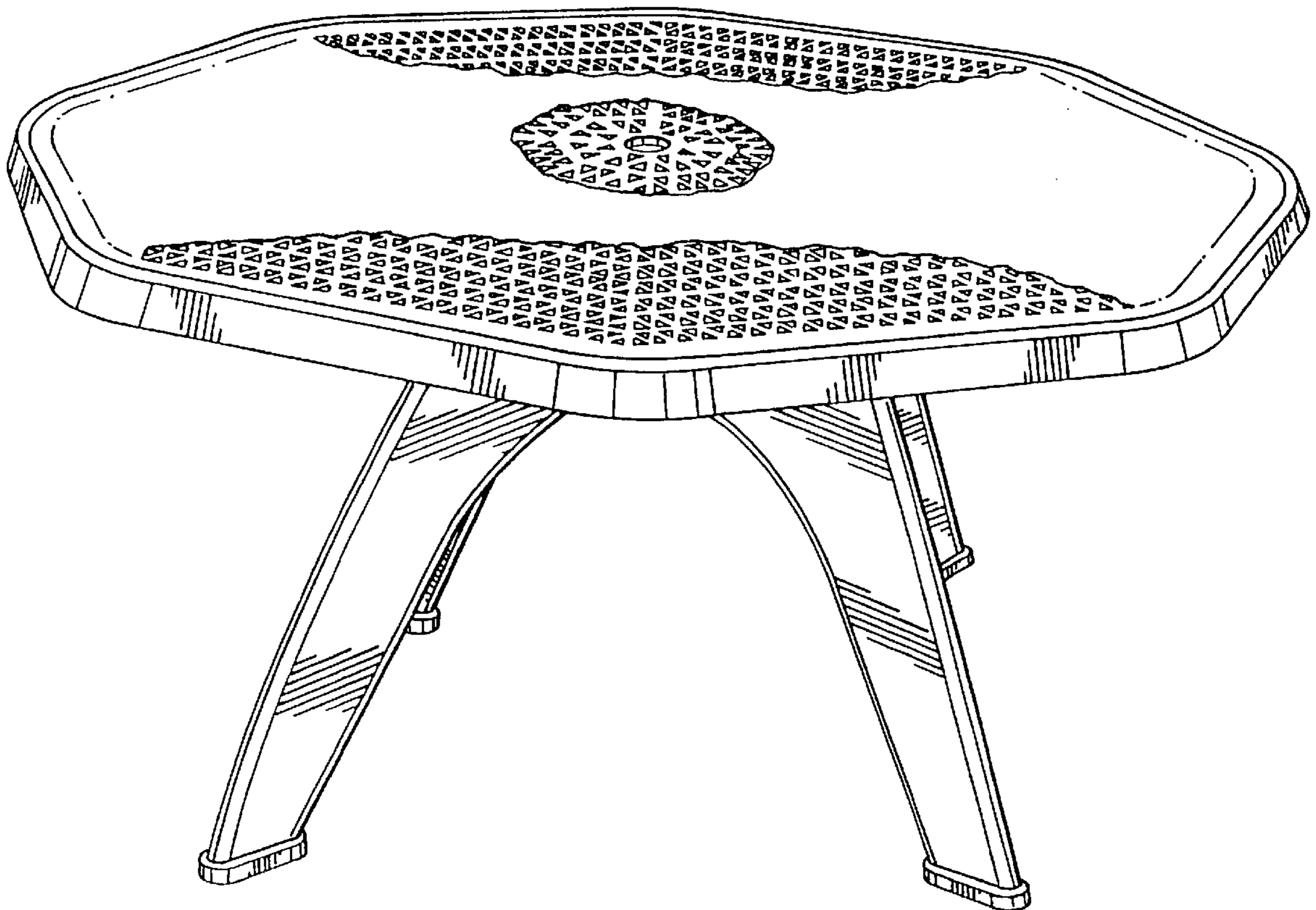
The pattern on the table top in FIGS. 1 and 2 is continuous throughout.

### [56] References Cited

#### U.S. PATENT DOCUMENTS

D. 359,639 6/1995 Noll ..... D6/487

**1 Claim, 3 Drawing Sheets**



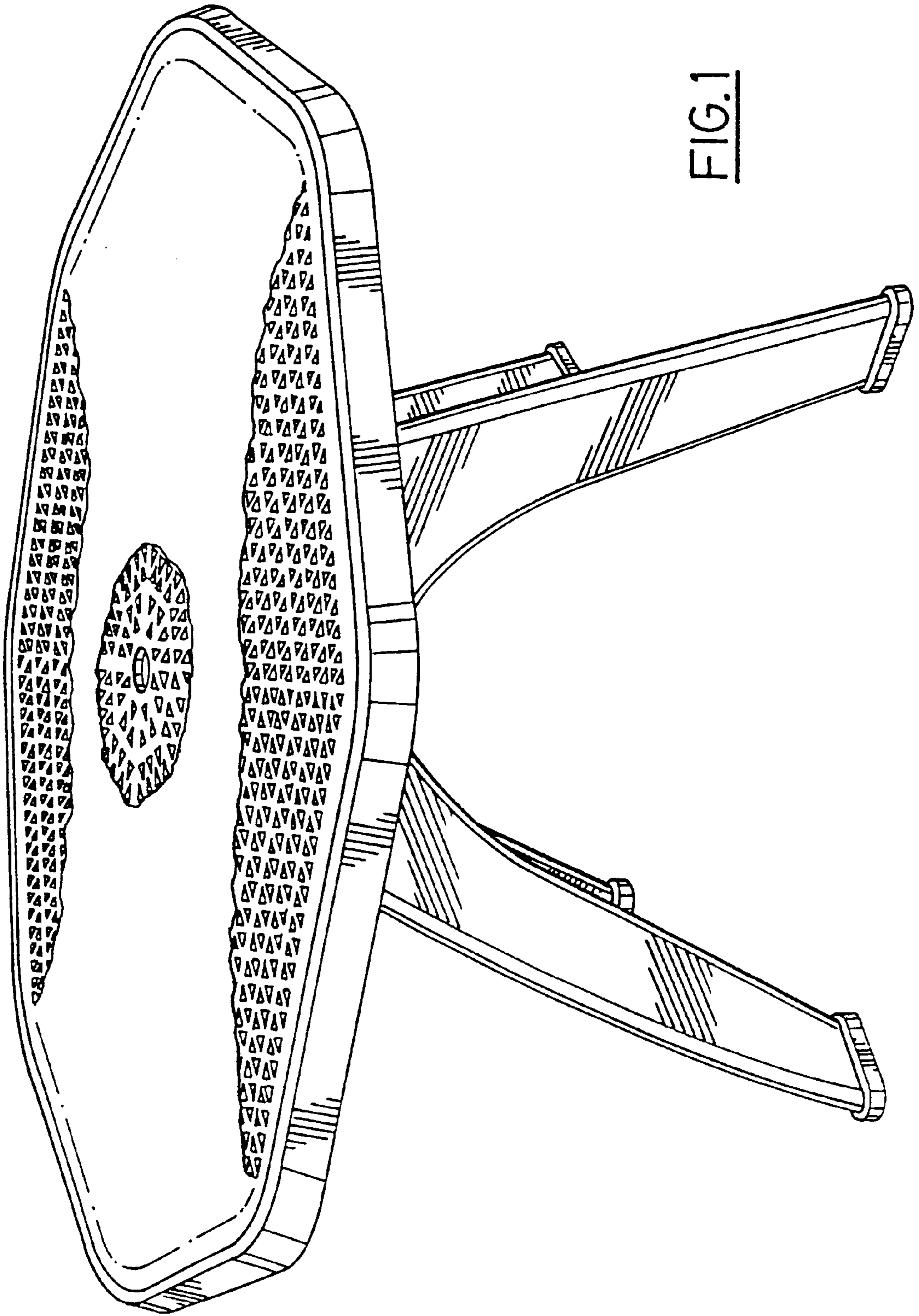


FIG. 1

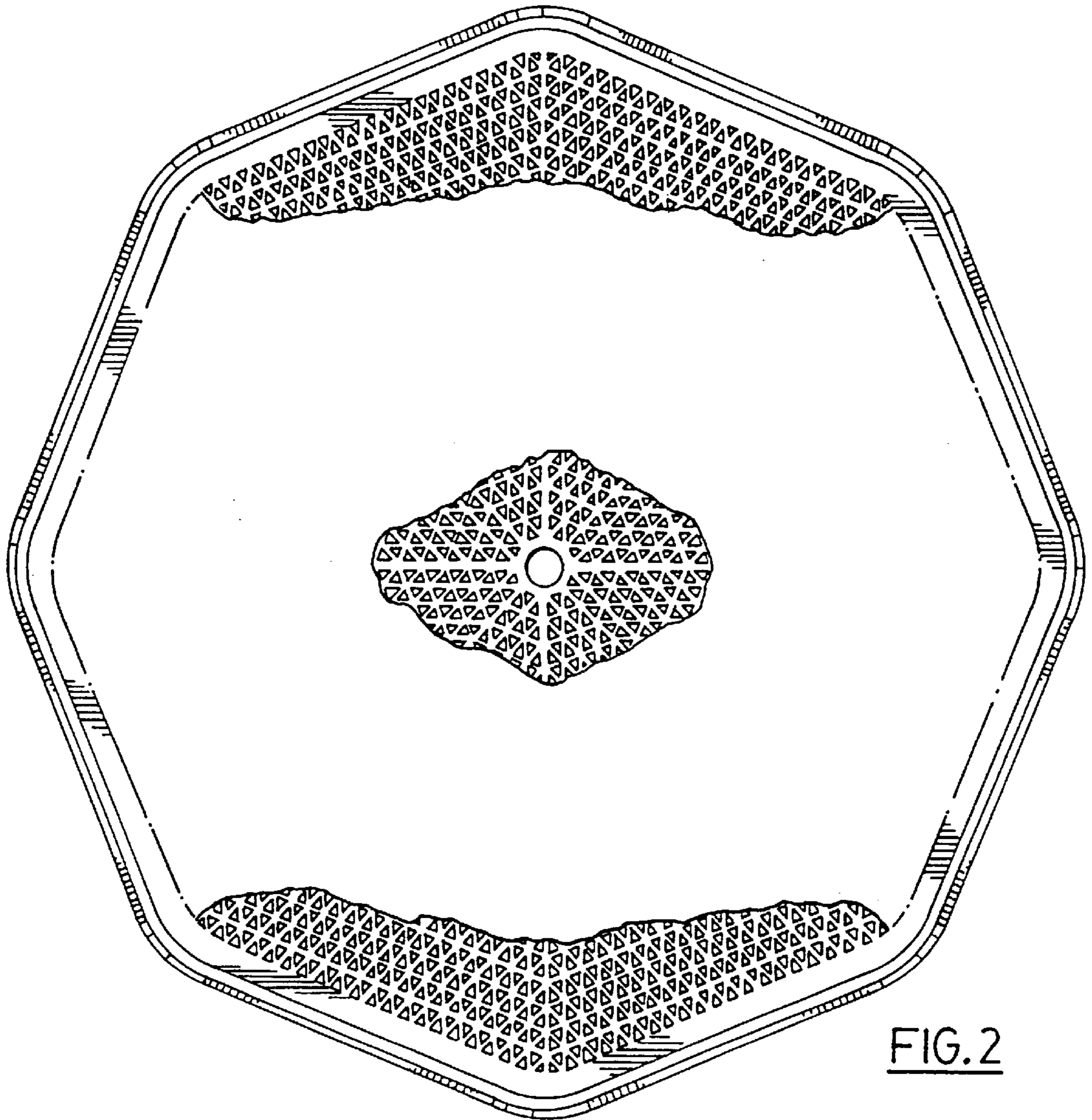


FIG. 2

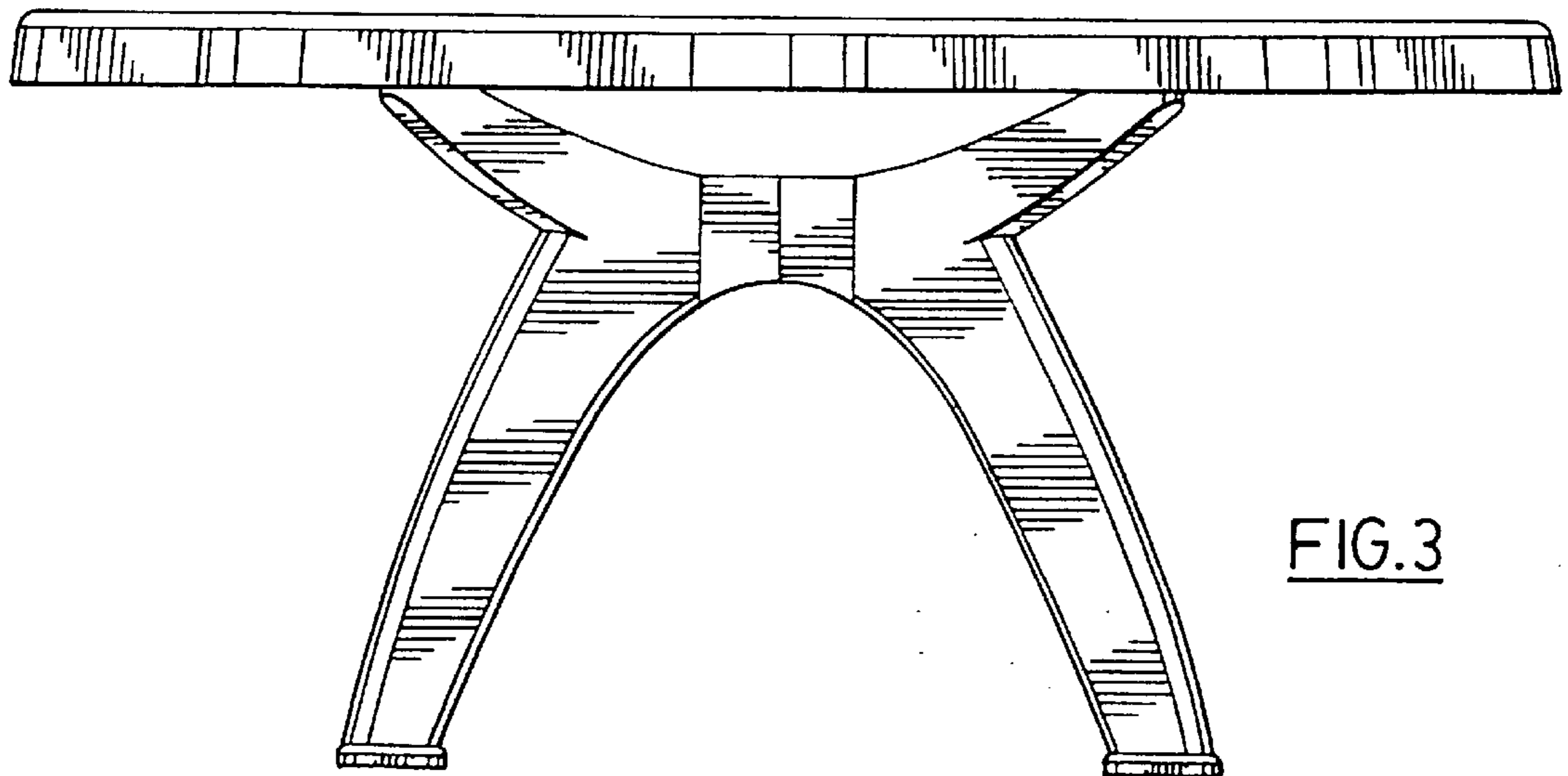


FIG. 3

