



US00D411926S

# United States Patent [19]

Brown et al.

[11] Patent Number: Des. 411,926

[45] Date of Patent: \*\* Jul. 13, 1999

[54] DESK

3,034,841 5/1962 Blevins ..... 108/92

[75] Inventors: **Guy Brown; Neville Waisbrod**, both of Wellington, New Zealand

### FOREIGN PATENT DOCUMENTS

131395	9/1997	Australia .
131396	9/1997	Australia .
28296	7/1997	New Zealand .
28297	7/1997	New Zealand .

[73] Assignee: **Formway Furniture Limited**, Wellington, New Zealand

[\*\*] Term: **14 Years**

*Primary Examiner*—Janice E. Seeger  
*Attorney, Agent, or Firm*—Workman, Nydegger, & Seeley

[21] Appl. No.: **29/092,444**

### [57] CLAIM

[22] Filed: **Aug. 19, 1998**

The ornamental design for a desk, as shown and described.

### Related U.S. Application Data

### DESCRIPTION

### [30] Foreign Application Priority Data

Feb. 20, 1998 [NZ] New Zealand ..... 29134

FIG. 1 is a top perspective view of the inventive desk;  
 FIG. 2 is a bottom perspective view of the desk shown in FIG. 1;  
 FIG. 3 is an elevated right side view of the desk shown in FIG. 1;  
 FIG. 4 is an elevated rear side view of the desk shown in FIG. 1;  
 FIG. 5 is an elevated left side view of the desk shown in FIG. 1;  
 FIG. 6 is an elevated front side view of the desk shown in FIG. 1;  
 FIG. 7 is a top plan view of the desk shown in FIG. 1; and,  
 FIG. 8 is a bottom plan view of the desk shown in FIG. 1.

[51] LOC (6) Cl. .... **06-03**

[52] U.S. Cl. .... **D6/429; D6/482; D6/483**

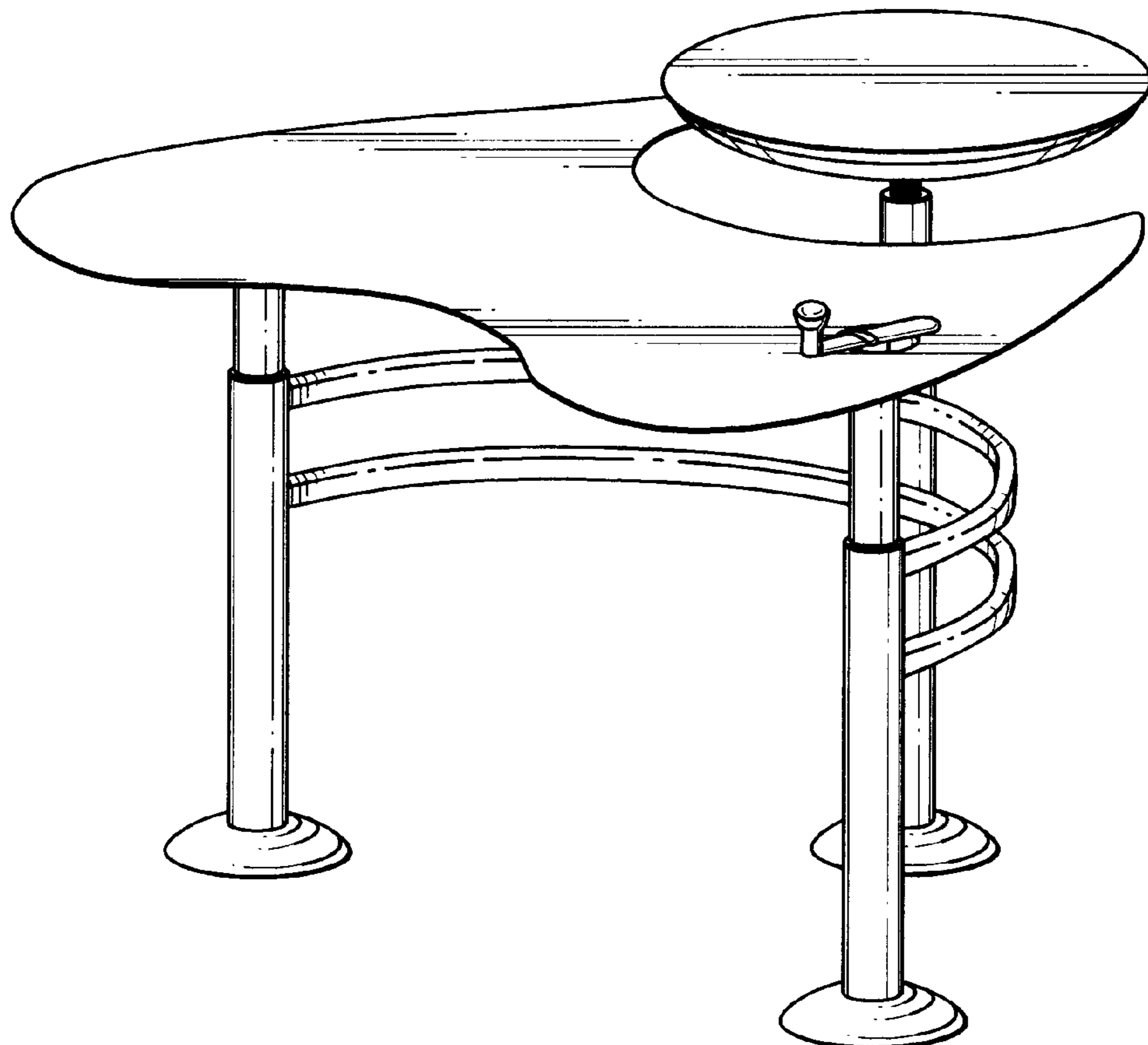
[58] Field of Search ..... D6/480-489, 495, D6/499, 423, 422, 427, 397; 108/153.1, 156, 161, 157.1, 92; 248/188.1, 188, 188.8

### [56] References Cited

#### U.S. PATENT DOCUMENTS

D. 291,751	9/1987	Salvato .....	D6/482
D. 349,416	8/1994	Shimogori .....	D6/482
D. 388,981	1/1998	Gongora et al. ....	D6/482

**1 Claim, 3 Drawing Sheets**



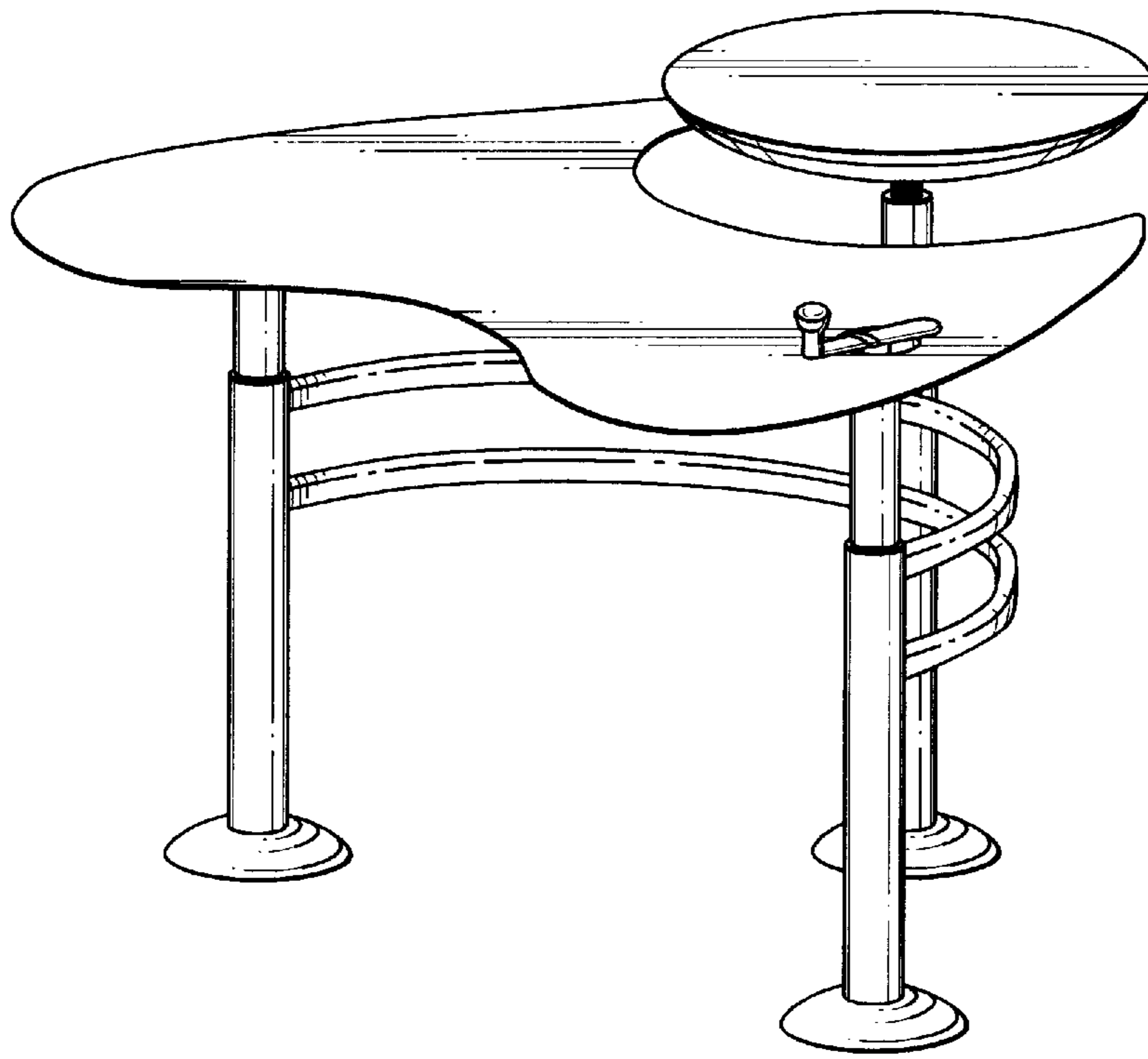


FIG. 1

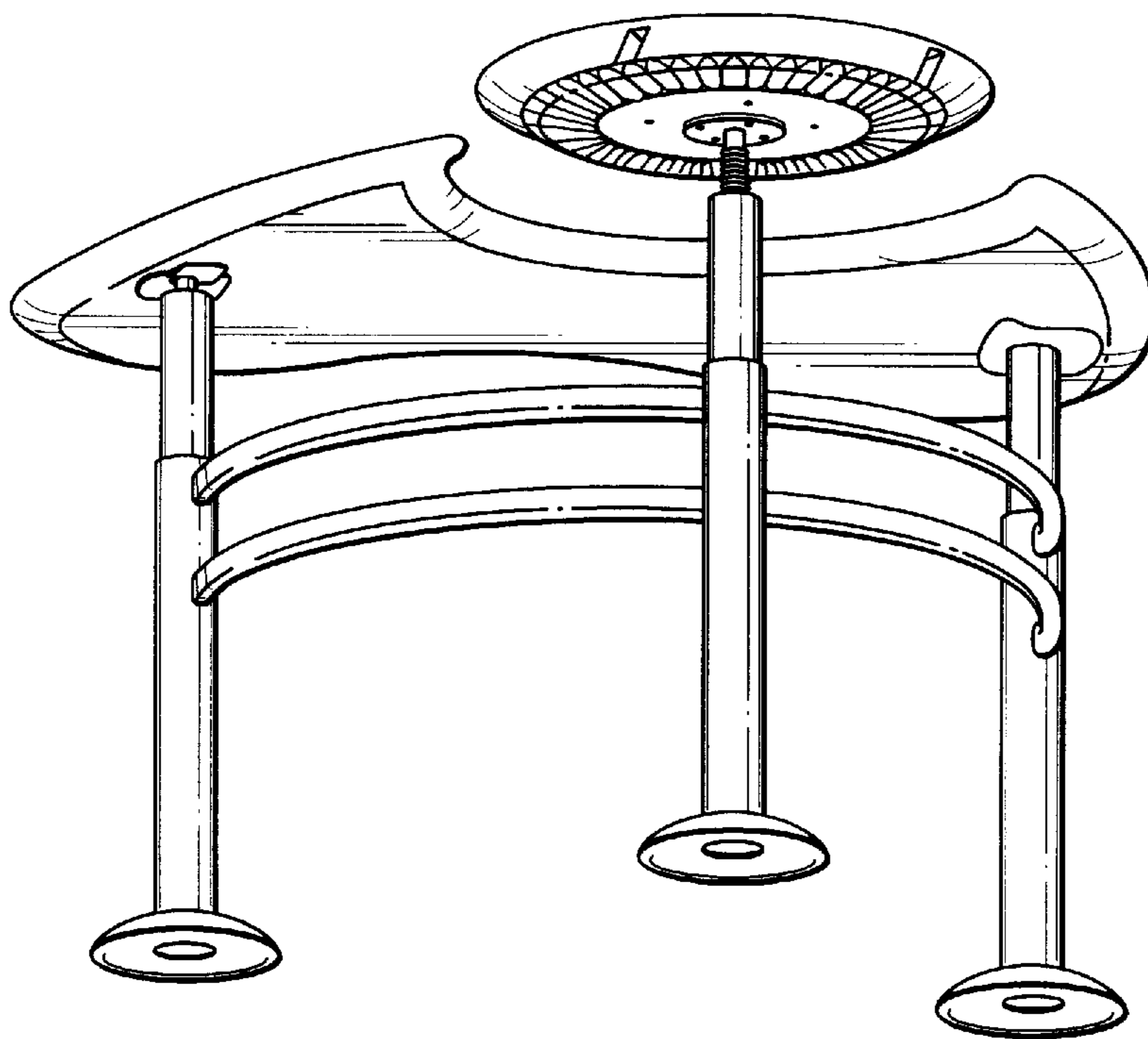


FIG. 2

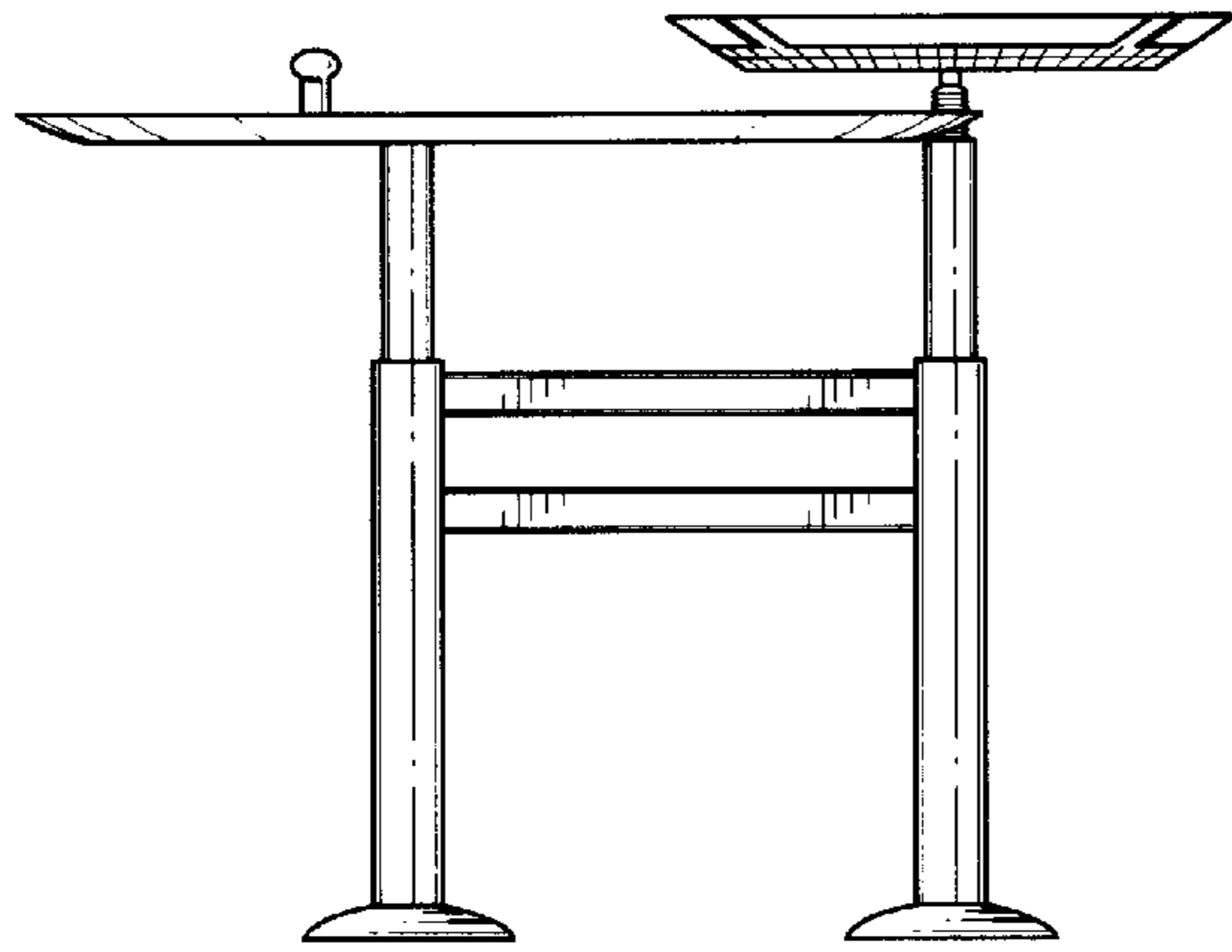


FIG. 3

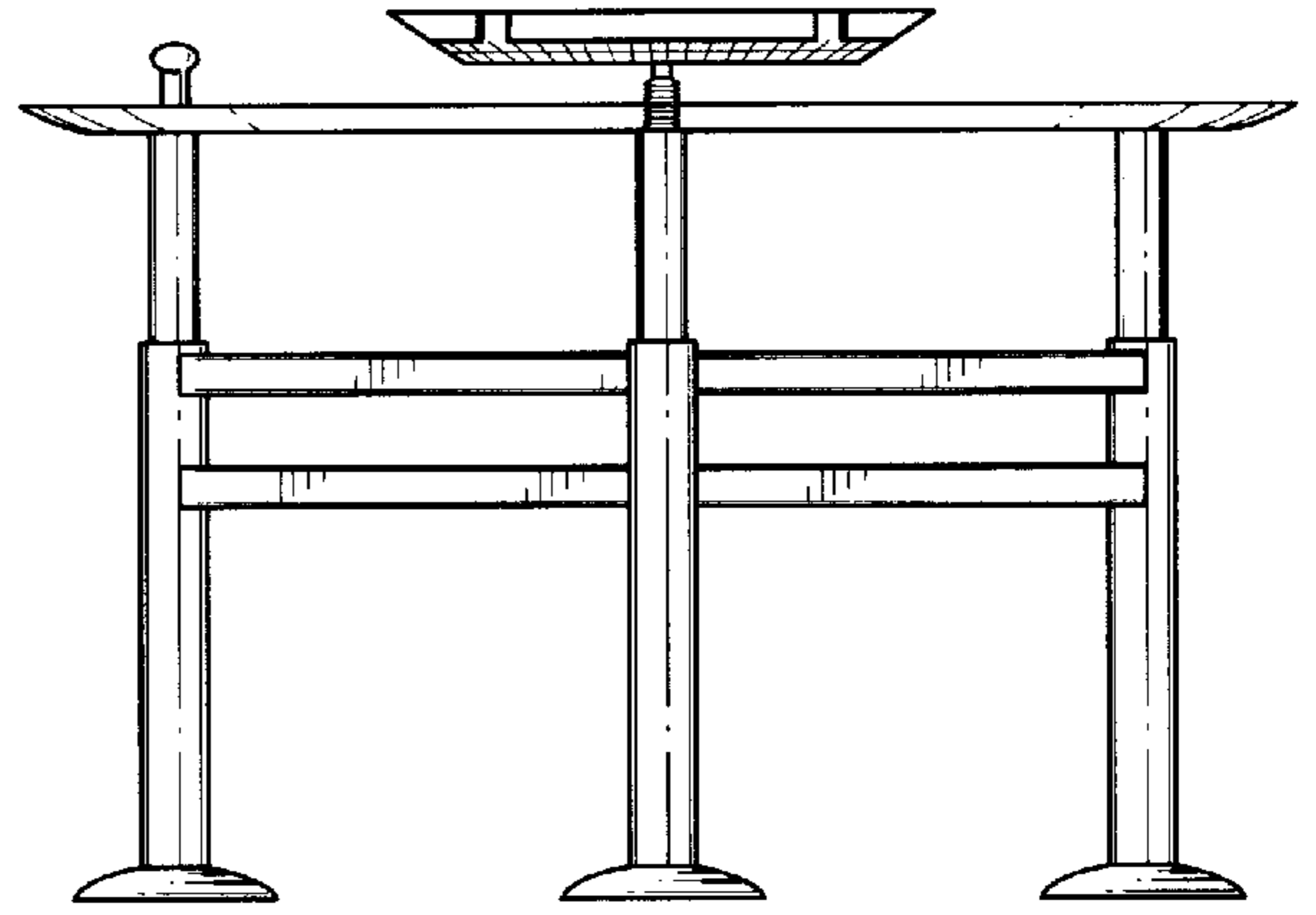


FIG. 4

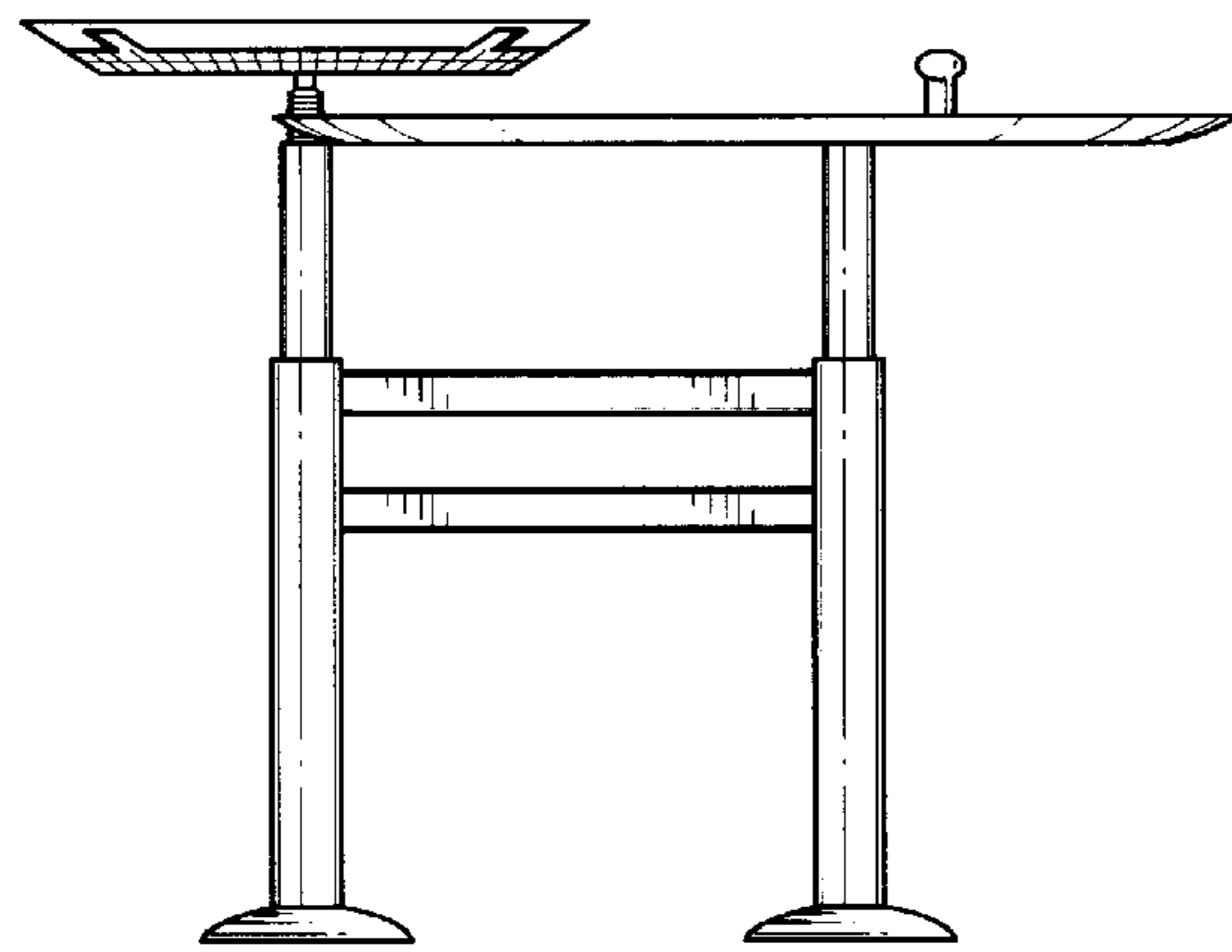


FIG. 5

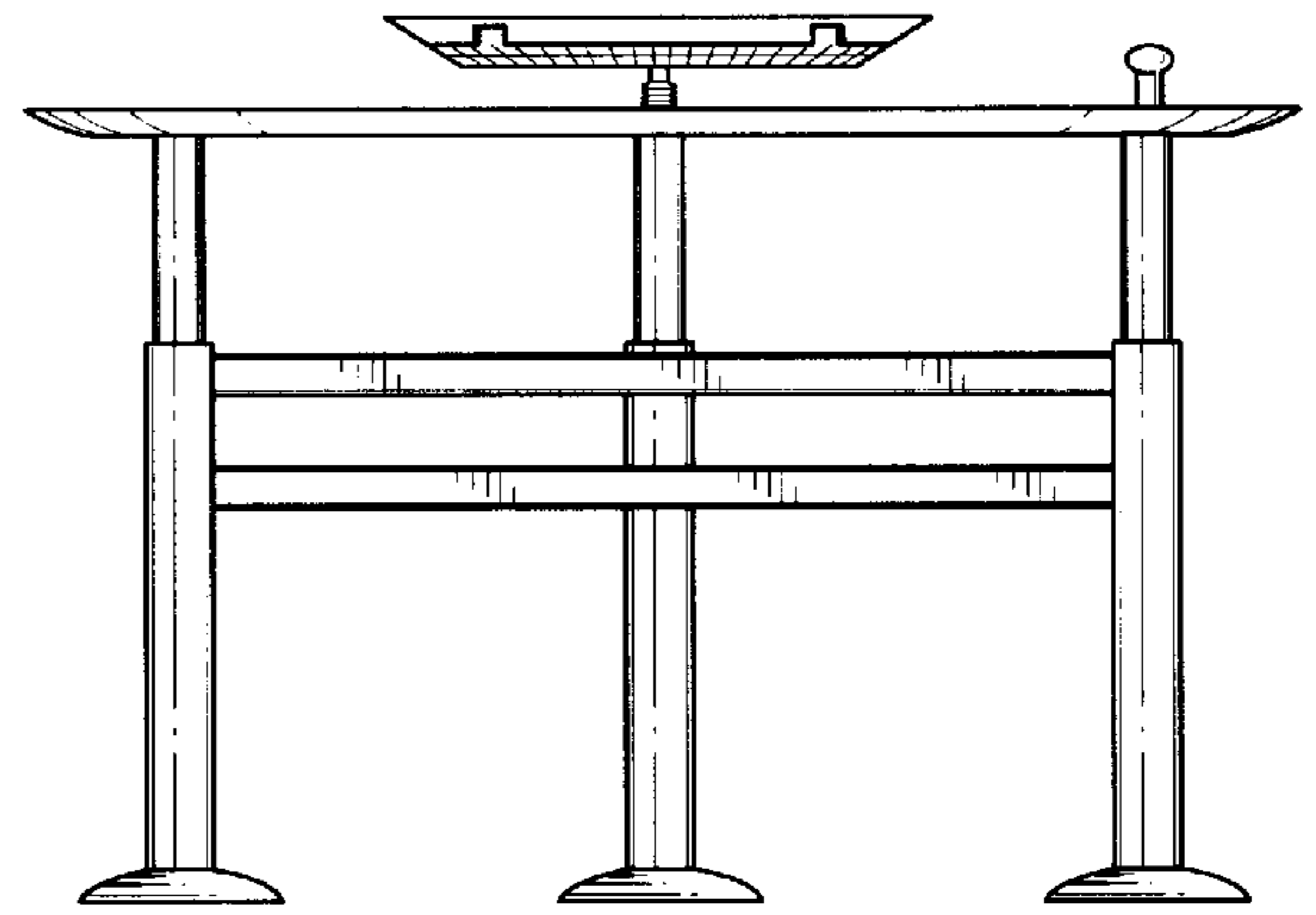


FIG. 6

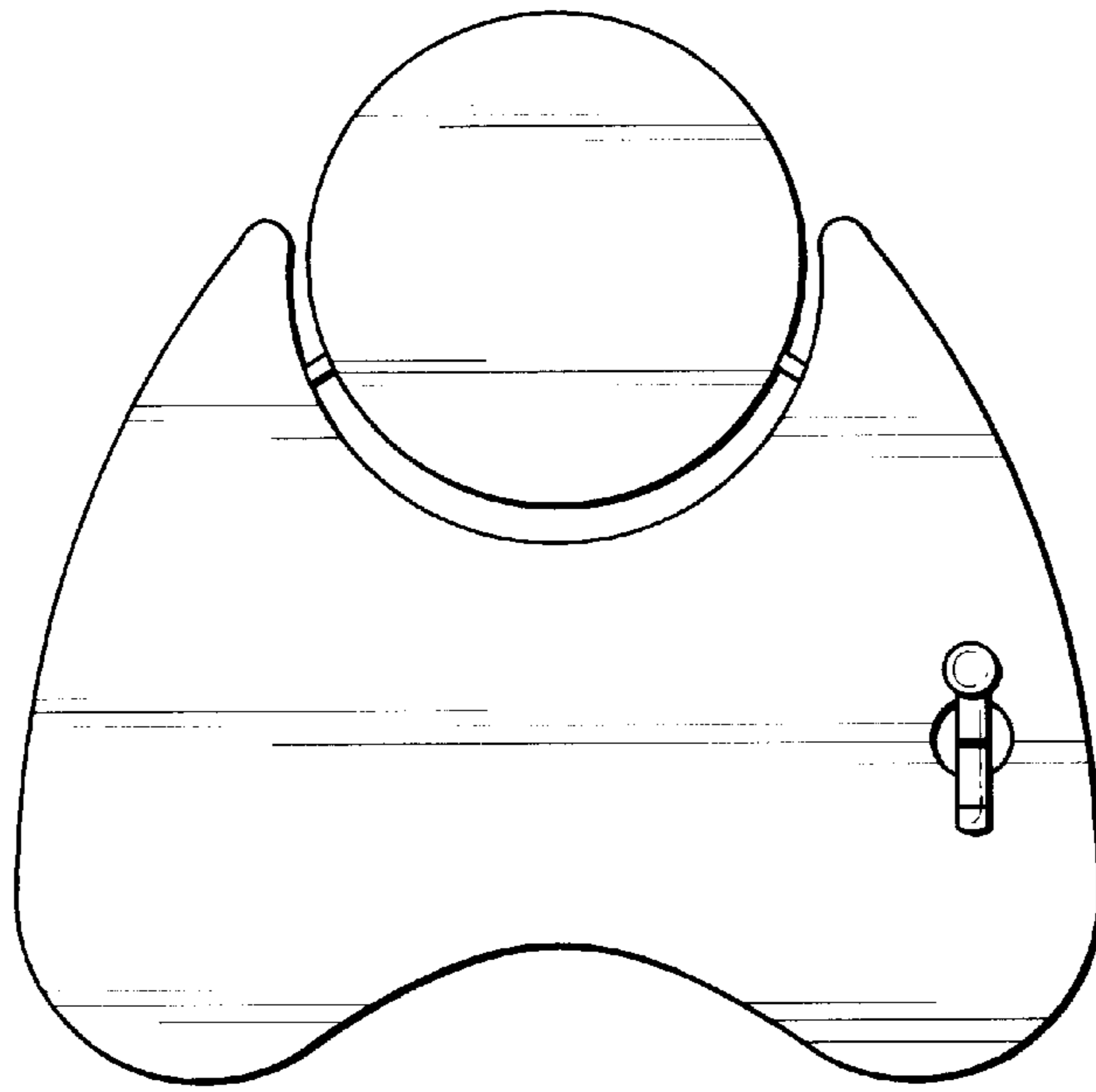


FIG. 7

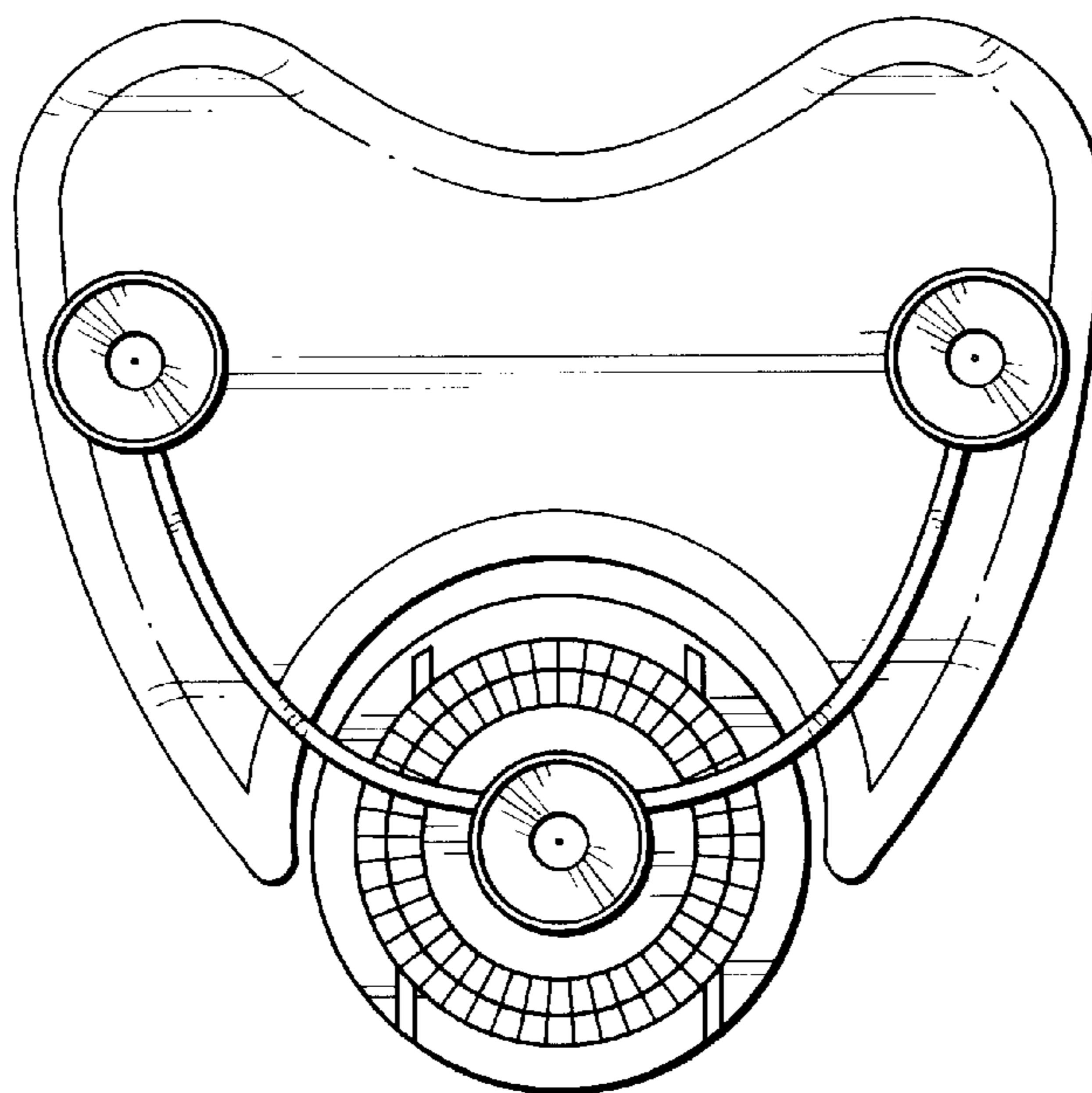


FIG. 8