



US00D411924S

United States Patent [19]
DeLoe

[11] **Patent Number: Des. 411,924**
[45] **Date of Patent: ** Jul. 13, 1999**

[54] **CHAIR**

[76] Inventor: **David DeLoe**, 3069 Pisgah Rd.,
Florence, S.C. 29501

[**] Term: **14 Years**

[21] Appl. No.: **29/097,746**

[22] Filed: **Dec. 11, 1998**

D. 334,297 3/1993 Rehmert D6/376
D. 358,501 5/1995 Hess D6/376
D. 361,906 9/1995 Arthur, Jr. D6/376
D. 403,873 1/1999 DeLoe D6/376

Primary Examiner—Gary D. Watson
Attorney, Agent, or Firm—Michael A Mann; Nexsen Pruet
Jacobs & Pollard LLP

Related U.S. Application Data

[62] Division of application No. 29/073,217, Jul. 3, 1997, Pat.
No. Des. 403,873.

[51] **LOC (6) Cl.** **06-01**

[52] **U.S. Cl.** **D6/376**

[58] **Field of Search** D6/334, 369, 374,
D6/376, 379, 380, 500, 501, 502; 297/445.1

[57] **CLAIM**

The ornamental design for a chair, as shown and described.

DESCRIPTION

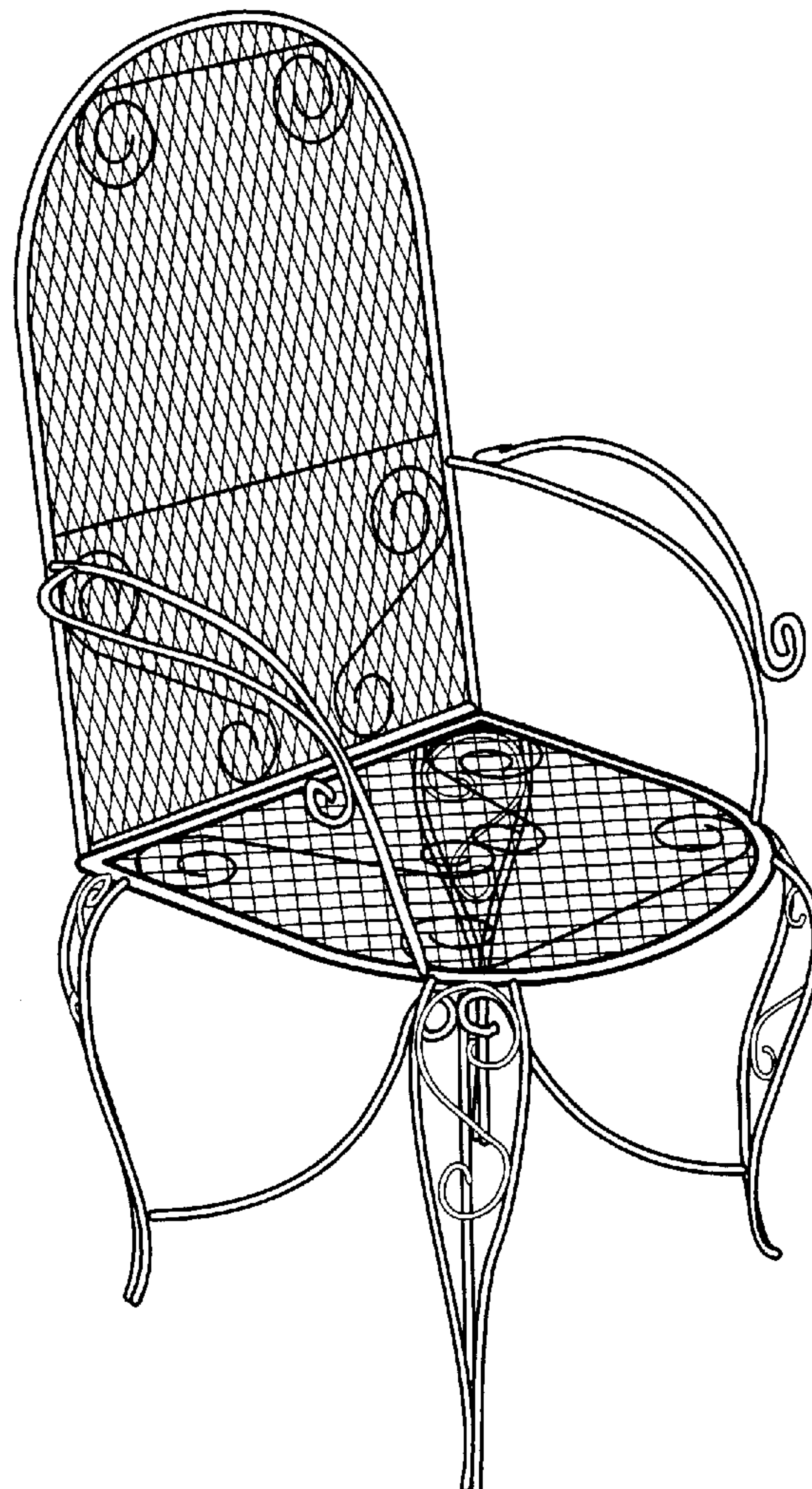
FIG. 1 is a perspective view of a chair showing my new design;
FIG. 2 is a right side view, the opposite side being a mirror image thereof;
FIG. 3 is a top view thereof;
FIG. 4 is a bottom view thereof;
FIG. 5 is front view thereof; and,
FIG. 6 is a back view thereof.

[56] **References Cited**

U.S. PATENT DOCUMENTS

D. 333,045 2/1993 Hess et al. D6/376

1 Claim, 2 Drawing Sheets



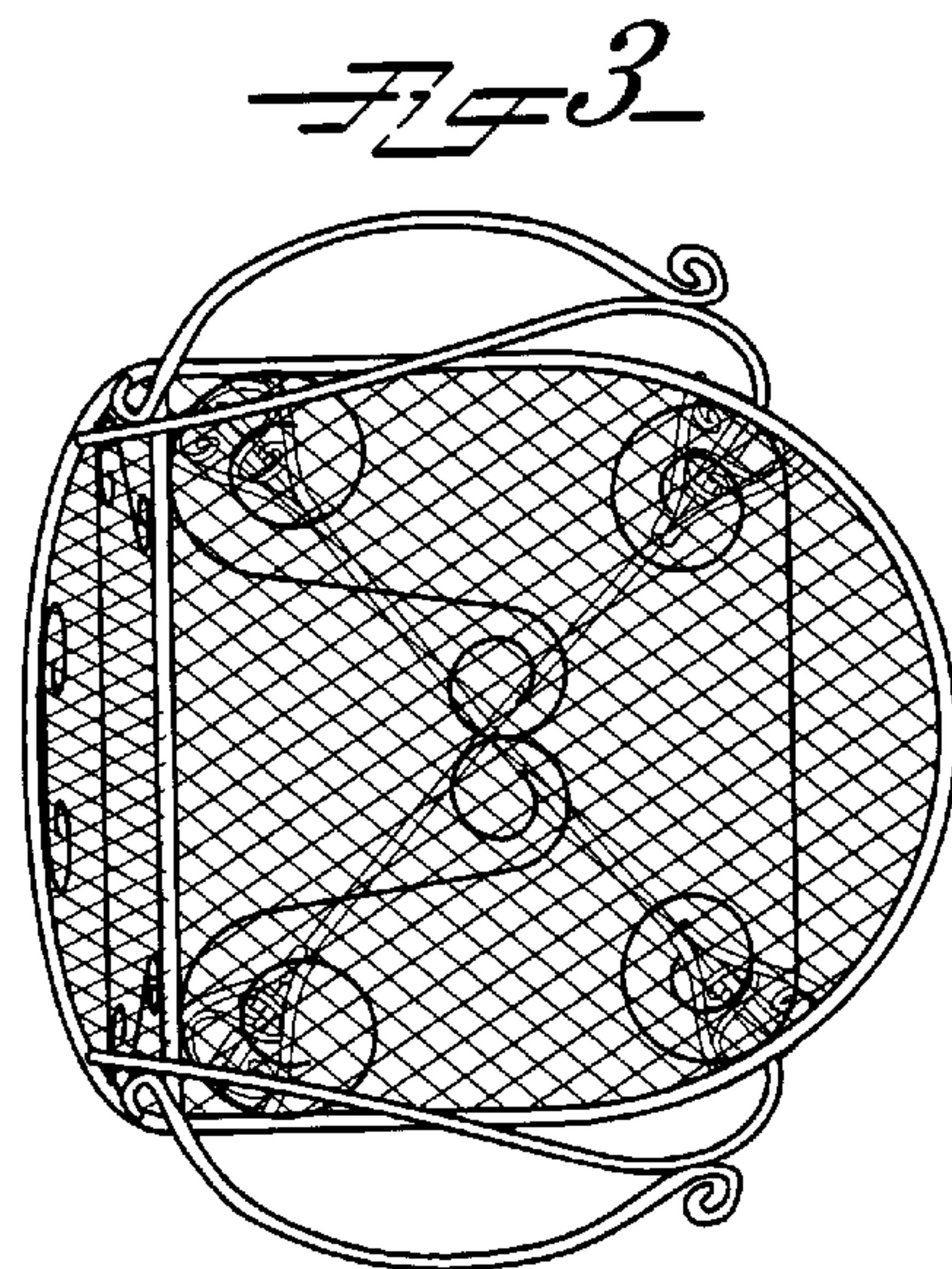
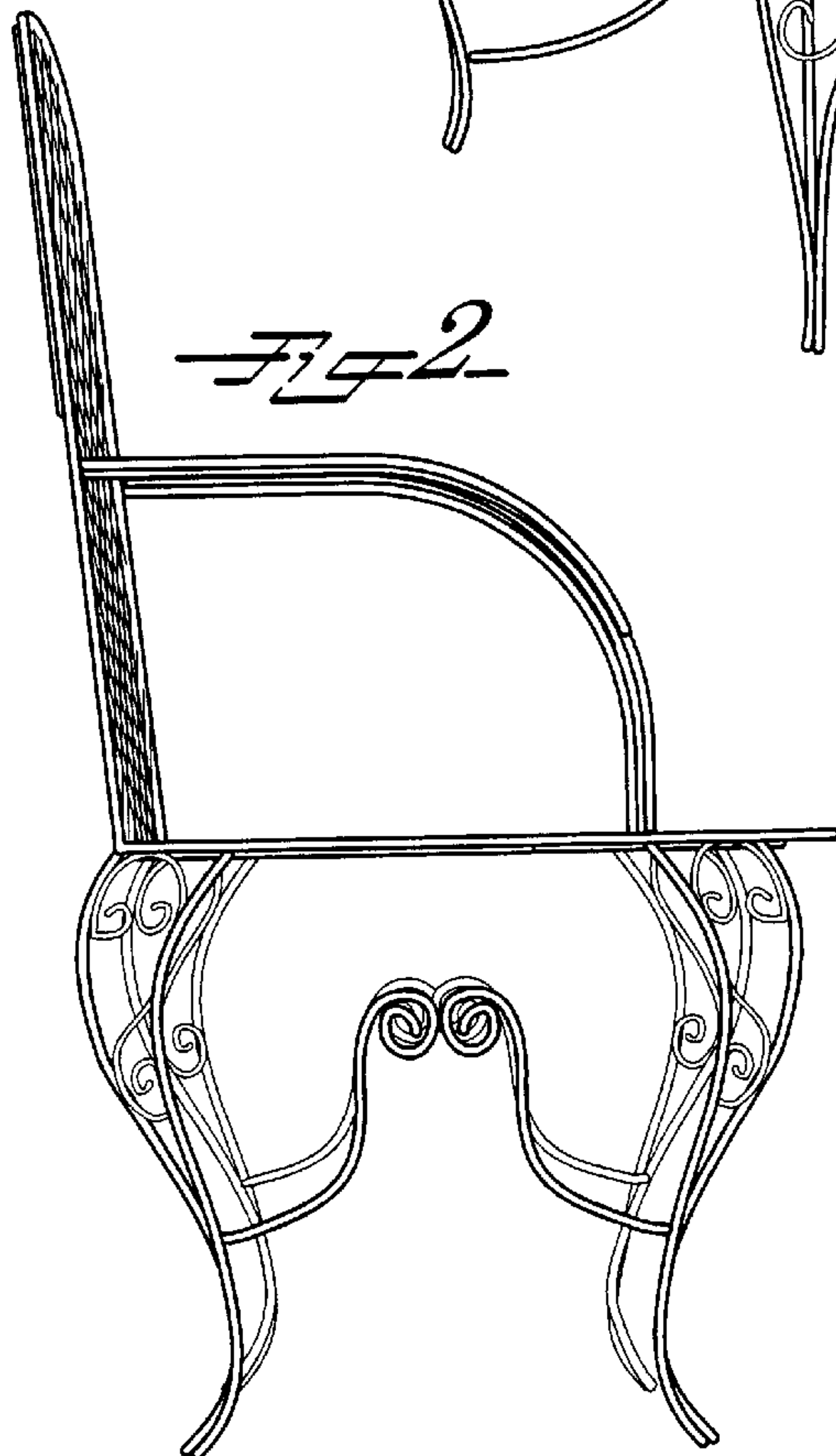
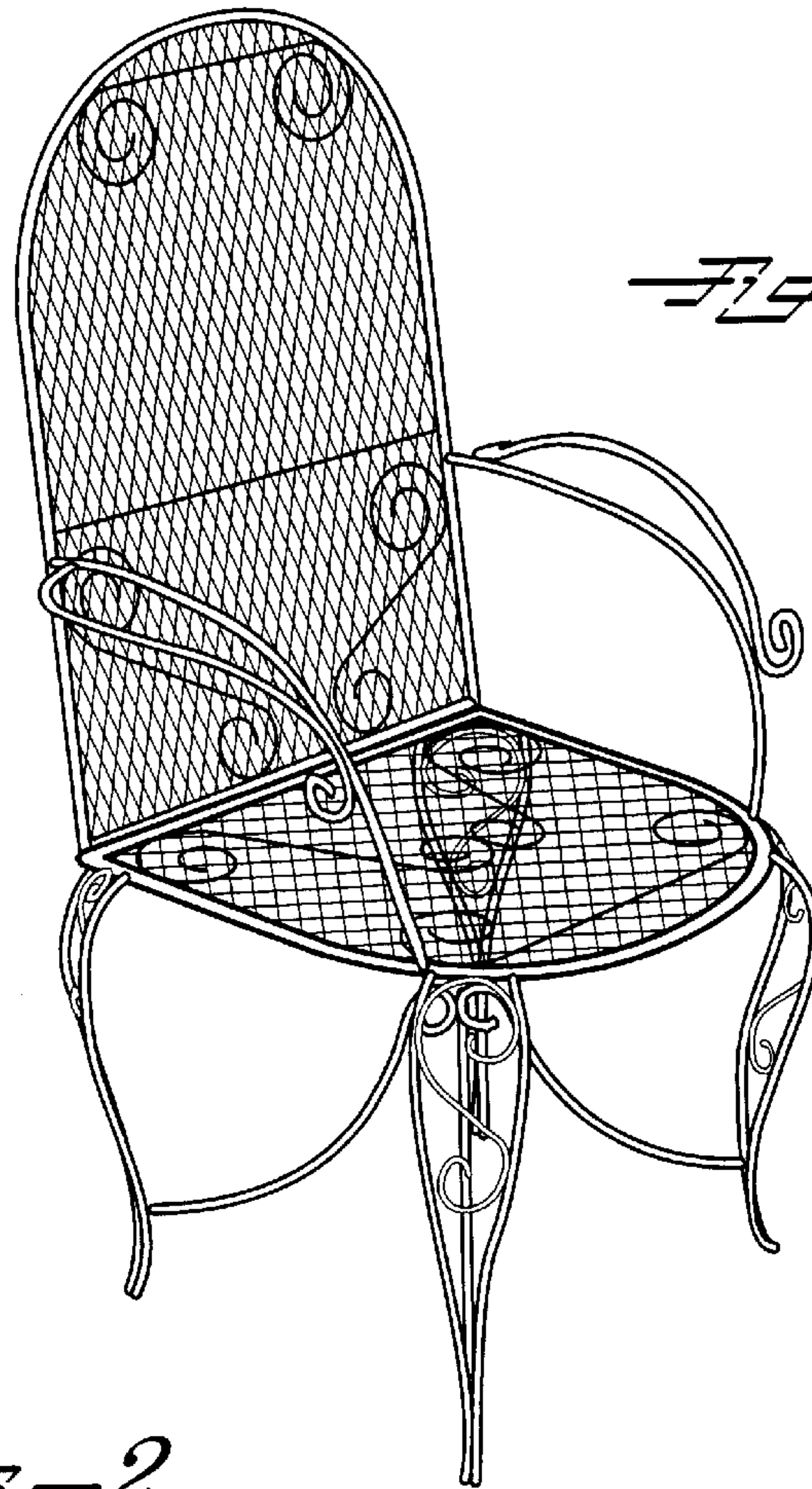


Fig 4

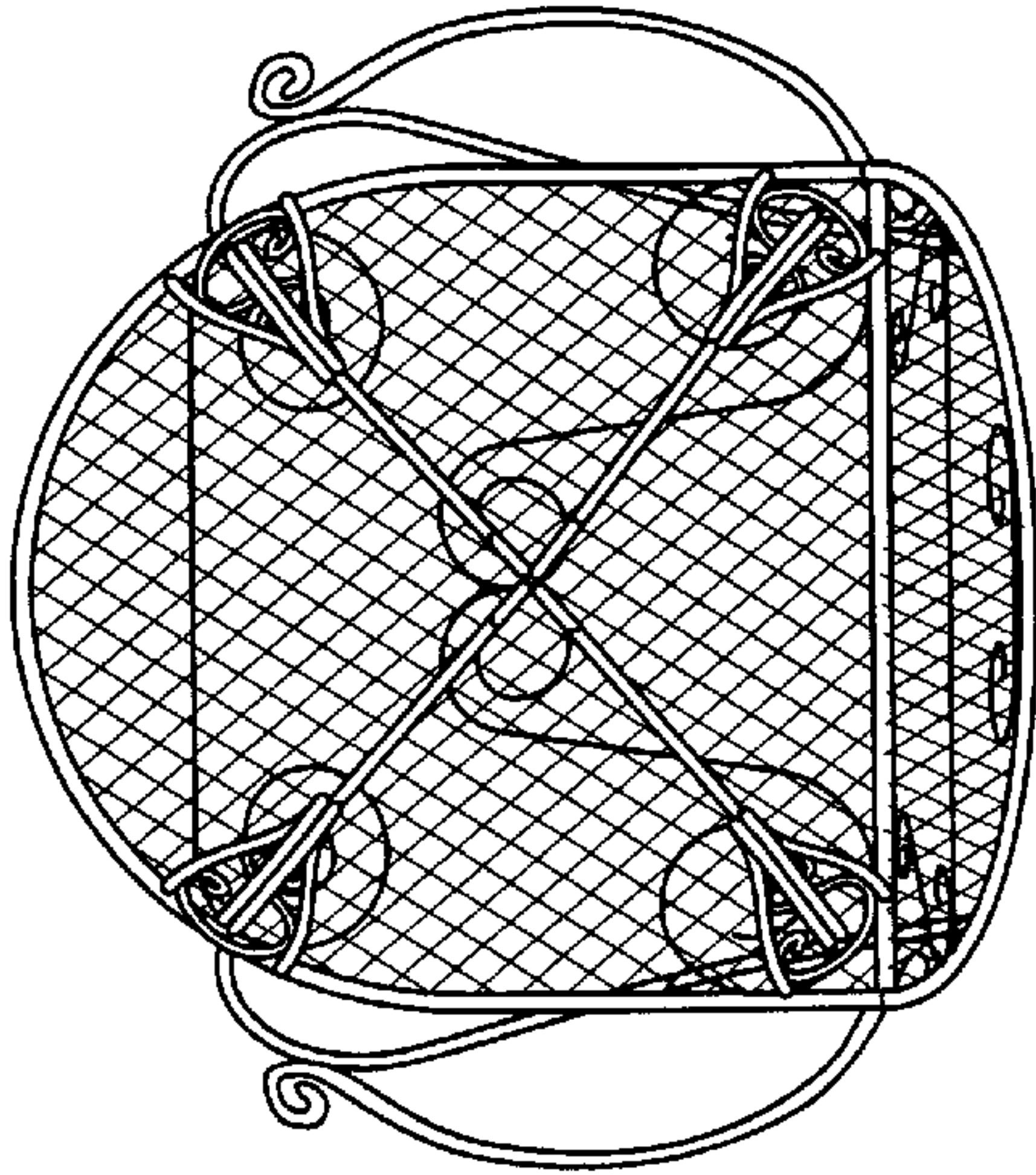


Fig 6

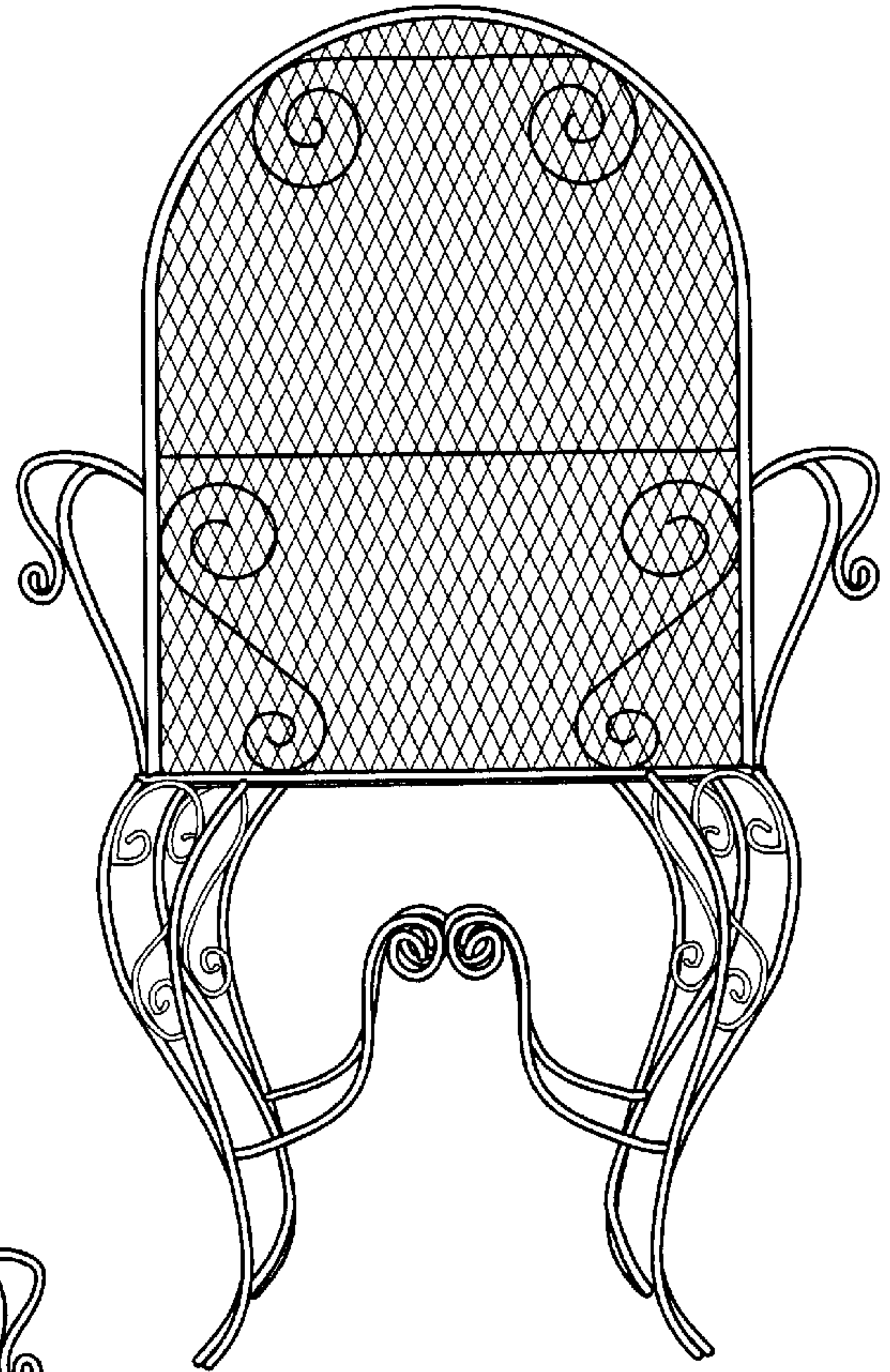


Fig 5

