



US00D411914S

United States Patent [19] Chang

[11] **Patent Number: Des. 411,914**

[45] **Date of Patent: ** Jul. 13, 1999**

[54] **SUNSHADE UMBRELLA**

[76] Inventor: **Wei-Chen Chang**, 58, Ma Yuan West St., Taichung, Taiwan

[**] Term: **14 Years**

[21] Appl. No.: **29/083,679**

[22] Filed: **Feb. 16, 1998**

[51] **LOC (6) Cl. 03-03**

[52] **U.S. Cl. D3/6**

[58] **Field of Search** D3/5, 6, 13, 14;
135/15.1, 16, 88.09, 98, 99; D25/18, 56;
D30/108

[56] **References Cited**

U.S. PATENT DOCUMENTS

- D. 223,789 6/1972 Economou D3/5
- D. 239,453 4/1976 Kitson D25/56
- D. 378,137 2/1997 Gregoire D25/56

- D. 388,555 12/1997 Lewis D30/108
- 885,438 4/1908 Coffman D25/56 X
- 3,101,731 8/1963 Stiglin D25/56 X

Primary Examiner—Doris Clark
Assistant Examiner—Catherine R. Oliver

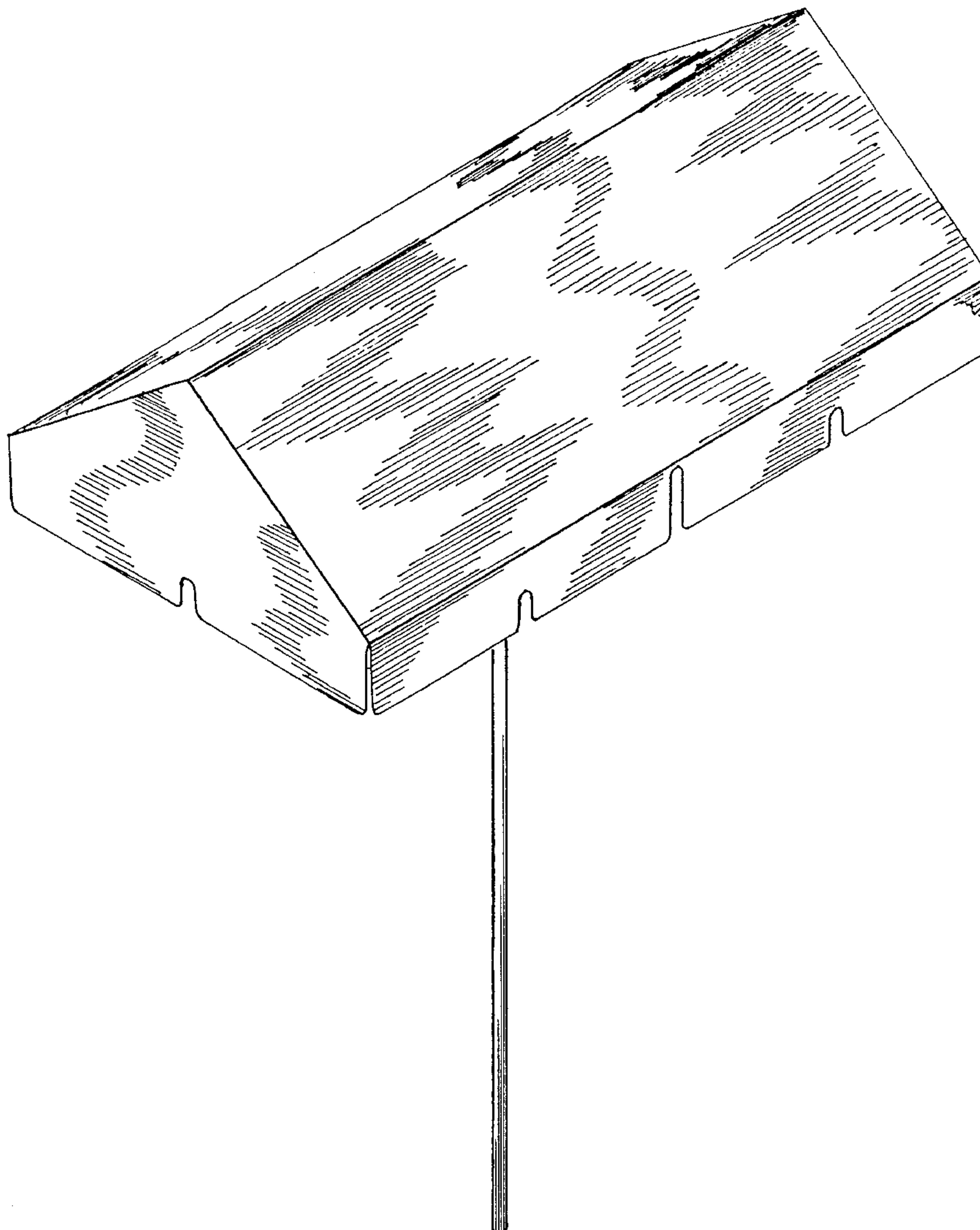
[57] **CLAIM**

The ornamental design for a sunshade umbrella, as shown and described.

DESCRIPTION

FIG. 1 is a perspective view of sunshade umbrella showing my new design;
FIG. 2 is a front elevational view thereof, the rear elevational view thereof being identical in appearance;
FIG. 3 is a left side elevational view thereof, the right side elevational view thereof being identical in appearance;
FIG. 4 is a top plan view thereof; and,
FIG. 5 is a bottom plan view thereof.

1 Claim, 4 Drawing Sheets



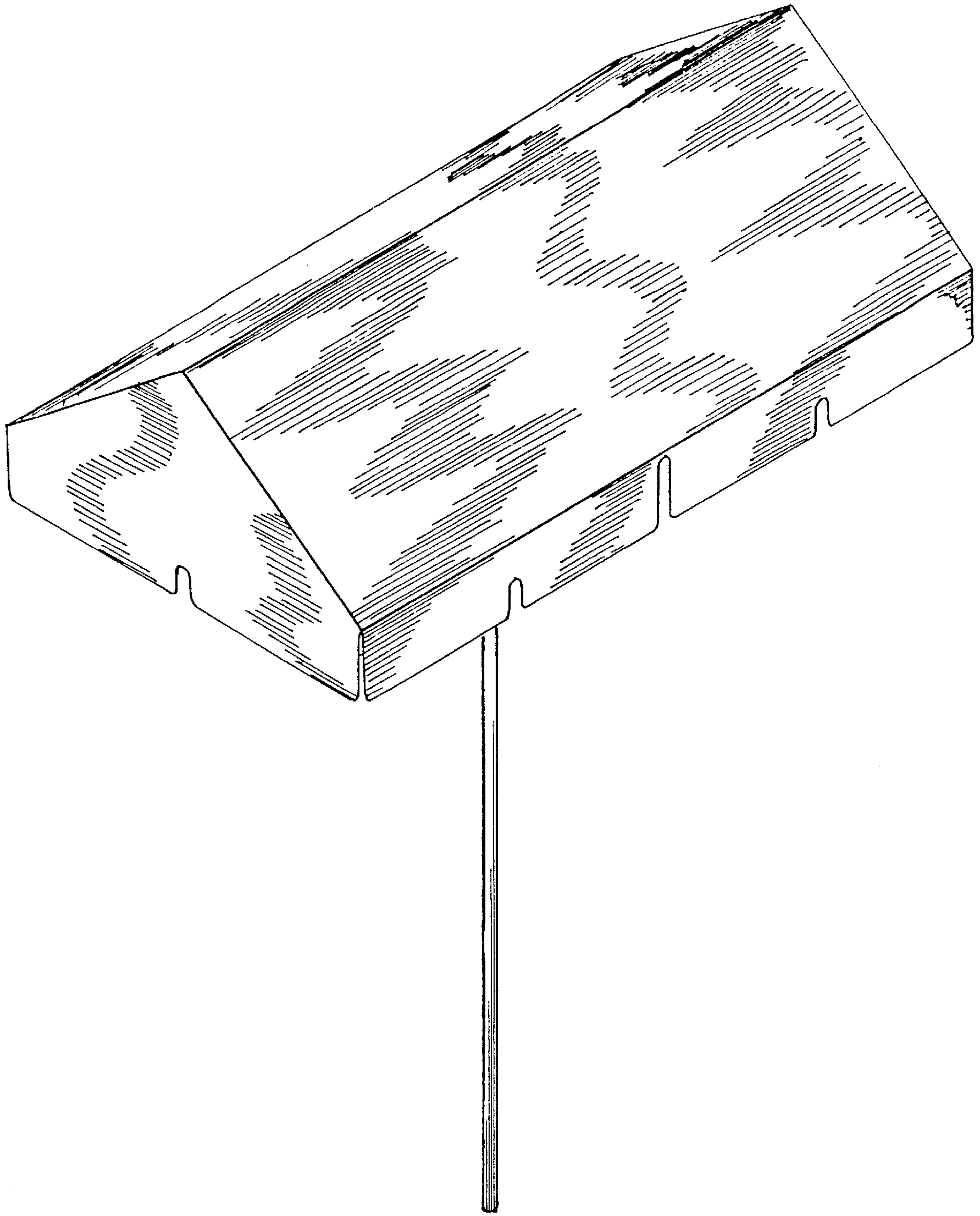


FIG. 1

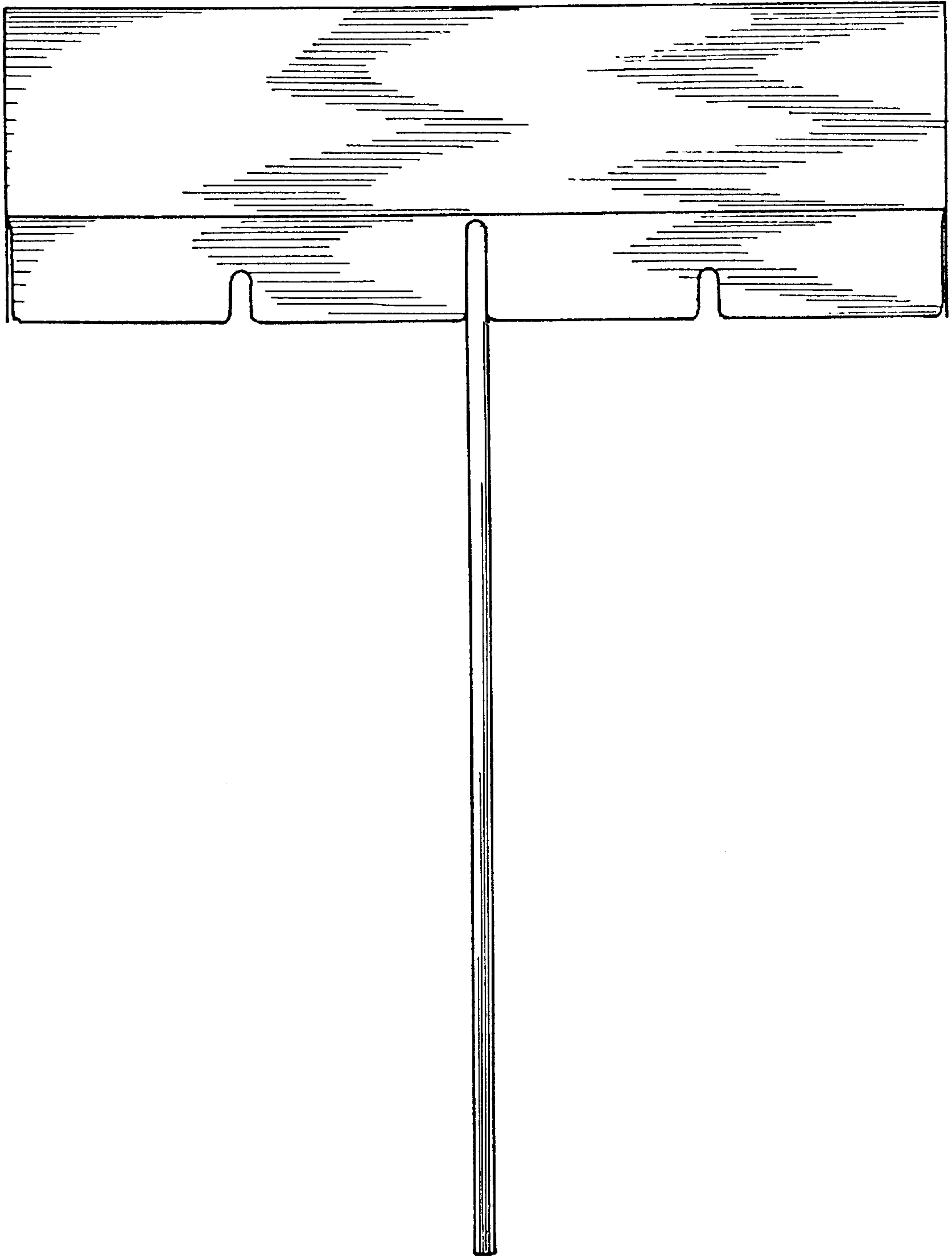


FIG. 2

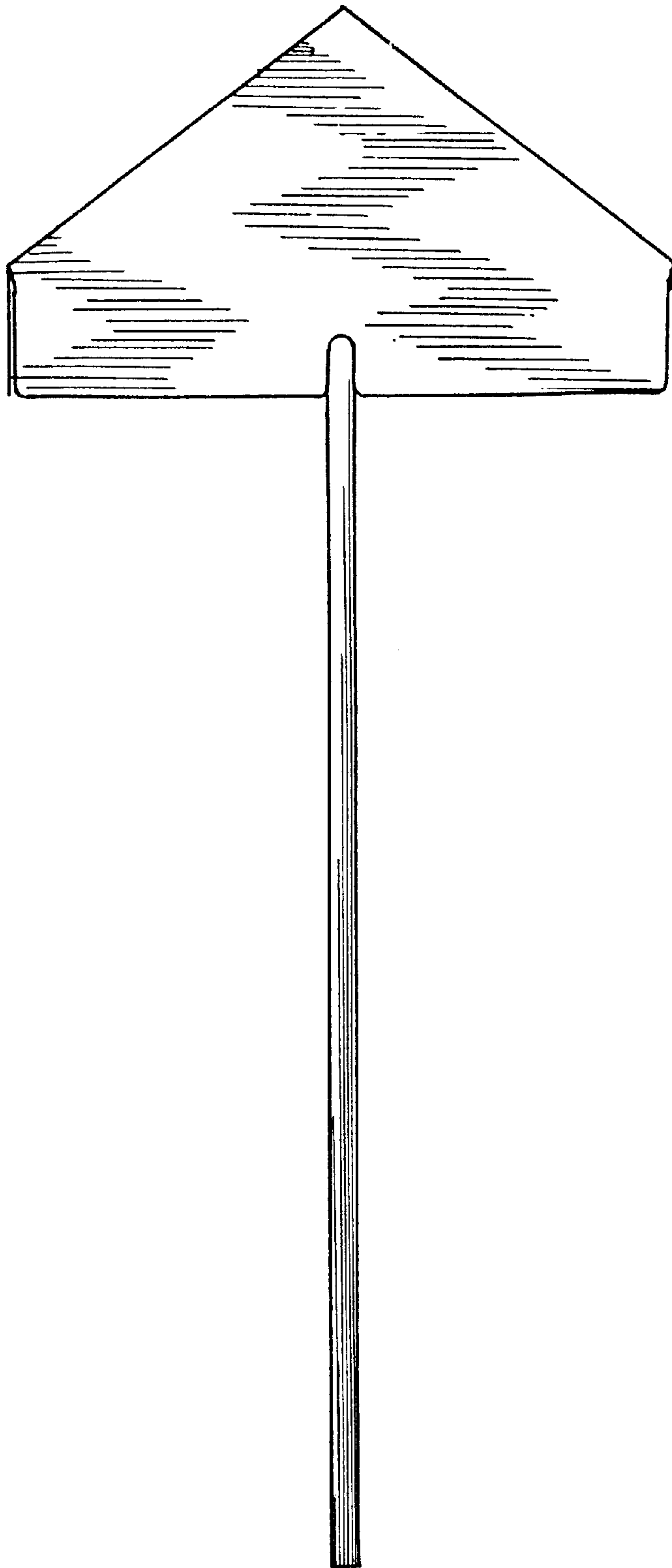


FIG. 3

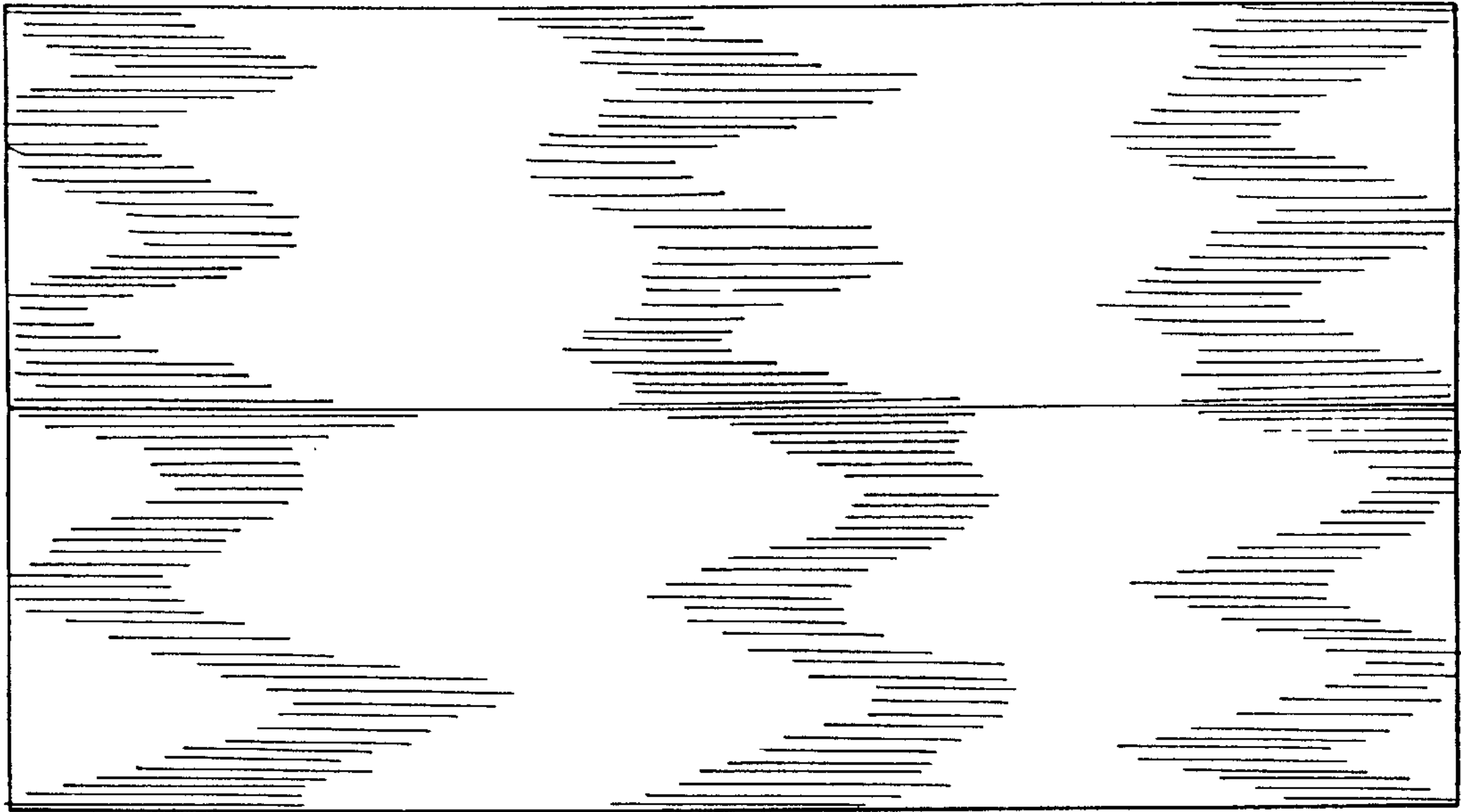


FIG. 4

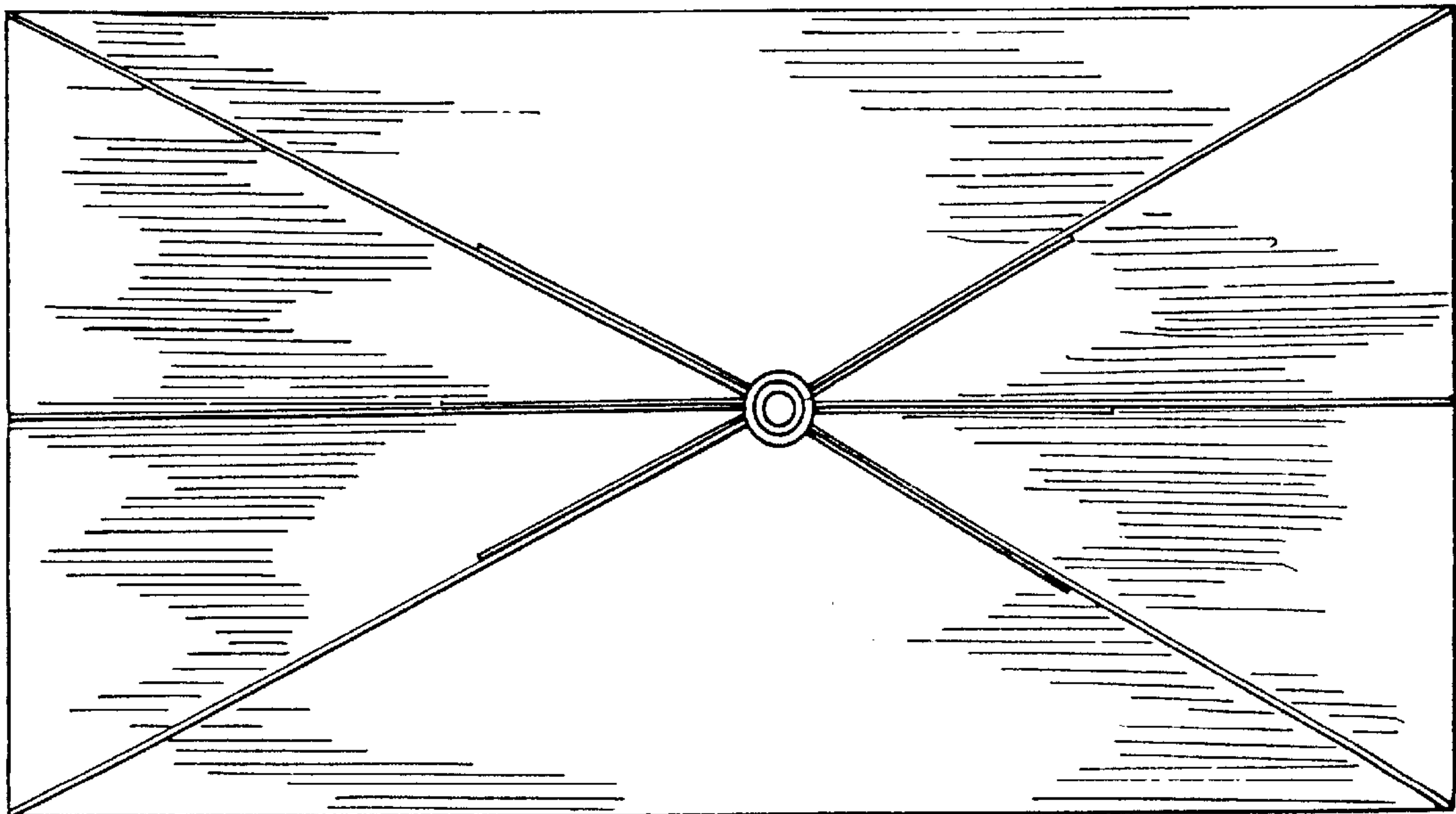


FIG. 5