



US00D411905S

United States Patent [19]

Molander et al.

[11] Patent Number: **Des. 411,905**

[45] Date of Patent: **** Jul. 6, 1999**

[54] **AUTOMATIC TELLER MACHINE**

[75] Inventors: **Bo Molander**, Stockholm, Sweden;
Oscar Pêna, Groningen, Netherlands

[73] Assignee: **Digital Equipment BCFI AB**, Järfälla, Sweden

[**] Term: **14 Years**

[21] Appl. No.: **29/080,084**

[22] Filed: **Nov. 28, 1997**

[30] **Foreign Application Priority Data**

Jun. 9, 1997 [SE] Sweden 97 1336

[51] **LOC (6) Cl.** **20-01**

[52] **U.S. Cl.** **D99/28; D20/2**

[58] **Field of Search** D99/28, 34; D20/1-9;
194/206, 292, 350; 453/1-5, 6; 235/379,
380, 381

[56] **References Cited**

U.S. PATENT DOCUMENTS

- D. 267,127 11/1982 Noel D99/28
- D. 268,062 2/1983 Chance D99/28
- D. 283,746 5/1986 Kobayashi D99/28
- D. 303,448 9/1989 Noda et al. D99/28
- D. 319,135 8/1991 Forger et al. D99/28

- D. 326,756 6/1992 Milliken D99/28
- D. 360,734 7/1995 Hall D99/28
- D. 360,739 7/1995 Hall D99/28
- D. 375,607 11/1996 Hall D99/28

Primary Examiner—Paula A. Mortimer
Attorney, Agent, or Firm—Burns, Doane, Swecker & Mathis, L.L.P.

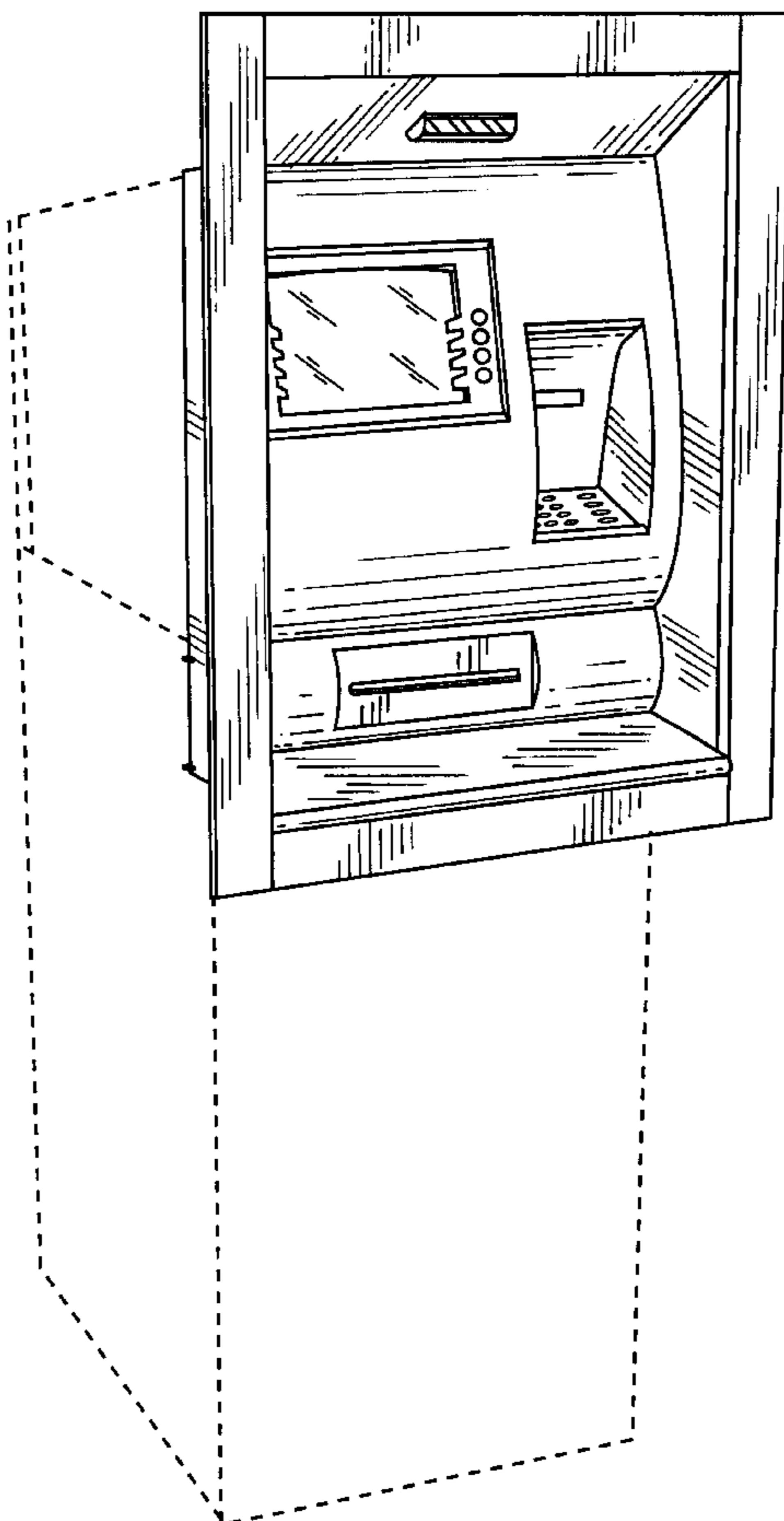
[57] **CLAIM**

The ornamental design for an automatic teller machine, as shown and described.

DESCRIPTION

FIG. 1 is a front elevational view of an automatic teller machine showing our new design;
 FIG. 2 is a left front perspective view thereof;
 FIG. 3 is a right front perspective view thereof;
 FIG. 4 is a front elevational view of a modified form of a second embodiment of an automatic teller machine showing our new design;
 FIG. 5 is a right front perspective view thereof;
 FIG. 6 is a left front perspective view thereof; and,
 FIG. 7 is a rear perspective view thereof.
 The broken line showing in FIGS. 4-7 of a stand for the automatic teller machine is merely for illustrative purposes and forms no part of the claimed design.

1 Claim, 7 Drawing Sheets



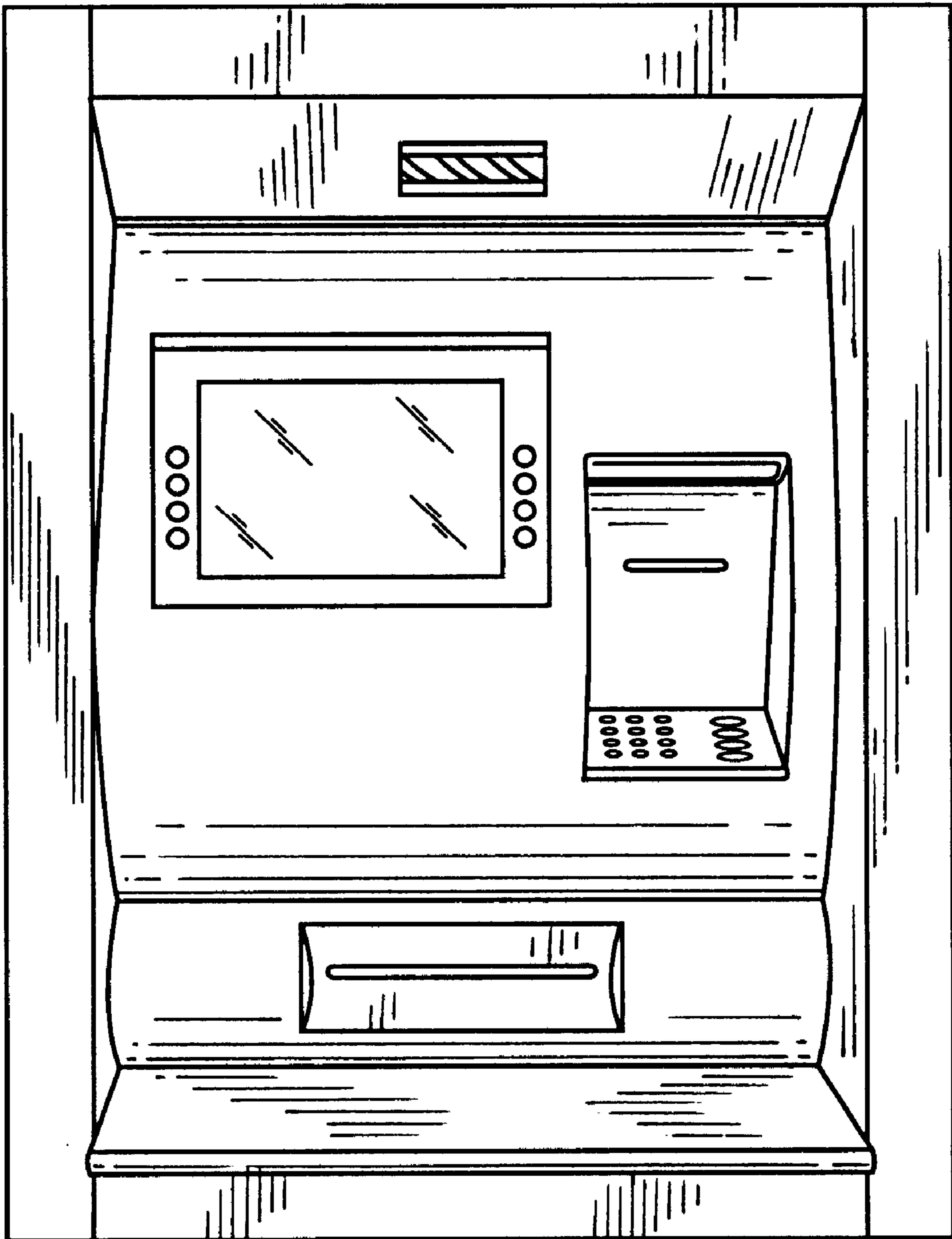


FIG. 1

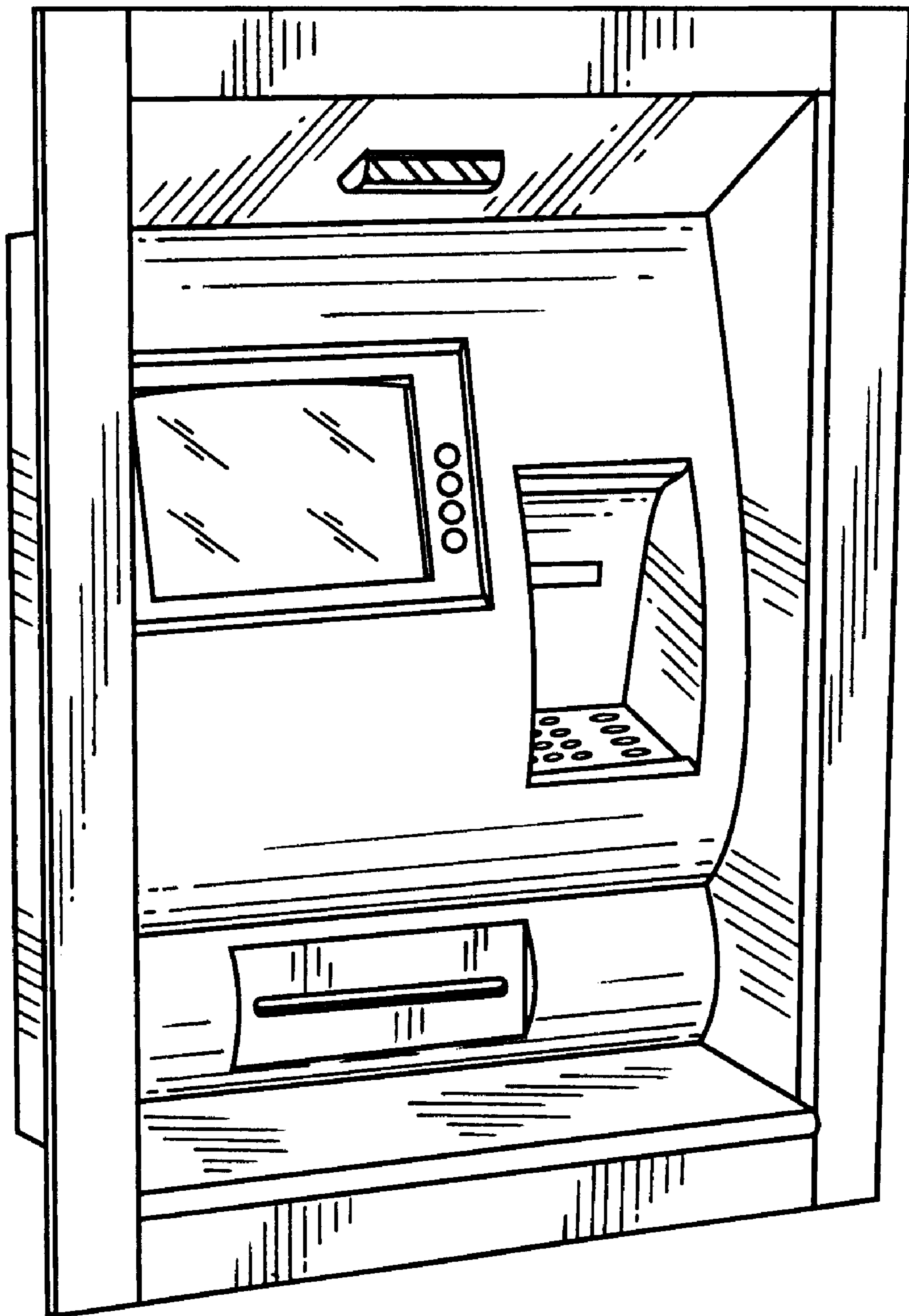


FIG. 2

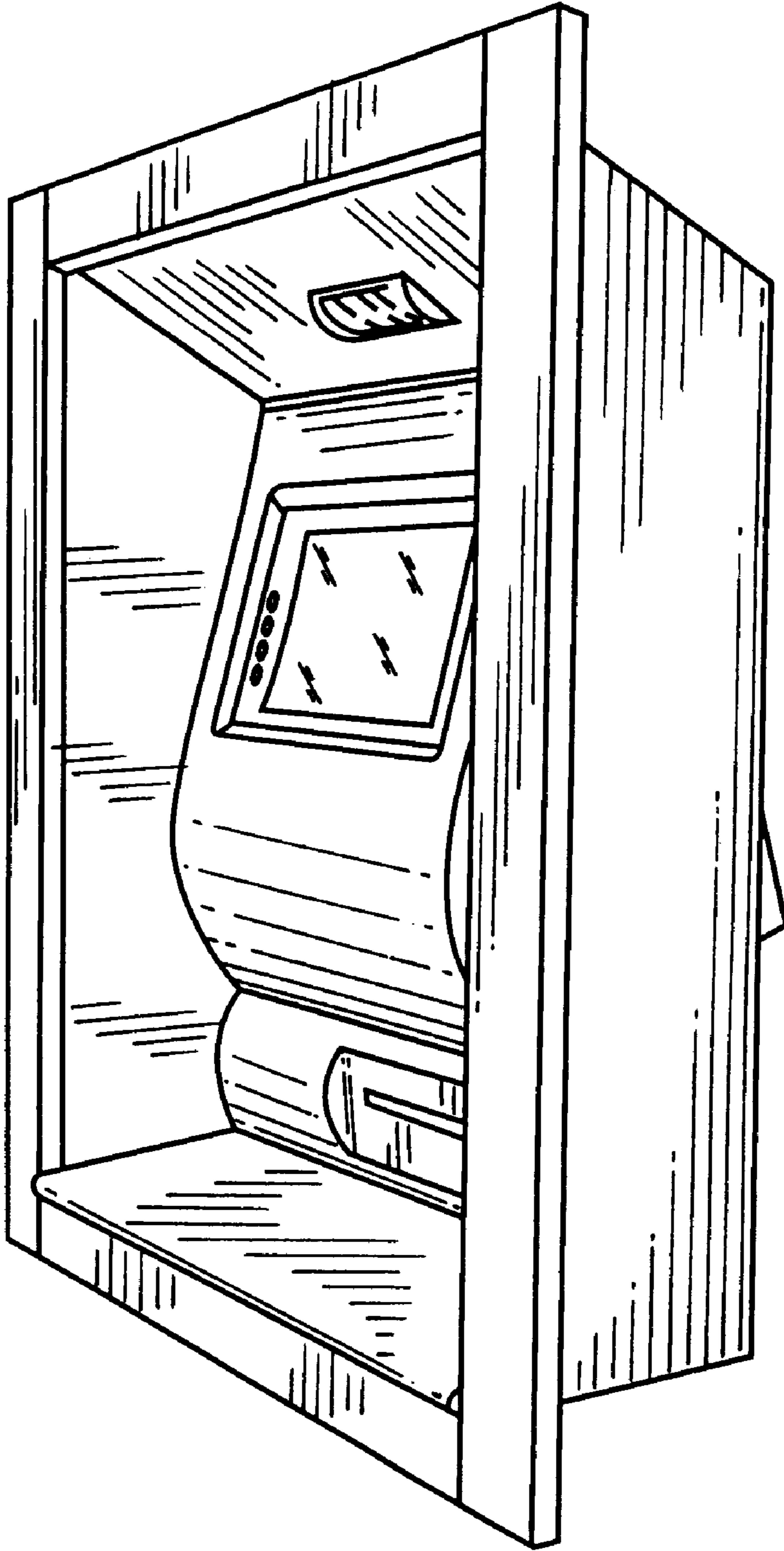


FIG. 3

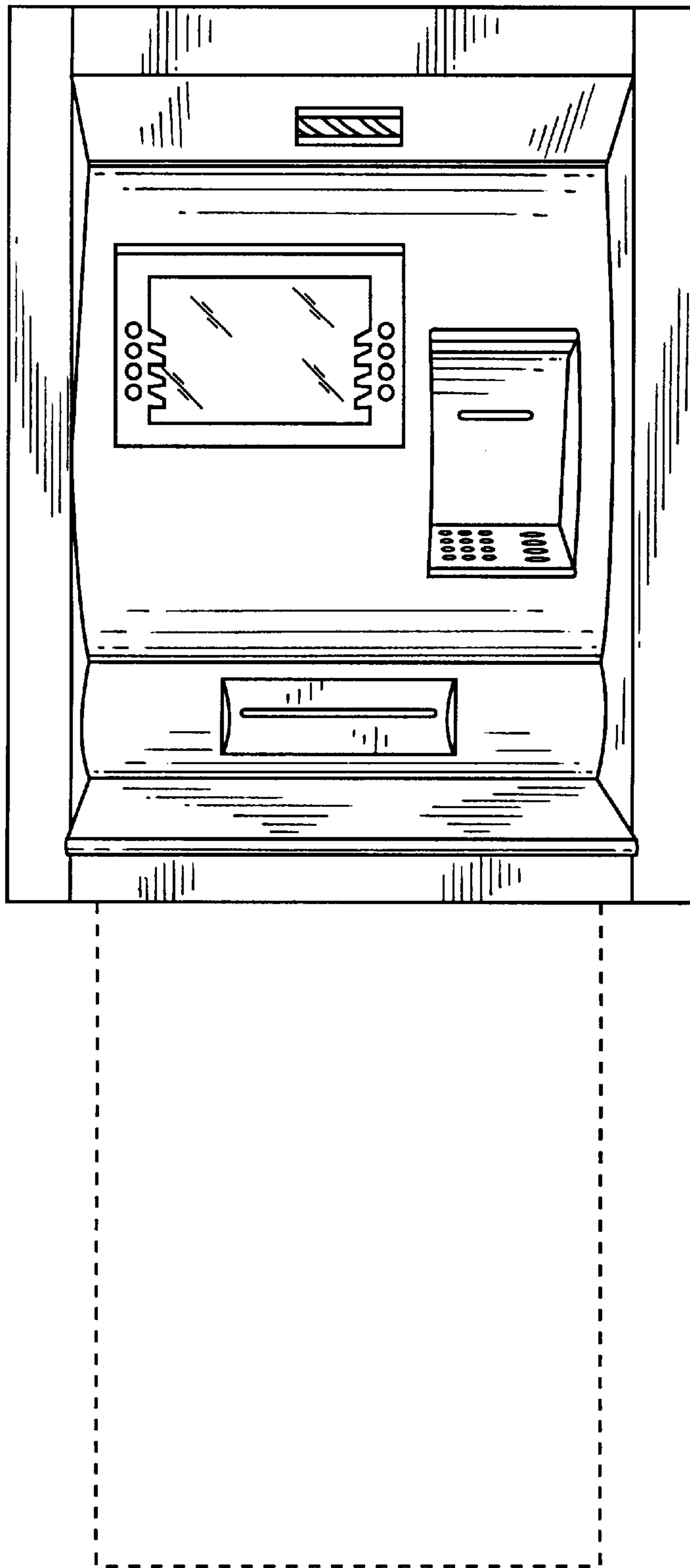


FIG. 4

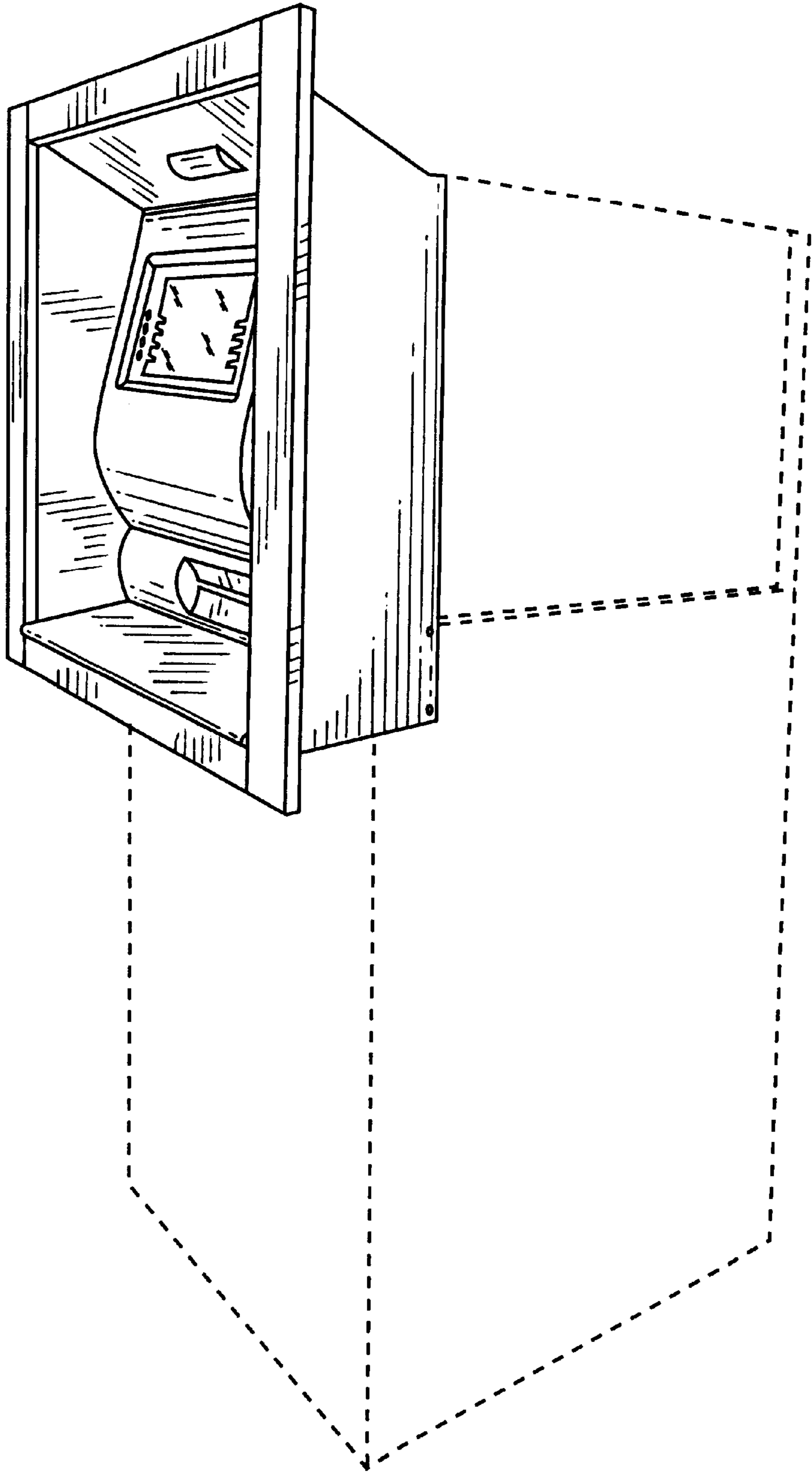


FIG. 5

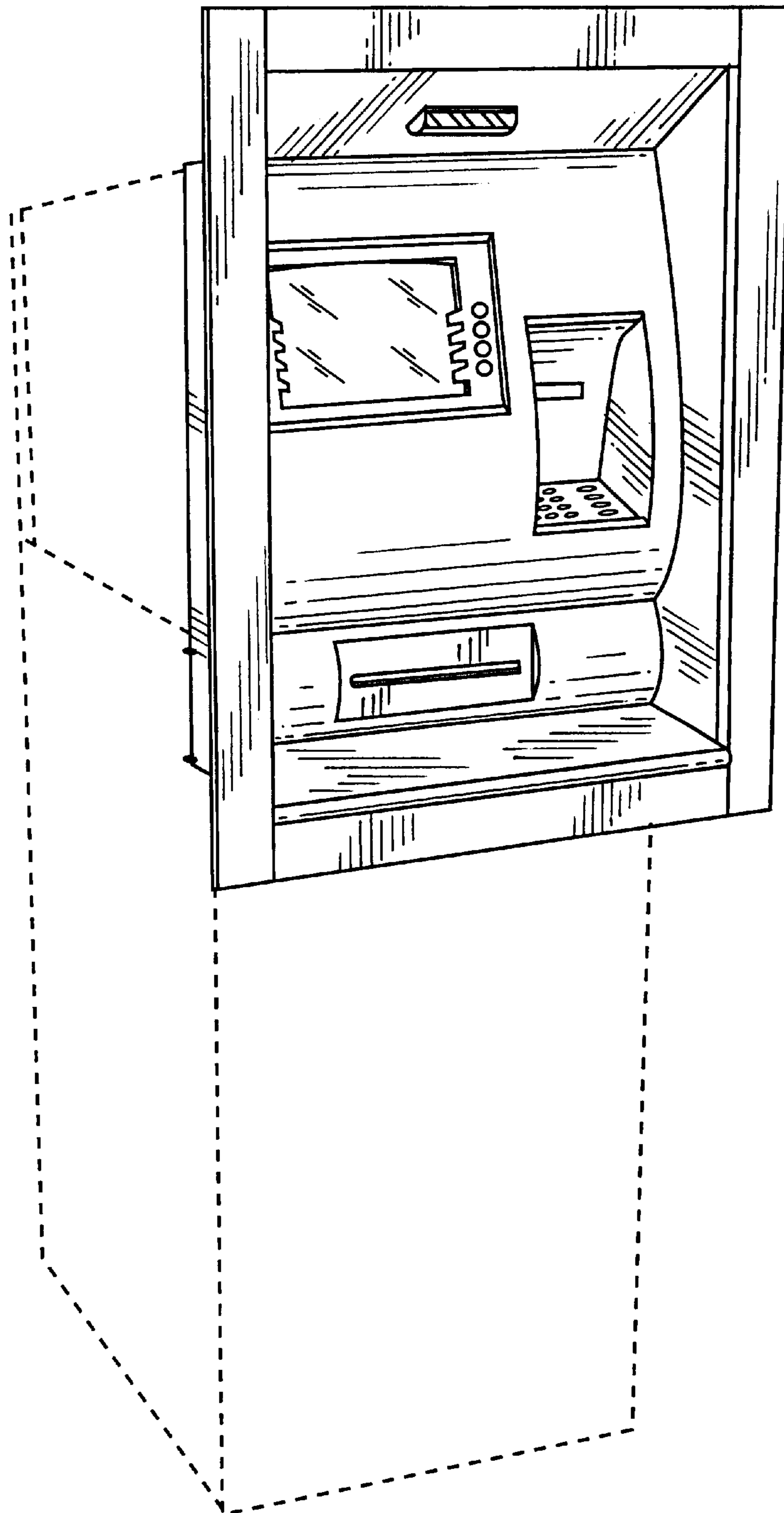


FIG. 6

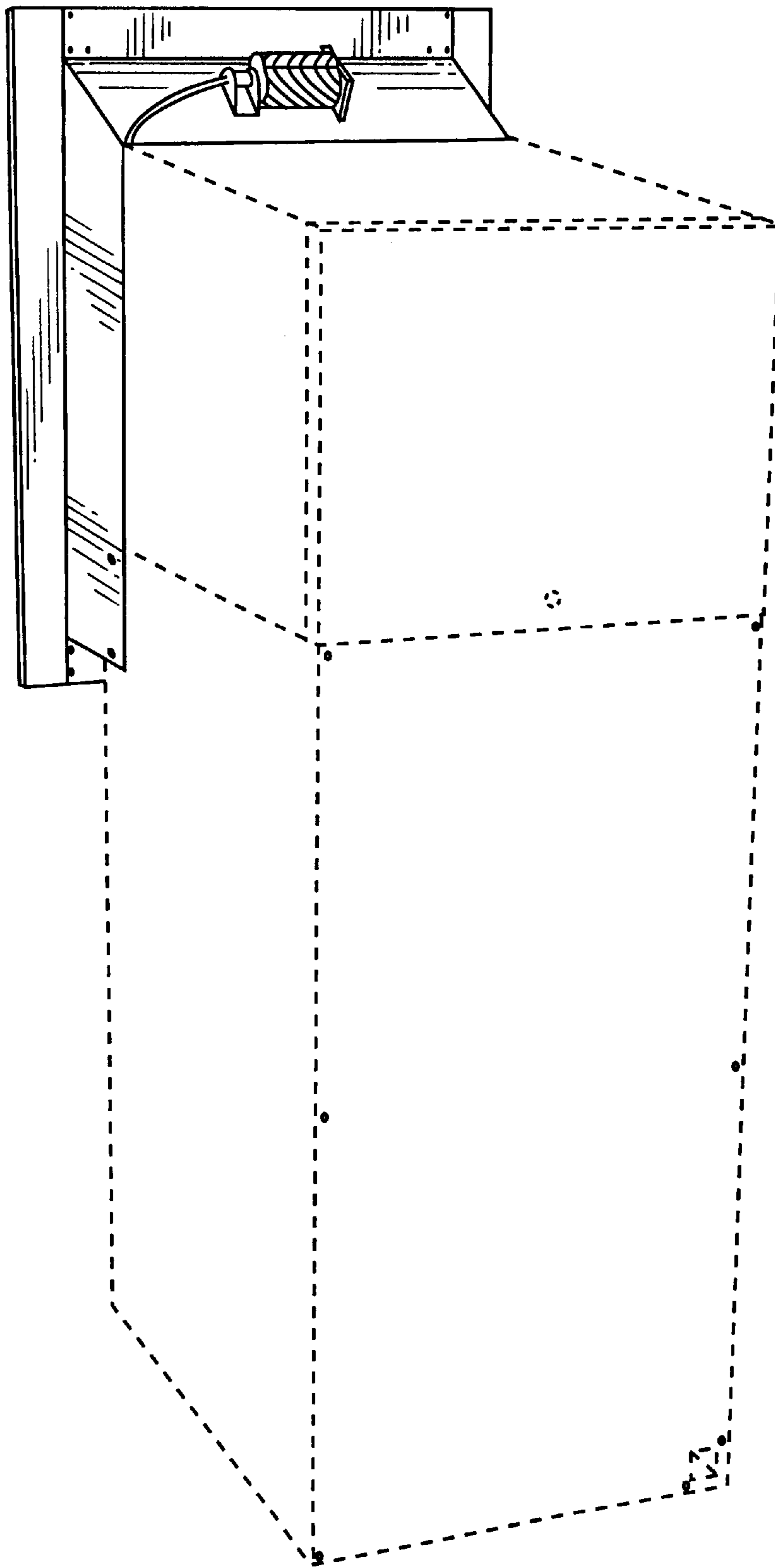


FIG. 7