



US00D411904S

# United States Patent [19]

Risholm et al.

[11] Patent Number: **Des. 411,904**

[45] Date of Patent: **\*\* Jul. 6, 1999**

[54] **HOLDER FOR A SHOPPING TROLLEY**

3,251,543 5/1966 Bush et al. .... 235/1 R

[76] Inventors: **Torrill Risholm; Ragner Risholm**,  
both of Gerhard Gransv. 36, N-5030,  
Landas, Norway

*Primary Examiner*—Kay H. Chin  
*Attorney, Agent, or Firm*—McAulay Nissen Goldberg Kiel  
& Hand, LLP

[\*\*] Term: **14 Years**

### [57] CLAIM

[21] Appl. No.: **29/074,582**

The ornamental design for a holder for a shopping trolley, as shown and described.

[22] Filed: **Jul. 7, 1997**

### DESCRIPTION

### [30] Foreign Application Priority Data

Jan. 8, 1997 [NO] Norway ..... 970010

FIG. 1 is a top perspective view of a holder for a shopping trolley showing our new design;  
FIG. 2 is a bottom perspective view thereof;  
FIG. 3 is a top plan view thereof;  
FIG. 4 is a left side elevational view thereof;  
FIG. 5 is a right side elevational view thereof;  
FIG. 6 is a front elevational view thereof;  
FIG. 7 is a rear elevational view thereof;  
FIG. 8 is a bottom plan view thereof; and,  
FIG. 9 is a top perspective view thereof on a shopping trolley when in use, the broken lines are for illustrative purposes only and form no part of the claimed design.

[51] **LOC (6) Cl.** ..... **12-02**

[52] **U.S. Cl.** ..... **D34/27**

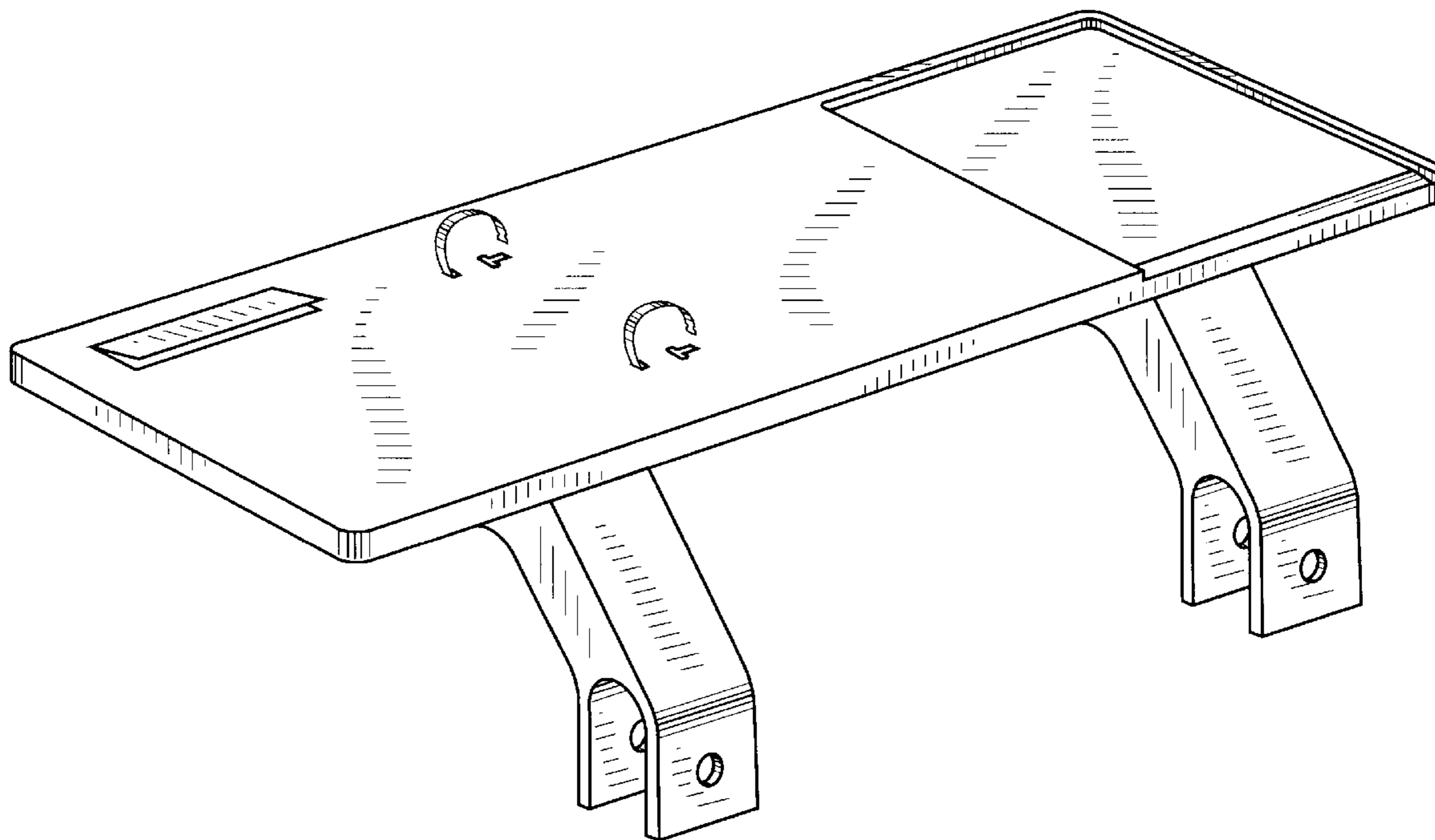
[58] **Field of Search** ..... D34/12-27; 280/33.992,  
280/33.991; 224/277; 40/308; 235/1 R

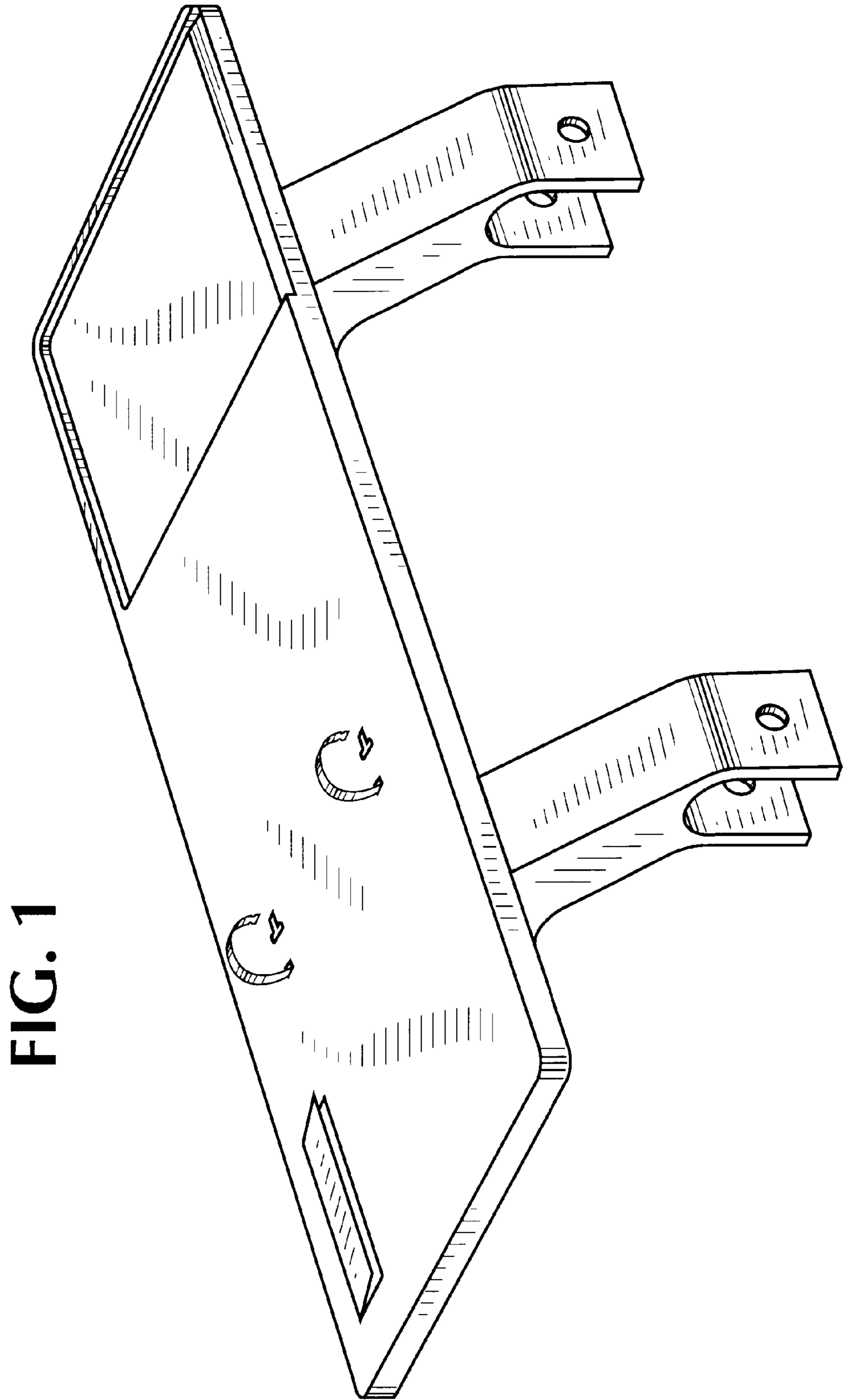
### [56] References Cited

#### U.S. PATENT DOCUMENTS

D. 321,577 11/1991 Ellis et al. .... D34/21  
D. 352,588 11/1994 Orphan ..... D34/27  
2,888,761 6/1959 Miller ..... 40/308

**1 Claim, 6 Drawing Sheets**





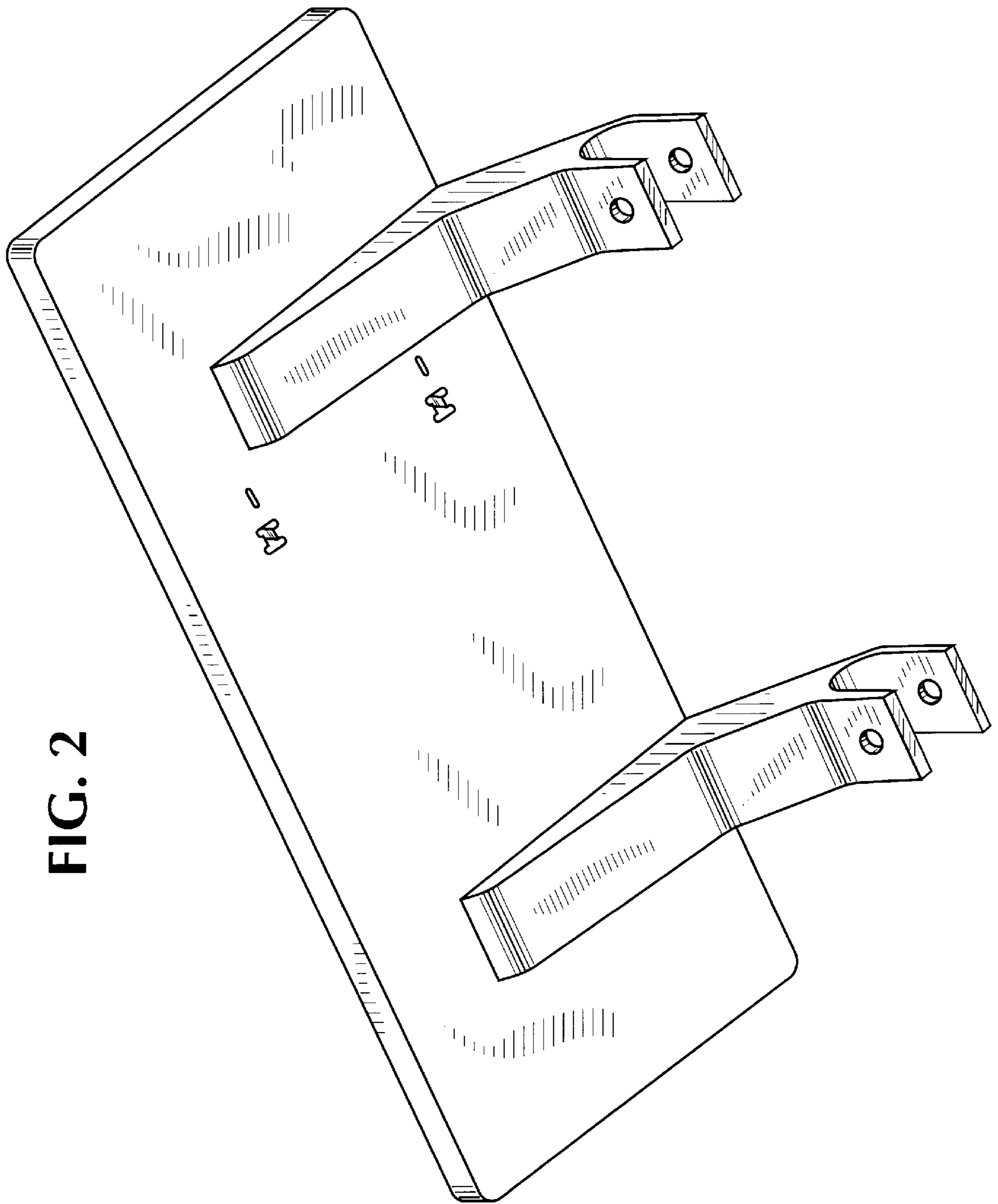


FIG. 2

FIG. 3

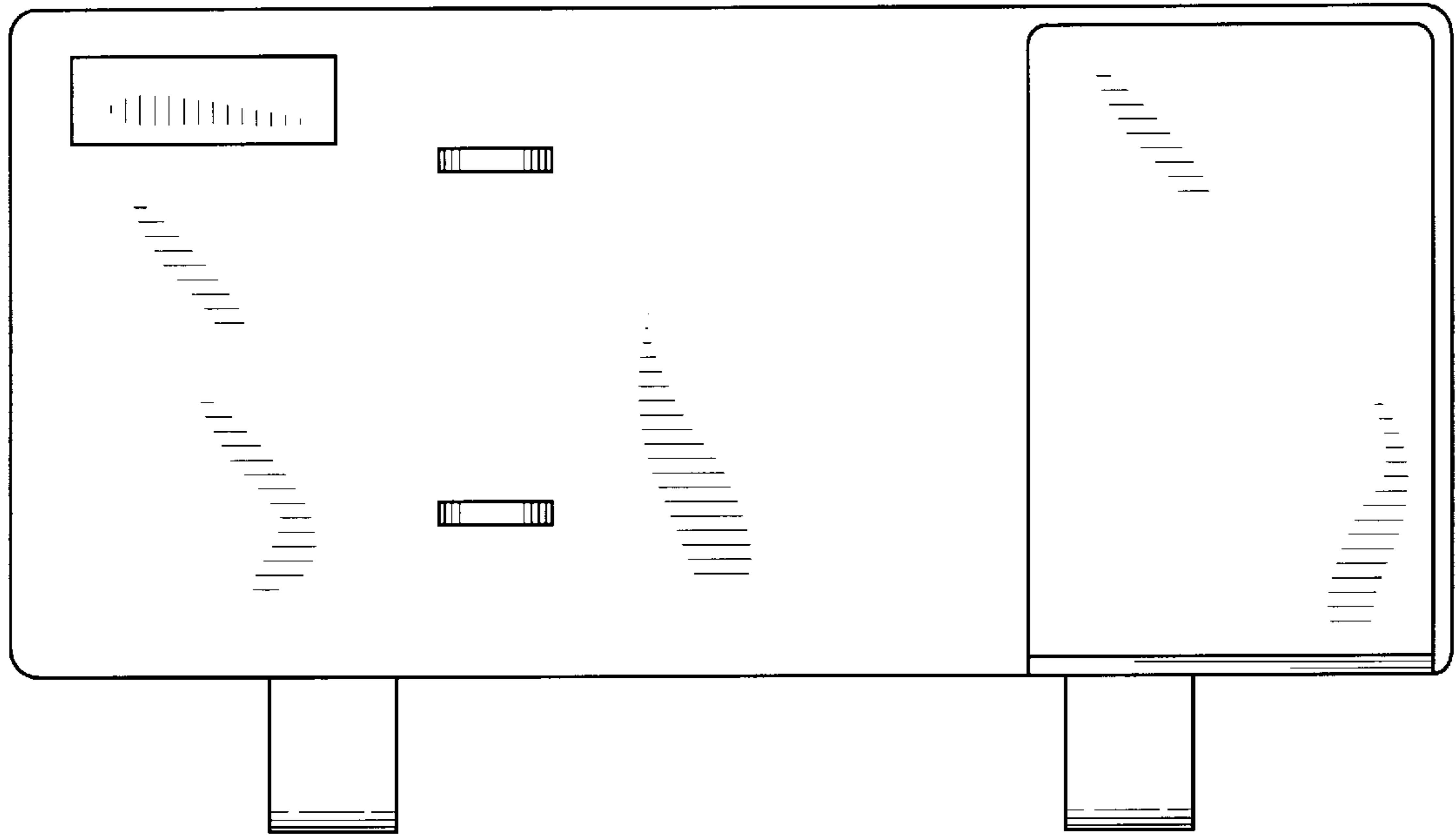


FIG. 8

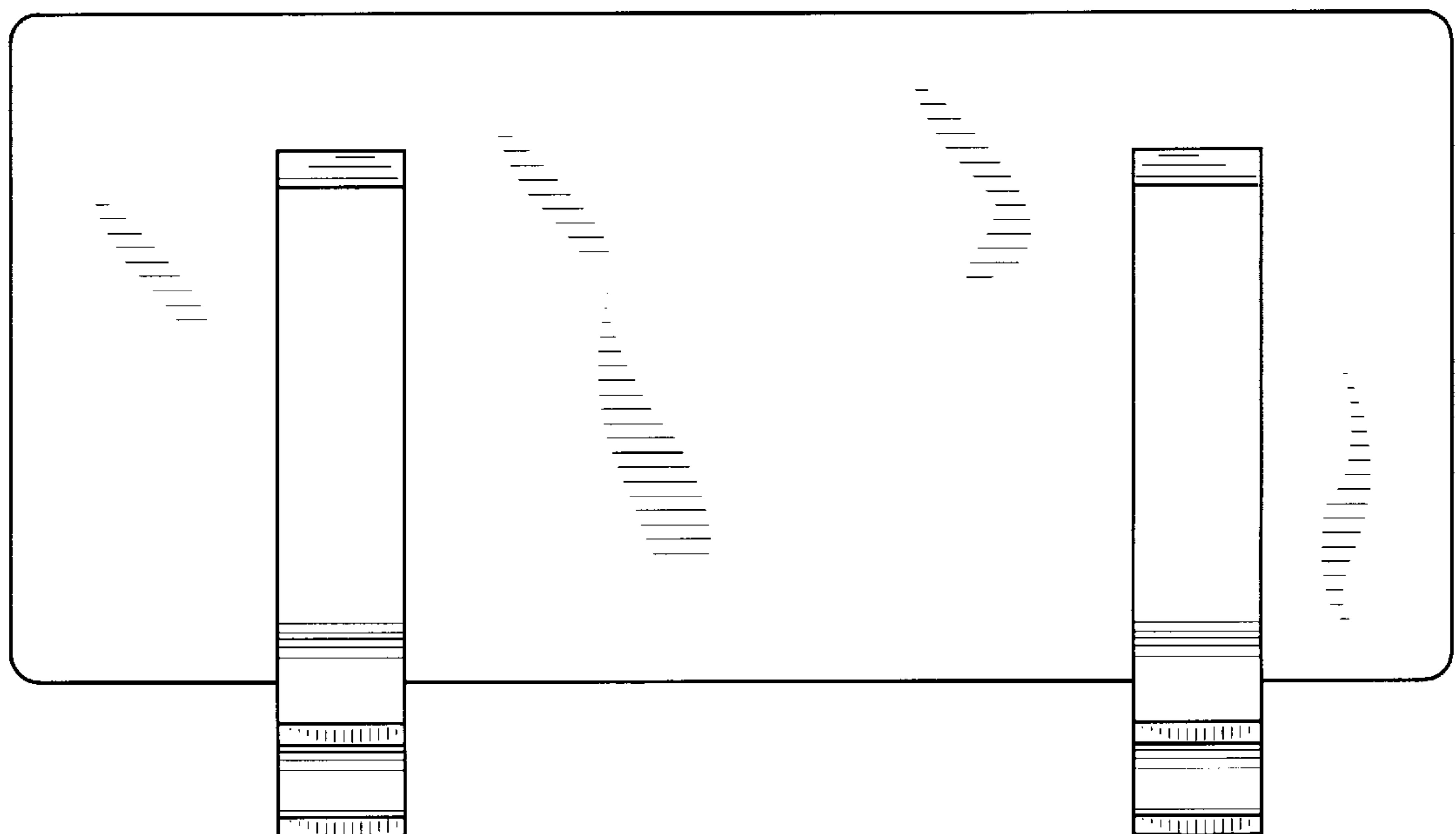


FIG. 5

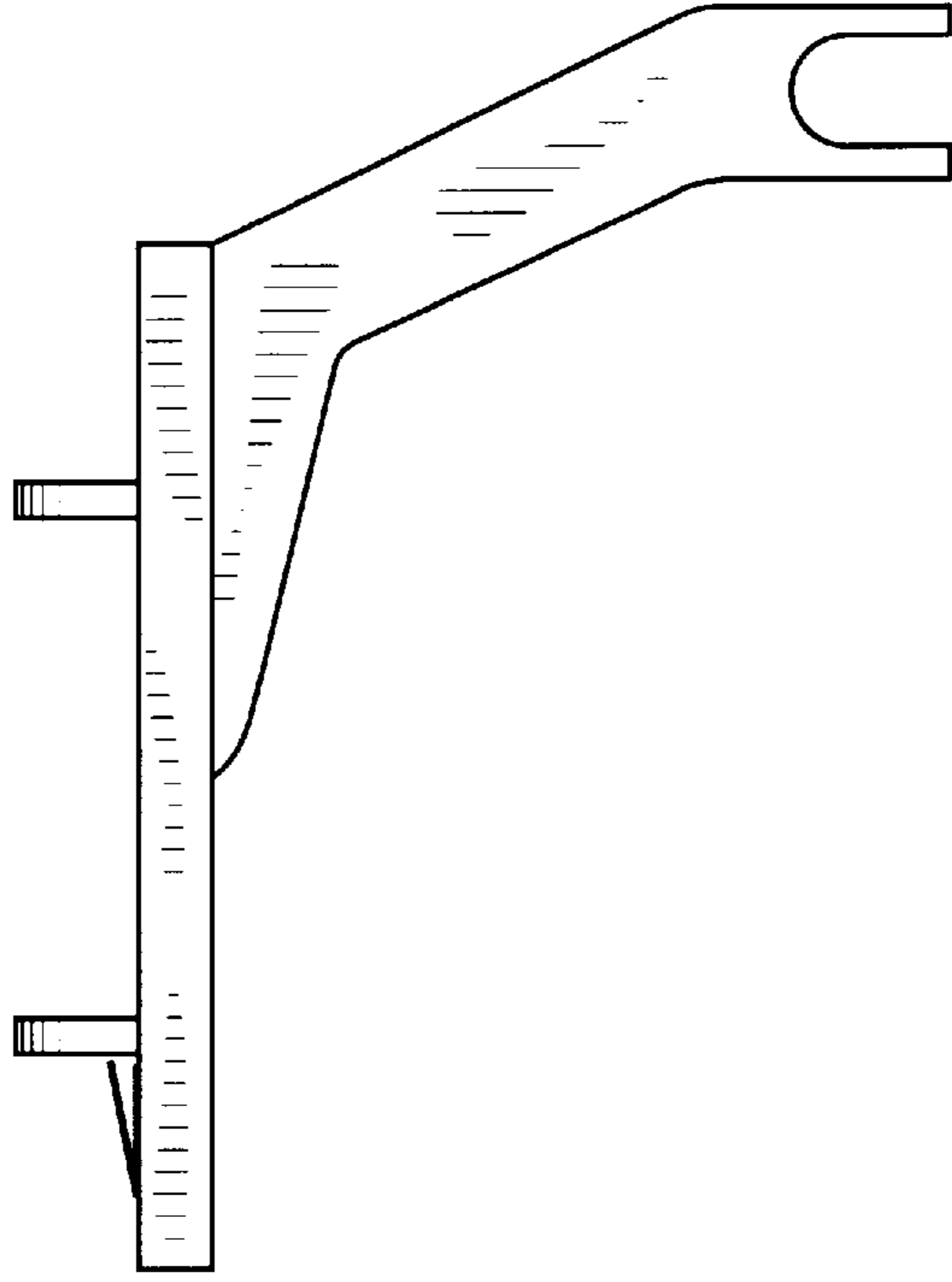


FIG. 4

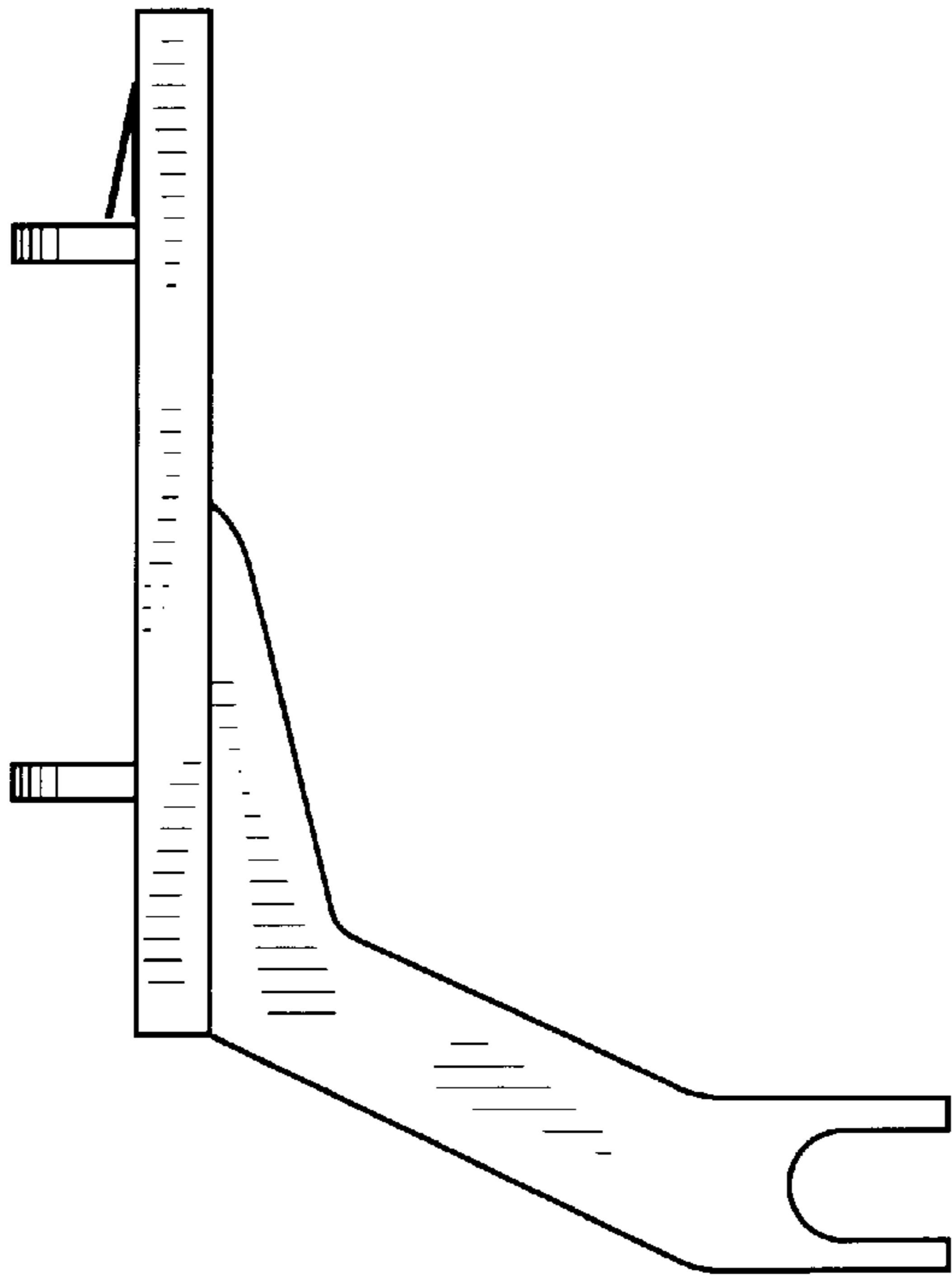


FIG. 6

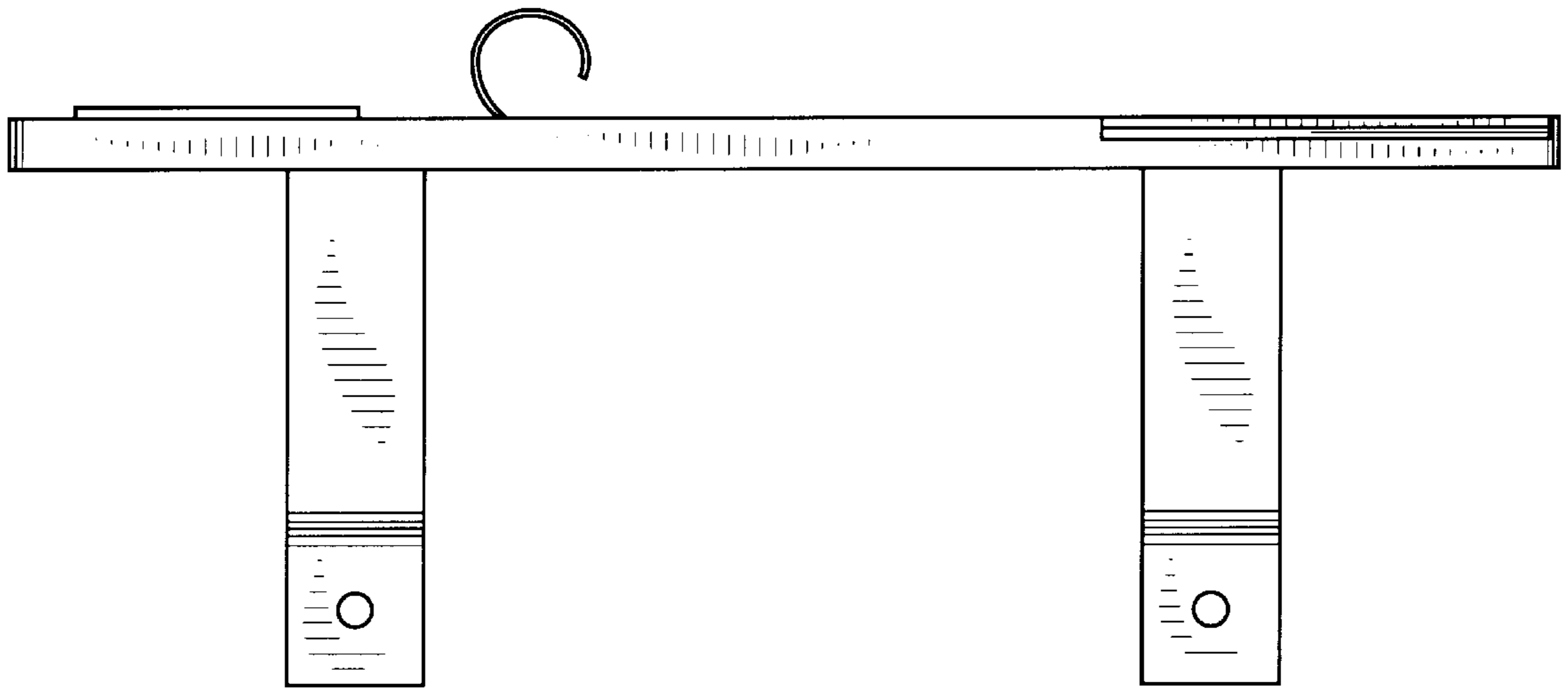
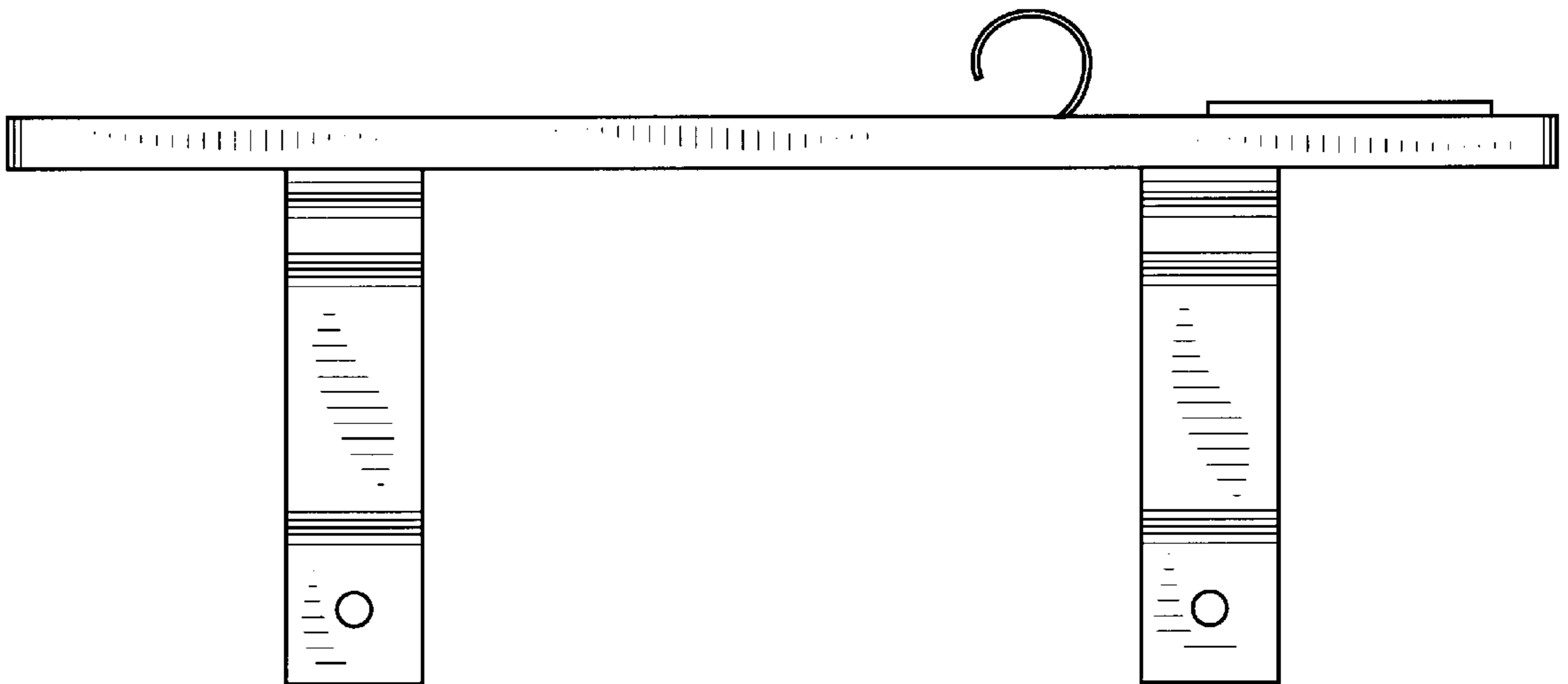


FIG. 7



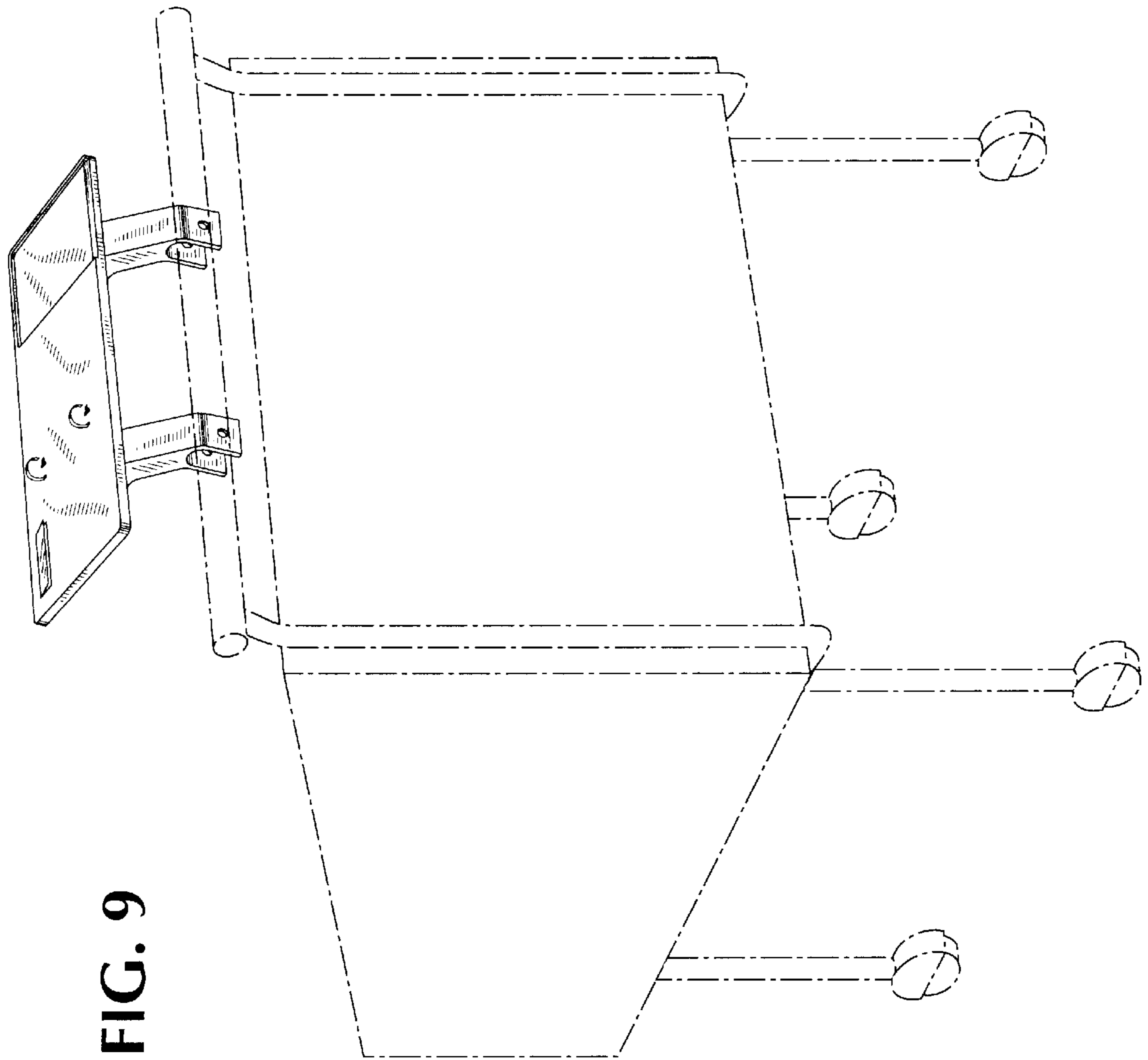


FIG. 9