



US00D411903S

# United States Patent [19]

Arvans

[11] Patent Number: **Des. 411,903**

[45] Date of Patent: **\*\* Jul. 6, 1999**

[54] **DISH, GLASS AND SILVERWARE HANDLING CART**

D. 301,075 5/1989 Trubiano ..... D34/21  
D. 386,871 11/1997 Halvorson, Jr. et al. .... D34/21

[76] Inventor: **Robert S. Arvans**, 133 Chaucer Ct., Willowbrook, Ill. 60521

*Primary Examiner*—Kay H. Chin  
*Attorney, Agent, or Firm*—Eugene F. Friedman

[\*\*] Term: **14 Years**

[57] **CLAIM**

[21] Appl. No.: **29/081,869**

The ornamental design for a dish, glass and silverware handling cart, as shown and described.

[22] Filed: **Jan. 9, 1998**

**DESCRIPTION**

[51] **LOC (6) Cl.** ..... **12-02**

FIG. 1 is a top, left side, front isometric view of dish, glass and silverware handling cart showing the new design.

[52] **U.S. Cl.** ..... **D34/21; D6/479**

FIG. 2 is a front view thereof.

[58] **Field of Search** ..... D34/12-27; D6/481,

FIG. 3 is a top plan view thereof.

D6/478, 479, 484, 487; 280/79.11, 79.3, 47.35

FIG. 4 is a right side end view.

FIG. 5 is a left side end view thereof.

[56] **References Cited**

FIG. 6 is a rear plan view thereof; and,

FIG. 7 is a bottom plan view thereof.

**U.S. PATENT DOCUMENTS**

D. 222,633 11/1971 Carter et al. .... D34/21

**1 Claim, 4 Drawing Sheets**

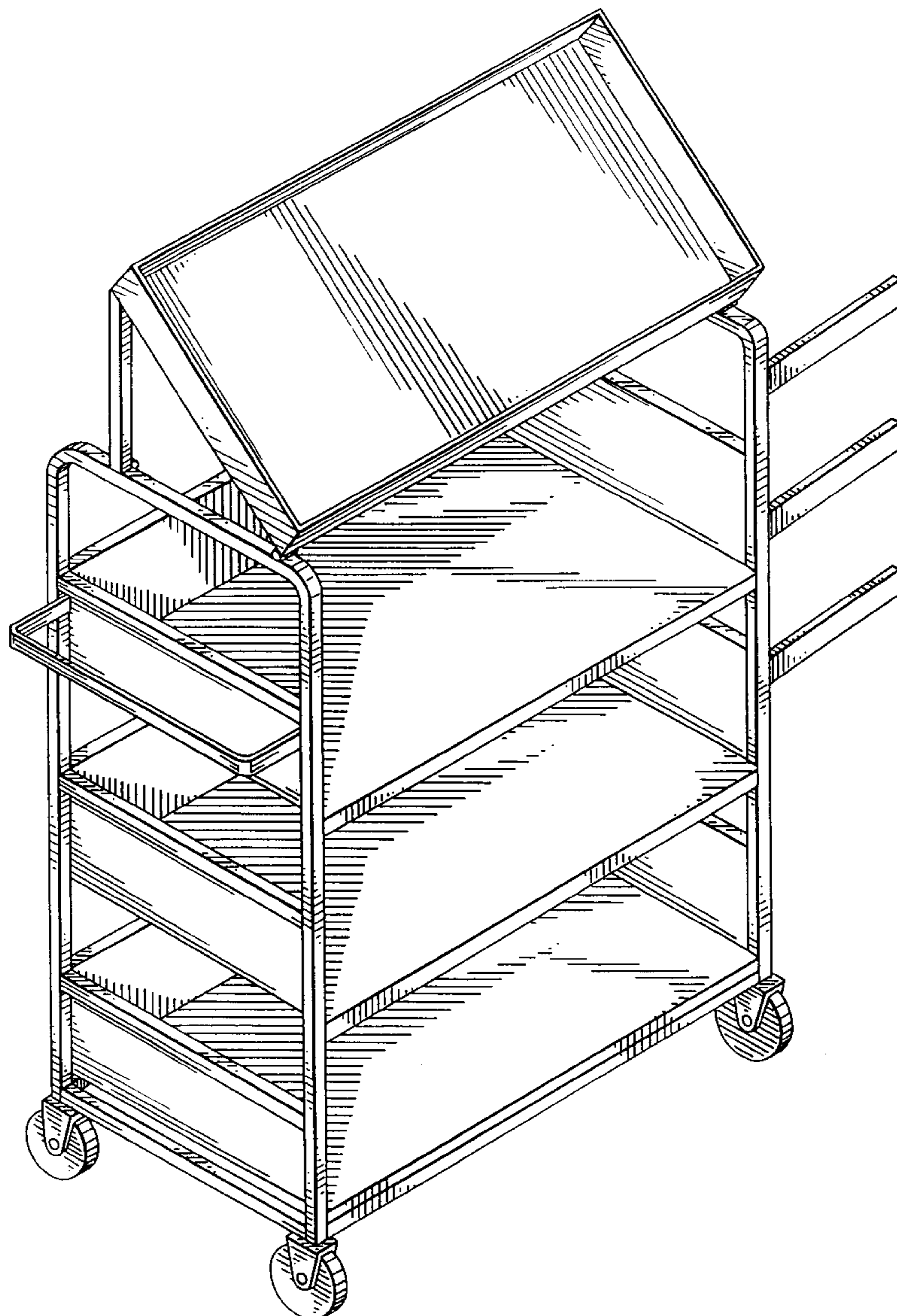


FIG. 1

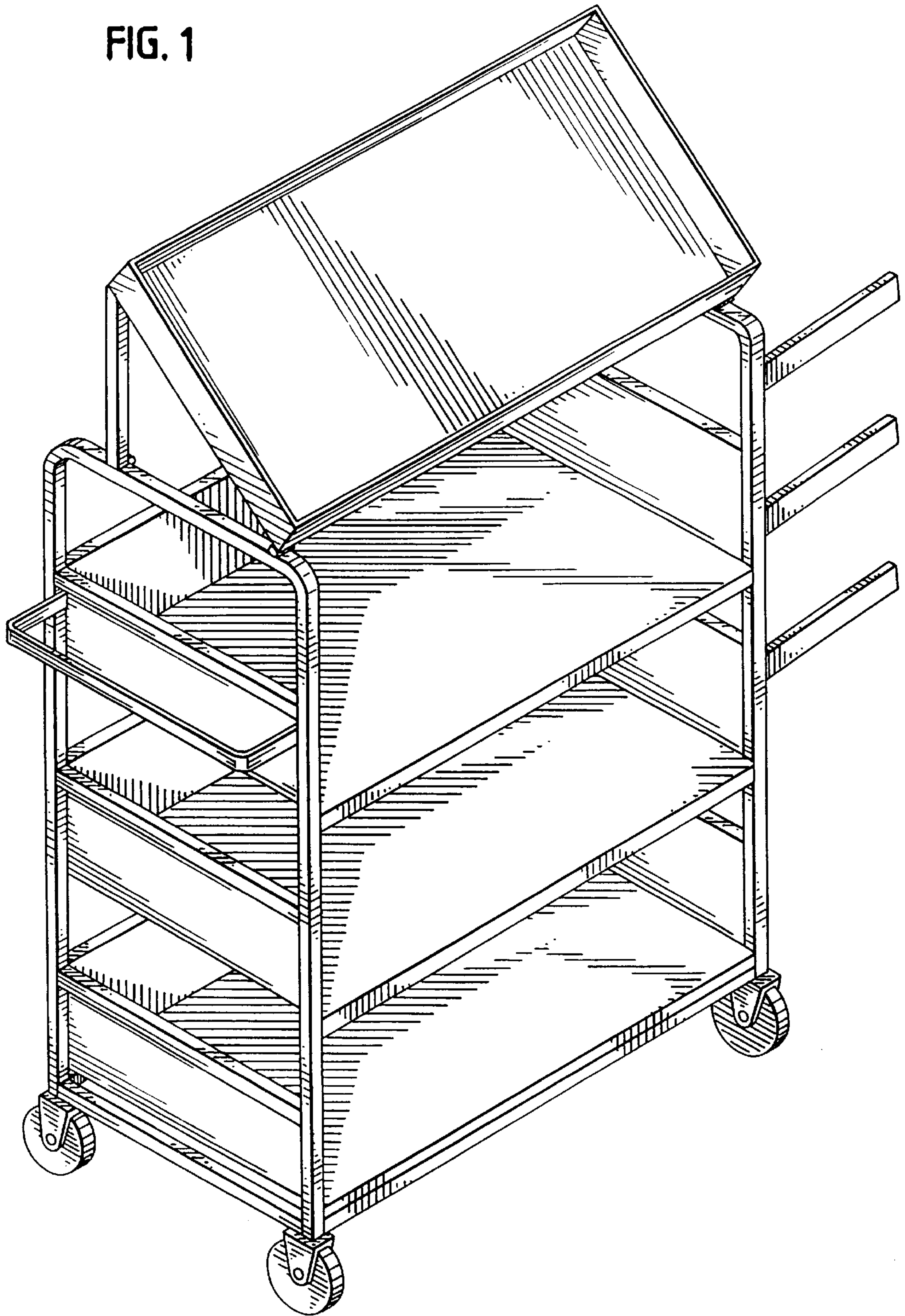


FIG. 3

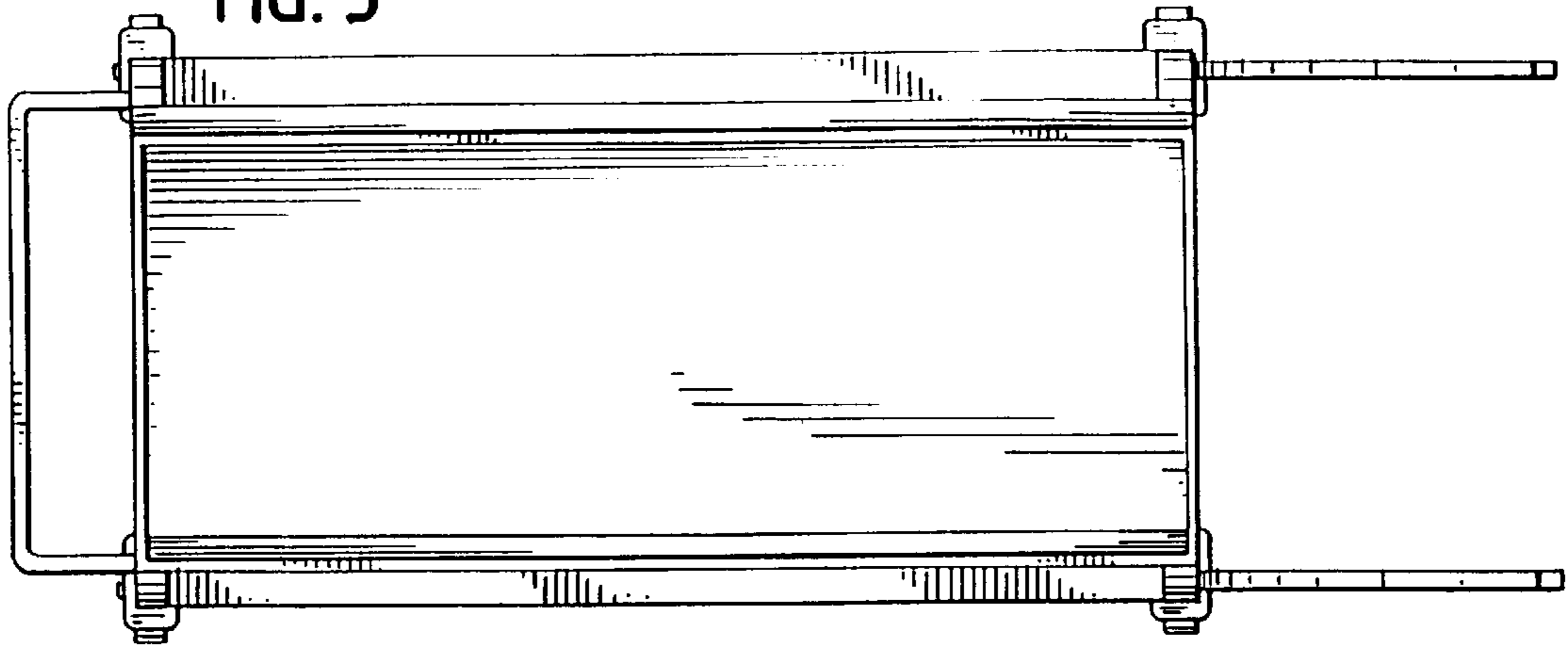


FIG. 2

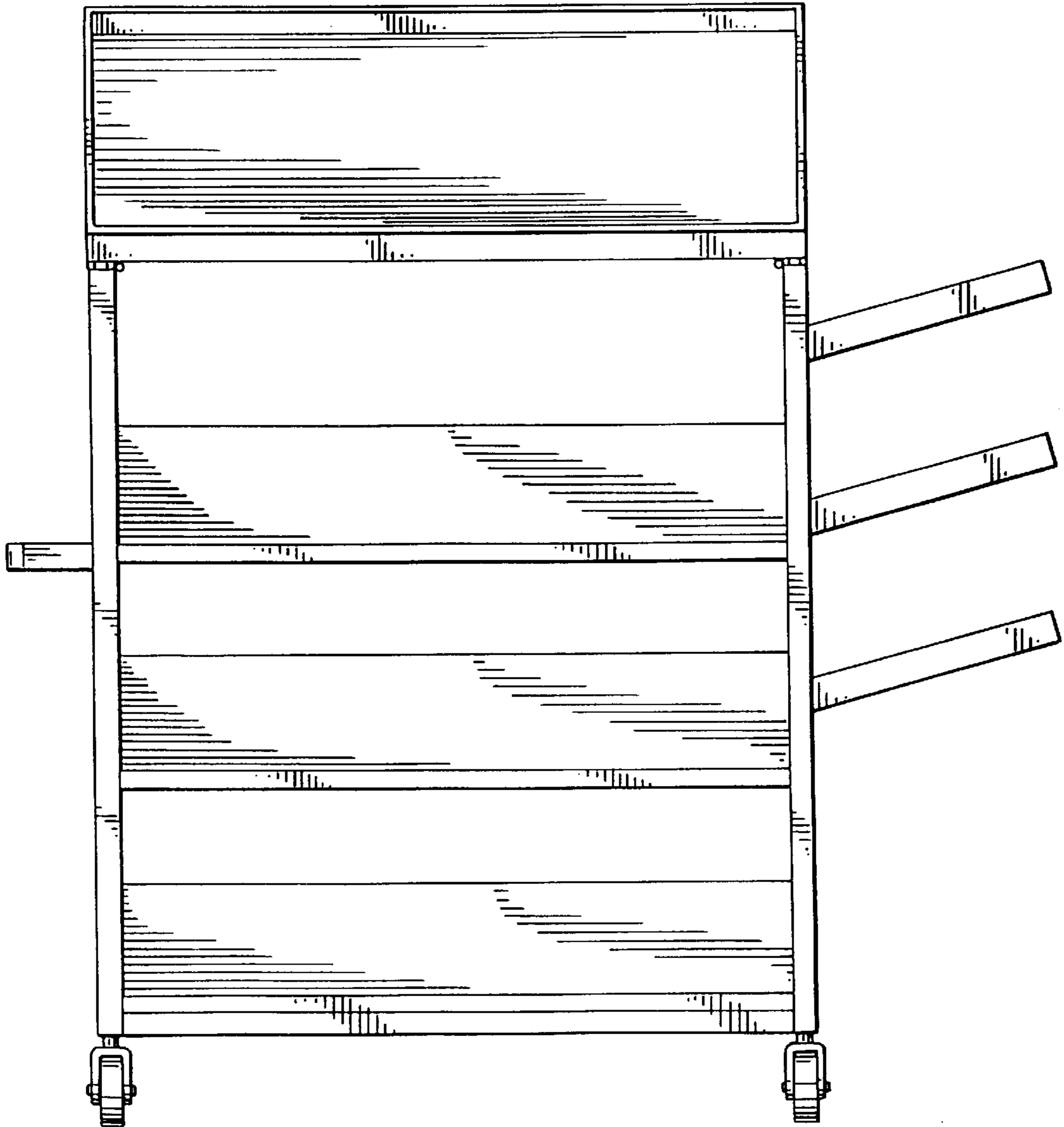


FIG. 4

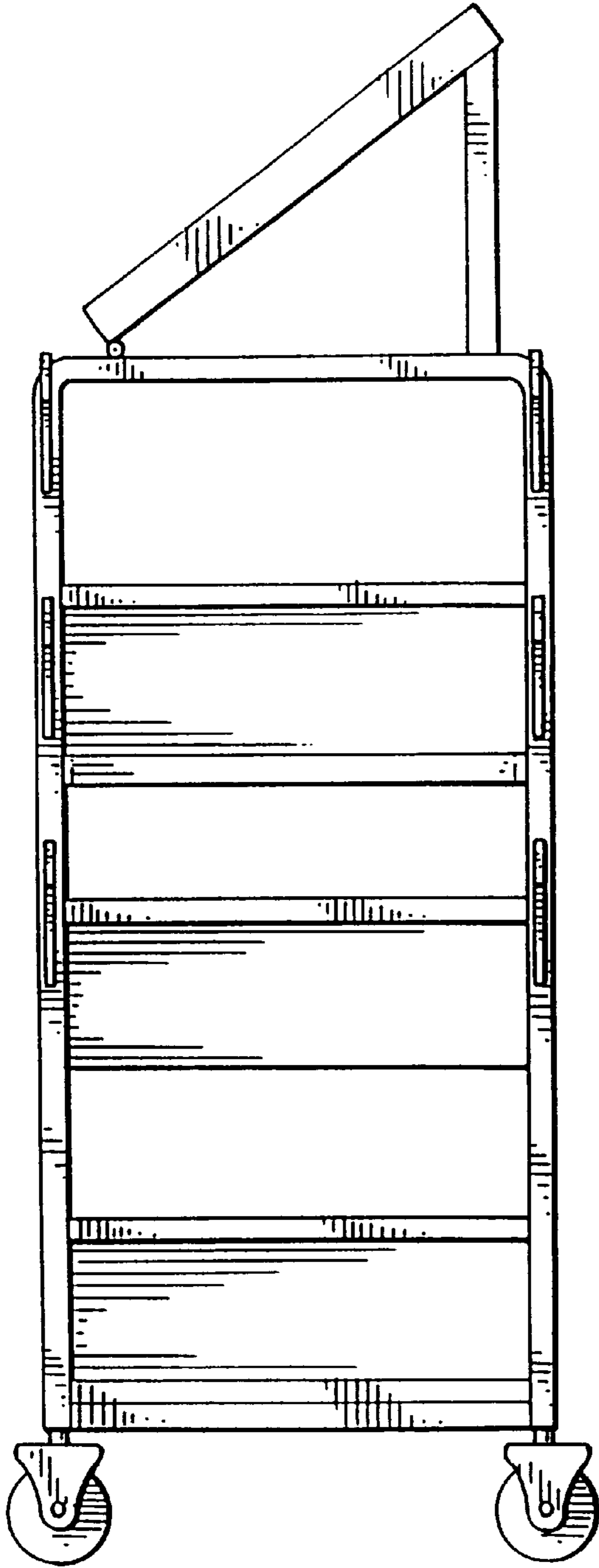


FIG. 5

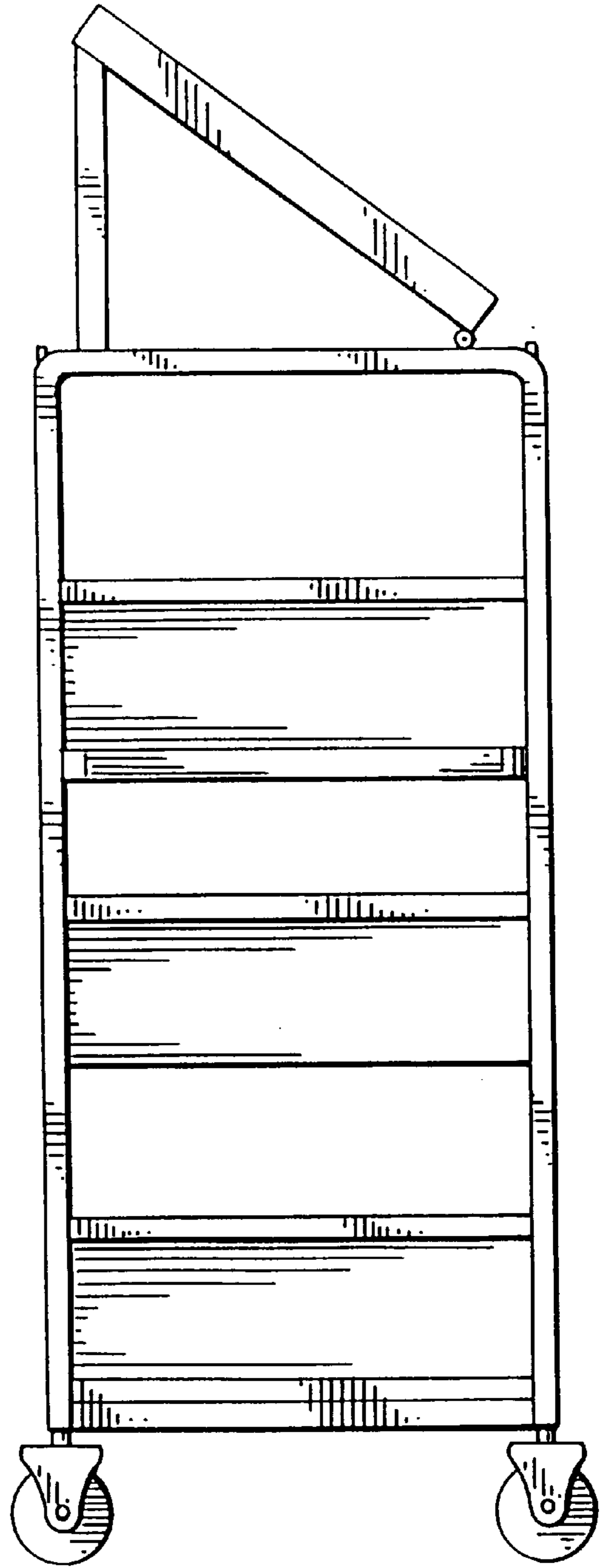


FIG. 6

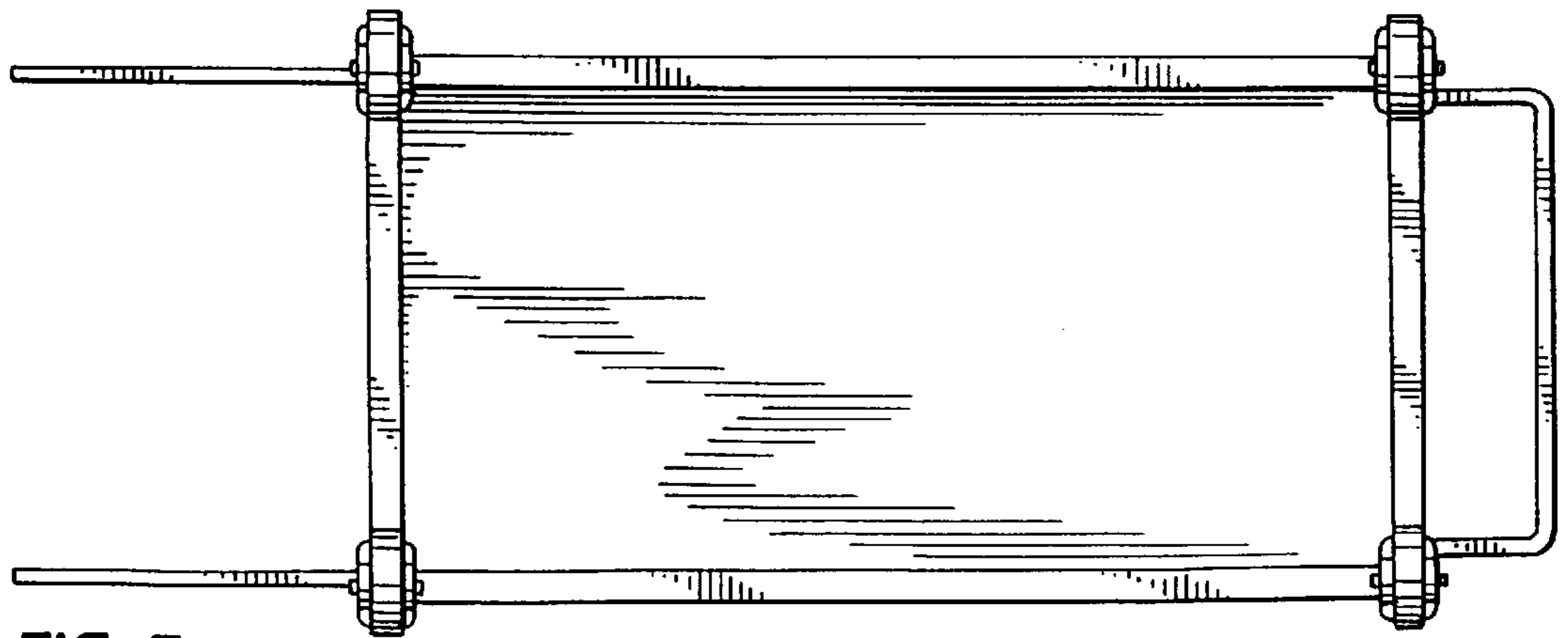
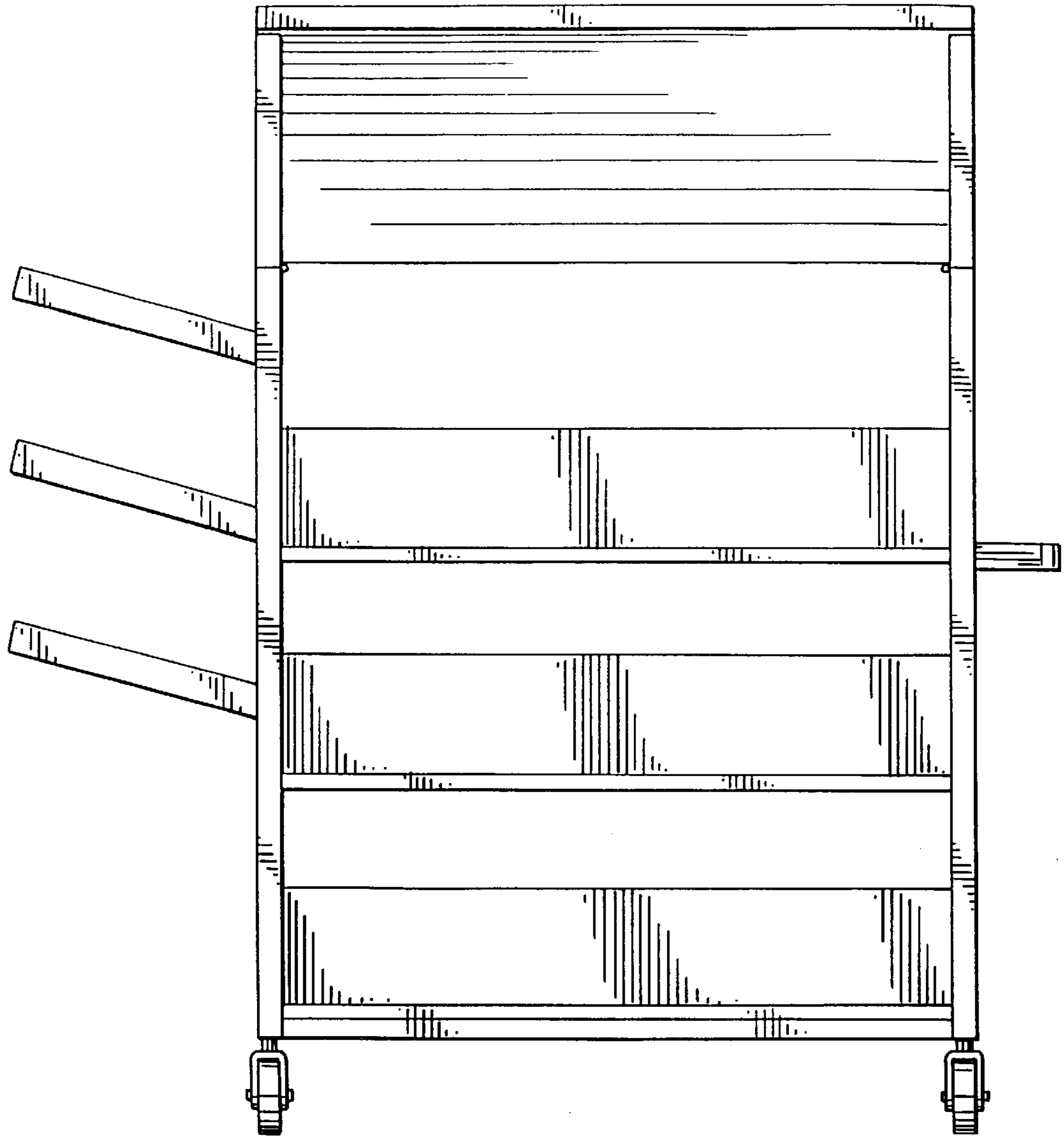


FIG. 7