



US00D411901S

United States Patent [19]
Gomulinski

[11] **Patent Number: Des. 411,901**
[45] **Date of Patent: ** Jul. 6, 1999**

[54] **DRYER VENT**

5,675,908 10/1997 Barnes 34/86

[76] Inventor: **Dennis Richard Gomulinski**, 30436
Gloede, Warren, Mich. 48093

Primary Examiner—Mitchell I. Siegel
Attorney, Agent, or Firm—Chupa & Alberti, P.C.

[**] Term: **14 Years**

[57] **CLAIM**

[21] Appl. No.: **29/087,983**

The ornamental design for a dryer vent, as shown and described.

[22] Filed: **May 13, 1998**

DESCRIPTION

[51] **LOC (6) Cl.** **15-05**

[52] **U.S. Cl.** **D32/25**

[58] **Field of Search** D32/25; D23/393;
34/82, 86, 90; 454/367, 359

FIG. 1 is a front perspective view of my design for a dryer vent;

FIG. 2 is a front elevation view thereof;

FIG. 3 is a rear elevation view thereof;

FIG. 4 is a top plan view thereof;

FIG. 5 is a bottom plan view thereof; and,

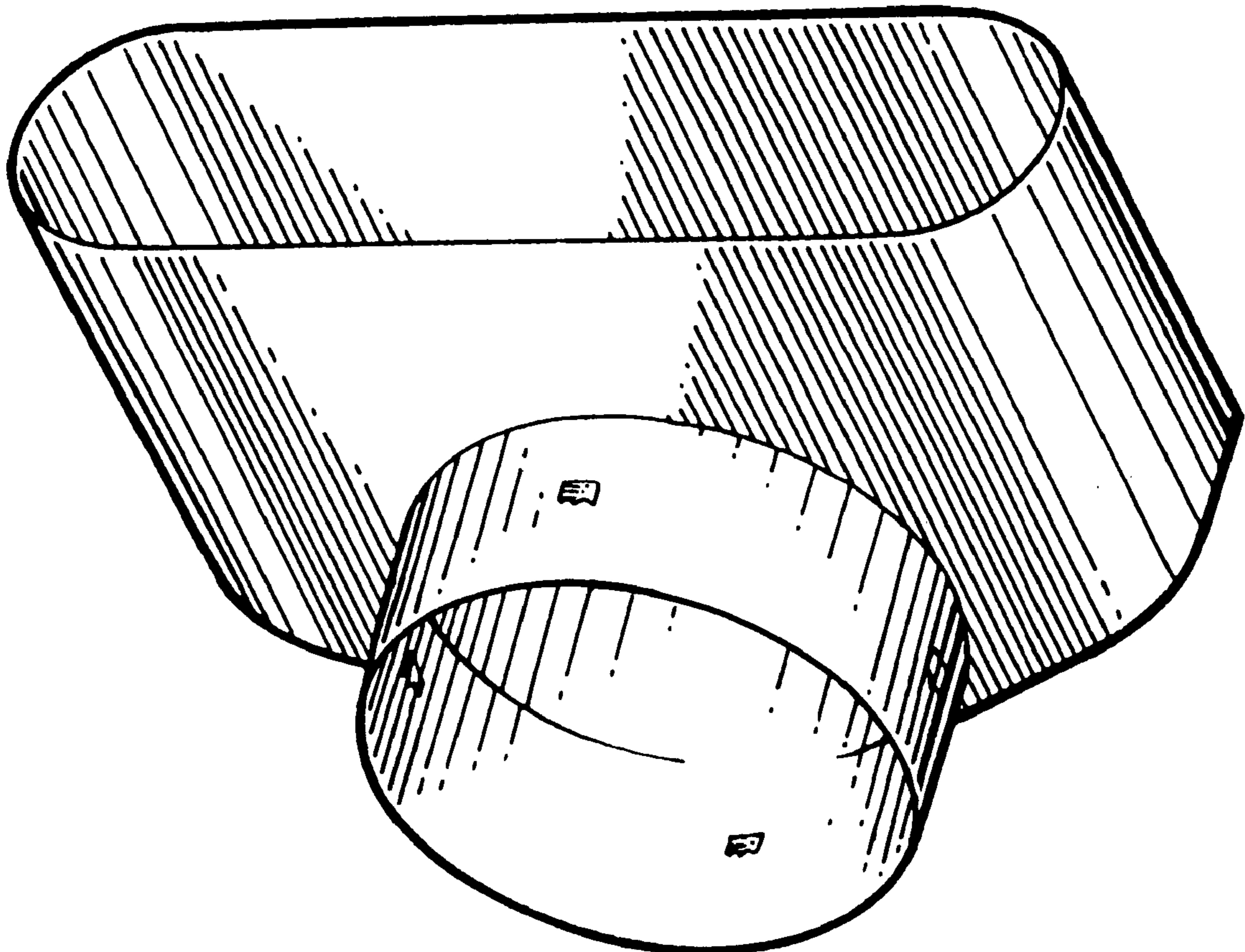
FIG. 6 is a right side elevation view thereof the undisclosed left side being a mirror image.

[56] **References Cited**

U.S. PATENT DOCUMENTS

D. 277,131 1/1985 Shames et al. D23/393
D. 384,449 9/1997 Vipond et al. D32/25
4,922,808 5/1990 Smith 34/90

1 Claim, 4 Drawing Sheets



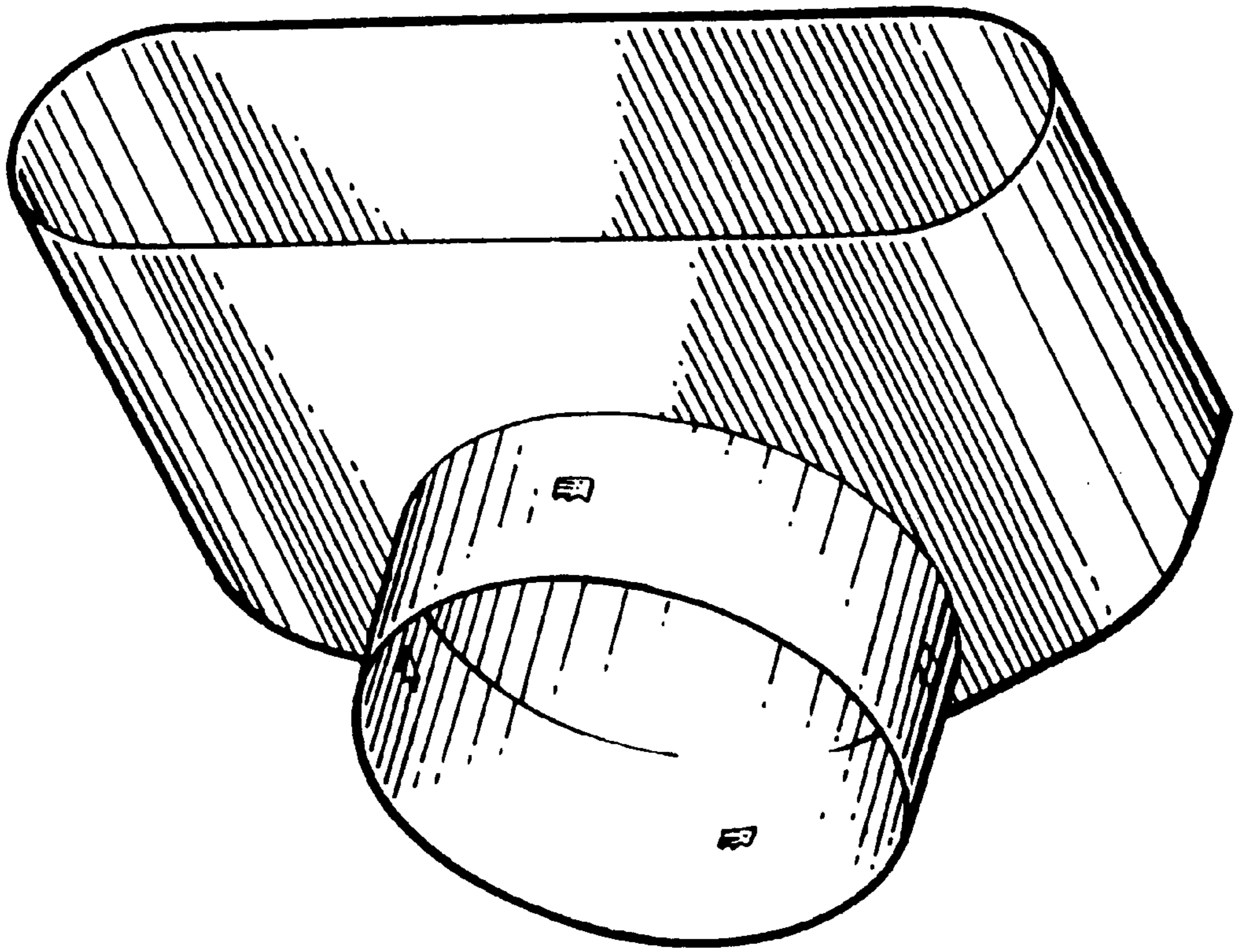


FIG. 1

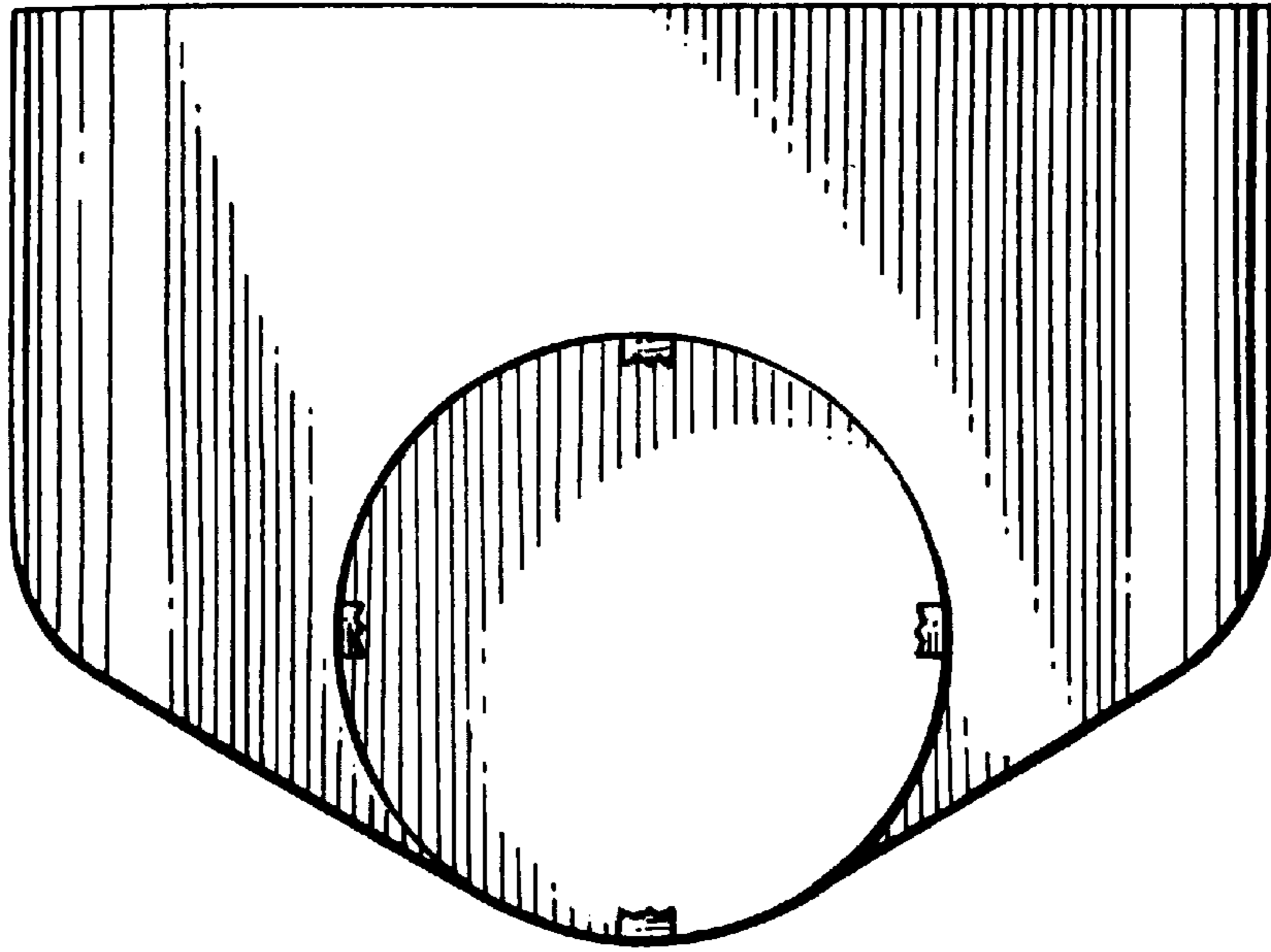


FIG. 2

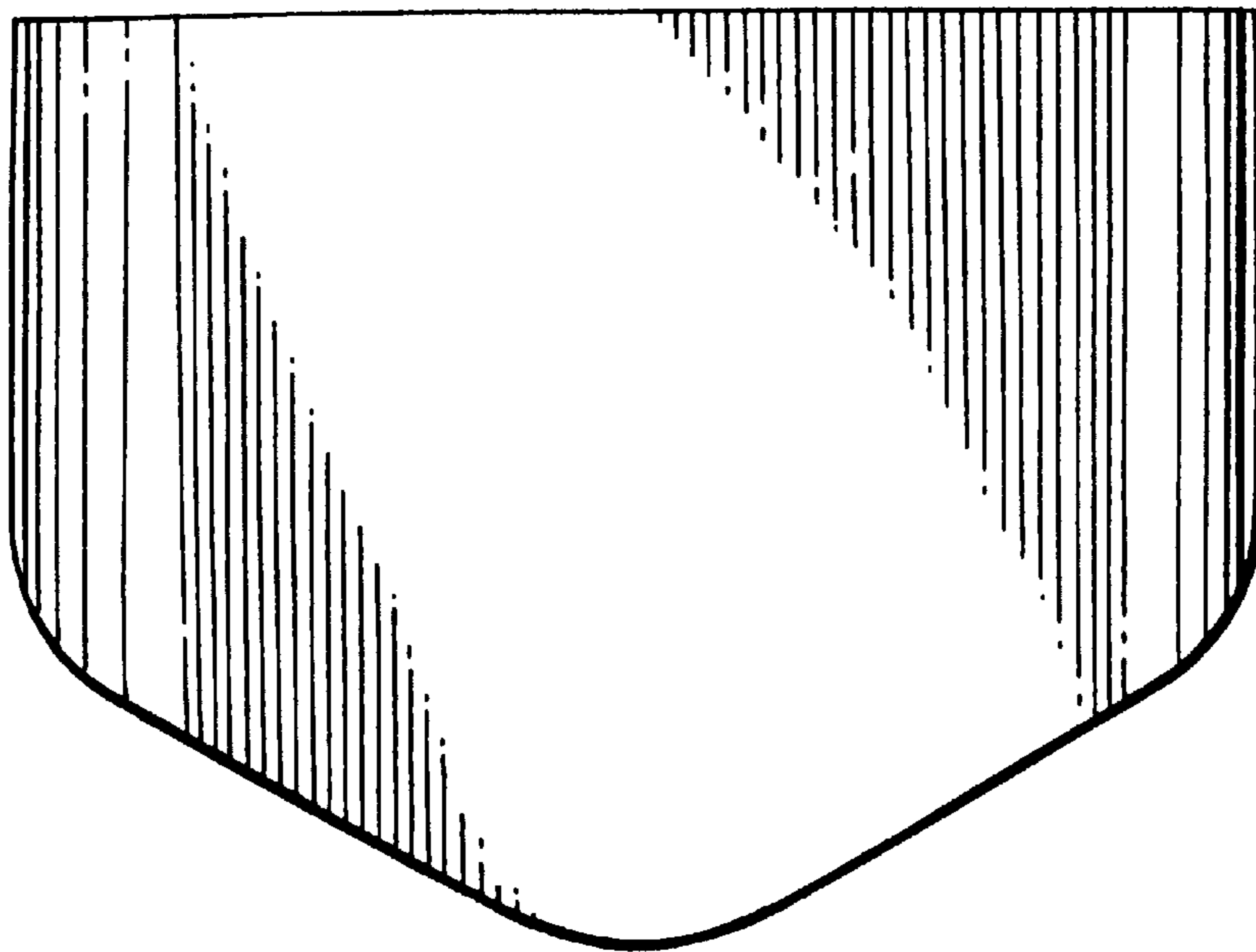


FIG. 3

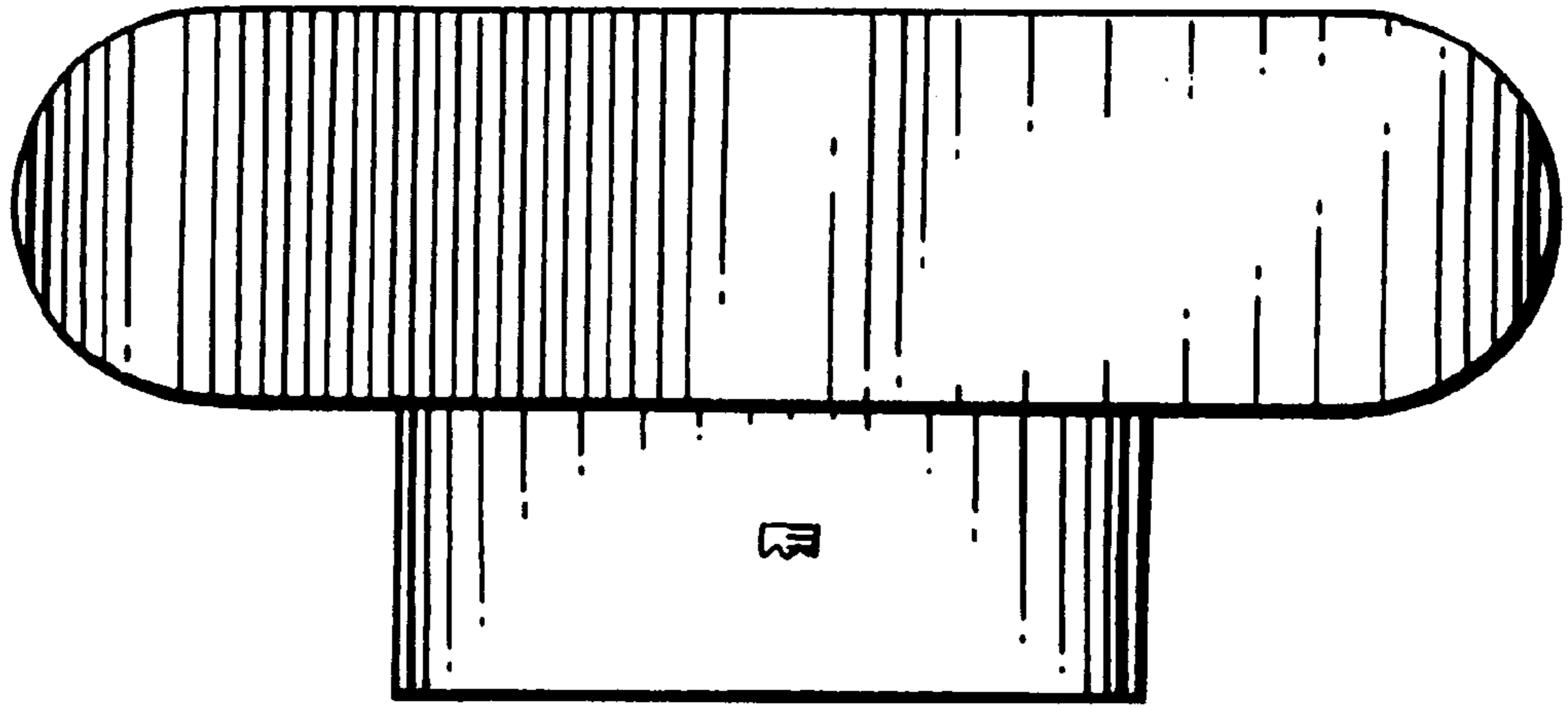


FIG. 4

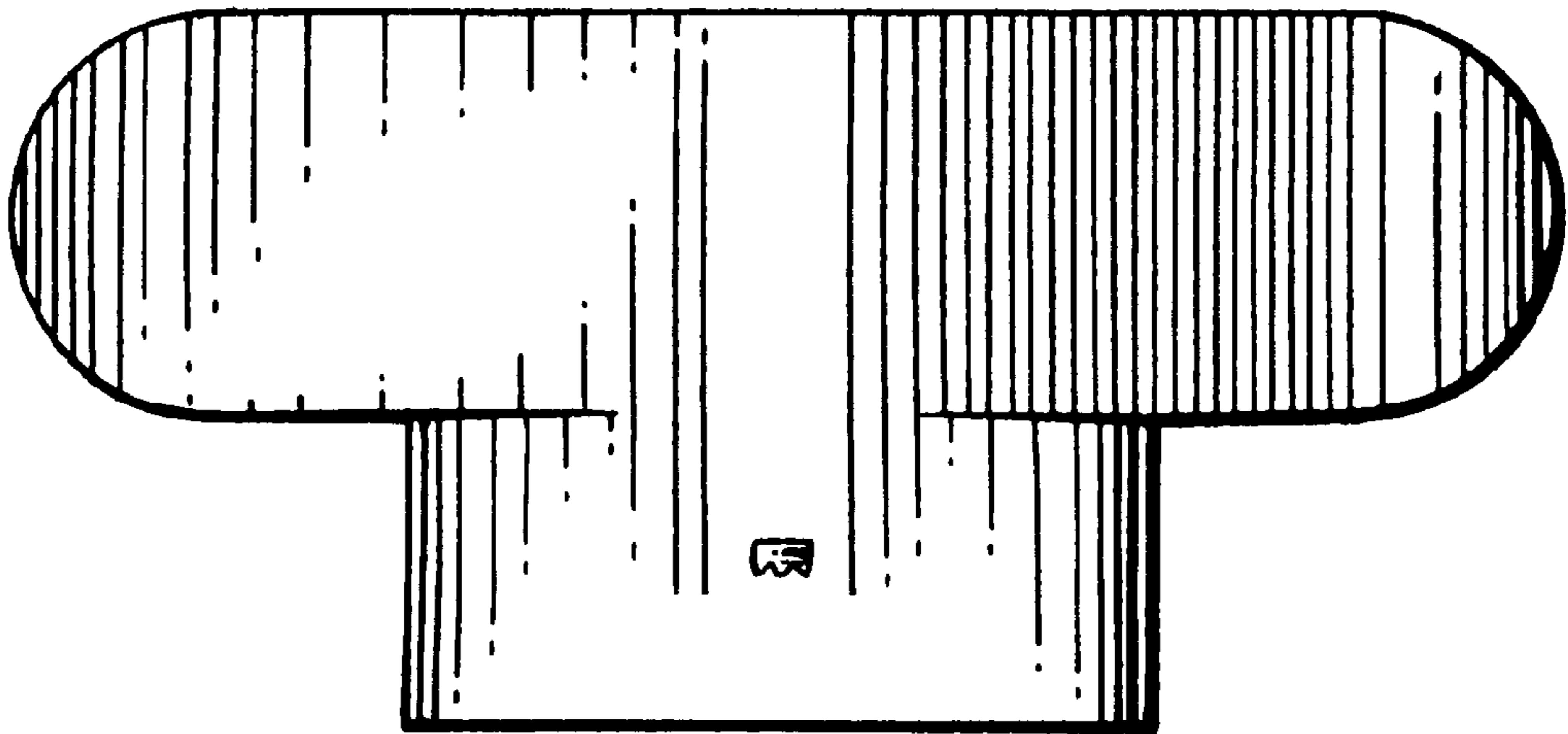


FIG. 5

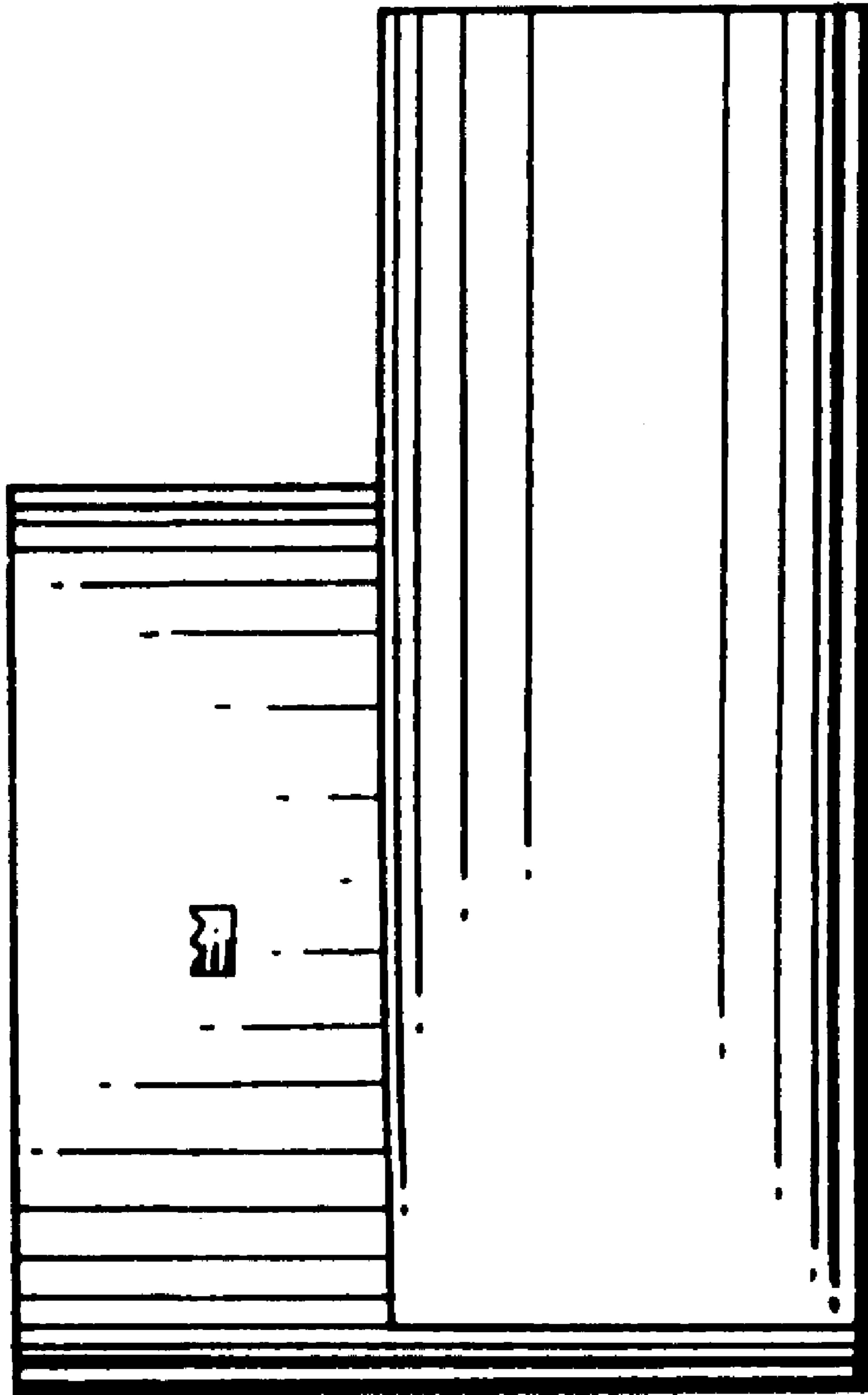


FIG. 6