



US00D411895S

United States Patent [19]
Houston

[11] **Patent Number: Des. 411,895**
[45] **Date of Patent: ** *Jul. 6, 1999**

[54] **ROUND HOOD GARDEN LIGHT**

D. 328,502 8/1992 Hartman D26/68

[76] Inventor: **Lance Houston**, P.O. Box 2177,
Seaside, Calif. 93955

Primary Examiner—Susan J. Lucas
Attorney, Agent, or Firm—Thomas S. Baker, Jr.

[*] Notice: This patent is subject to a terminal disclaimer.

[57] **CLAIM**

[**] Term: **14 Years**

The ornamental design for a round hood garden light, as shown and described.

[21] Appl. No.: **29/092,950**

DESCRIPTION

[22] Filed: **Aug. 31, 1998**

[51] **LOC (6) Cl.** **26-05**

[52] **U.S. Cl.** **D26/68**

[58] **Field of Search** D26/67, 68, 69,
D26/70, 71; 362/431, 153, 153.1

FIG. 1 is a top plan view of the round hood garden light;
FIG. 2 is a fragmentary enlarged front elevational view thereof;
FIG. 3 is a bottom view thereof; and,
FIG. 4 is a front elevational view thereof, all sides being a mirror image.

[56] **References Cited**

U.S. PATENT DOCUMENTS

D. 219,022 10/1970 Yamazaki D26/68 X

1 Claim, 2 Drawing Sheets

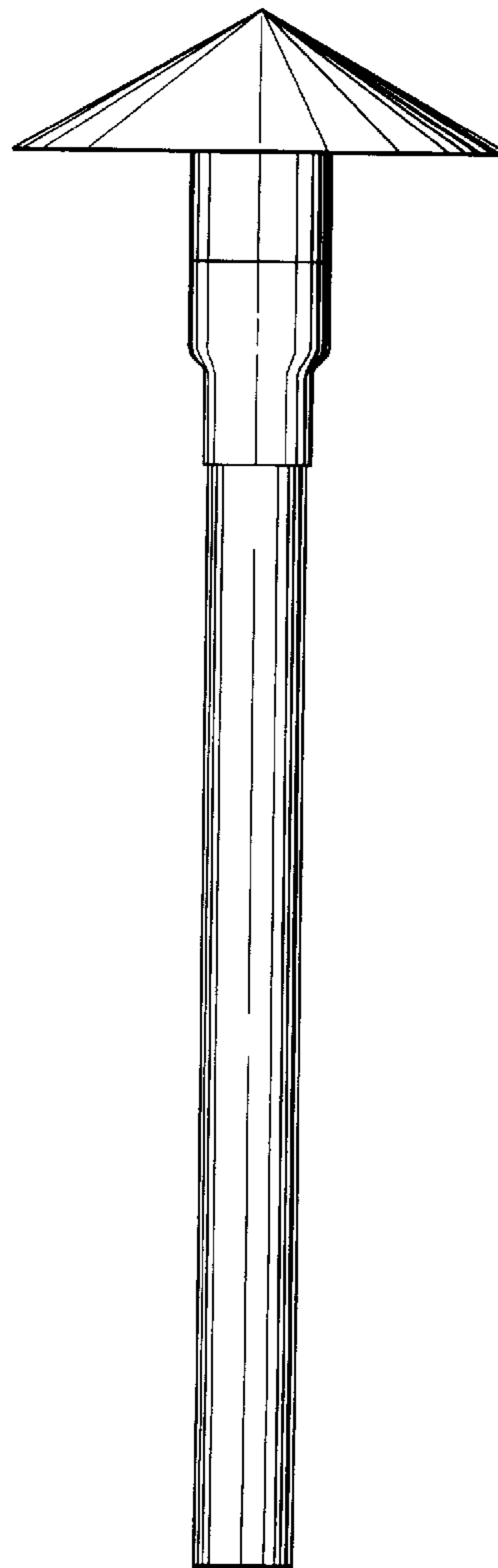
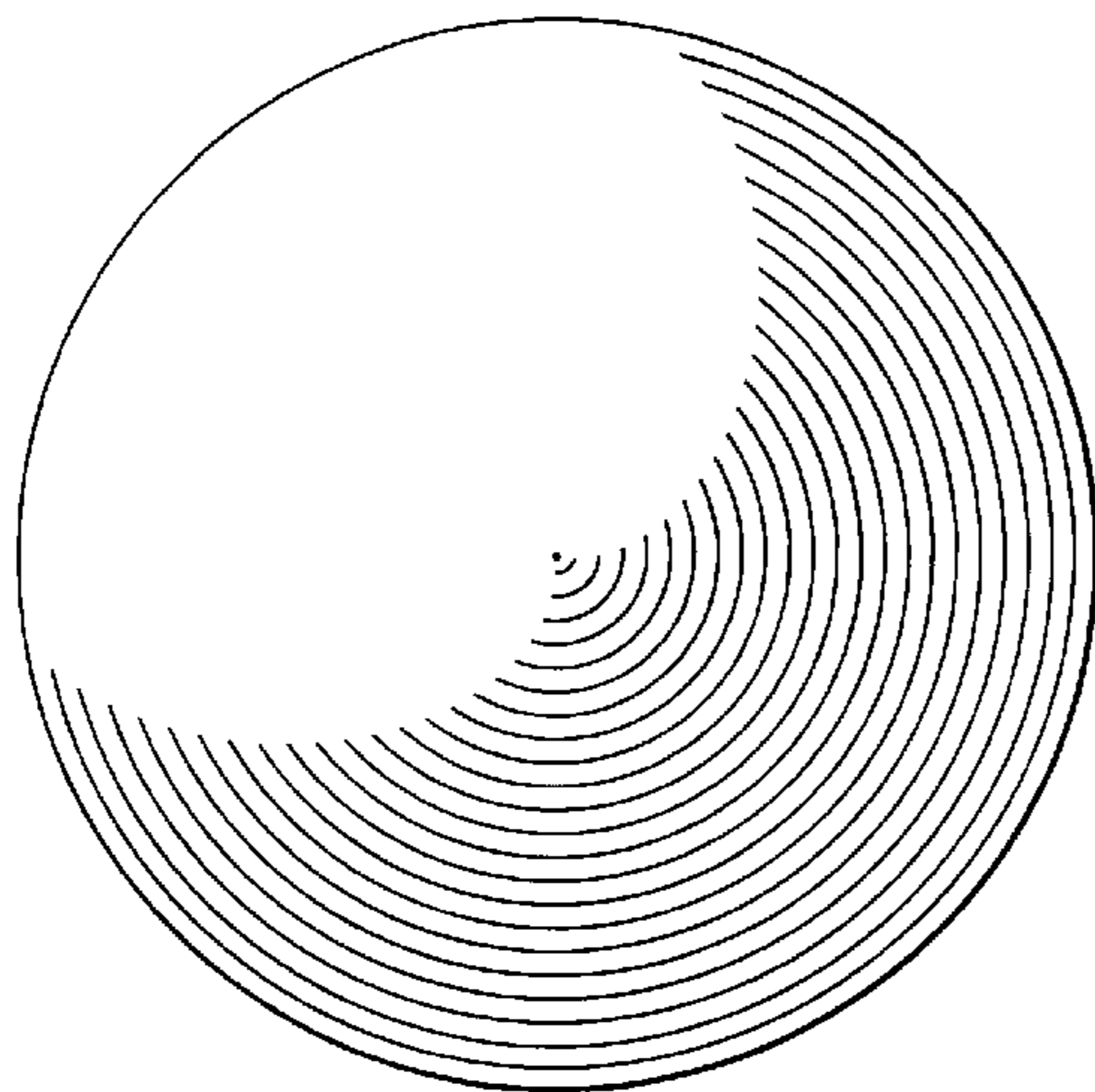


FIG. 1

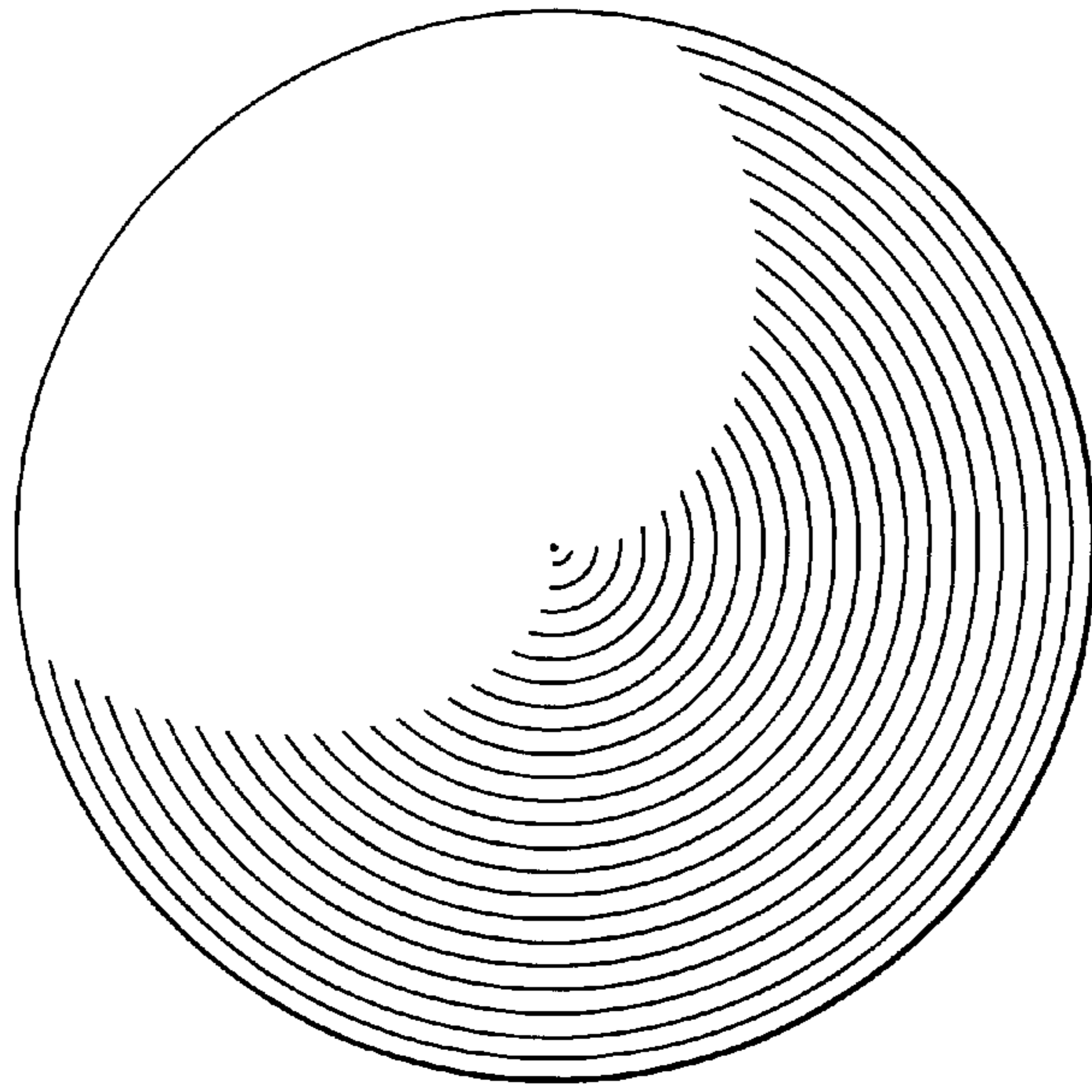


FIG. 2

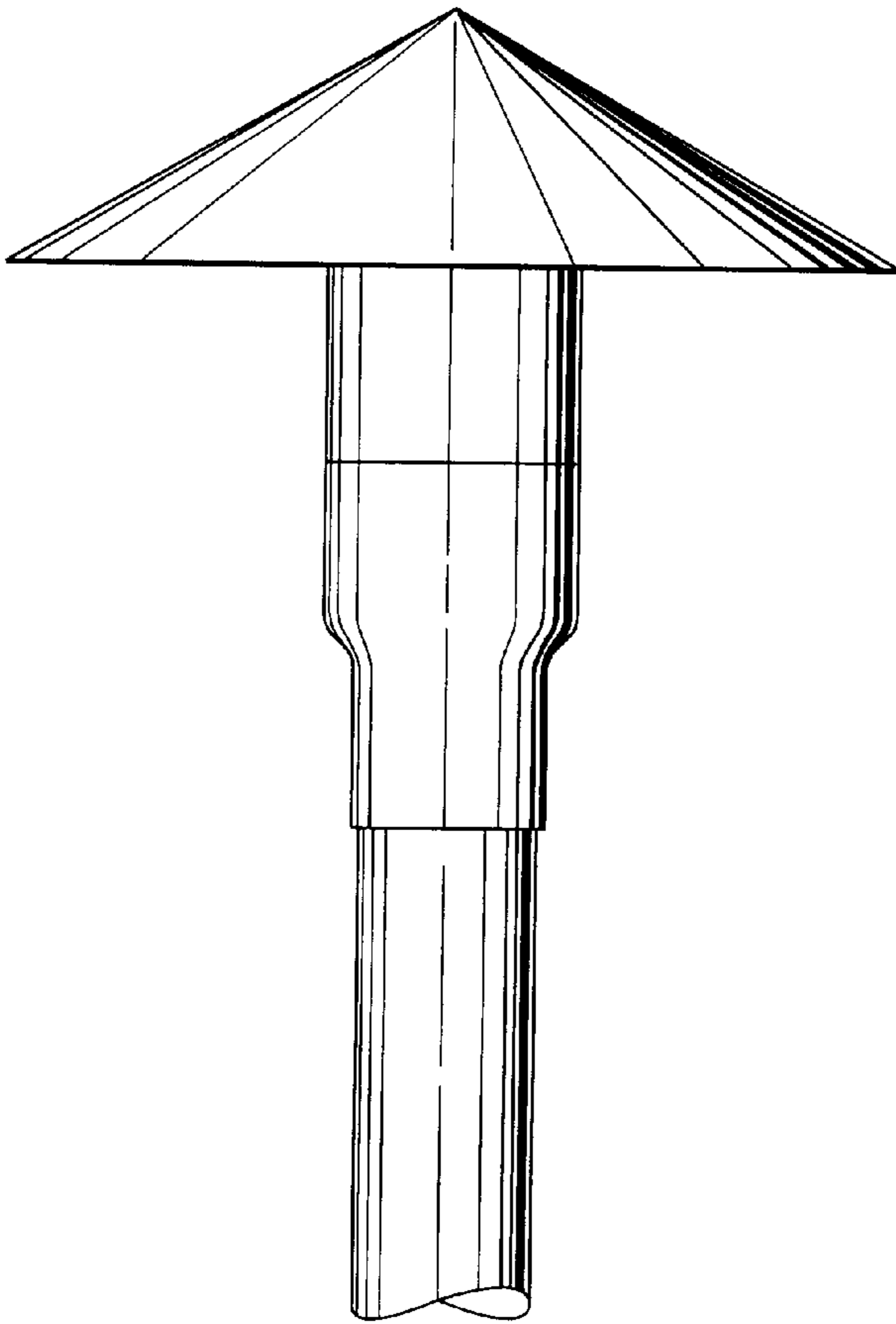


FIG. 3

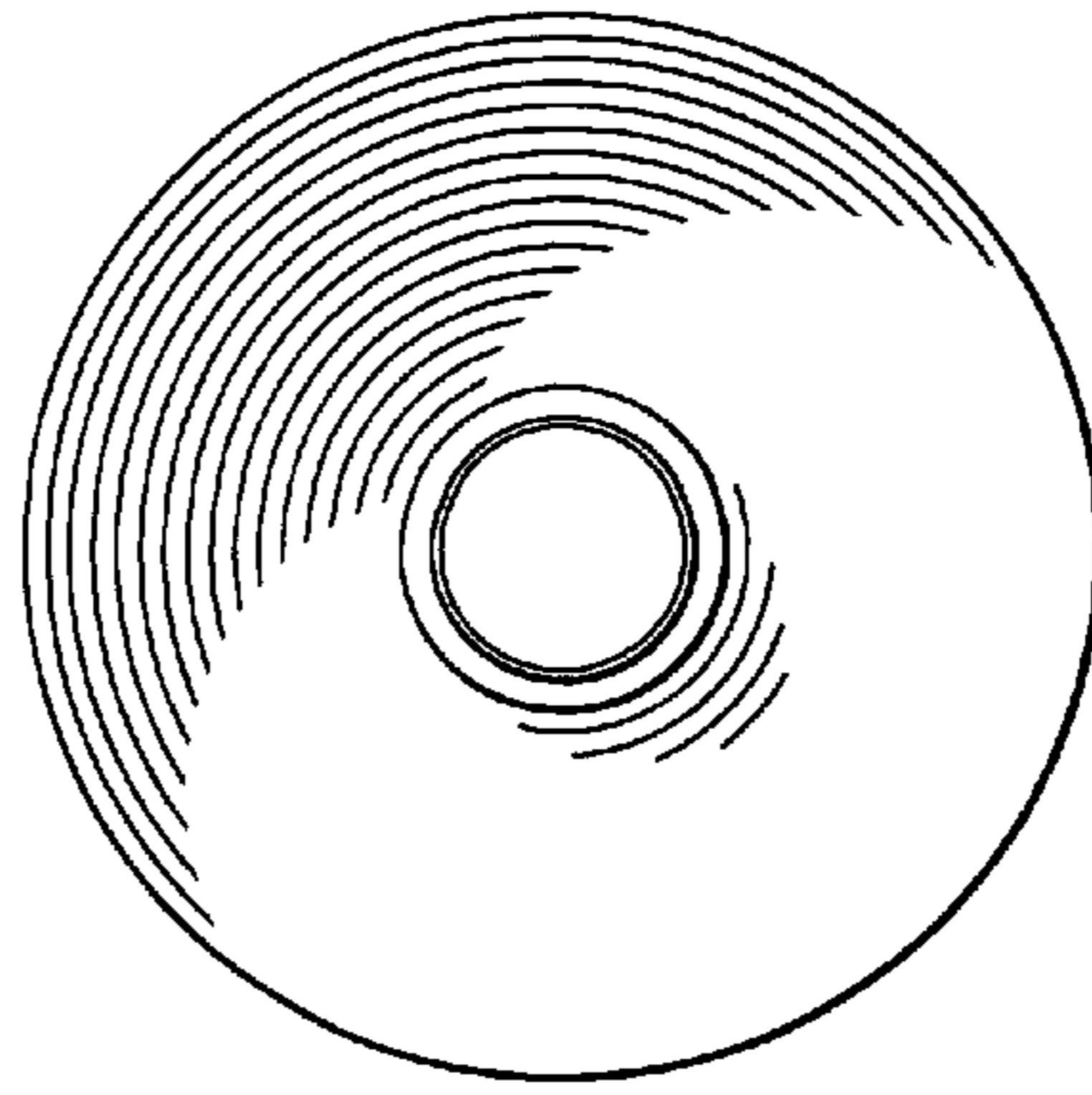


FIG. 4

