



US00D411893S

# United States Patent [19]

Matthes et al.

[11] Patent Number: **Des. 411,893**

[45] Date of Patent: **\*\* Jul. 6, 1999**

[54] **FLASHLIGHT**

[75] Inventors: **Robert W. Matthes; Richard K. Pallo**, both of Buckingham, Pa.; **Scott D. Price**, Singapore, Singapore; **Roger Q. Smith**, Reisterstown, Md.; **Velissa Van Scoyoc**, Pottstown, Pa.

[73] Assignee: **Black & Decker Inc.**, Newark, Del.

[\*\*] Term: **14 Years**

[21] Appl. No.: **29/072,982**

[22] Filed: **Jun. 26, 1997**

### Related U.S. Application Data

[63] Continuation of application No. 29/057,929, Aug. 5, 1996, abandoned.

[51] **LOC (6) Cl.** ..... **26-02**

[52] **U.S. Cl.** ..... **D26/37**

[58] **Field of Search** ..... D26/37-50; 362/157, 362/158, 171, 172, 178, 181, 183, 192, 194, 196, 197, 200-206

### [56] References Cited

#### U.S. PATENT DOCUMENTS

- D. 128,638 8/1941 Muldoon .
- D. 139,550 11/1944 Kinney, Jr. .
- D. 142,277 8/1945 Lippincott .
- D. 153,282 4/1949 Haas .
- D. 199,264 9/1964 Doring .
- D. 216,735 3/1970 Brindley .
- D. 230,068 1/1974 Numbers .
- D. 263,170 2/1982 Maglica .
- D. 276,375 11/1984 Fenne .
- D. 285,356 8/1986 Schosser et al. .
- D. 287,642 1/1987 Kung .
- D. 290,517 6/1987 Smith .
- D. 295,561 5/1988 Hsiao .
- D. 303,846 10/1989 Parker .
- D. 307,488 4/1990 Sharrah .
- D. 308,253 5/1990 Battles et al. .
- D. 308,257 5/1990 Staubitz et al. .
- D. 309,952 8/1990 Lee .
- D. 322,141 12/1991 Yuen .
- D. 323,404 1/1992 Fenne .
- D. 332,319 1/1993 Yuen .

- D. 332,321 1/1993 Yuen .
- D. 333,358 2/1993 Burns .
- D. 333,527 2/1993 Leung .
- D. 348,740 7/1994 Yuen .
- D. 351,477 10/1994 Bamber .
- D. 355,040 1/1995 Dalton et al. .
- D. 360,043 7/1995 Inukai .
- D. 360,702 7/1995 Bamber .
- D. 362,319 9/1995 Bamber .
- D. 363,138 10/1995 Poon .
- D. 368,147 3/1996 Bamber et al. .
- 5,432,689 7/1995 Sharrah et al. .

### FOREIGN PATENT DOCUMENTS

- DM010253 2/1988 Germany .
- M9102122 11/1991 Germany .
- M9104906 2/1992 Germany .
- M9206121 6/1993 Germany .
- M9504099 1/1996 Germany .

*Primary Examiner*—Marcus A. Jackson  
*Attorney, Agent, or Firm*—Bruce S. Shapiro; Dennis A. Dearing; John D. Del Ponti

### [57] CLAIM

The ornamental design for a flashlight, as shown and described.

### DESCRIPTION

FIG. 1 is a perspective view according to a first embodiment of a flashlight showing our new design.

FIG. 2 is a front elevational view according to a first embodiment.

FIG. 3 is a rear elevational view according to a first embodiment.

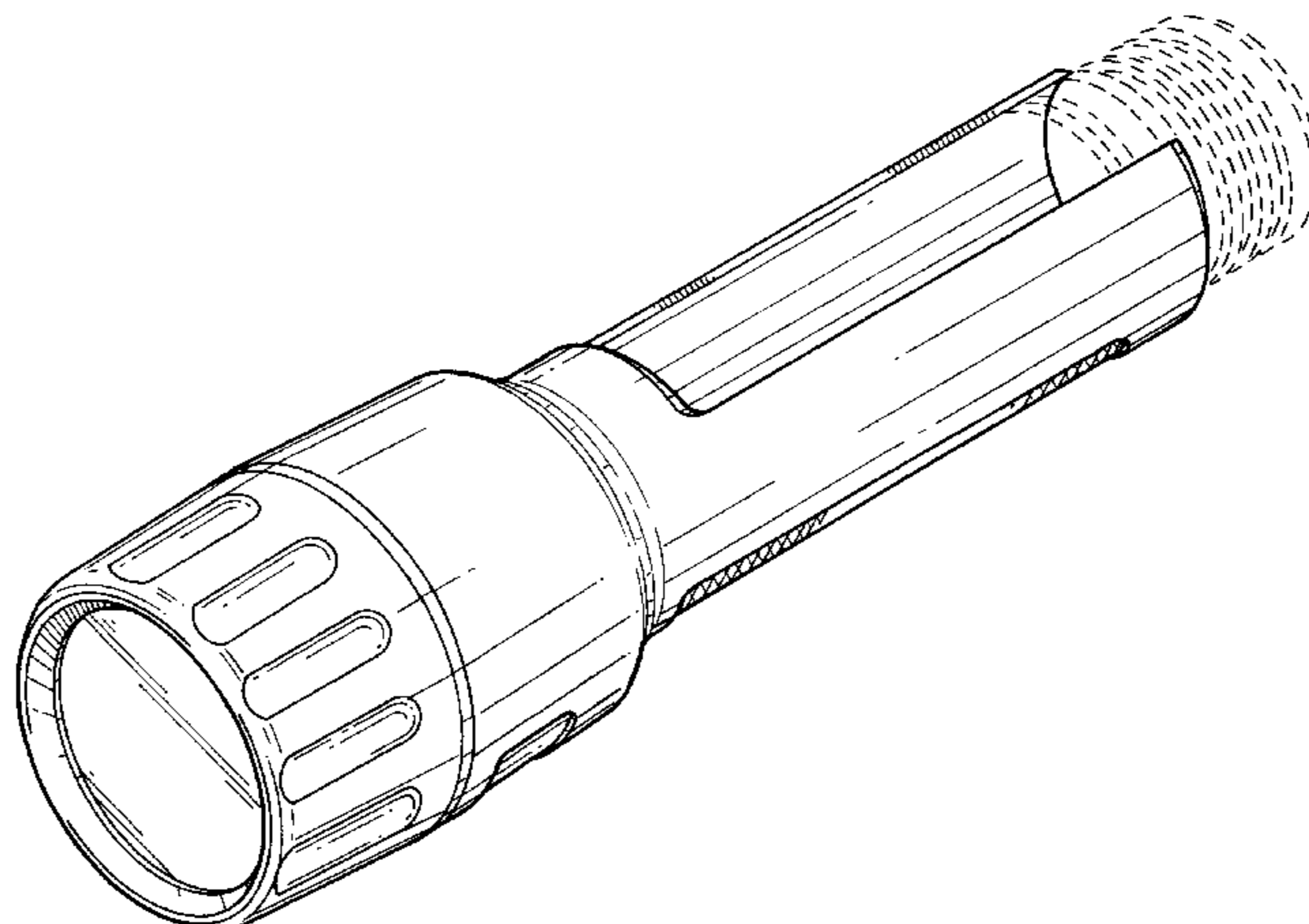
FIG. 4 is a side elevational view according to a first embodiment.

FIG. 5 is a top plan view according to a first embodiment. In the first embodiment of FIGS. 1-5, the battery shown in dashed line represents environment and does not form part of the invention.

FIG. 6 is a side elevational view of a second embodiment of a flashlight showing our new design; and,

FIG. 7 is a rear elevational view according to a second embodiment. In the second embodiment of FIGS. 6-7, the battery forms part of the invention.

**1 Claim, 4 Drawing Sheets**



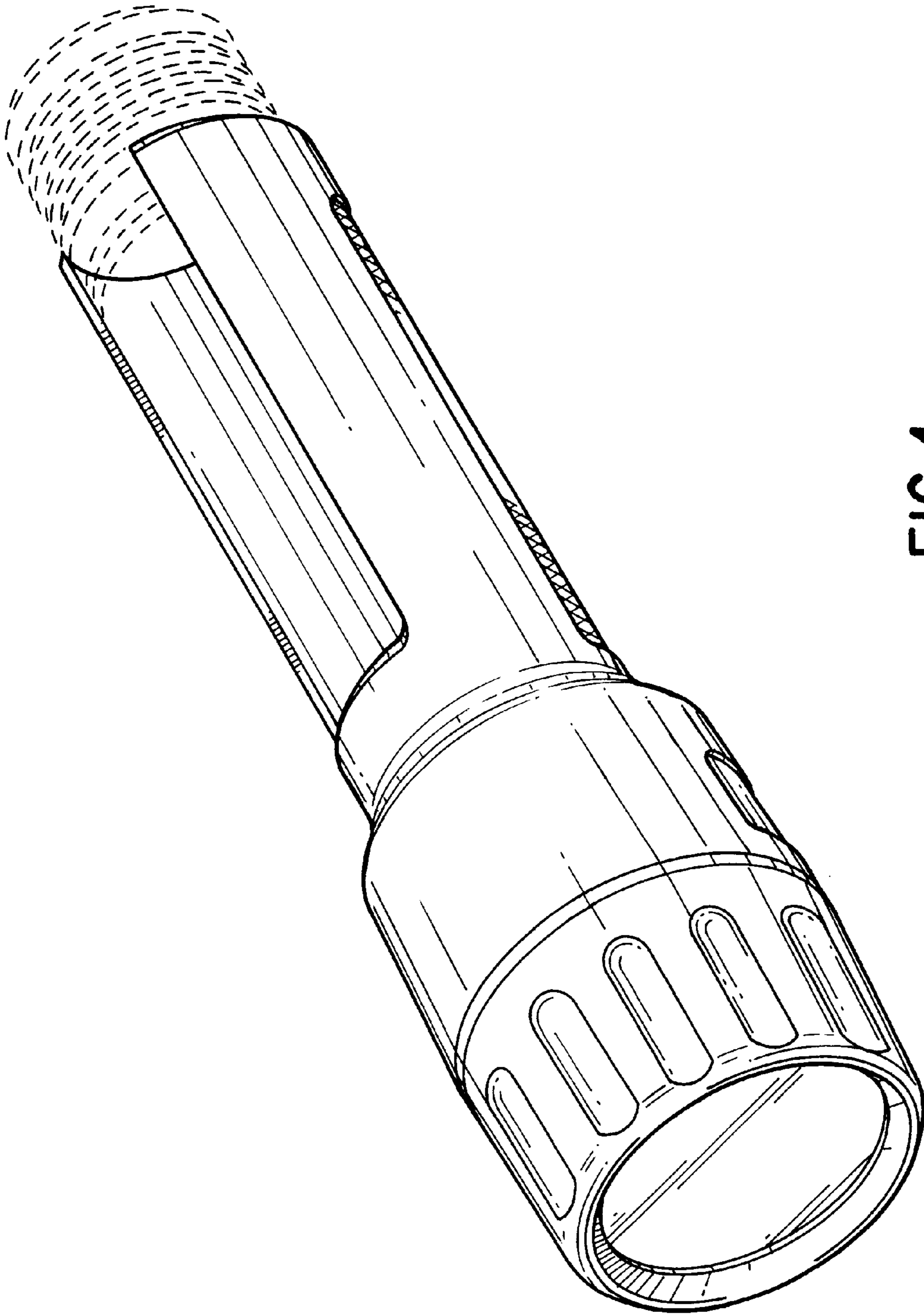


FIG. 1

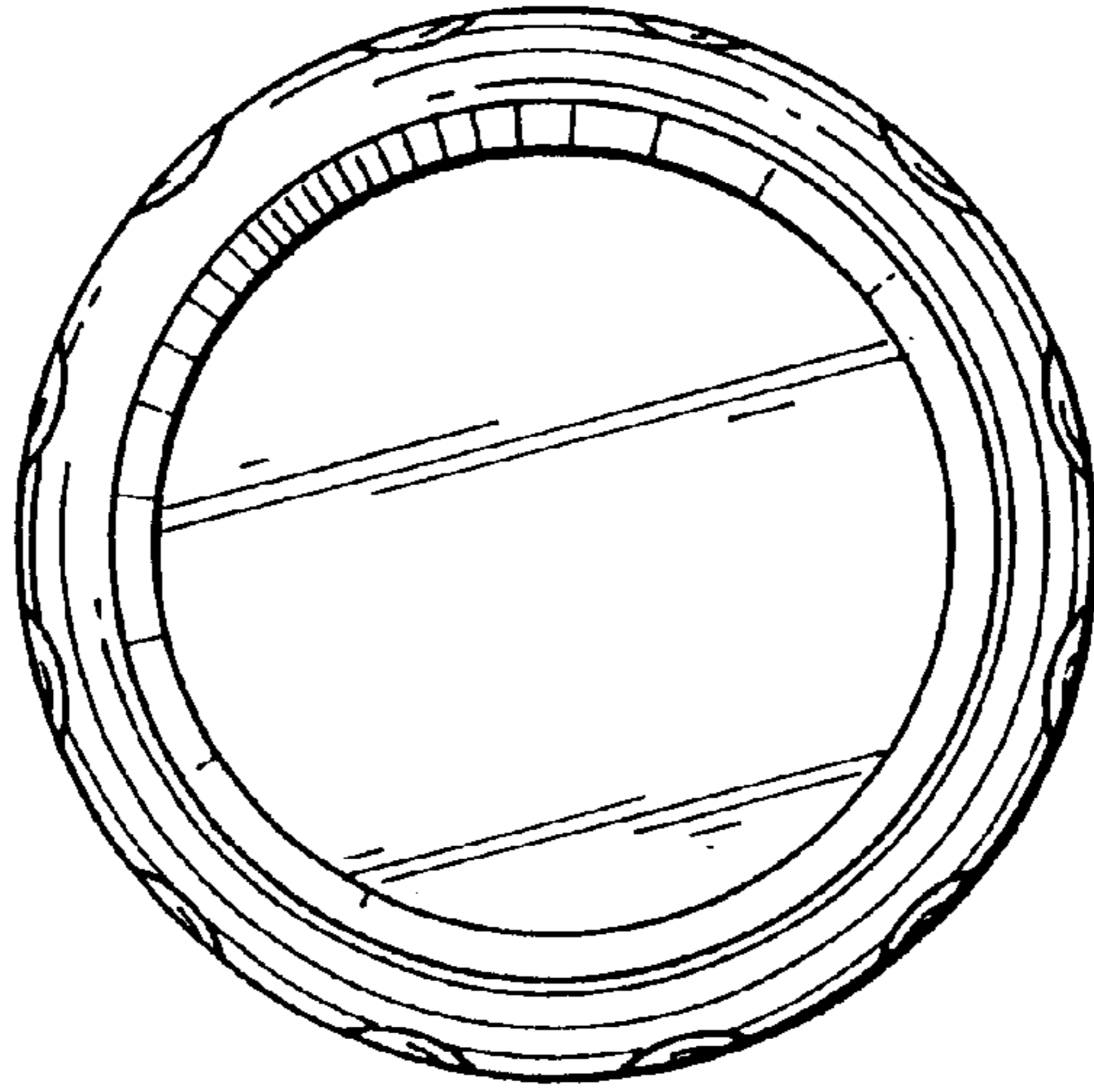


FIG. 2

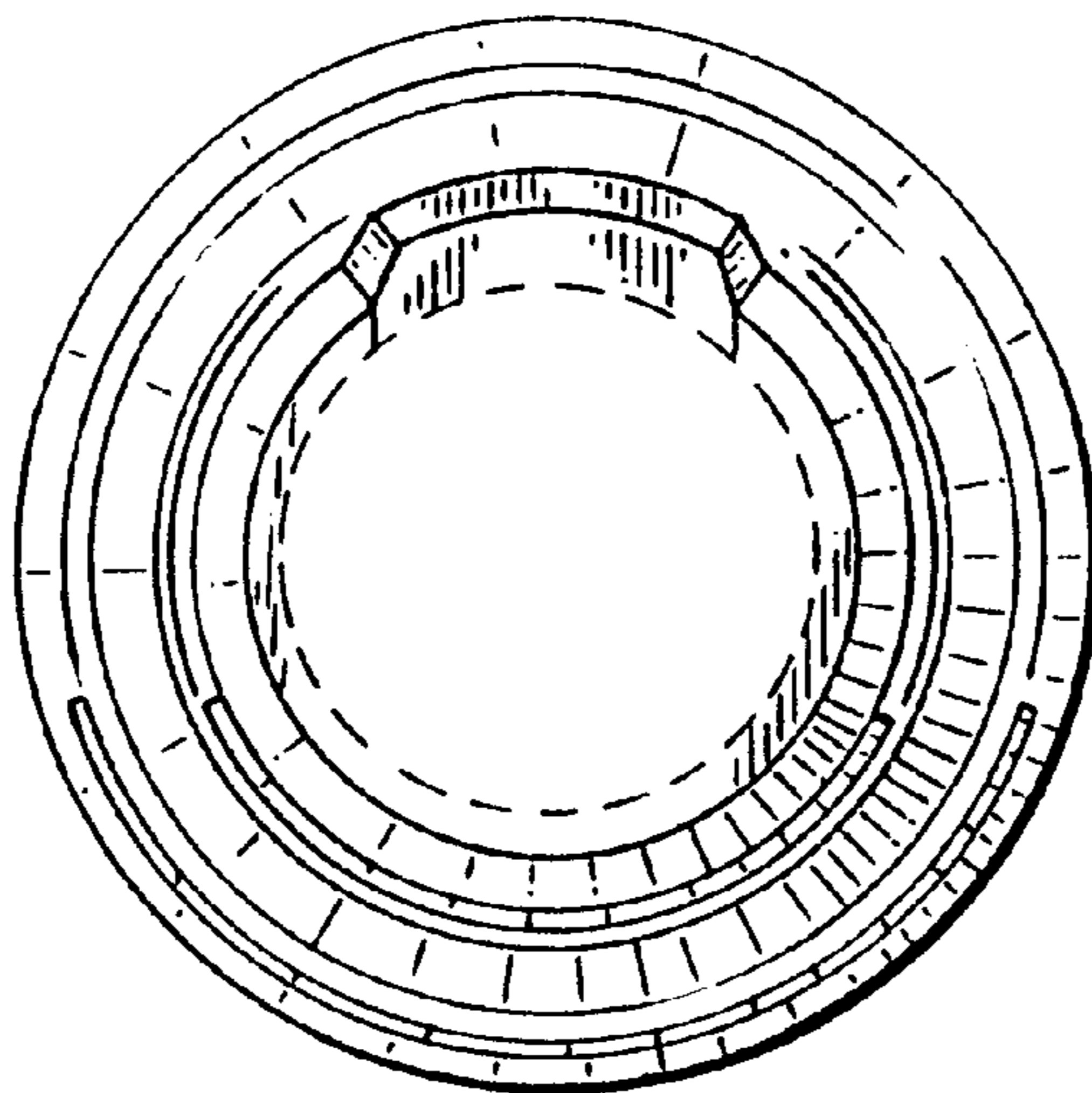


FIG. 3

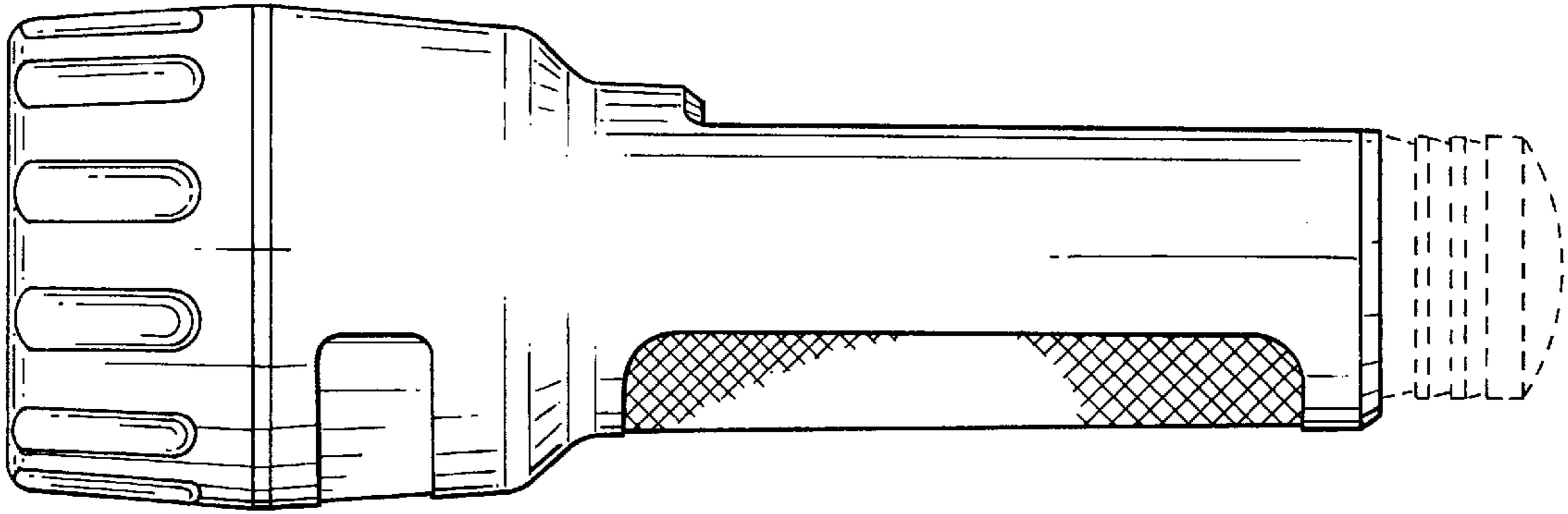


FIG. 4

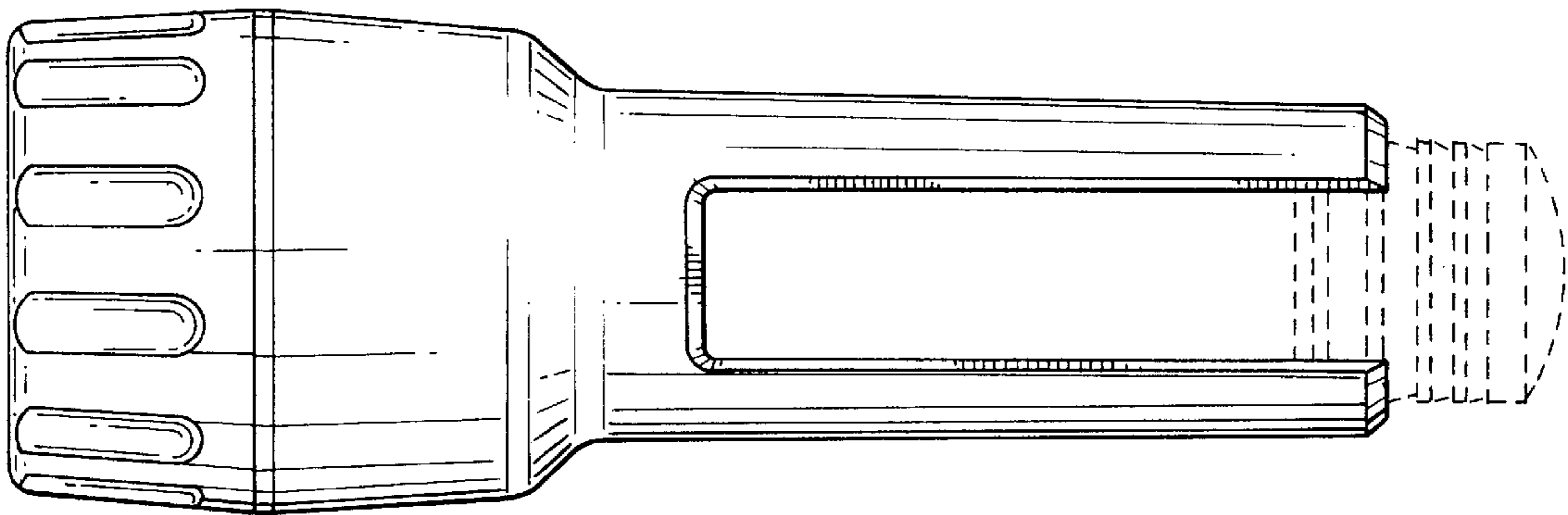


FIG. 5

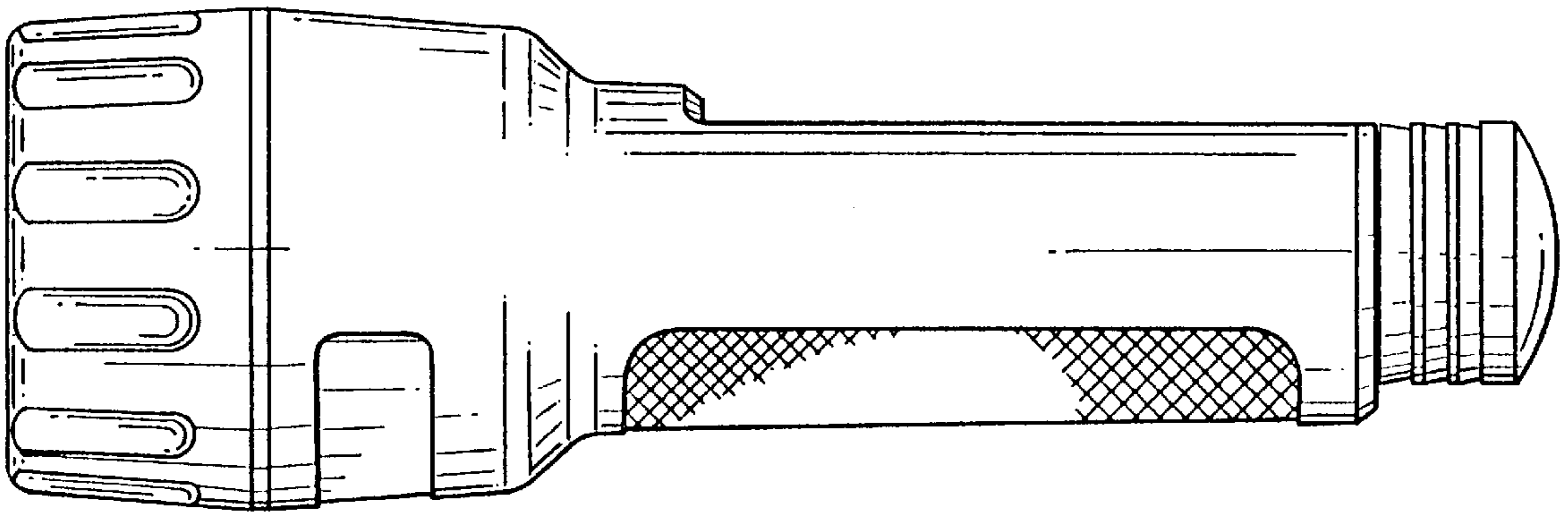


FIG. 6

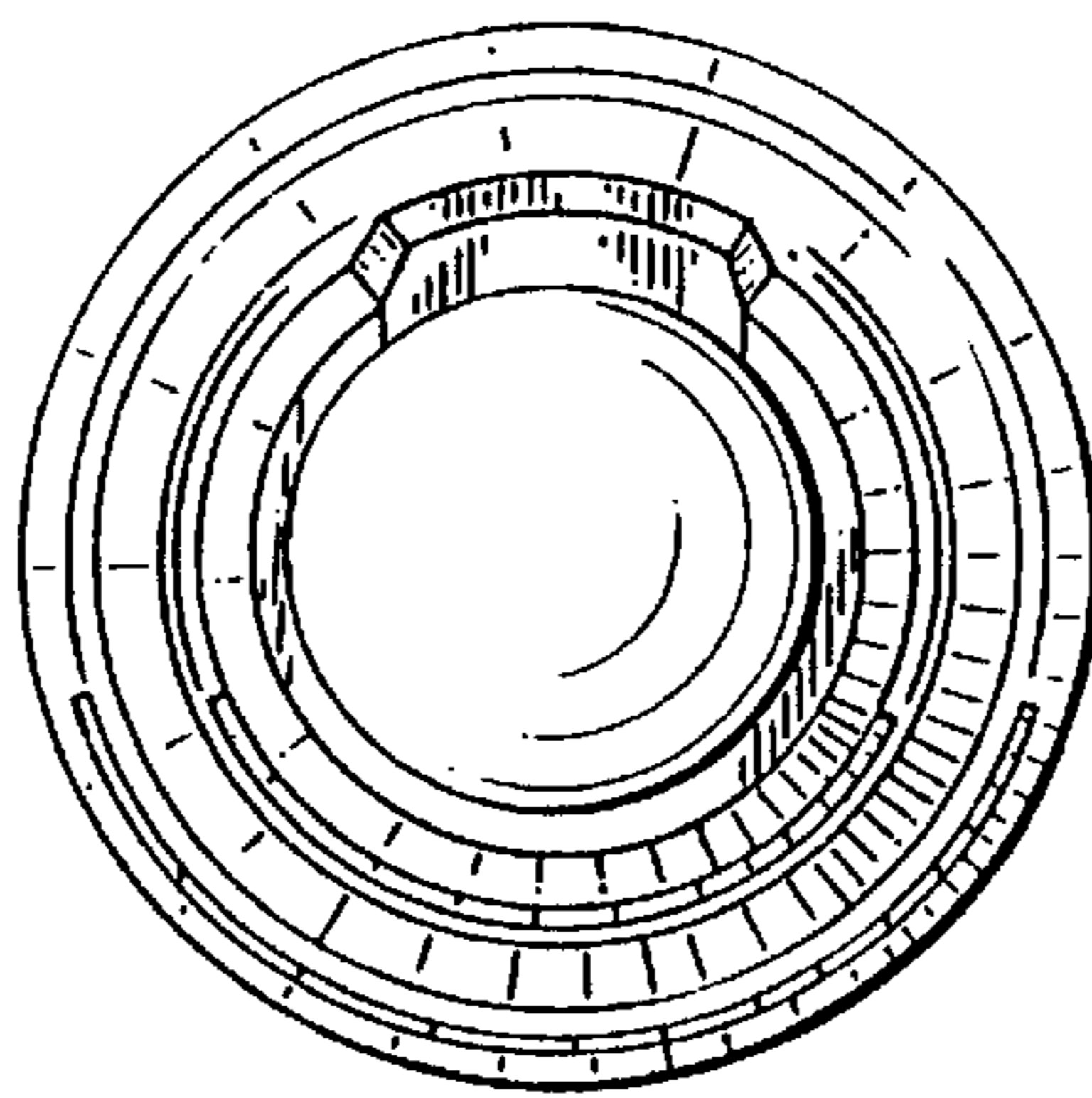


FIG. 7