



US00D411890S

# United States Patent [19]

Kato et al.

[11] Patent Number: **Des. 411,890**

[45] Date of Patent: **\*\* Jul. 6, 1999**

[54] **SELF-BALLASTED COMPACT FLUORESCENT LAMPS**

4,278,910 7/1981 Keefe et al. .... D26/2  
5,252,885 10/1993 Muzeroll et al. .... D26/2  
5,252,888 10/1993 Topel et al. .... D26/2

[75] Inventors: **Masayoshi Kato; Takeshi Matsumura; Shiro Iida**, all of Osaka, Japan

**FOREIGN PATENT DOCUMENTS**

999296 12/1997 Japan .

[73] Assignee: **Matsushita Electronics Corporation**, Osaka, Japan

**OTHER PUBLICATIONS**

[\*\*] Term: **14 Years**

DM/042 173, Philips Electronics, International Designs Bulletin, Nov. 1997.

[21] Appl. No.: **29/094,557**

*Primary Examiner*—Marcus A. Jackson

[22] Filed: **Oct. 5, 1998**

*Attorney, Agent, or Firm*—Saidman DesignLaw Group

[30] **Foreign Application Priority Data**

[57] **CLAIM**

Apr. 22, 1998 [JP] Japan ..... 10-11863

The ornamental design for a self-ballasted compact fluorescent lamps, as shown and described.

[51] **LOC (6) Cl.** ..... **26-04**

**DESCRIPTION**

[52] **U.S. Cl.** ..... **D26/2**

[58] **Field of Search** ..... D26/1, 2, 3, 4; 313/110, 112, 113, 116, 128, 129, 130, 131, 315, 318, 493; 315/56, 57, 58

FIG. 1 is a perspective view of the top front and right side of a self-ballasted compact fluorescent lamps showing our new design;

FIG. 2 is a front view thereof;

FIG. 3 is a right side view thereof;

FIG. 4 is a top plan view thereof;

FIG. 5 is a bottom view thereof;

FIG. 6 is a rear view thereof; and,

FIG. 7 is a left side view thereof.

[56] **References Cited**

**U.S. PATENT DOCUMENTS**

- D. 218,977 10/1970 Venema ..... D26/2
- D. 219,516 12/1970 Venema ..... D26/2
- D. 266,025 8/1982 Polhemus et al. .... D26/2
- D. 321,404 11/1991 Folini ..... D26/2
- D. 373,644 9/1996 Struho ..... D26/2

**1 Claim, 2 Drawing Sheets**

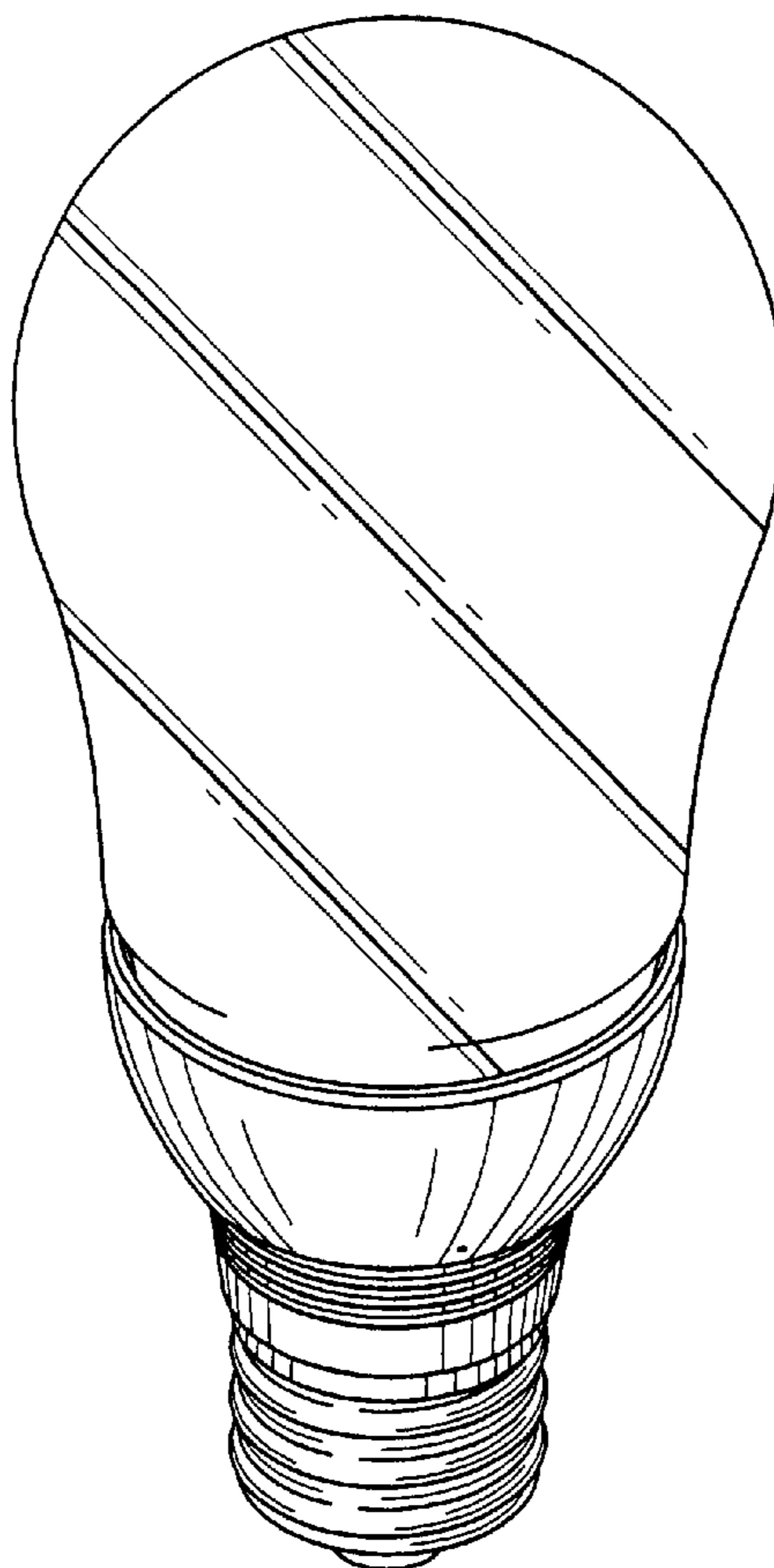


FIG. 1

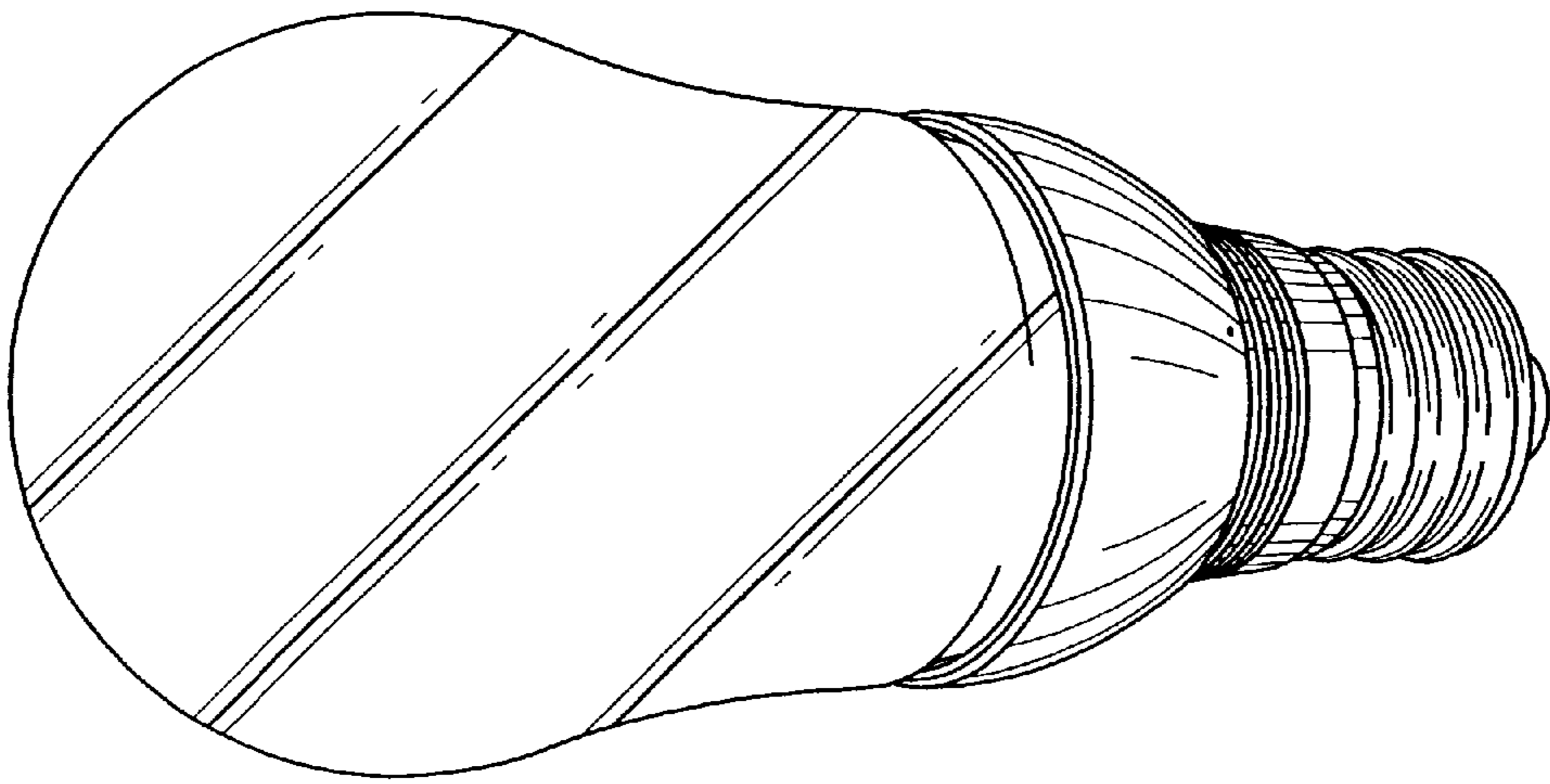


FIG. 2

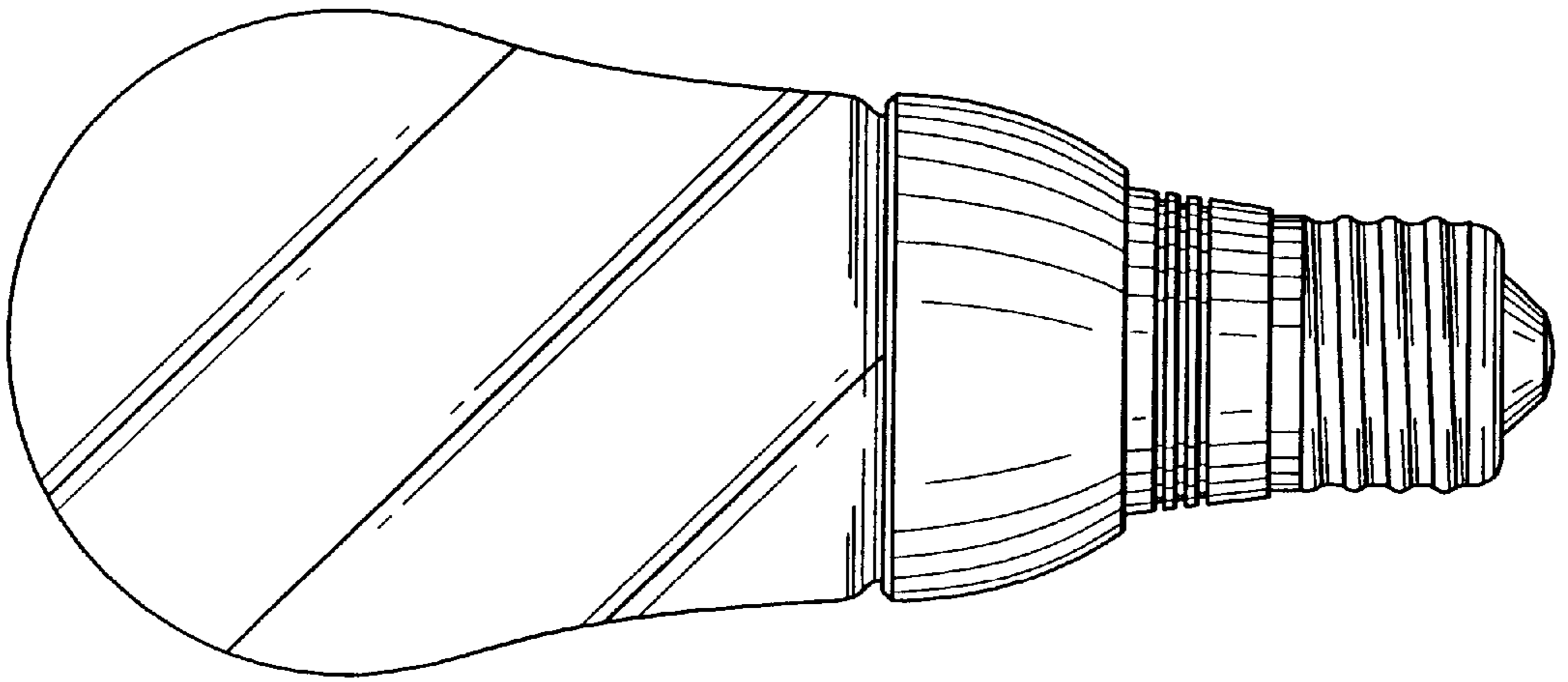
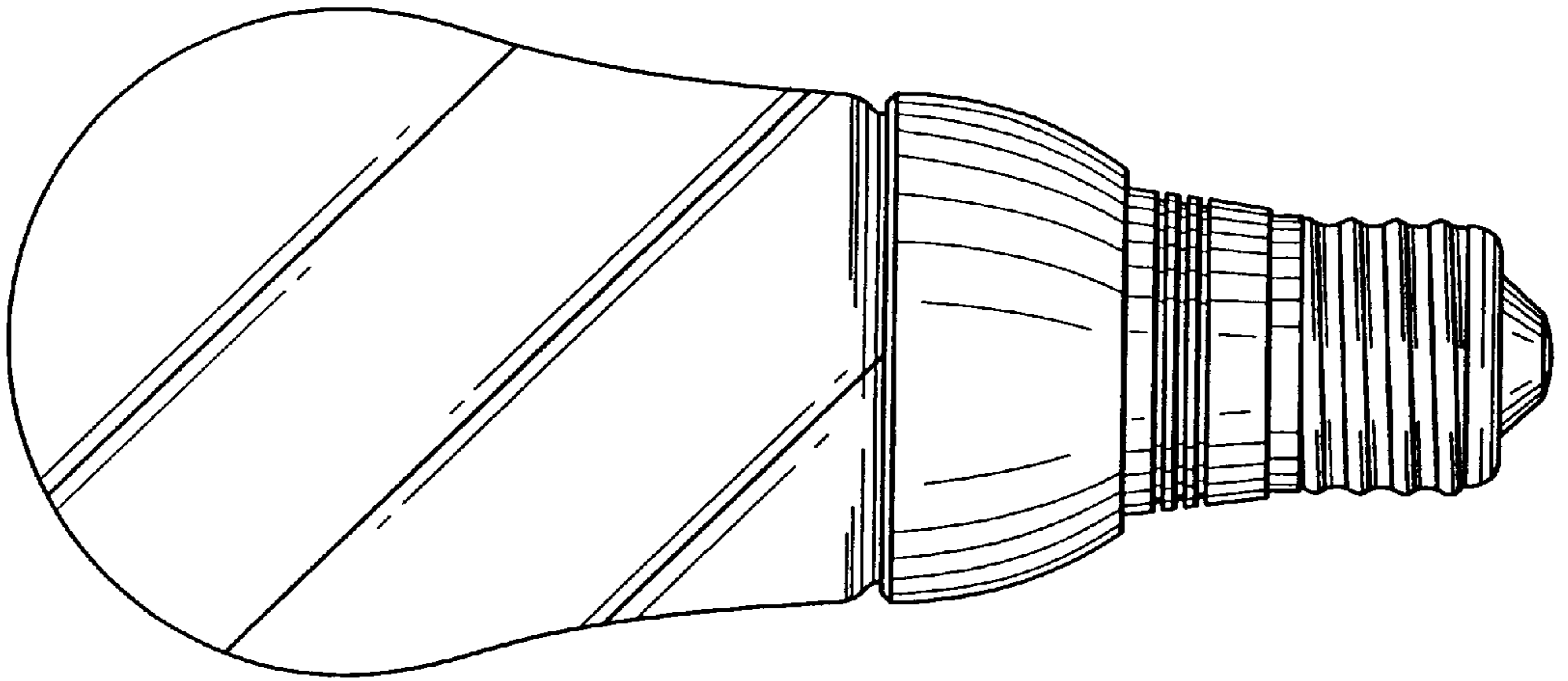
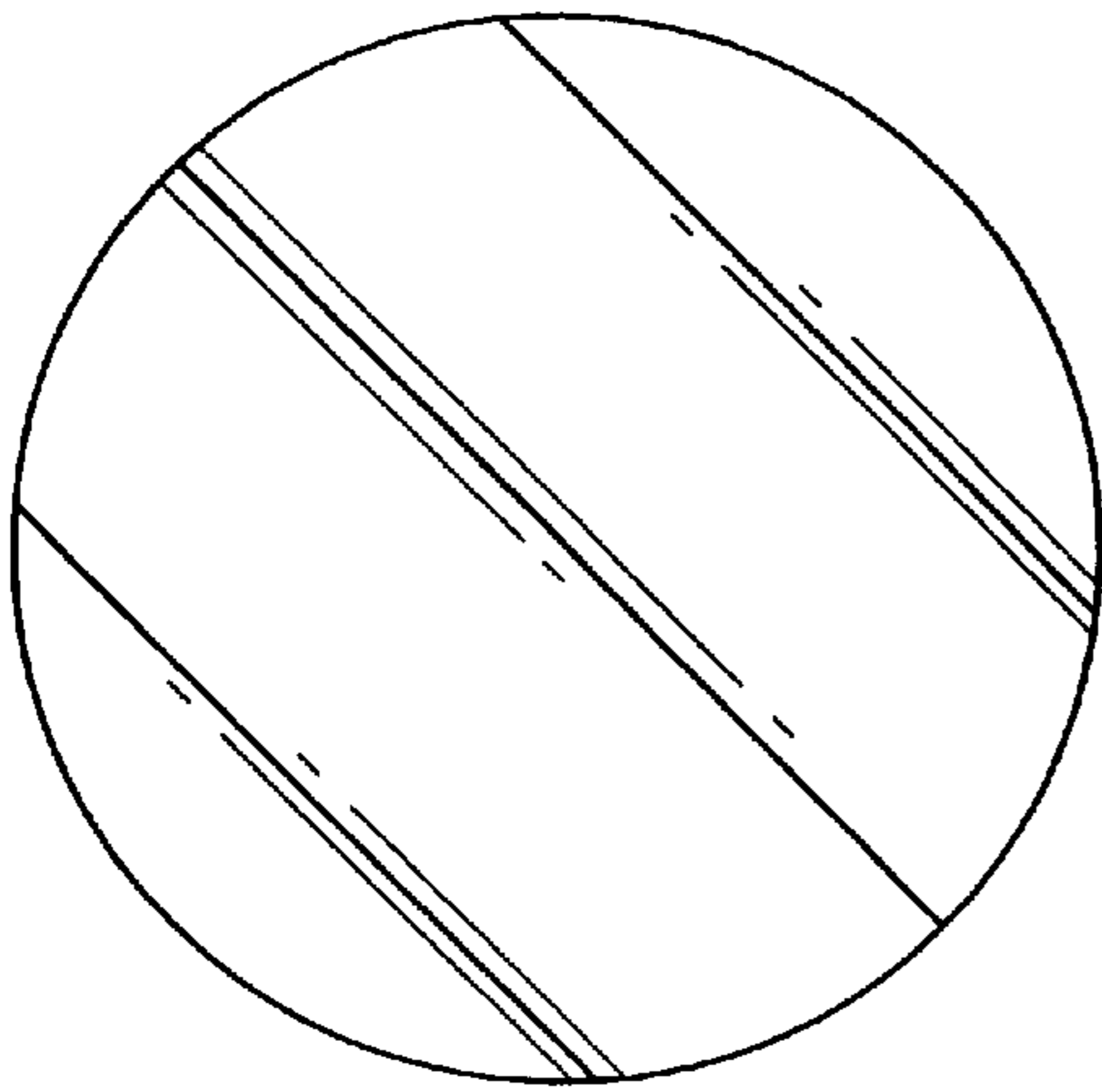


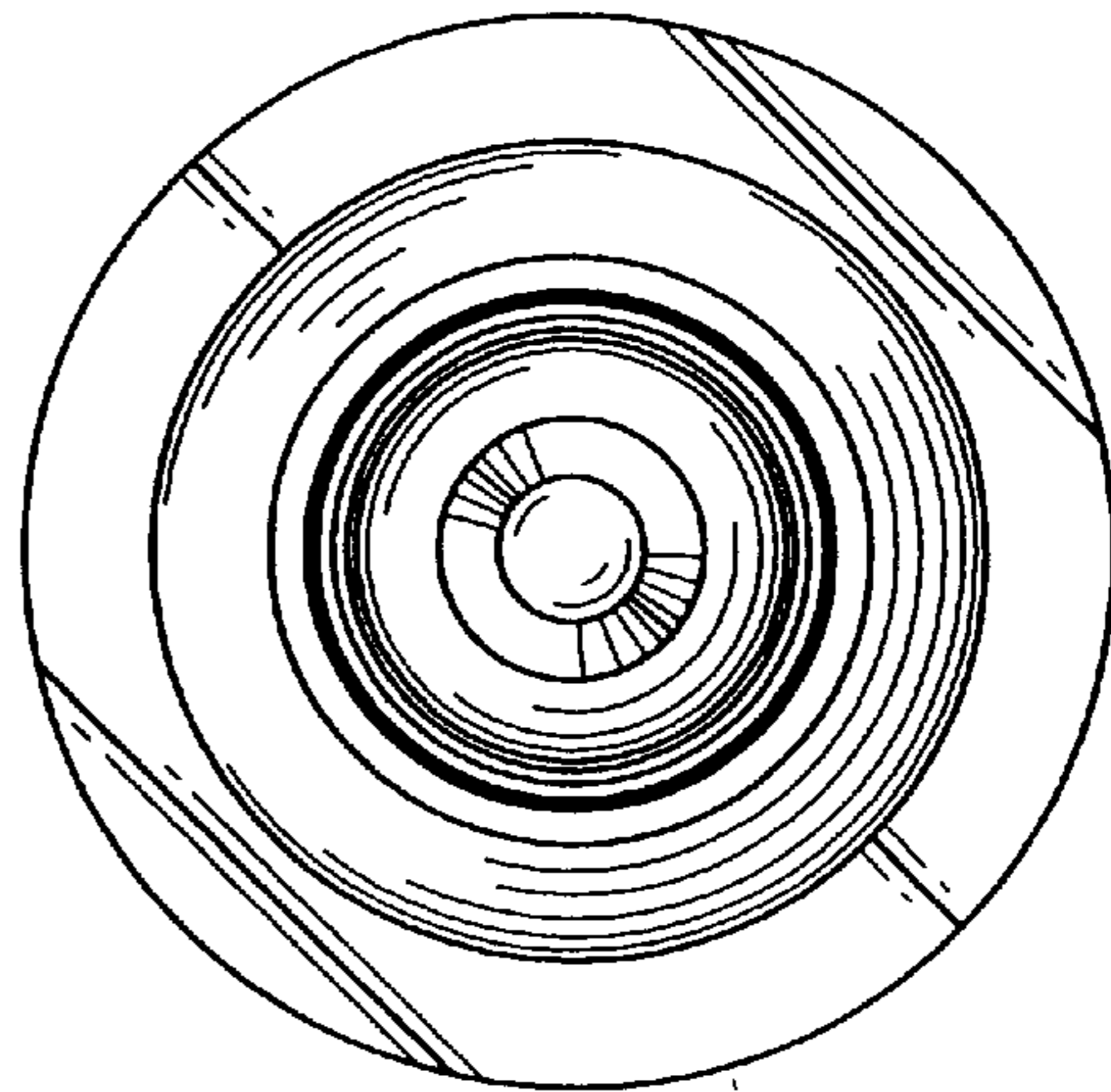
FIG. 3



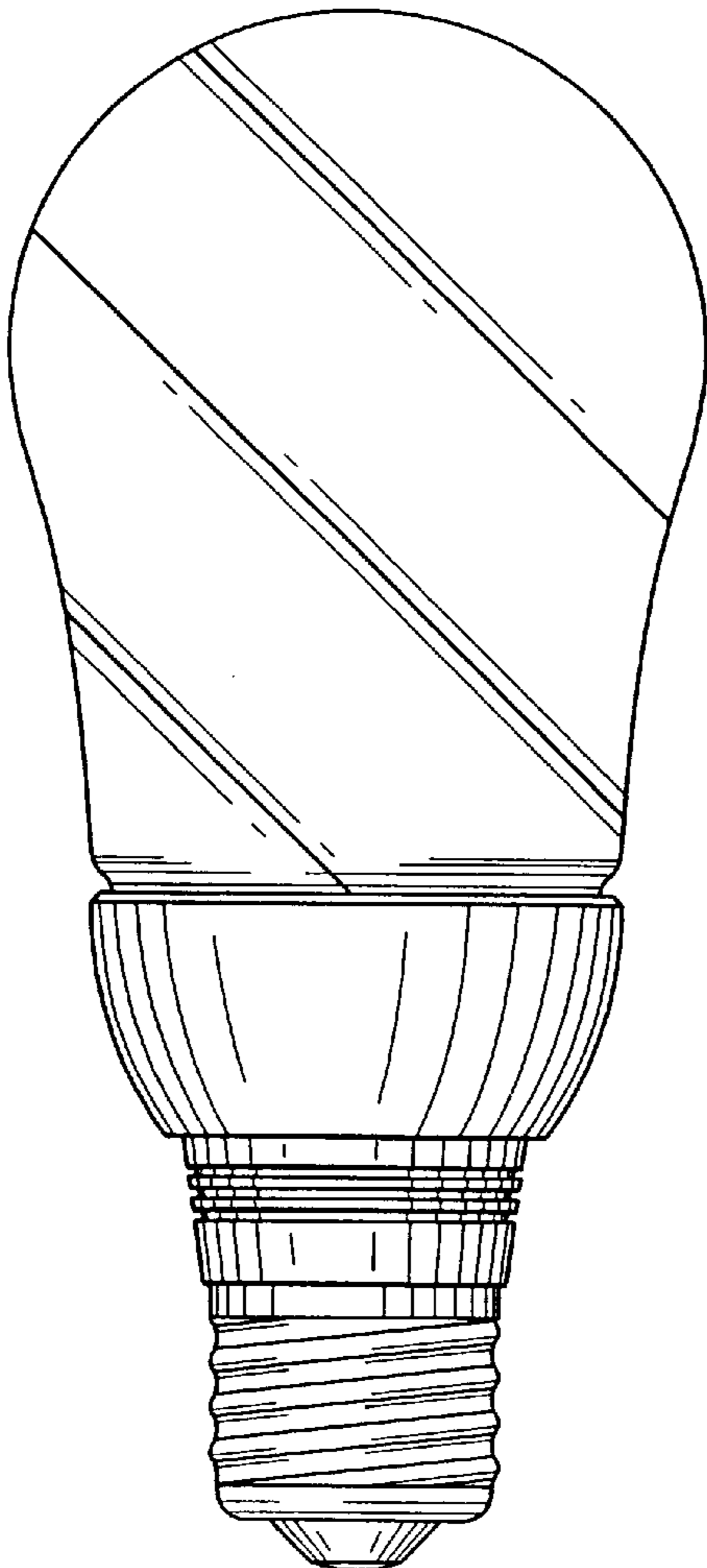
*FIG. 4*



*FIG. 5*



*FIG. 6*



*FIG. 7*

