



US00D411889S

# United States Patent [19] Risi

[11] **Patent Number: Des. 411,889**  
[45] **Date of Patent: \*\* Jul. 6, 1999**

[54] **ILLUMINATED PAVING STONE**  
[76] Inventor: **Angelo Risi**, 8500 Leslie Street, suite 390, Thornhill, Ontario, Canada, L3T 7P1  
[\*\*] Term: **14 Years**  
[21] Appl. No.: **29/084,827**  
[22] Filed: **Mar. 11, 1998**  
[30] **Foreign Application Priority Data**  
Feb. 9, 1998 [CA] Canada ..... 1998-0296  
[51] **LOC (6) Cl. .... 25-01**  
[52] **U.S. Cl. .... D25/113; D25/108; D26/74**  
[58] **Field of Search .... D25/102-103, D25/105-106, 108-110, 113-115, 118; D21/484, 486, 499-502, 504; 52/596, 604-605, 608-10; 404/33-42; 405/284-6; 362/154, 364, 375, 441, 457, 806, 153, 153.1; 250/462.1; D26/51, 67, 74**

1,314,278 8/1919 McClain, Jr. .... 404/38  
2,111,569 3/1938 Mulford ..... D25/108  
2,981,382 4/1961 Keller ..... D25/108  
3,330,049 7/1967 Mitchell et al. .... D25/108  
4,466,050 8/1984 Lockard ..... 362/375  
4,931,614 6/1990 Quiogue ..... 362/151.1  
5,678,920 10/1997 Kerr ..... 362/153  
5,681,105 10/1997 Nau ..... 362/153

### FOREIGN PATENT DOCUMENTS

546489 4/1956 Belgium ..... D25/113  
2148510 6/1990 Japan ..... 362/154

*Primary Examiner*—Louis S. Zarfes  
*Assistant Examiner*—Robert Delehanty  
*Attorney, Agent, or Firm*—ROBIC

### [57] CLAIM

The ornamental design for an illuminated paving stone, as shown and described.

### DESCRIPTION

FIG. 1 is a perspective view of an illuminated paving stone showing my new design;  
FIG. 2 is a top plan view thereof;  
FIG. 3 is a rear elevational view thereof;  
FIG. 4 is a front elevational view thereof;  
FIG. 5 is a side elevational view thereof; and,  
FIG. 6 is a bottom plan view thereof.

**1 Claim, 3 Drawing Sheets**

[56] **References Cited**  
**U.S. PATENT DOCUMENTS**  
D. 221,583 8/1971 Donato ..... D26/67  
D. 275,970 10/1984 Bowers ..... D26/67  
D. 360,270 7/1995 Shemitz ..... D26/74  
D. 400,281 10/1998 Kerr ..... D26/74

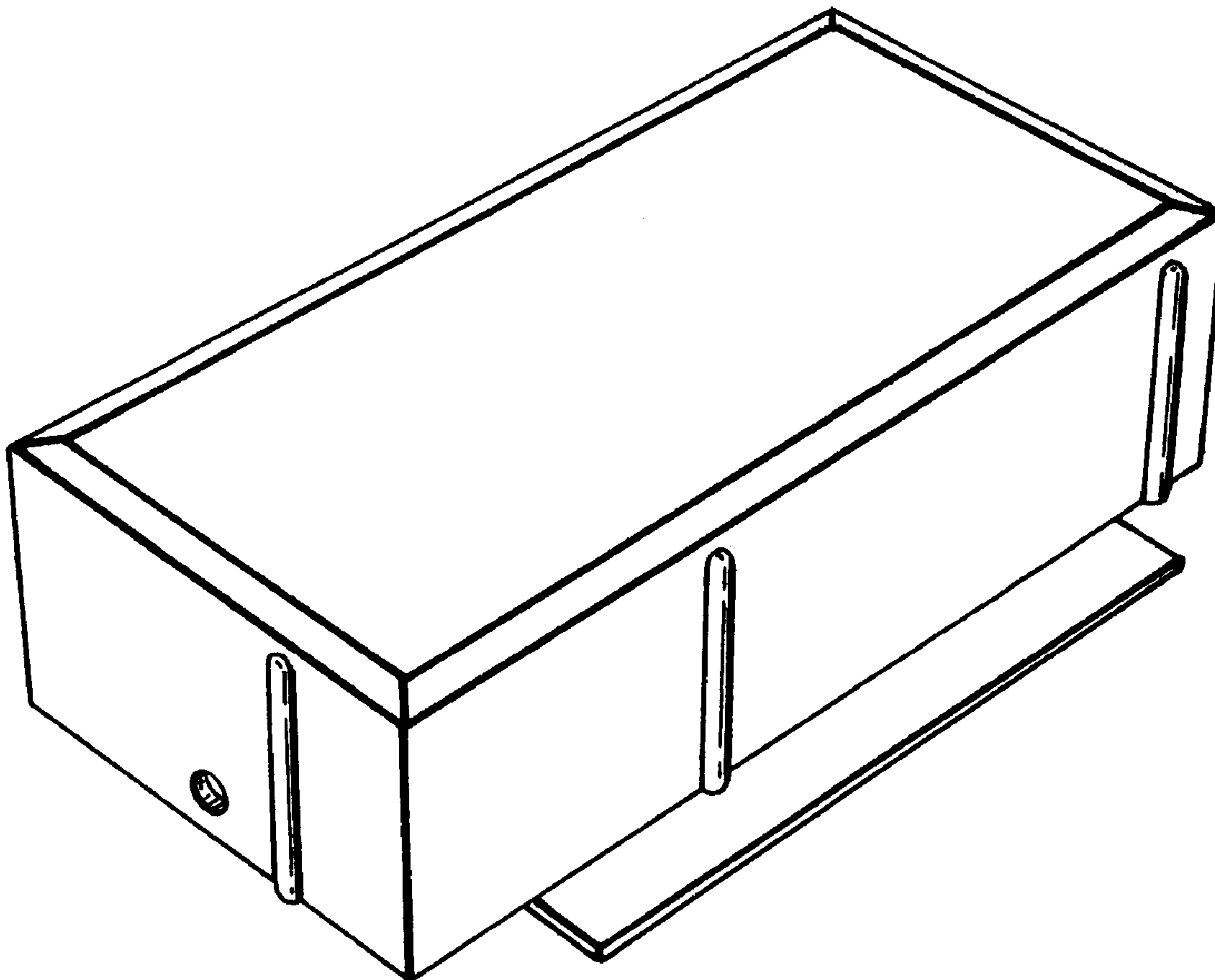


FIG. 1

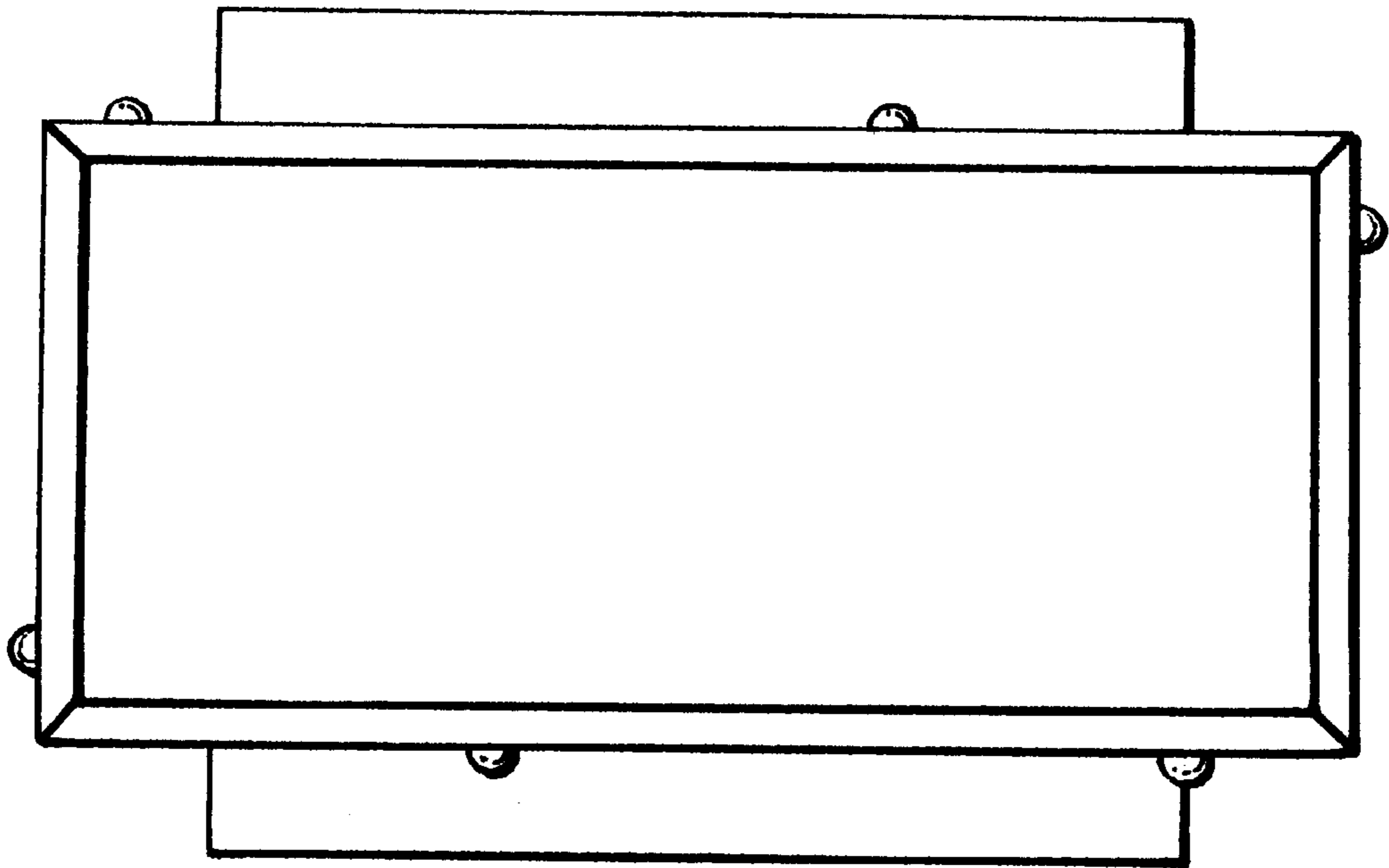
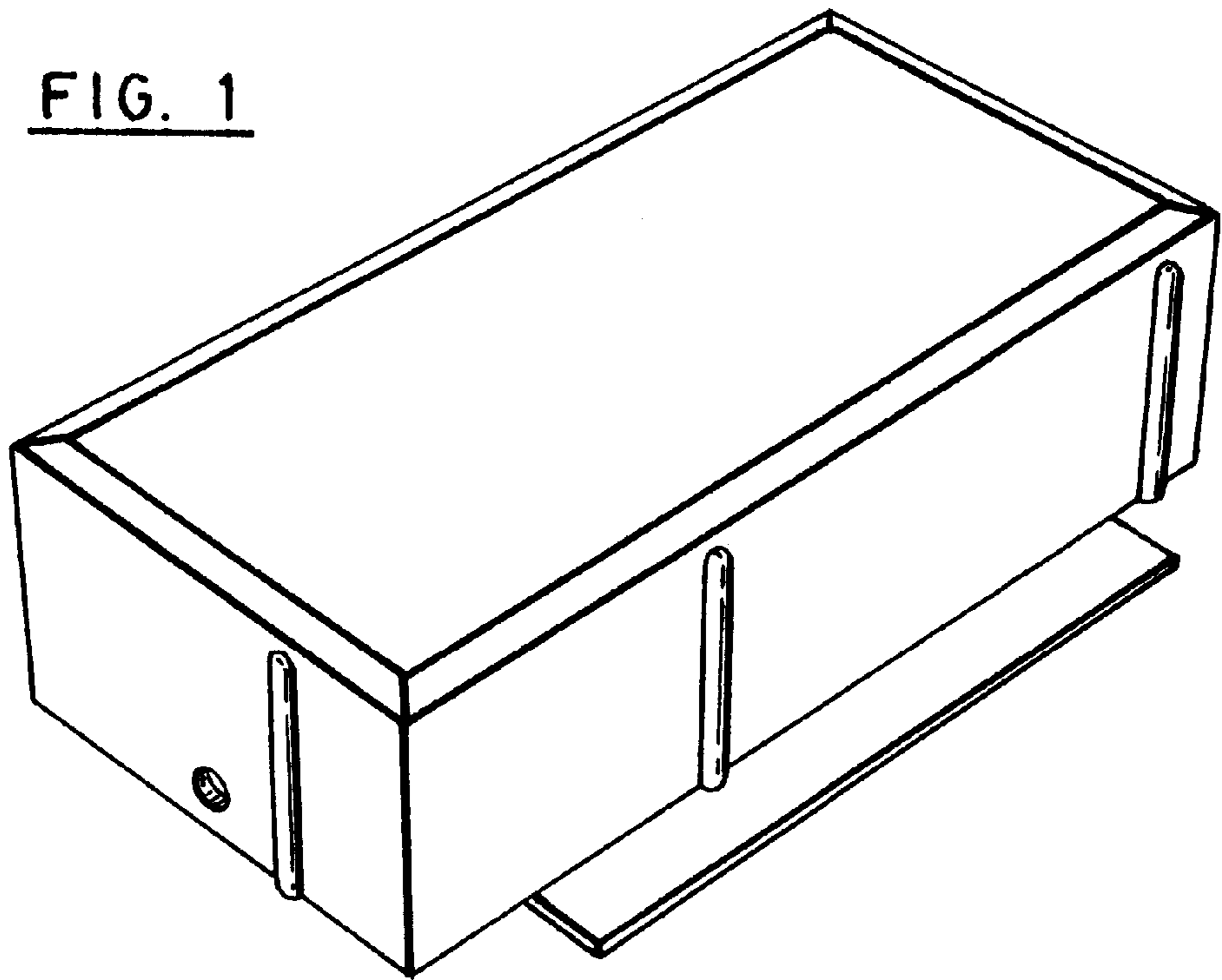


FIG. 2

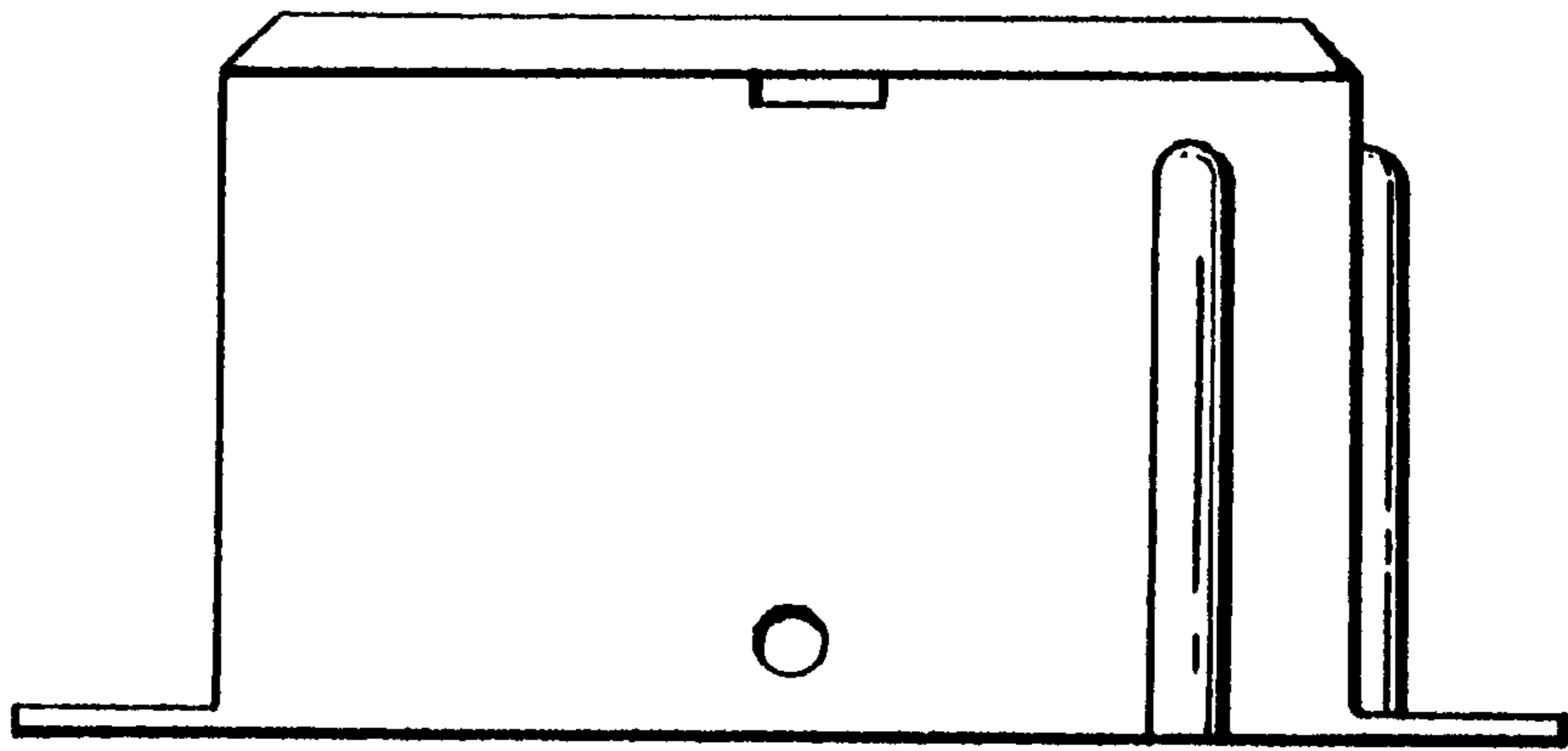


FIG. 3

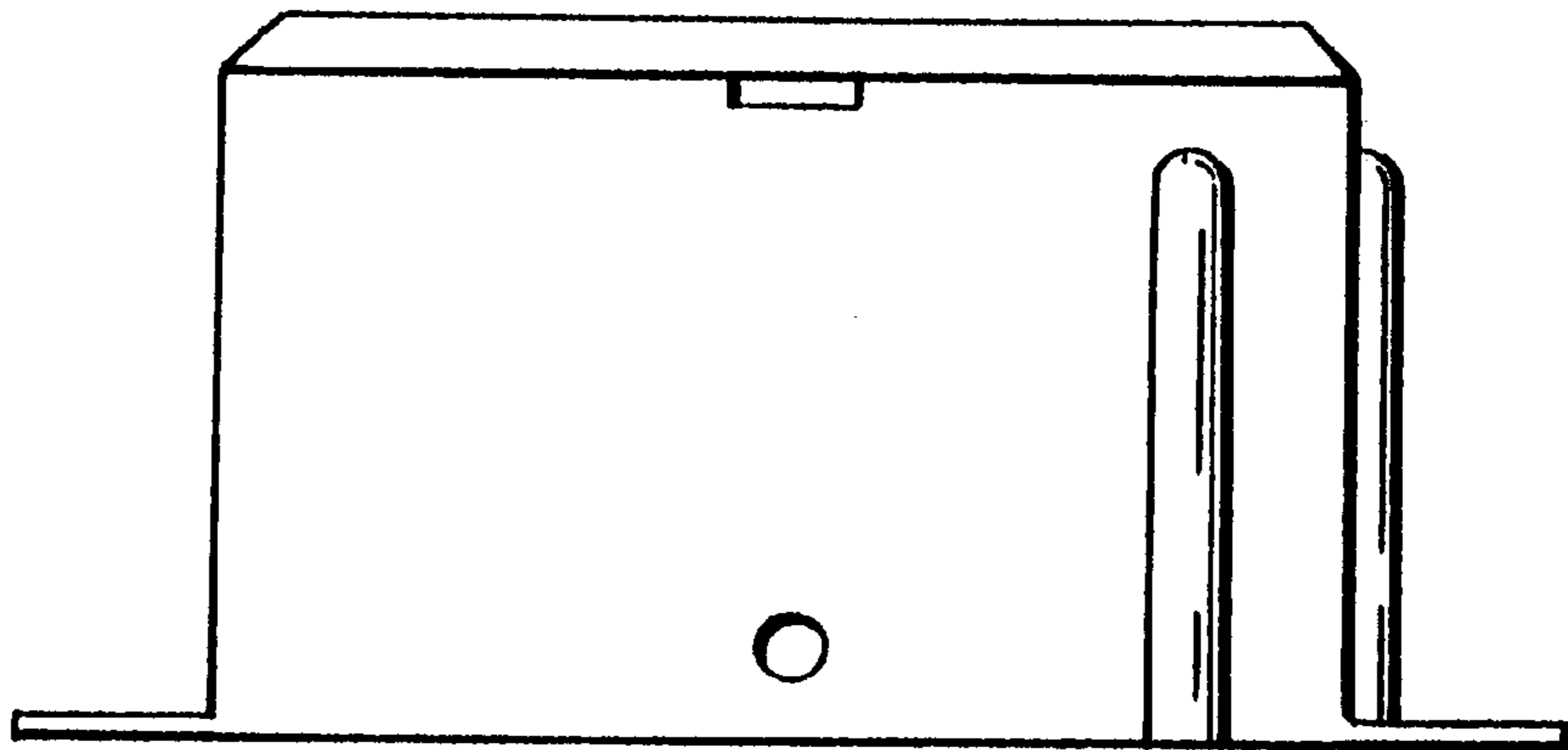


FIG. 4

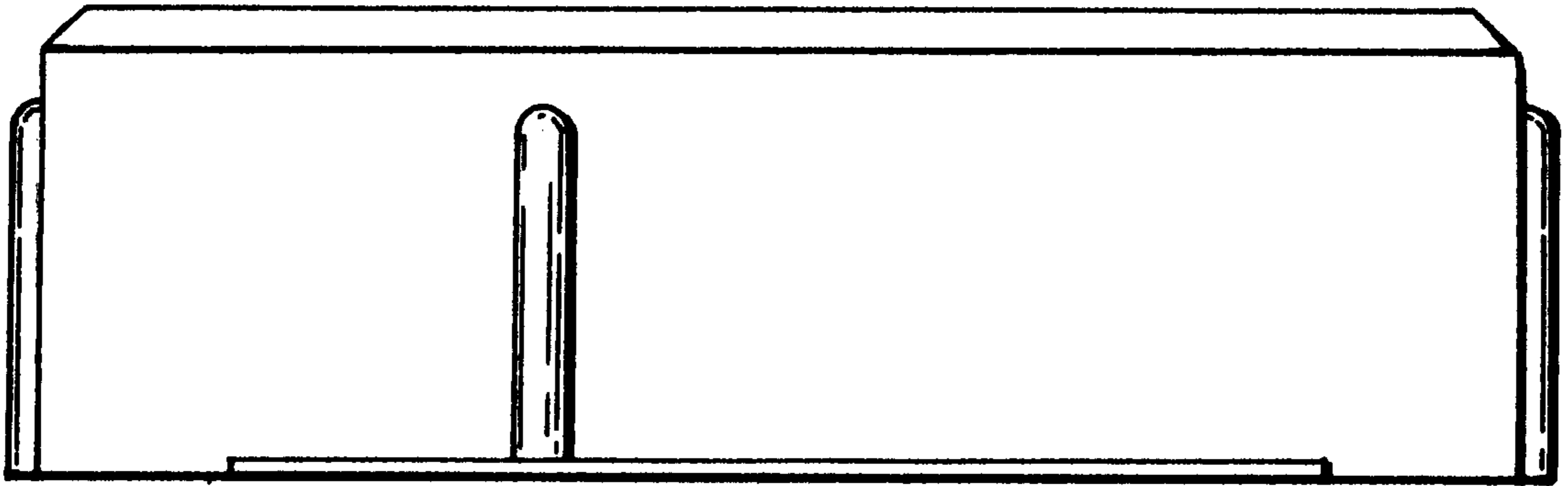


FIG. 5

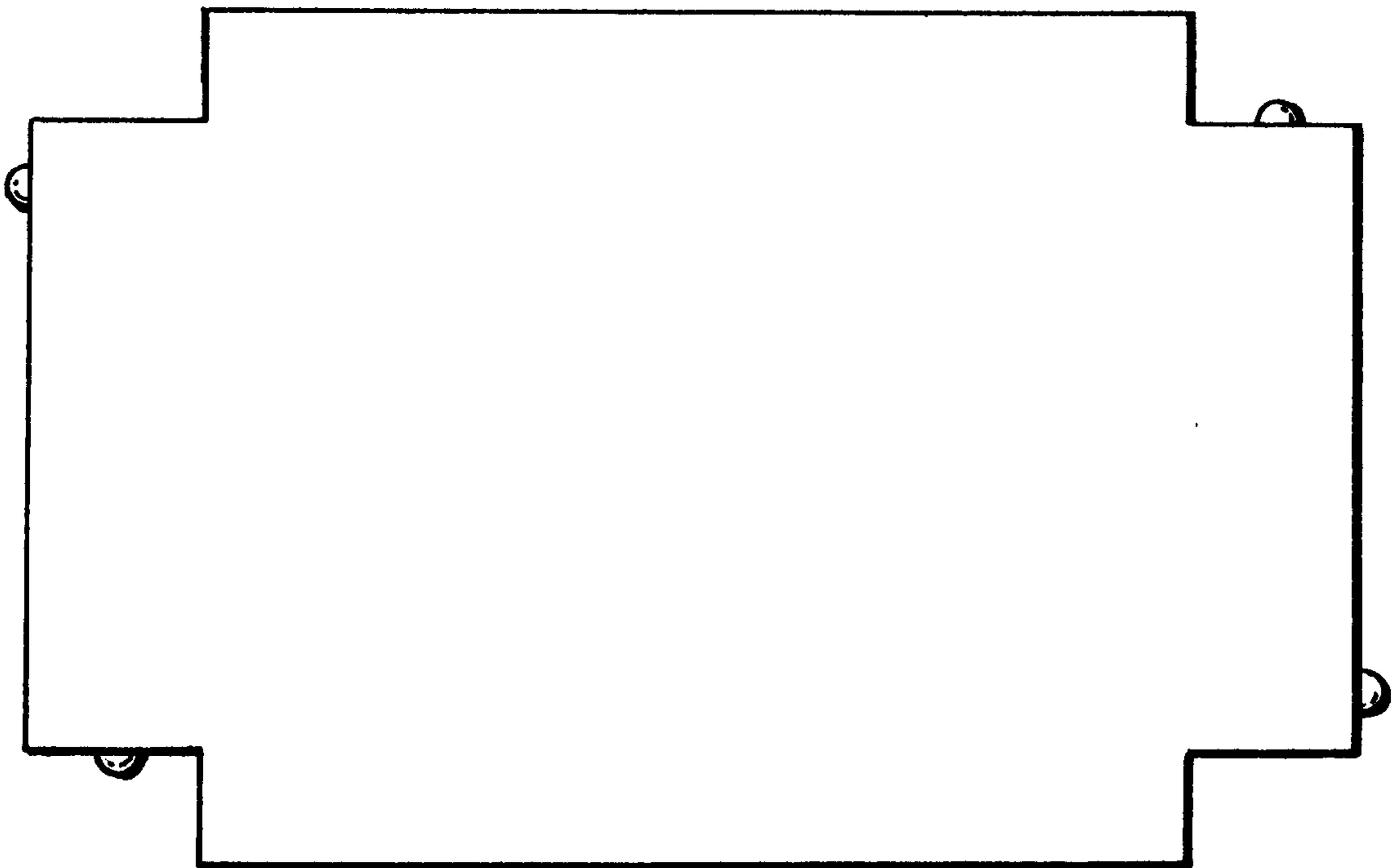


FIG. 6