



US00D411888S

United States Patent [19] King

[11] Patent Number: Des. 411,888

[45] Date of Patent: ** Jul. 6, 1999

[54] STEP STOOL

[75] Inventor: Raymond P. King, Columbus, Ind.

[73] Assignee: Cosco, Inc., Columbus, Ind.

[**] Term: 14 Years

[21] Appl. No.: 29/081,087

[22] Filed: Nov. 26, 1997

Related U.S. Application Data

[63] Continuation of application No. 29/071,416, May 29, 1997, abandoned.

[51] LOC (6) Cl. 25-04

[52] U.S. Cl. D25/65

[58] Field of Search D25/62, 65; 182/26, 182/33, 33.2

[56] References Cited

U.S. PATENT DOCUMENTS

D. 288,719 3/1987 Feist D25/65
4,440,264 4/1984 Knoke et al. 182/33

OTHER PUBLICATIONS

Cosco 1995 Home Furnishings Catalog, pp. 2-5.

Primary Examiner—Doris Clark

Attorney, Agent, or Firm—Barnes & Thornburg

[57] CLAIM

The ornamental design for a step stool, as shown and described.

DESCRIPTION

FIG. 1 is a perspective view of a step stool showing a first embodiment of my new design;

FIG. 2 is a front elevational view thereof;

FIG. 3 is a rear elevational view thereof;

FIG. 4 is a right-side elevational view thereof, with the left-side elevational view thereof being substantially similar;

FIG. 5 is a top plan view thereof;

FIG. 6 is a bottom view thereof;

FIG. 7 is a perspective view of a step stool showing a second embodiment in accordance with my new design;

FIG. 8 is a front elevational view thereof;

FIG. 9 is a top plan view thereof;

FIG. 10 is a rear elevational view thereof;

FIG. 11 is a right-side elevational view thereof, with the left-side elevational view thereof being substantially similar;

FIG. 12 is a bottom view thereof;

FIG. 13 is a perspective view of a step stool showing a third embodiment of my new design;

FIG. 14 is a front elevational view thereof;

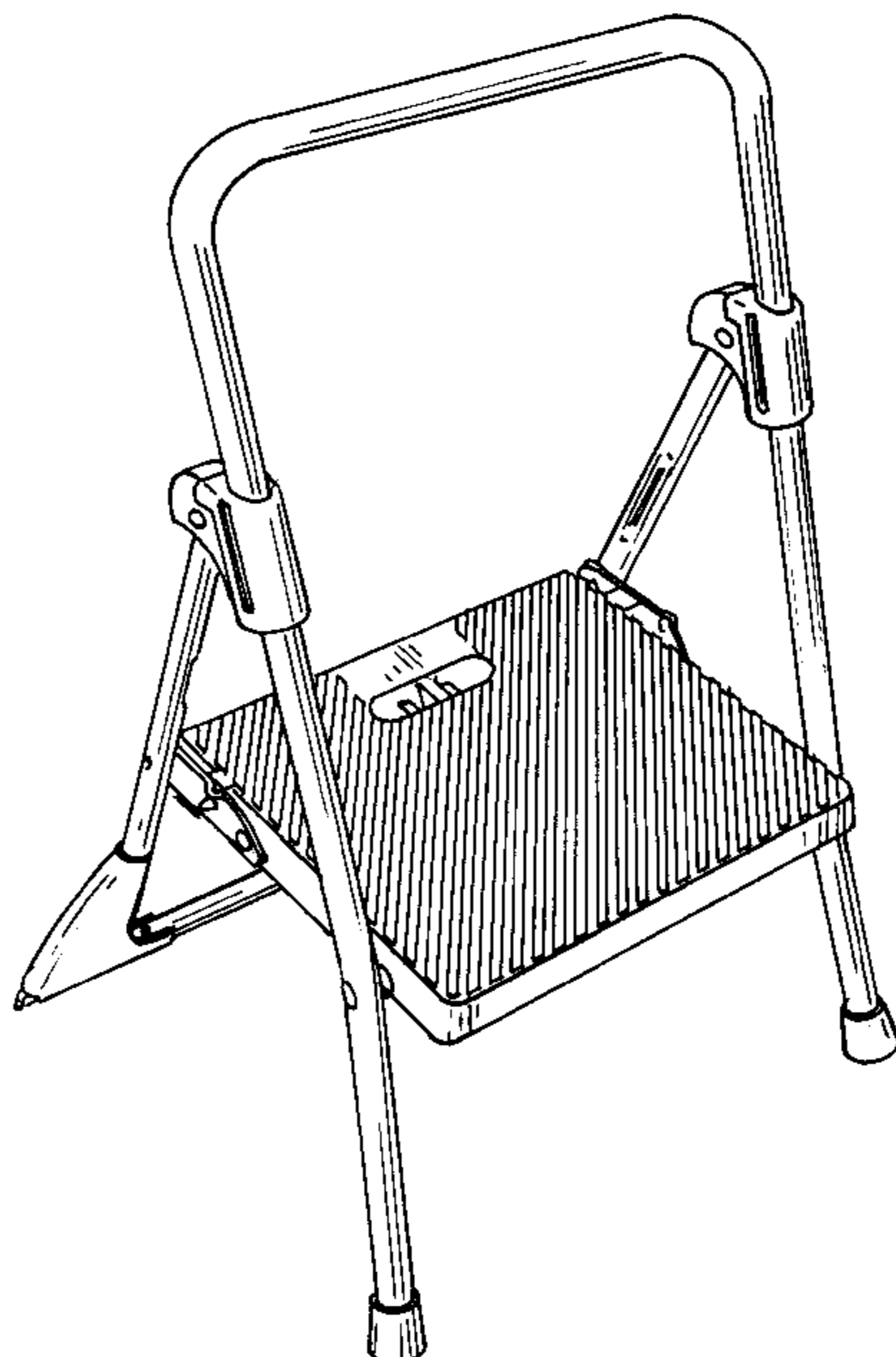
FIG. 15 is a top plan view thereof;

FIG. 16 is a rear elevational view thereof;

FIG. 17 is a right-side elevational view thereof, with the left-side elevational view thereof being substantially similar; and,

FIG. 18 is a bottom view thereof.

1 Claim, 6 Drawing Sheets



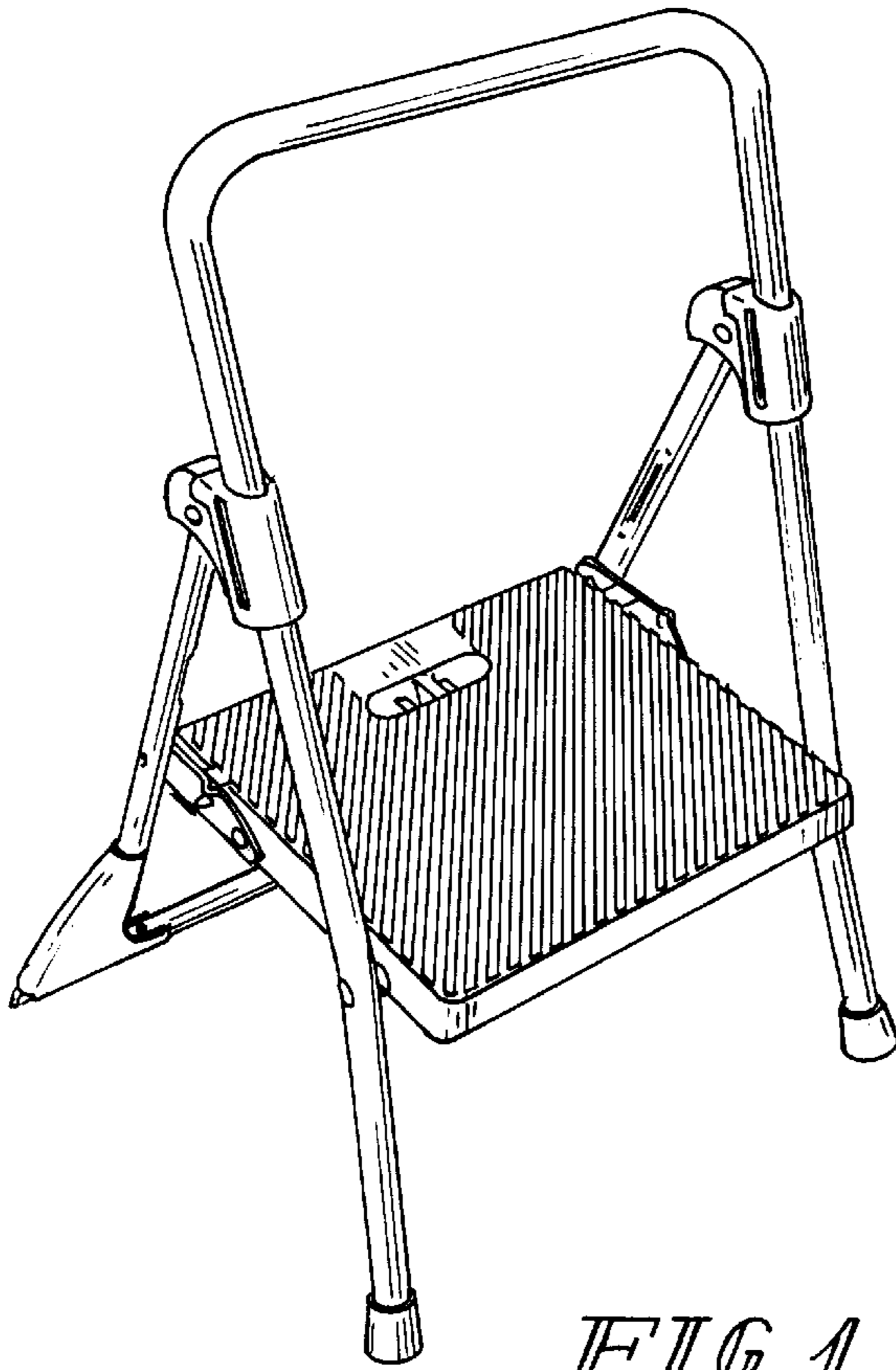


FIG. 1

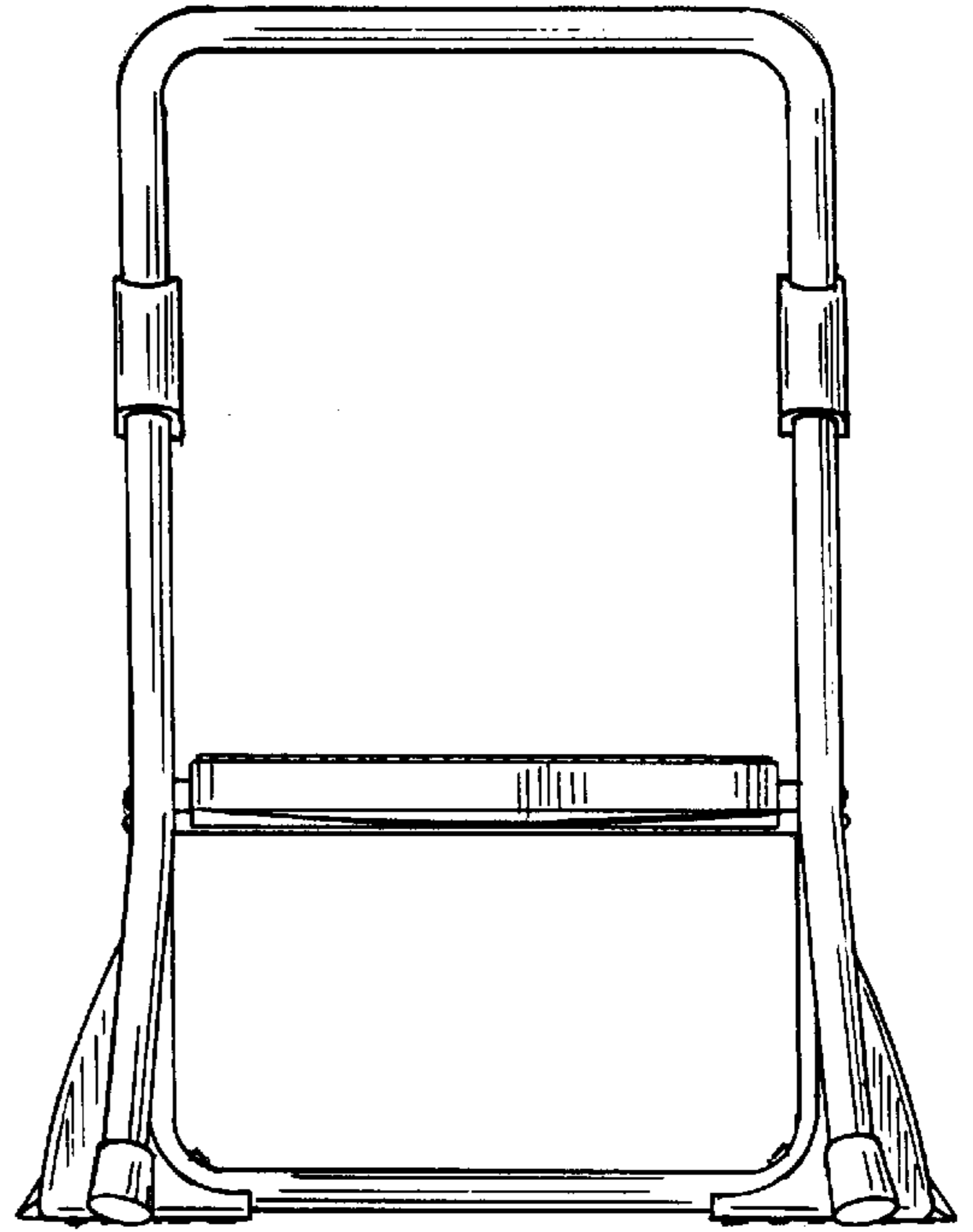


FIG. 2

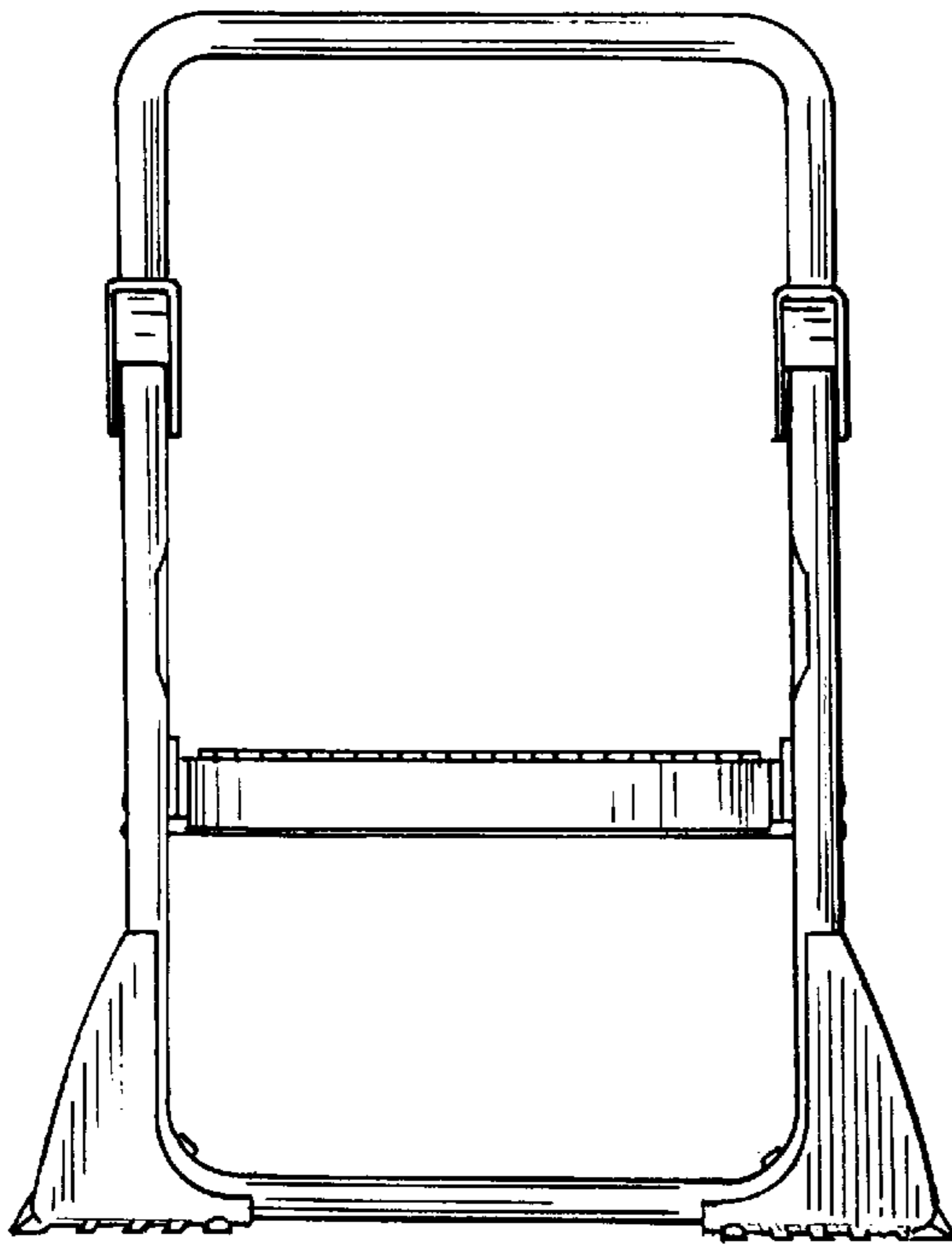


FIG. 3

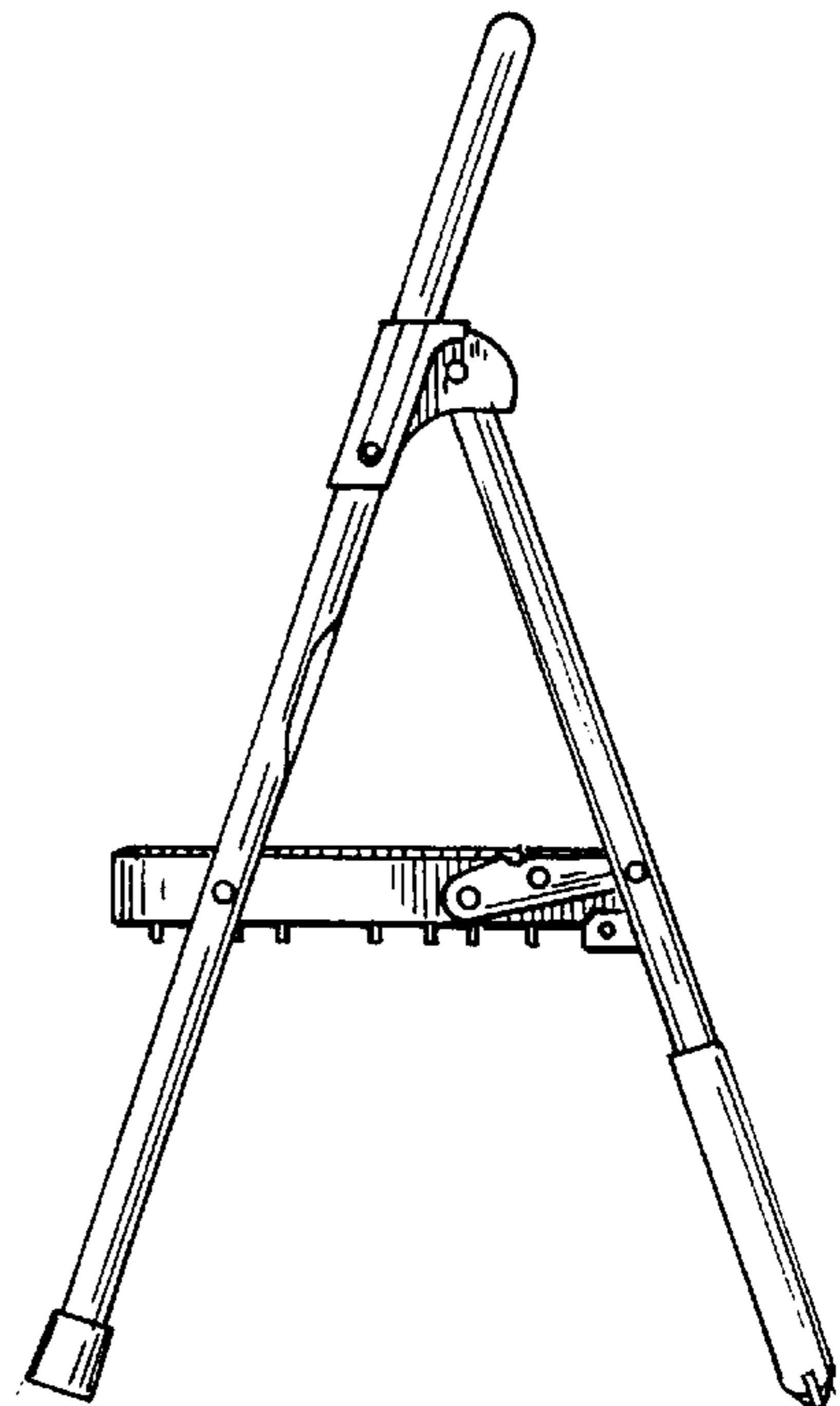


FIG. 4

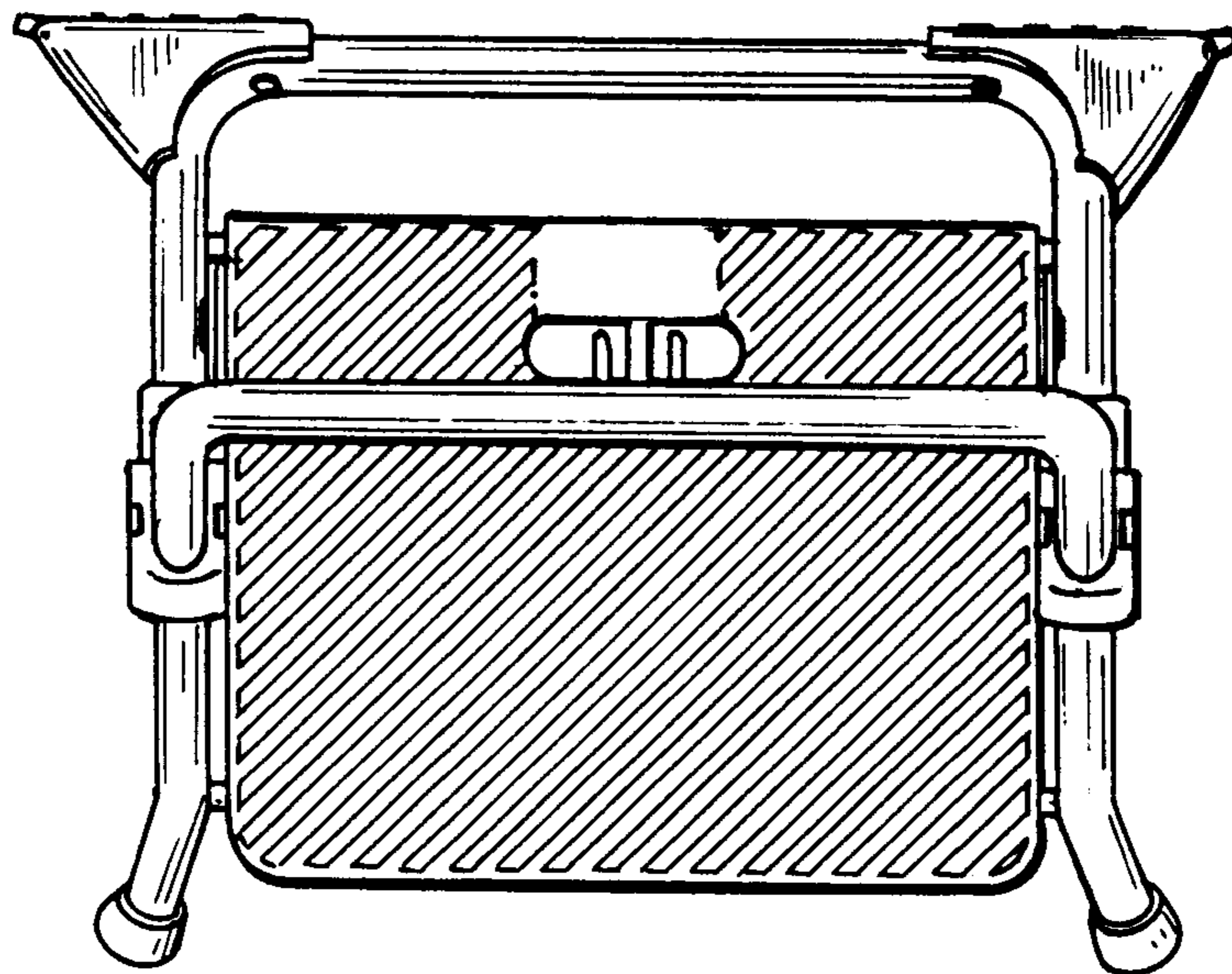


FIG. 5

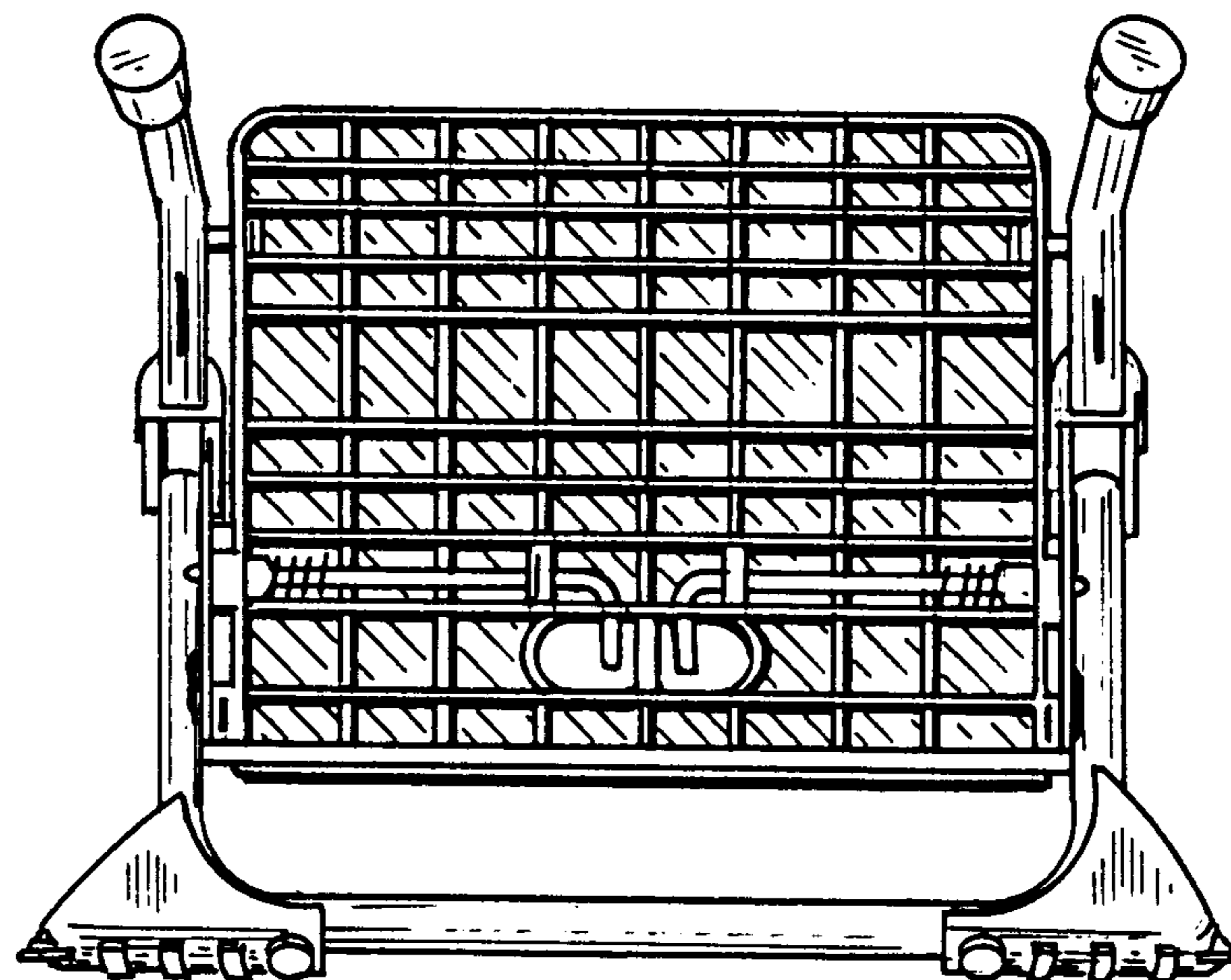


FIG. 6

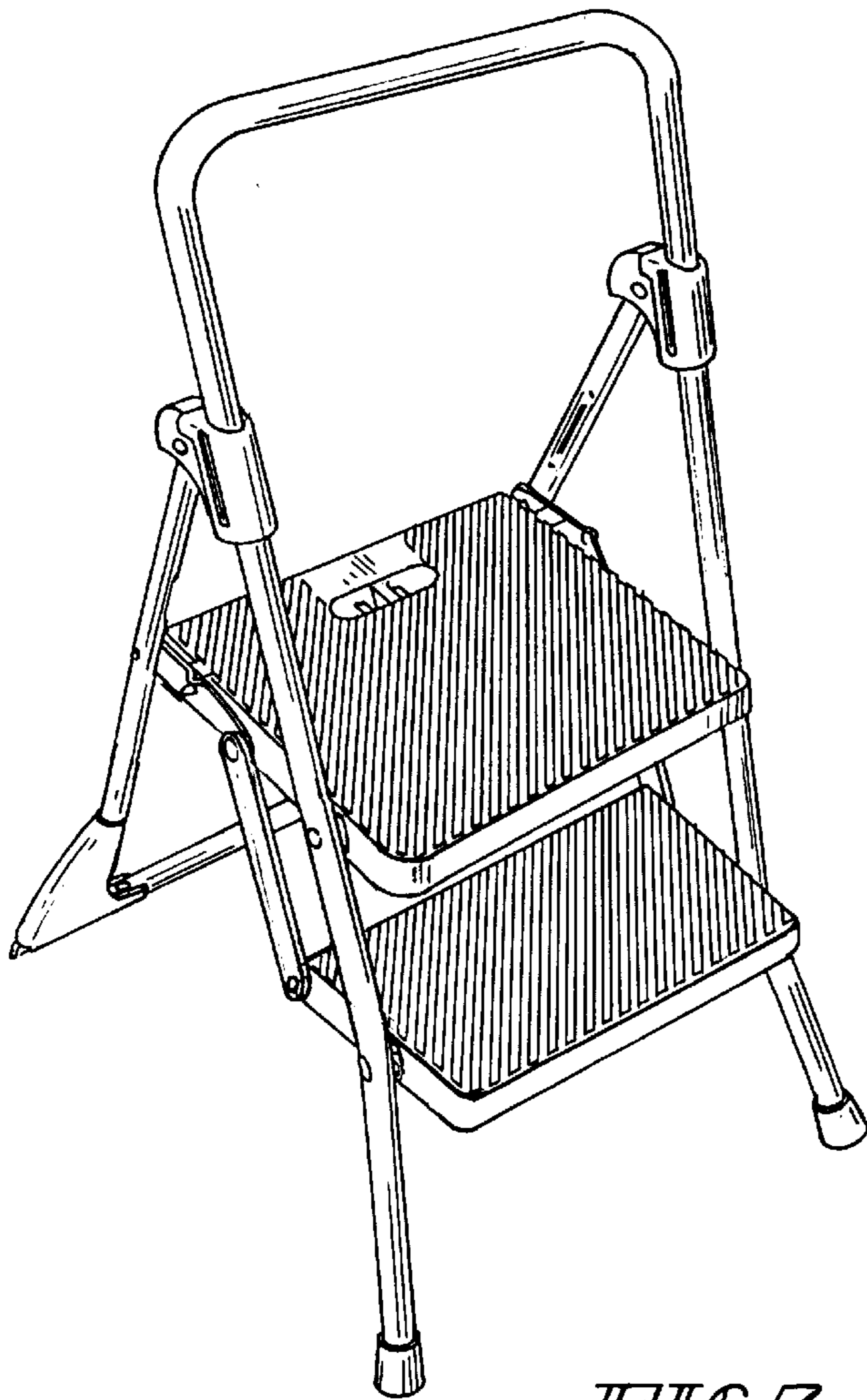


FIG. 7

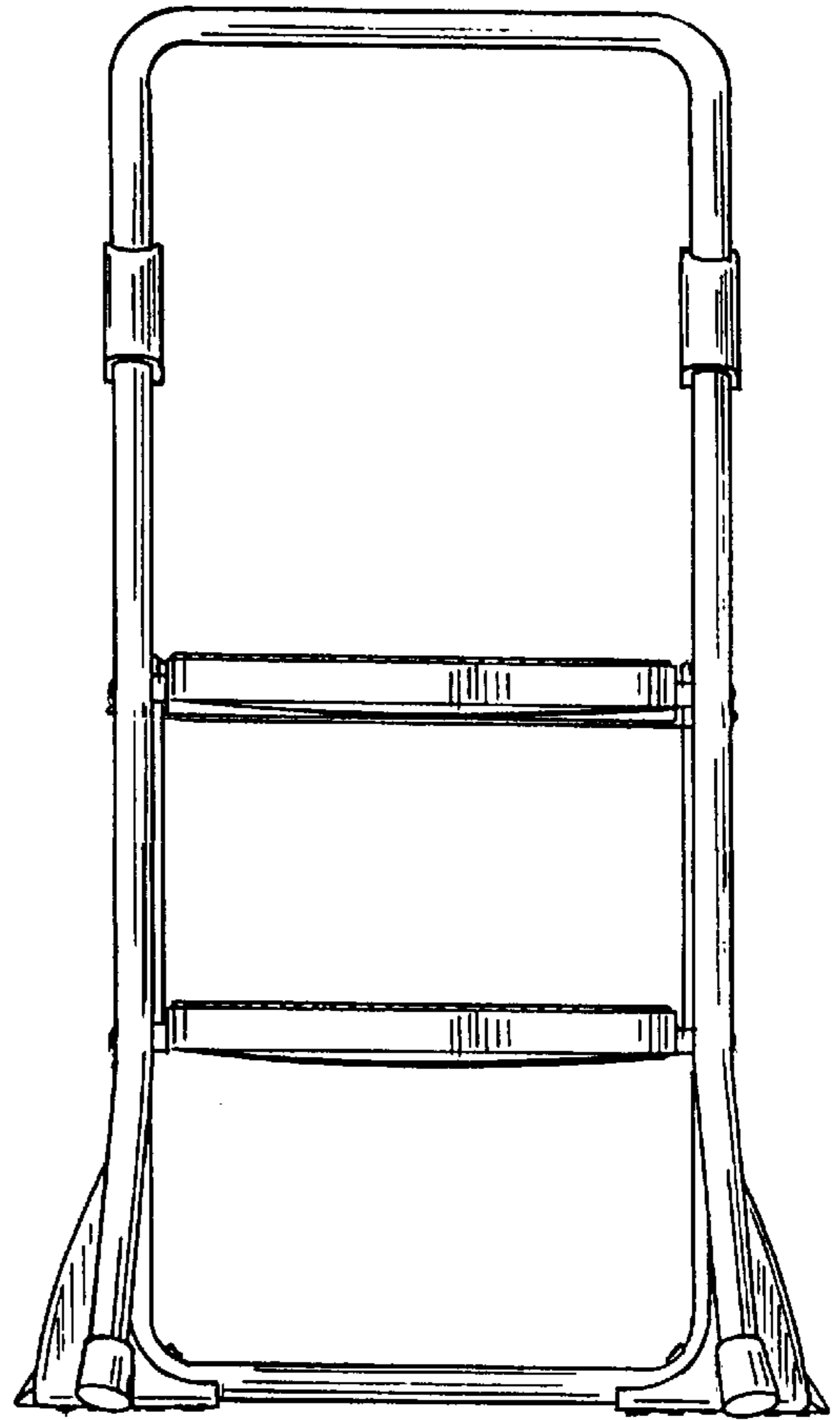


FIG. 8

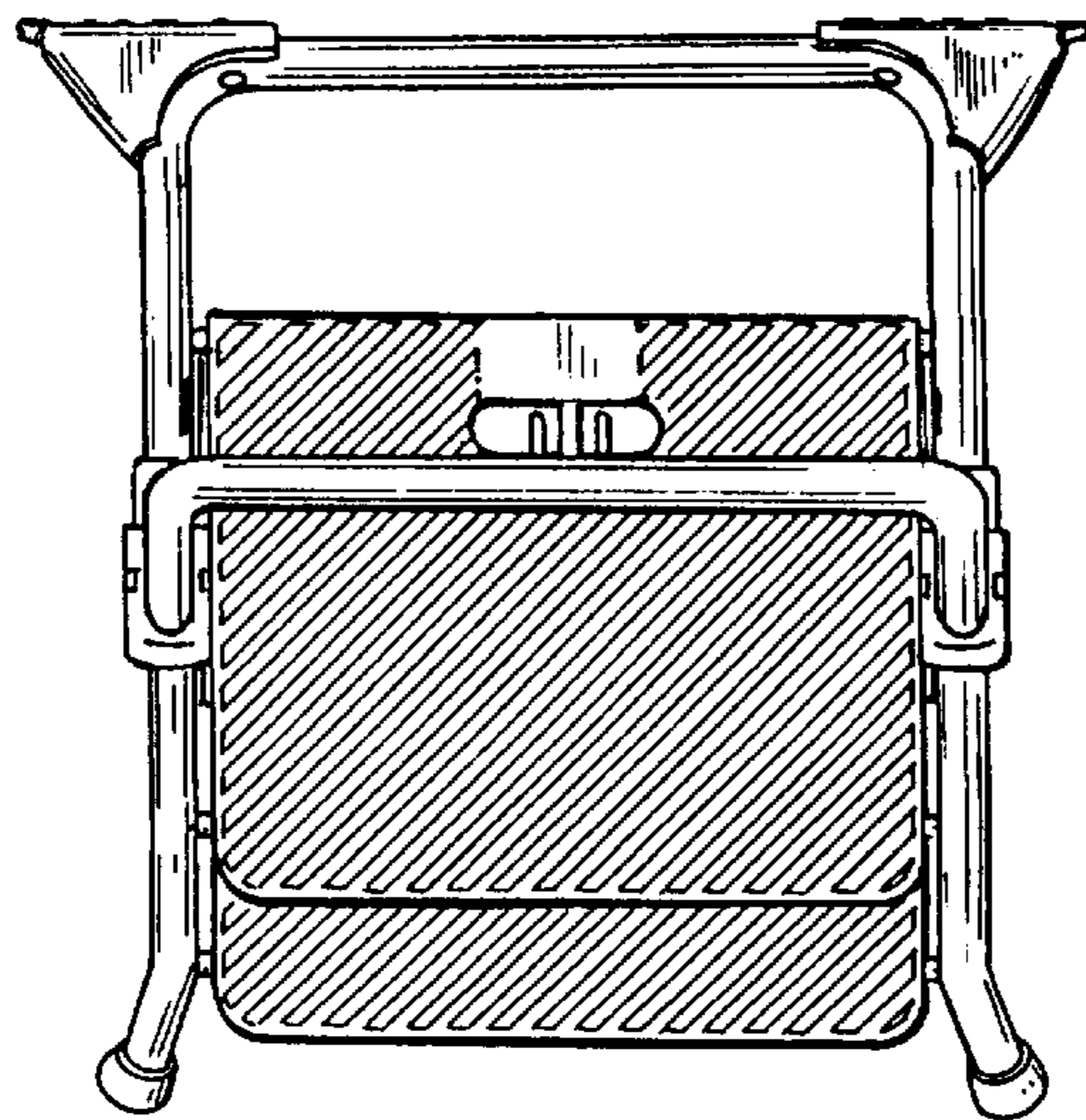


FIG. 9

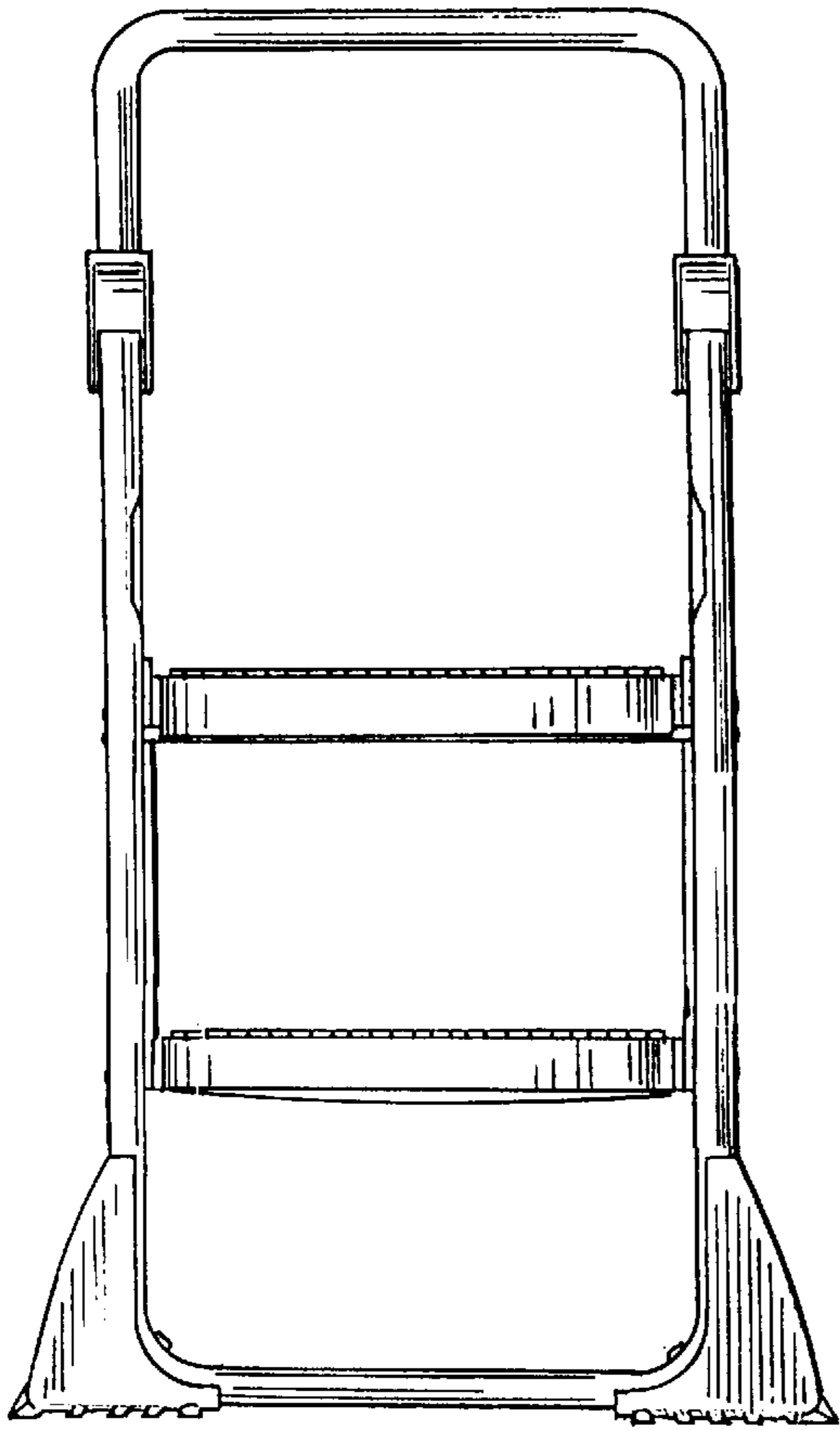


FIG. 10

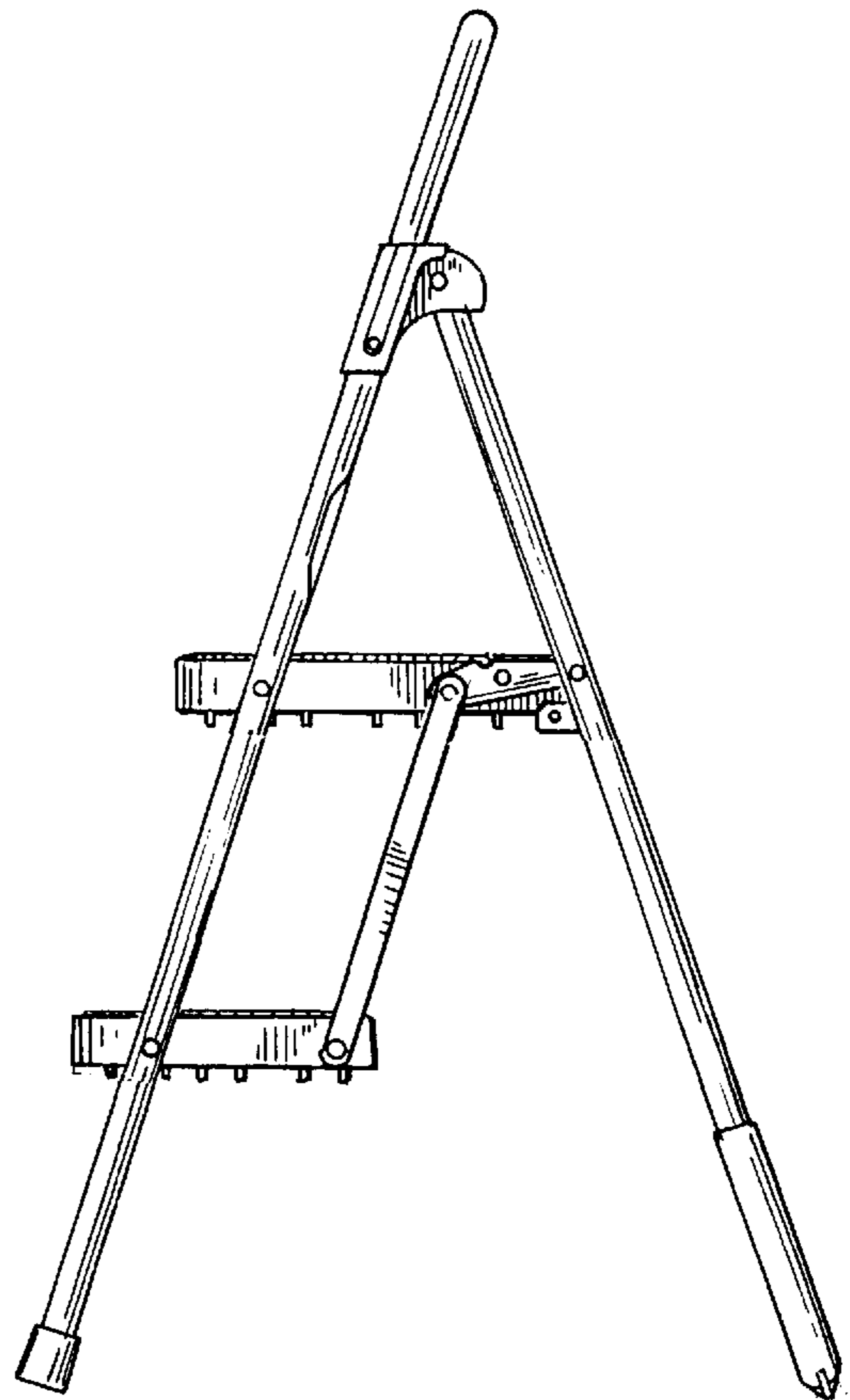


FIG. 11

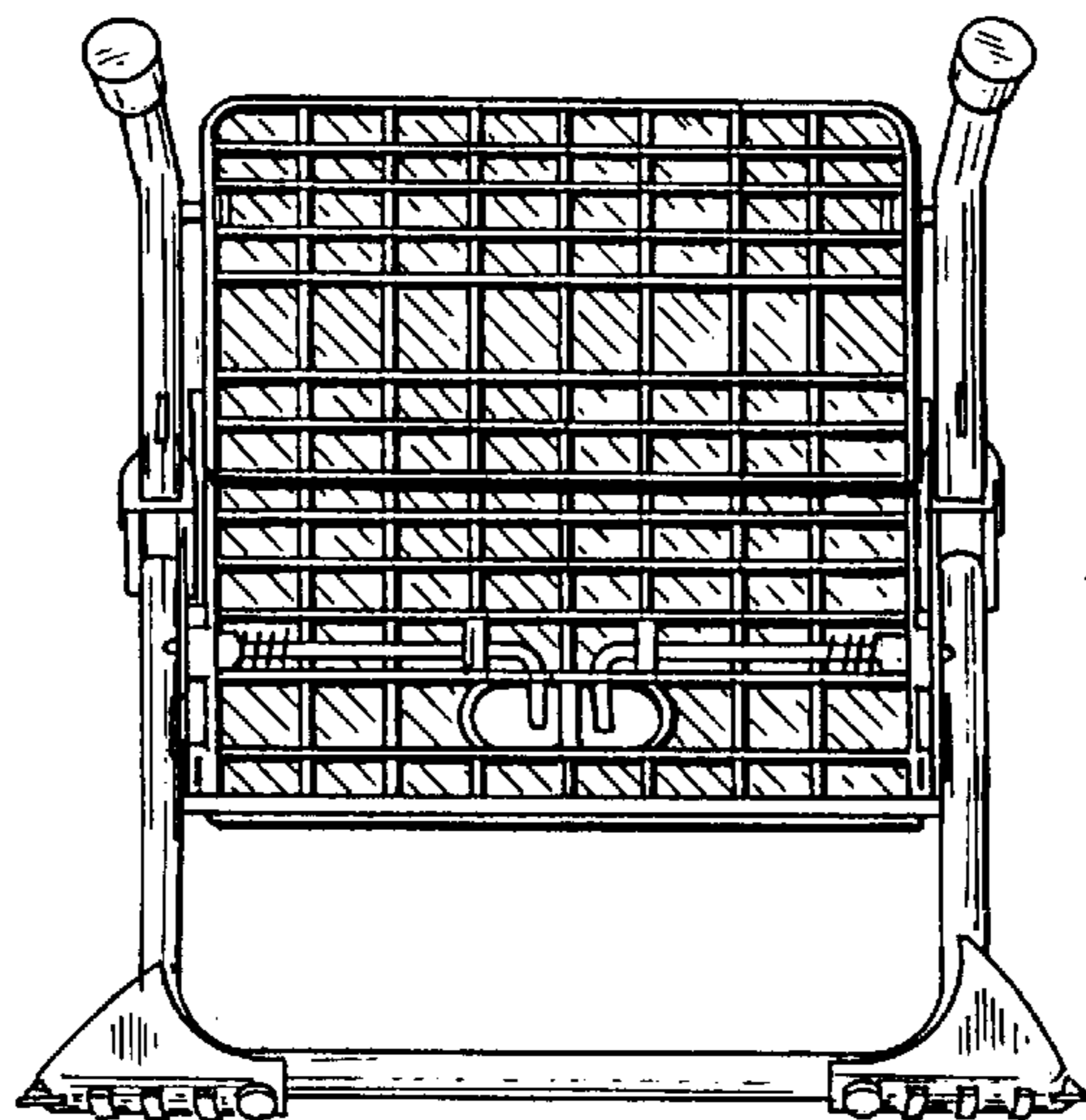


FIG. 12

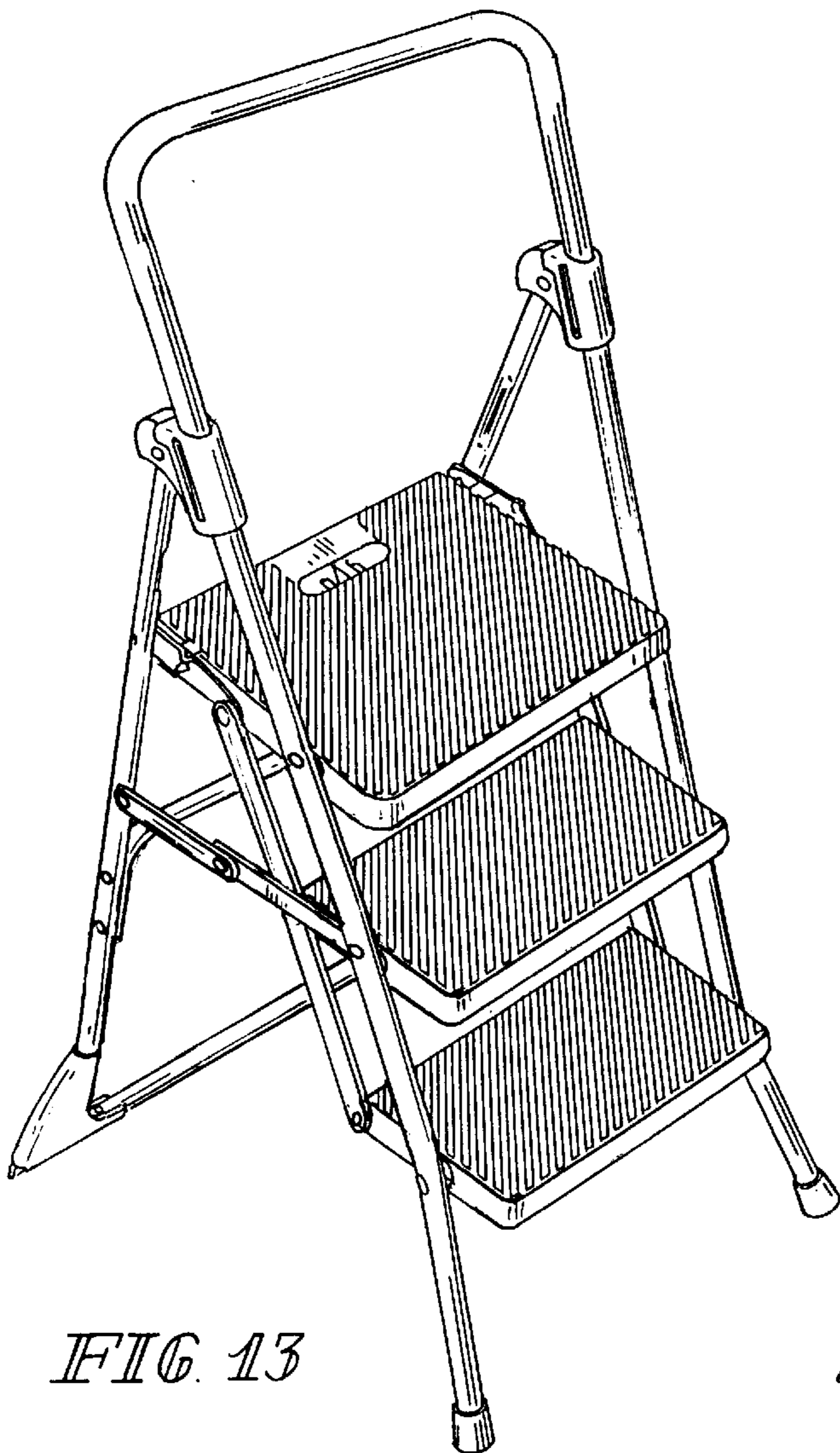


FIG. 13

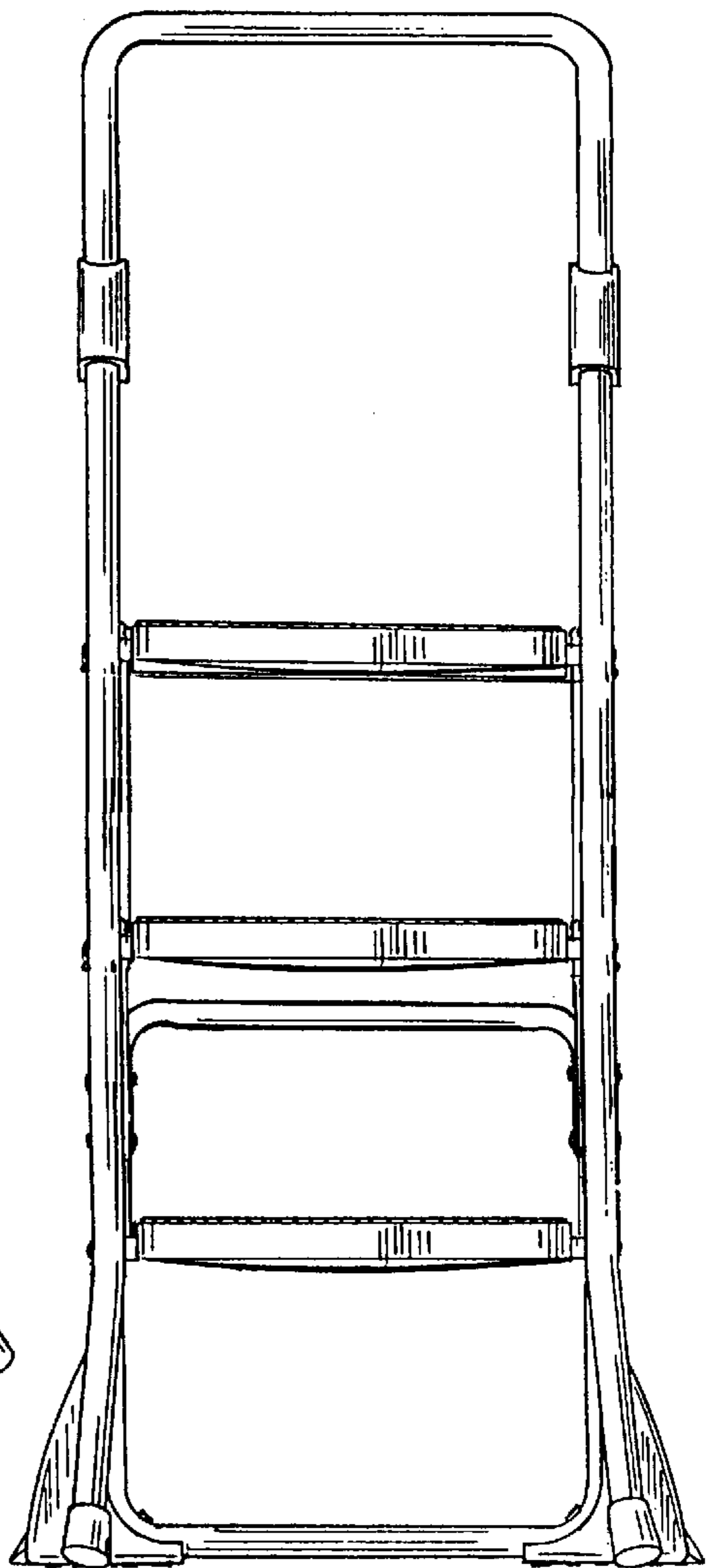


FIG. 14

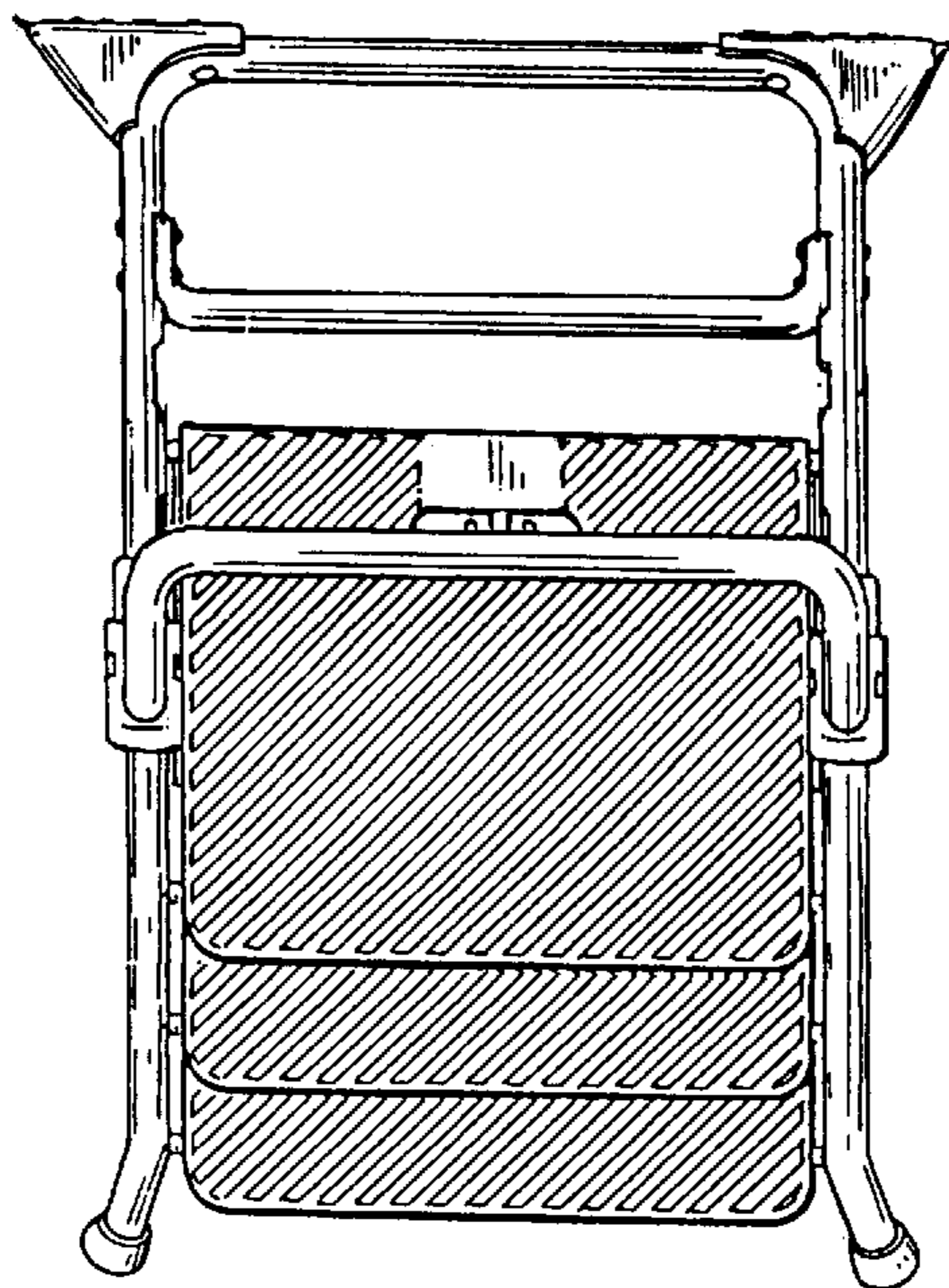


FIG. 15

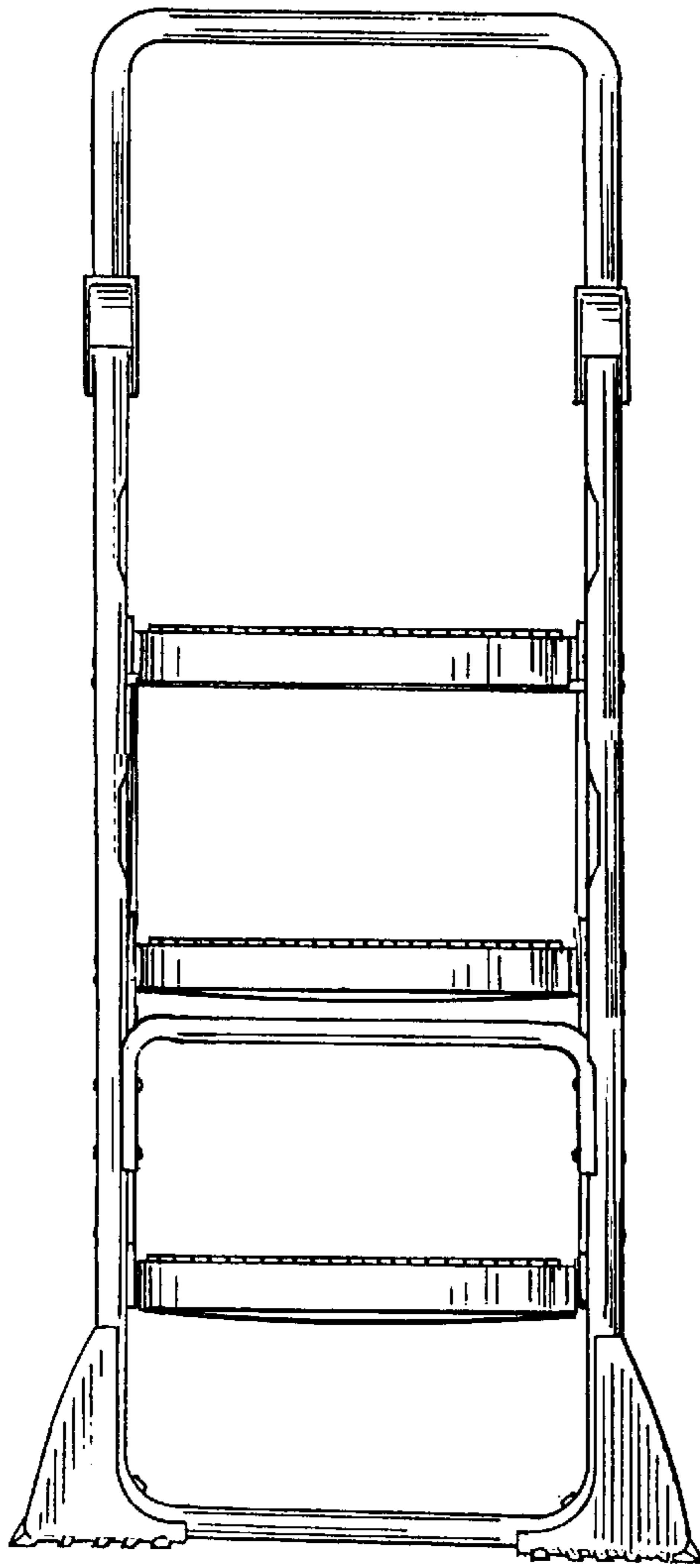


FIG. 16

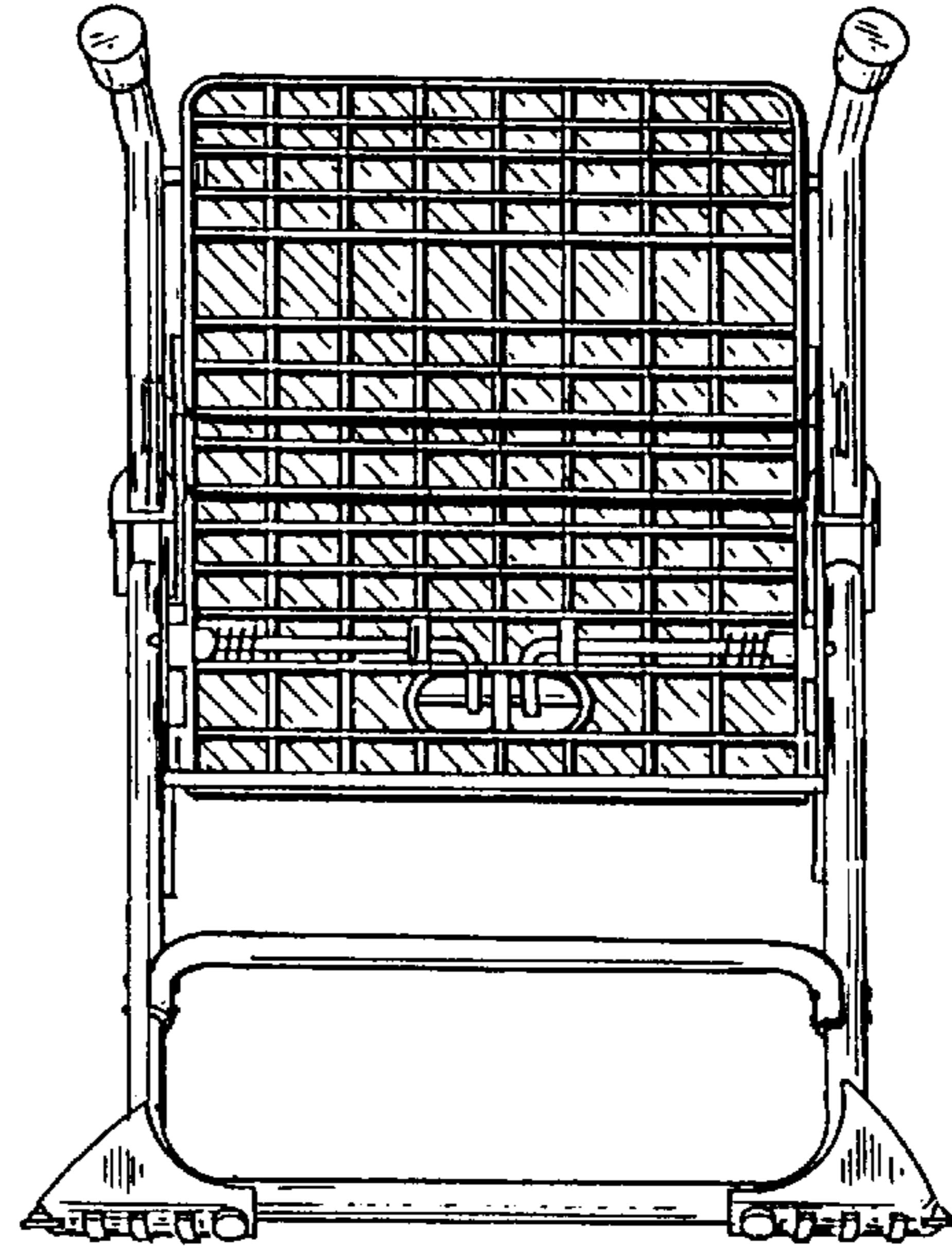


FIG. 18

FIG. 17

