



US00D411883S

United States Patent [19]

Farascioni et al.

[11] **Patent Number: Des. 411,883**

[45] **Date of Patent: ** Jul. 6, 1999**

[54] **SURGICAL RETRACTOR**

[75] Inventors: **David Farascioni**, Bethel; **David A. Nicholas**, Trumbull; **Patrick Flanagan**, Stratford; **Peter Hinchliffe**, New Haven; **Richard Yagami**, Ridgefield; **Mace H. Bell, III**, Rowayton, all of Conn.

[73] Assignee: **United States Surgical Corporation**, Norwalk, Conn.

[**] Term: **14 Years**

[21] Appl. No.: **29/077,181**

[22] Filed: **Sep. 29, 1997**

Related U.S. Application Data

[63] Continuation-in-part of application No. 08/718,283, Sep. 20, 1996.

[51] **LOC (6) Cl.** **24-02**

[52] **U.S. Cl.** **D24/135**

[58] **Field of Search** D24/135, 128; 600/201, 206, 210, 215, 216, 228, 232, 235, 233, 231

[56] References Cited

U.S. PATENT DOCUMENTS

2,623,517 12/1952 Barlow et al. .

2,693,795	11/1954	Grieshaber .	
3,724,449	4/1973	Gauthier .	
3,858,578	1/1975	Milo .	
4,010,741	3/1977	Gauthier .	
4,048,987	9/1977	Hurson .	
4,122,844	10/1978	Rabban .	
4,226,228	10/1980	Shin et al. .	
4,813,401	3/1989	Grieshaber .	
4,867,404	9/1989	Harrington et al. .	
5,467,763	11/1995	McMahon et al.	600/201
5,514,157	5/1996	Nicholas et al.	600/206
5,536,251	7/1996	Evard et al. .	
5,803,902	9/1998	Sienhiewicz et al.	600/203

Primary Examiner—Stella Reid
Assistant Examiner—I. Simmons

[57] CLAIM

The ornamental design for a surgical retractor, as shown and described.

DESCRIPTION

FIG. 1 is a perspective view of a surgical retractor showing our new design.
FIG. 2 is a front view thereof.
FIG. 3 is a top view thereof.
FIG. 4 is a left side view thereof.
FIG. 5 is a right side view thereof.
FIG. 6 is a back view thereof; and,
FIG. 7 is a bottom view thereof.

1 Claim, 2 Drawing Sheets

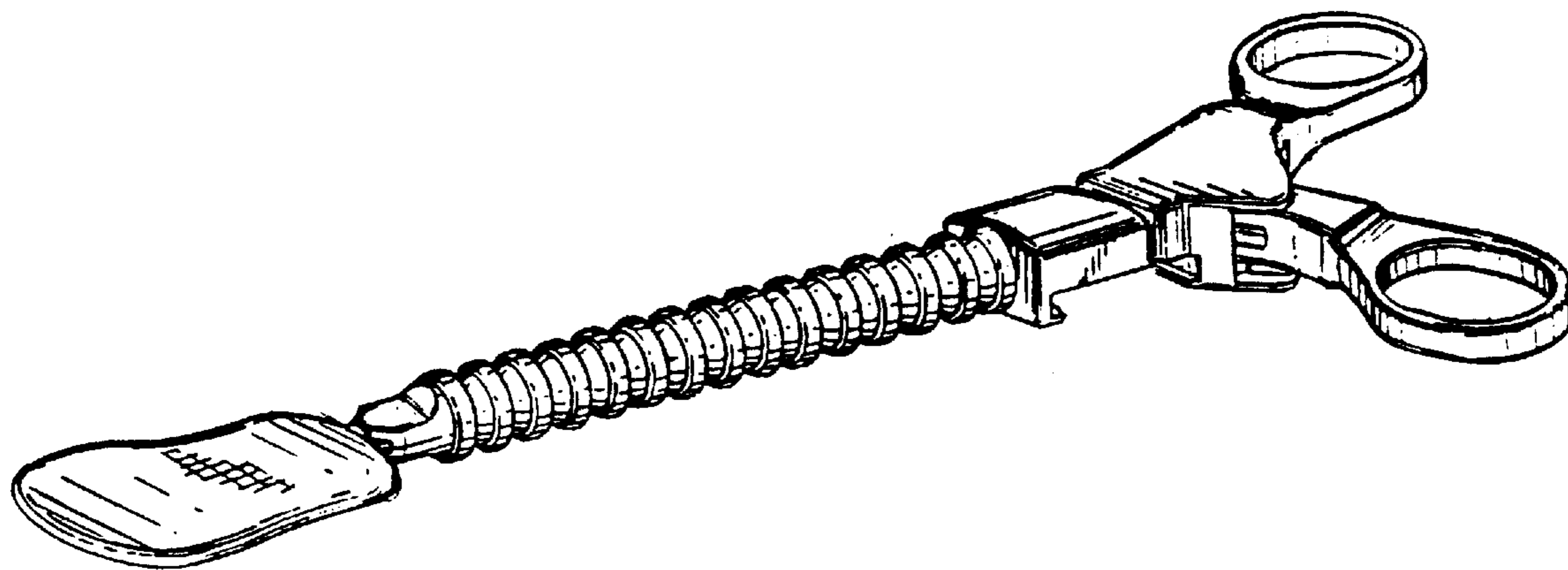


FIG. 1

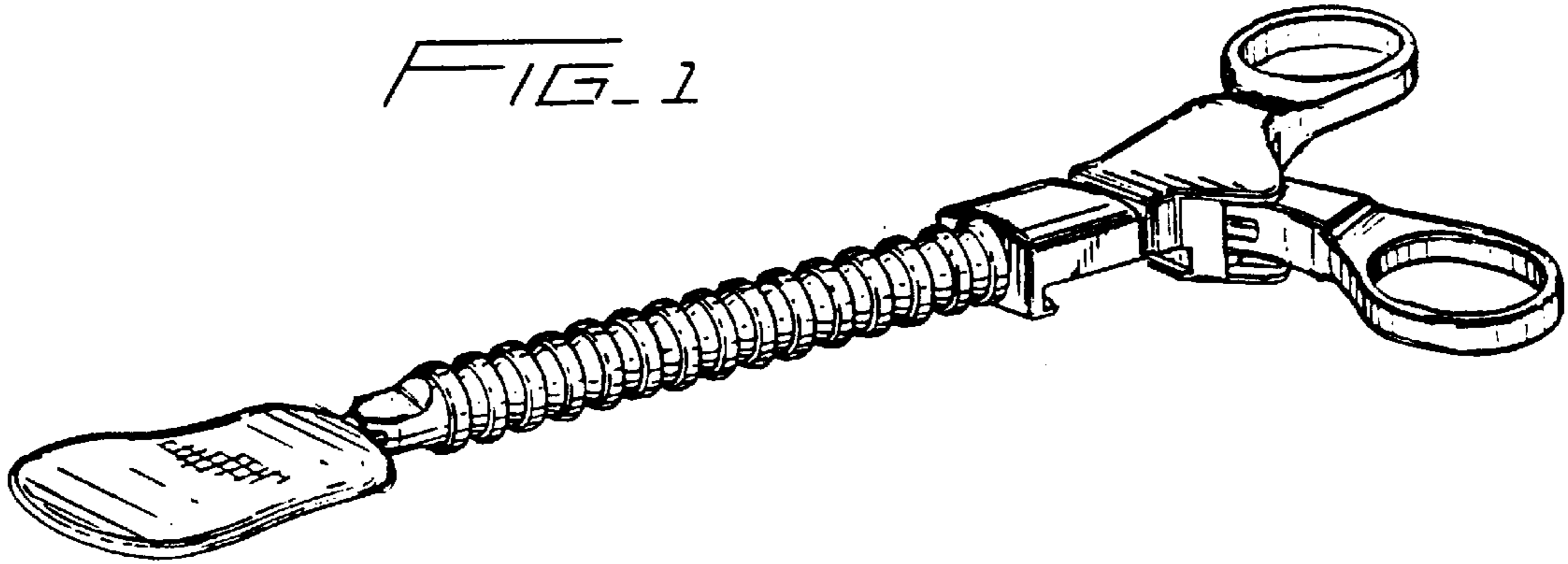


FIG. 2



FIG. 3

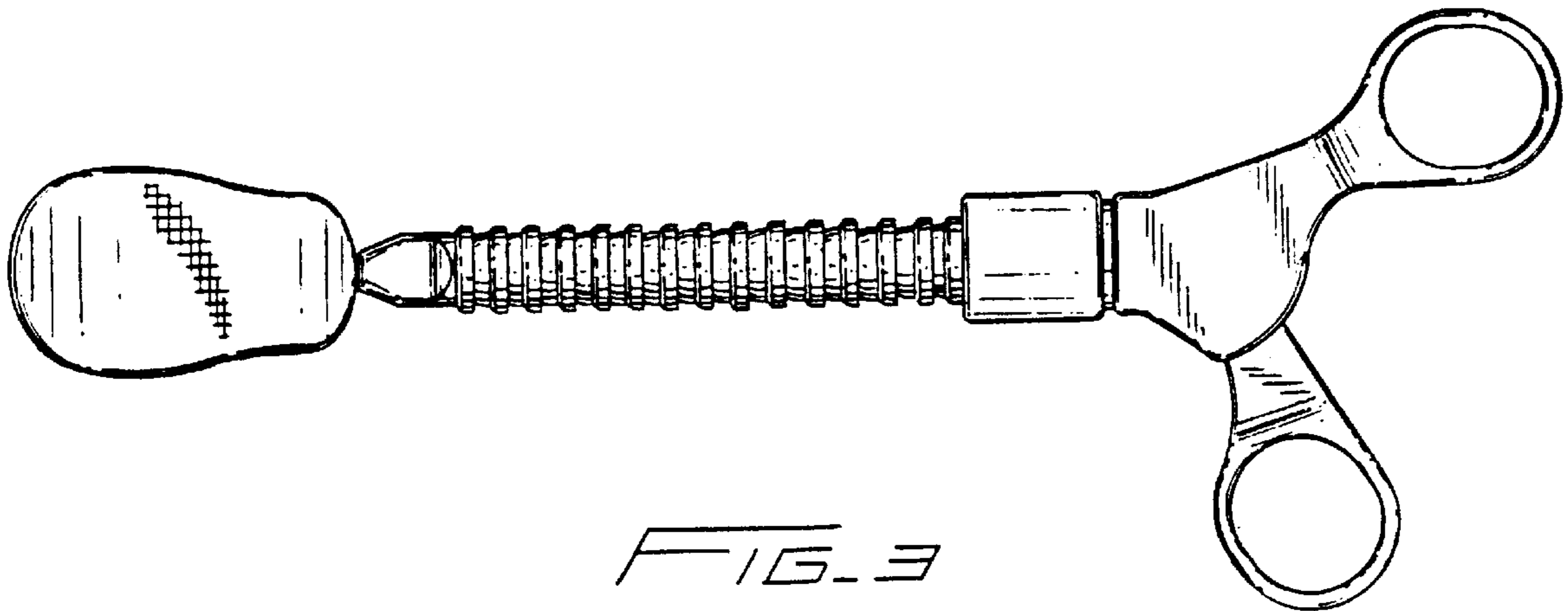




FIG. 4



FIG. 5



FIG. 6

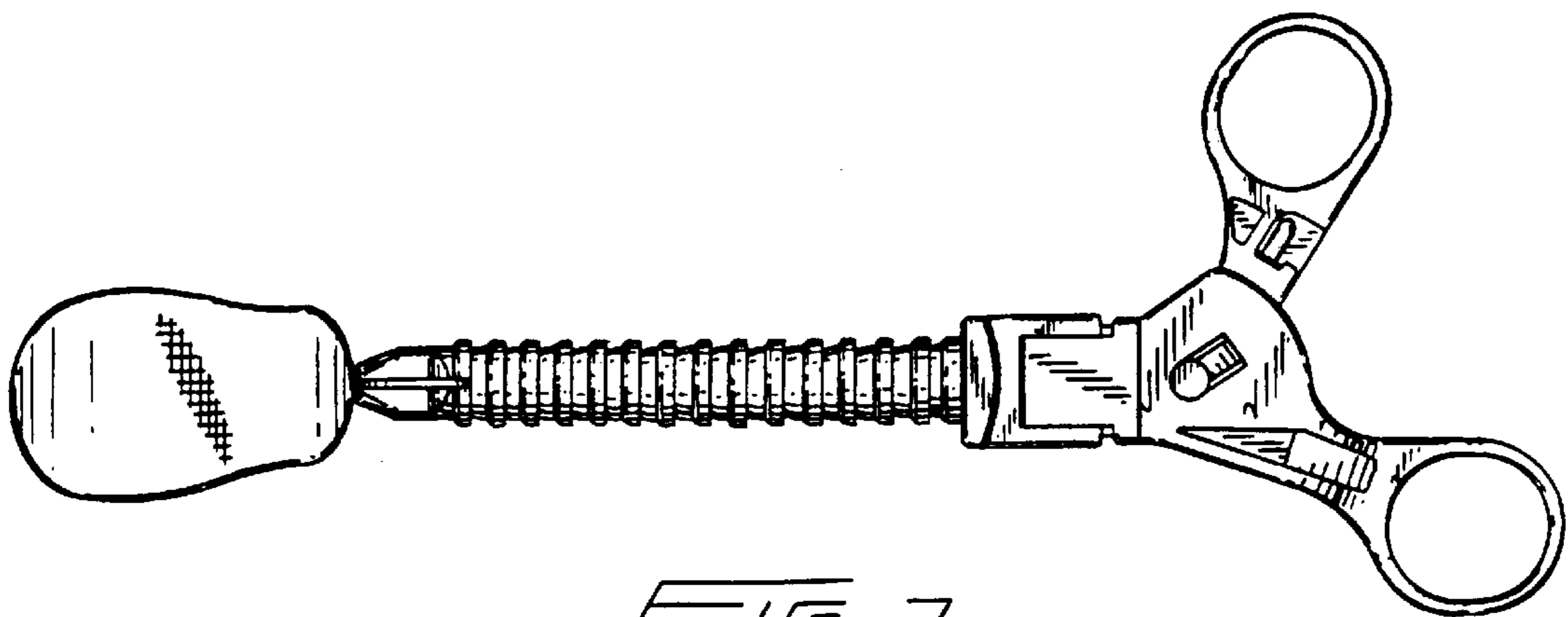


FIG. 7