



US00D411882S

**United States Patent** [19]  
**Minasian**

[11] **Patent Number: Des. 411,882**  
[45] **Date of Patent: \*\* Jul. 6, 1999**

[54] **SYRINGE HOLDER FOR FINE NEEDLE ASPIRATION BIOPSY**

[76] Inventor: **Harvey Minasian**, 52 Denbigh Road, London W13 8NH, United Kingdom

[\*\*] Term: **14 Years**

[21] Appl. No.: **29/083,953**

[22] Filed: **Feb. 20, 1998**

[30] **Foreign Application Priority Data**

Aug. 22, 1997 [GB] United Kingdom ..... 2068494

[51] **LOC (6) Cl.** ..... **24-04**

[52] **U.S. Cl.** ..... **D24/130**

[58] **Field of Search** ..... D24/130, 140; 604/192-198, 403, 411, 414, 181, 246, 184, 158; 128/DIG. 26, DIG. 6

[56] **References Cited**

**U.S. PATENT DOCUMENTS**

- D. 320,456 10/1991 Grossman ..... D24/130
- D. 333,003 2/1993 Chettleburgh ..... D24/130
- D. 362,064 9/1995 Smick ..... D24/140

*Primary Examiner*—Pamela Burgess  
*Attorney, Agent, or Firm*—Larson & Taylor

[57] **CLAIM**

The ornamental design for a syringe holder for fine needle aspiration biopsy, as shown and described.

**DESCRIPTION**

FIG. 1 is a perspective view of the syringe holder for fine needle aspiration biopsy in its rest condition, taken from above, the front and one side;

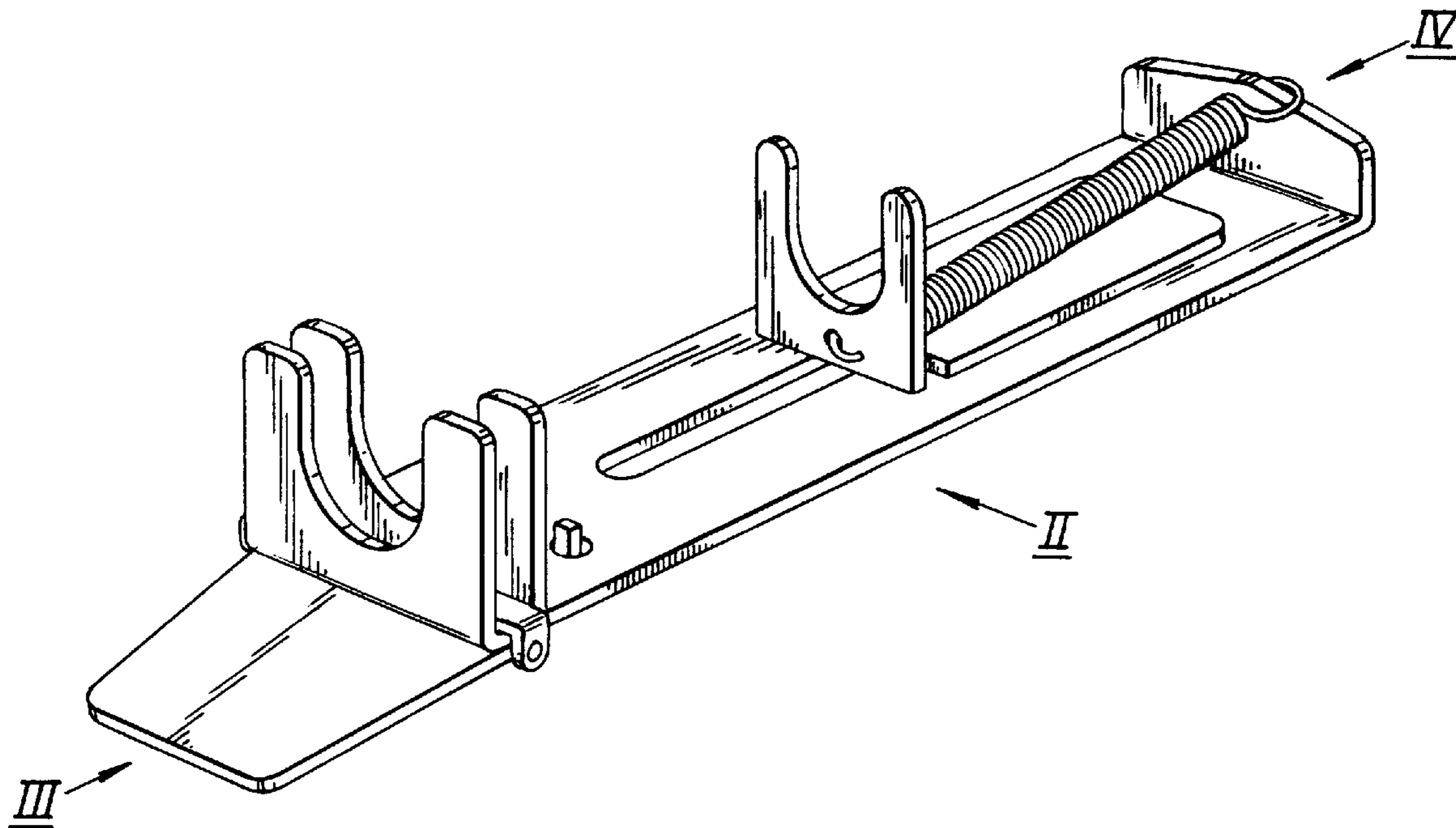
FIG. 2 is an elevation of said one side of the syringe holder for fine needle aspiration biopsy in the direction of the arrow II of FIG. 1;

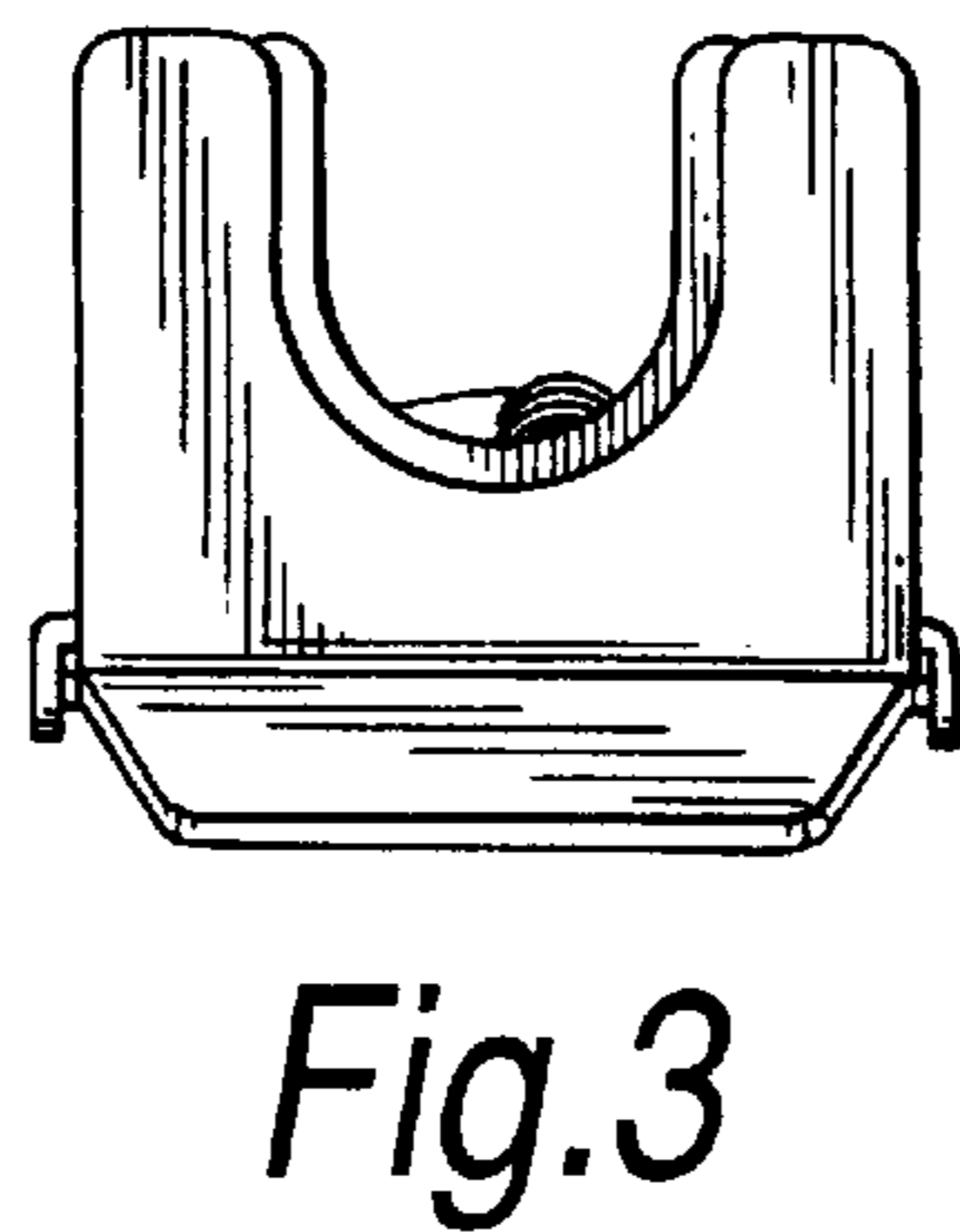
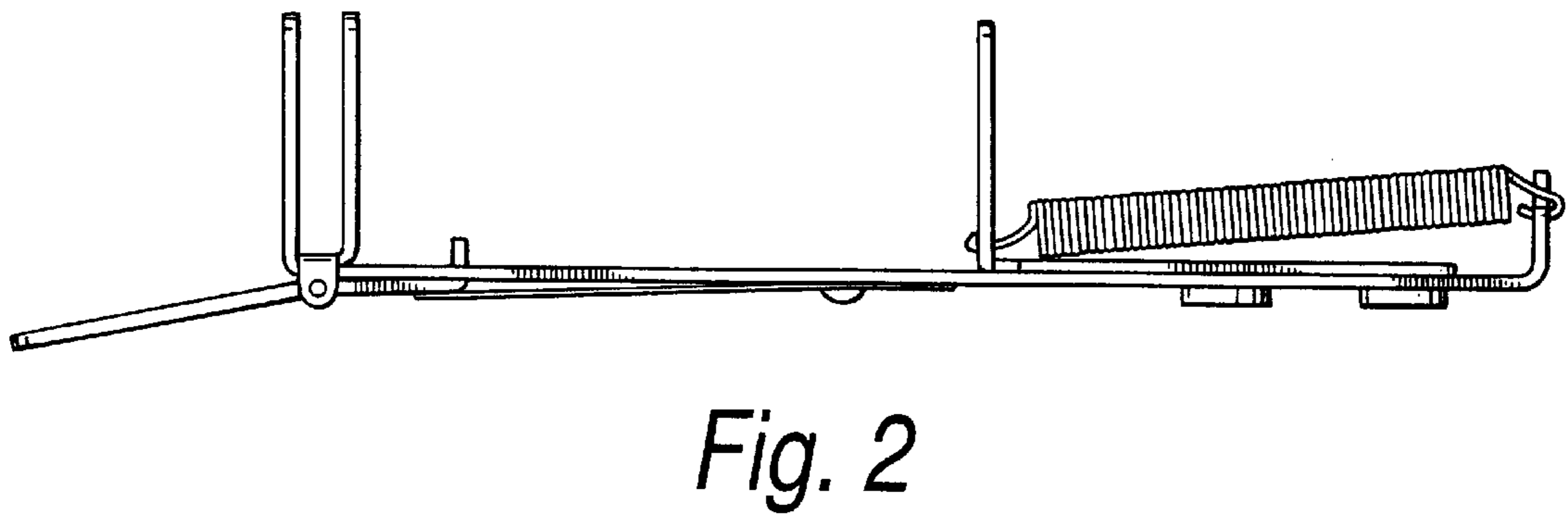
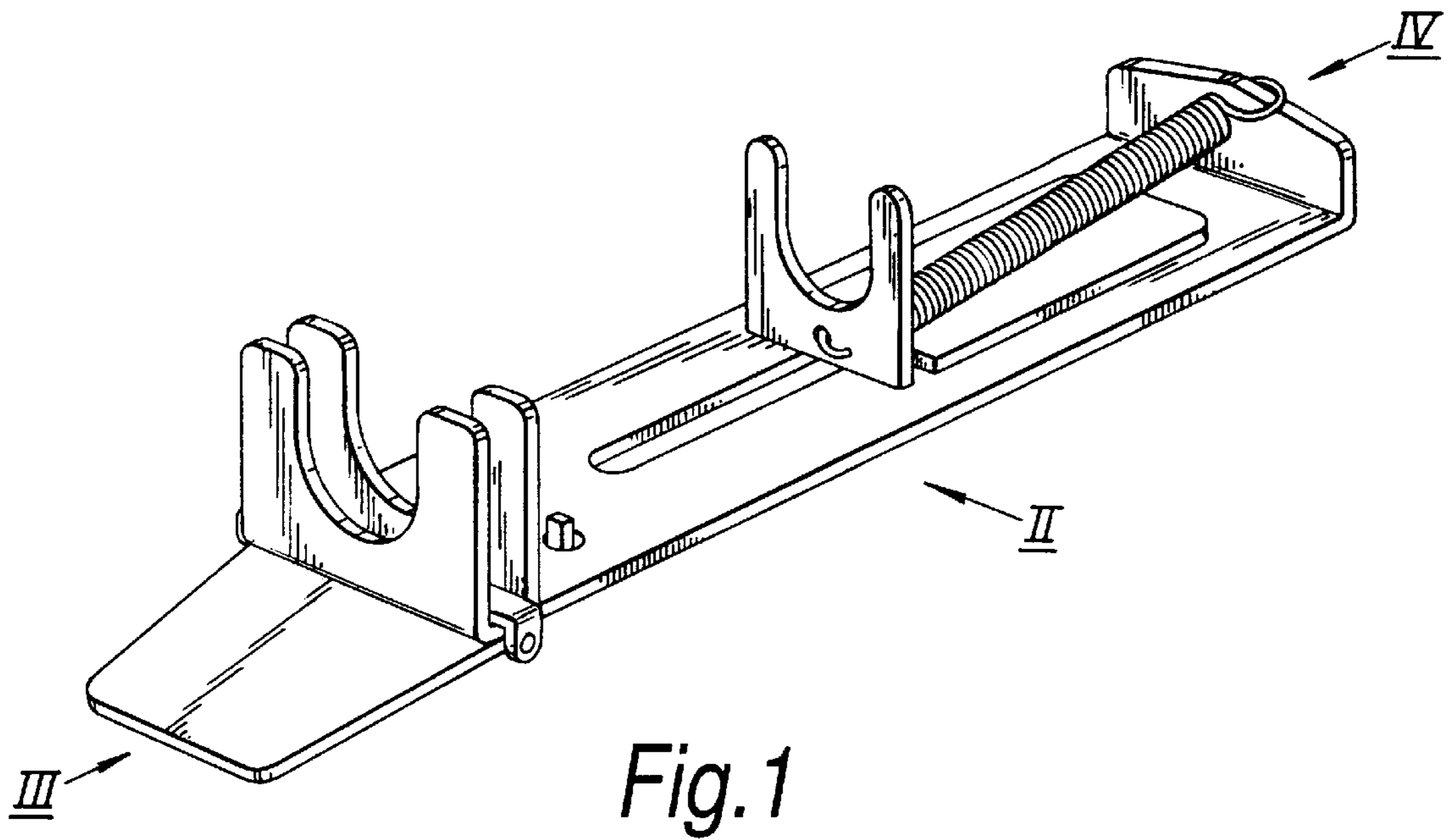
FIG. 3 is a front elevation of the syringe holder for fine needle aspiration biopsy in the direction of the arrow III of FIG. 1;

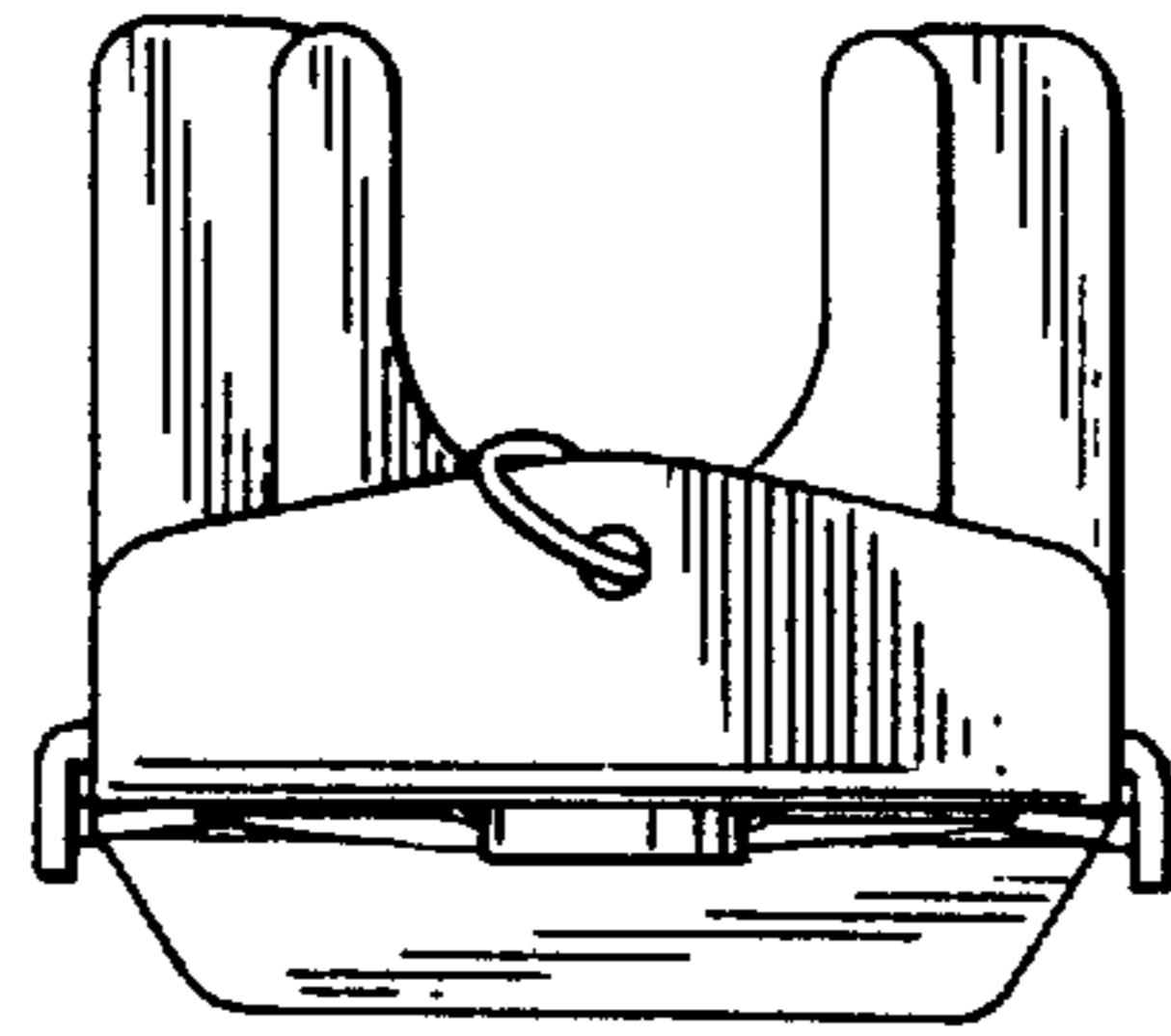
FIG. 4 is a rear elevation of the syringe holder for fine needle aspiration biopsy in the direction of the arrow IV of FIG. 1; FIG. 5 is an underneath plan view of the syringe holder for fine needle aspiration biopsy of FIG. 1 in its rest condition; and,

FIG. 6 is a top plan view of the syringe holder for fine needle aspiration biopsy in its “cocked” condition.

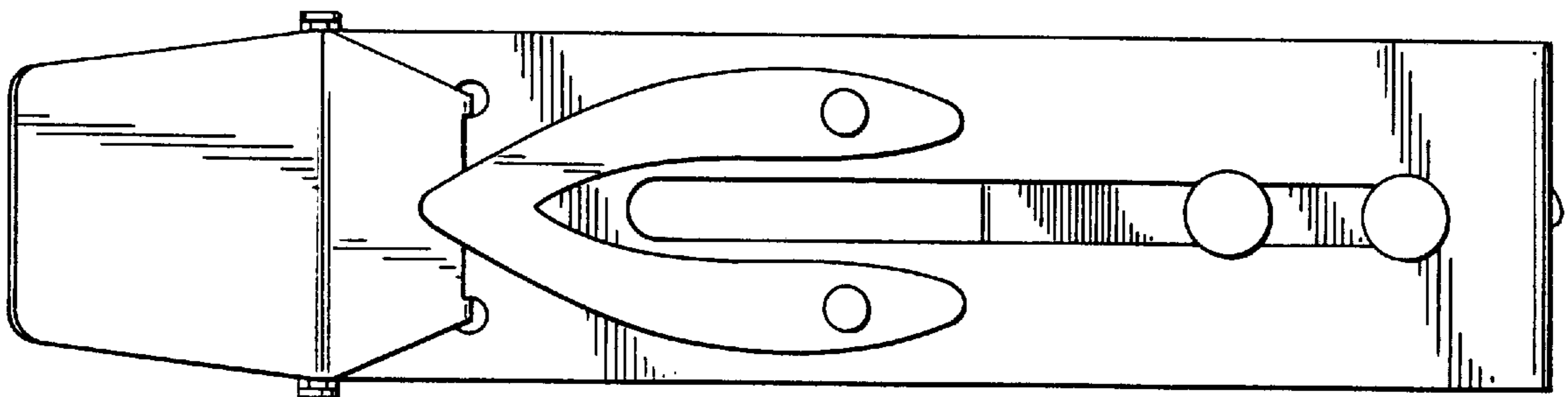
**1 Claim, 2 Drawing Sheets**



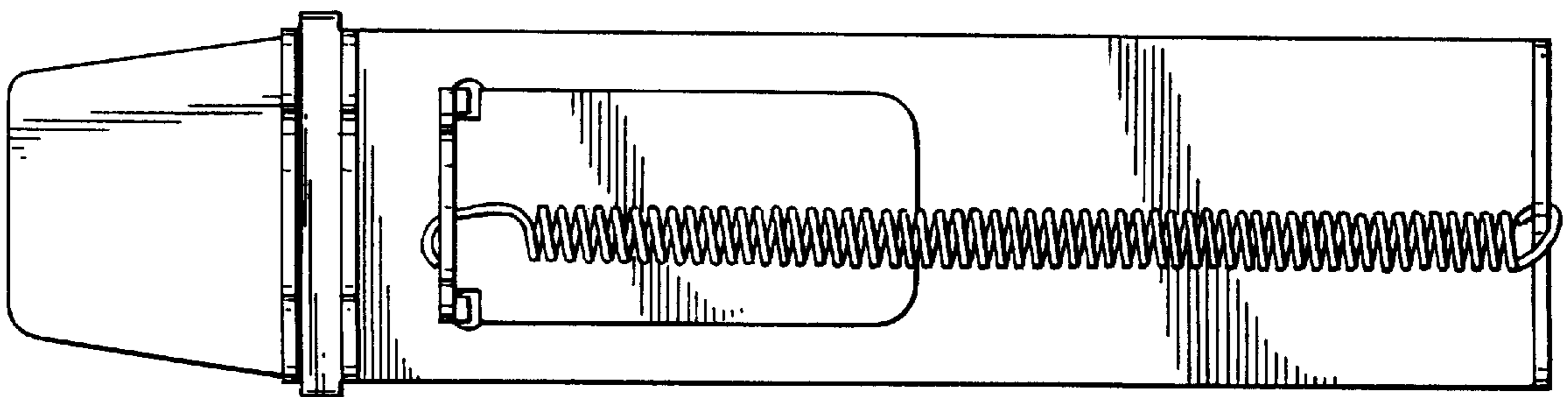




*Fig.4*



*Fig.5*



*Fig.6*