



US00D411879S

# United States Patent [19]

Stanek et al.

[11] Patent Number: **Des. 411,879**

[45] Date of Patent: **\*\* Jul. 6, 1999**

[54] **CONSOLE HUMIDIFIER**

[75] Inventors: **Terrence L. Stanek**, St. Charles; **Mark J. Tomasiak**, O'Fallon; **Kiyoshi Hoshino**, Chesterfield, all of Mo.

[73] Assignee: **Emerson Electric Co.**, St. Louis, Mo.

[\*\*] Term: **14 Years**

[21] Appl. No.: **29/093,010**

[22] Filed: **Sep. 1, 1998**

[51] **LOC (6) Cl.** ..... **23-04**

[52] **U.S. Cl.** ..... **D23/356; D23/358**

[58] **Field of Search** ..... **D23/356-363; 261/104, 107**

[56] **References Cited**

**U.S. PATENT DOCUMENTS**

- D. 385,622 10/1997 Tomasiak et al. .... D23/356
- D. 397,195 8/1998 Allen et al. .... D23/356

*Primary Examiner*—Lisa Lichtenstein  
*Attorney, Agent, or Firm*—Arnold White & Durkee

[57] **CLAIM**

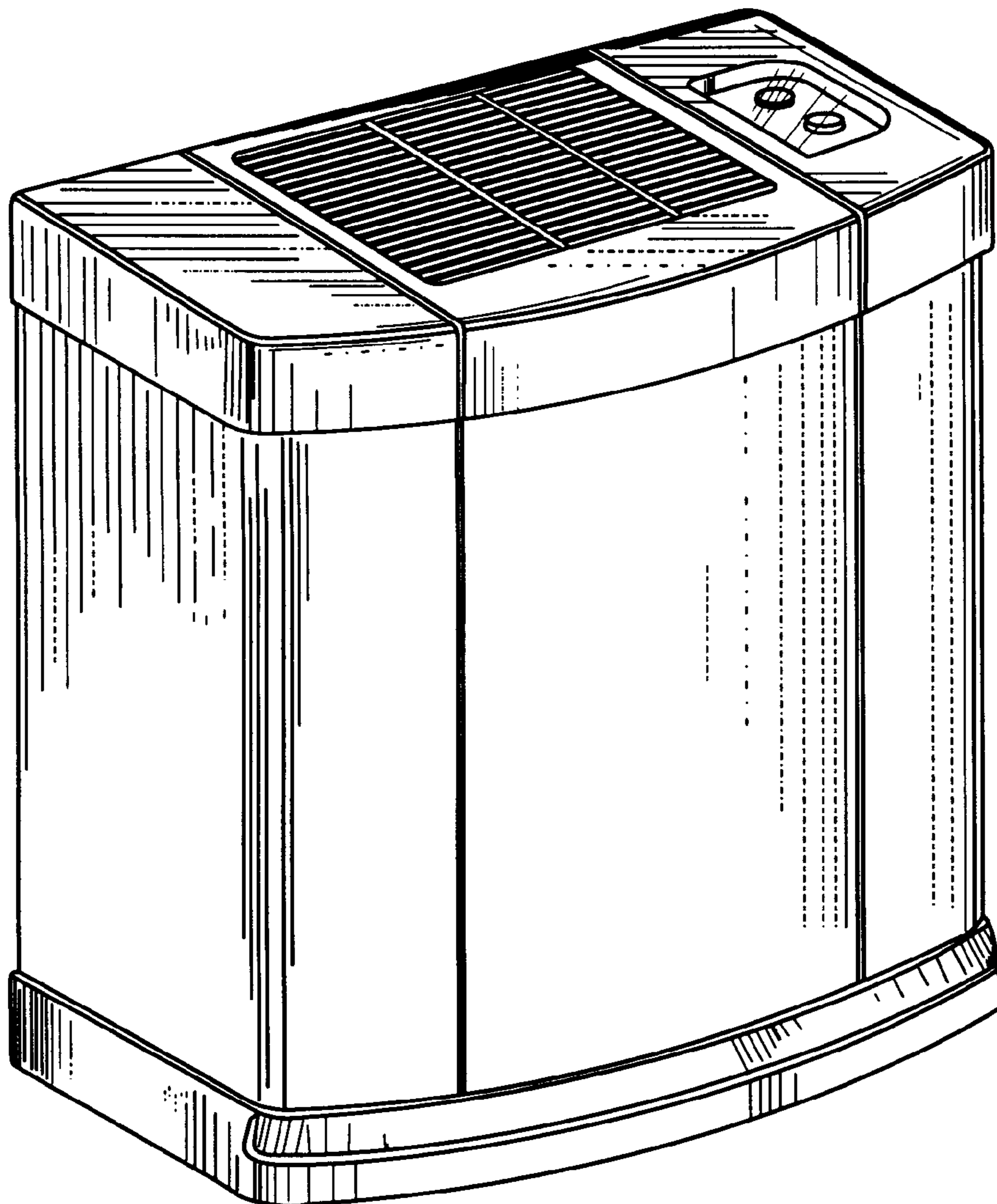
The ornamental design for a console humidifier, as shown and described.

**DESCRIPTION**

FIG. 1 is a top front perspective view of the console humidifier, showing our new design; FIG. 2 is a front elevation view; FIG. 3 is a right side elevation view; FIG. 4 is a left side elevation view; FIG. 5 is a rear elevation view; FIG. 6 is a top plan view; and, FIG. 7 is a bottom plan view.

The broken-line showing of environmental structure in FIGS. 2-5 and 7 is for illustrative purposes only and form no part of the claimed design.

**1 Claim, 3 Drawing Sheets**



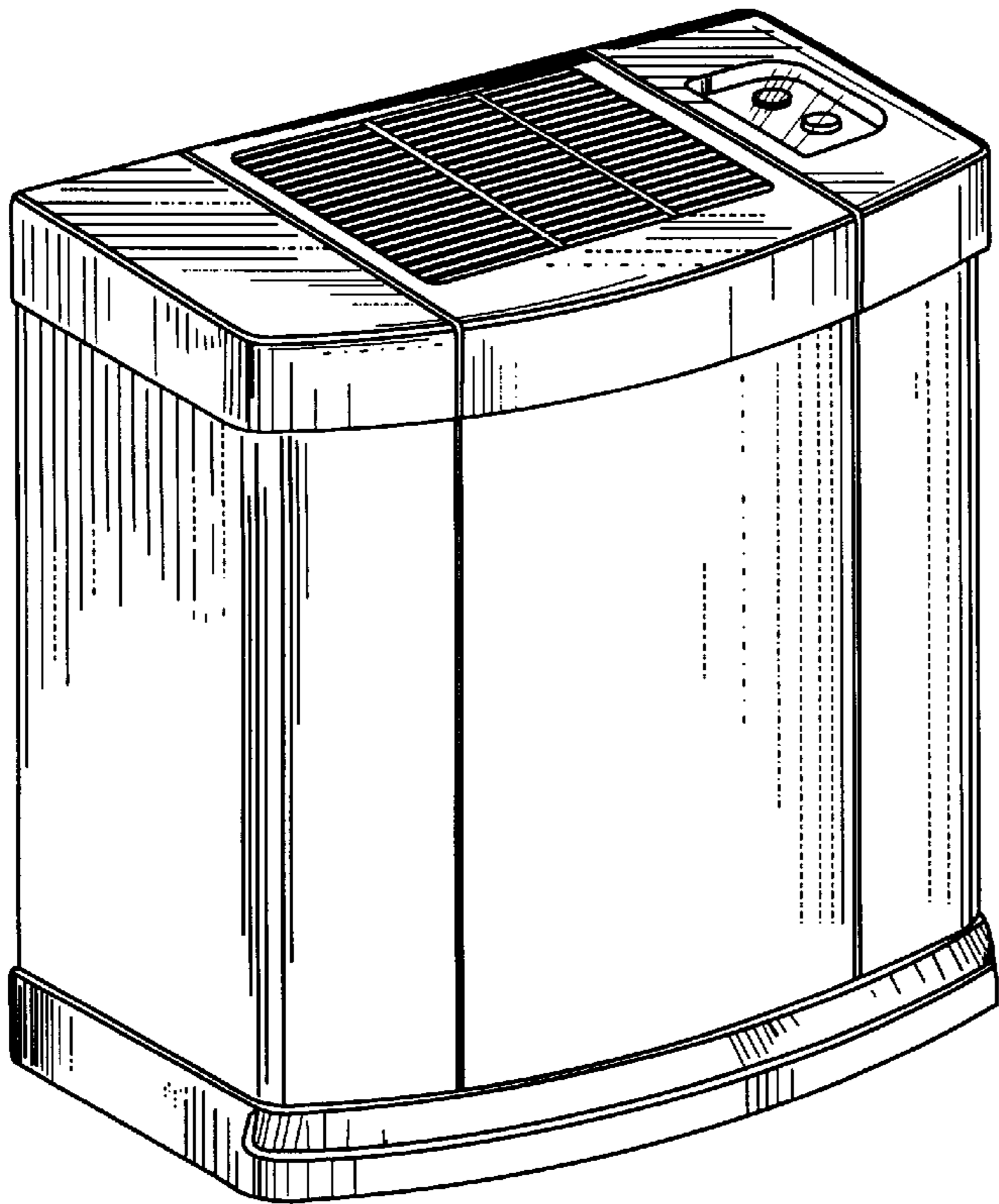


FIG. 1

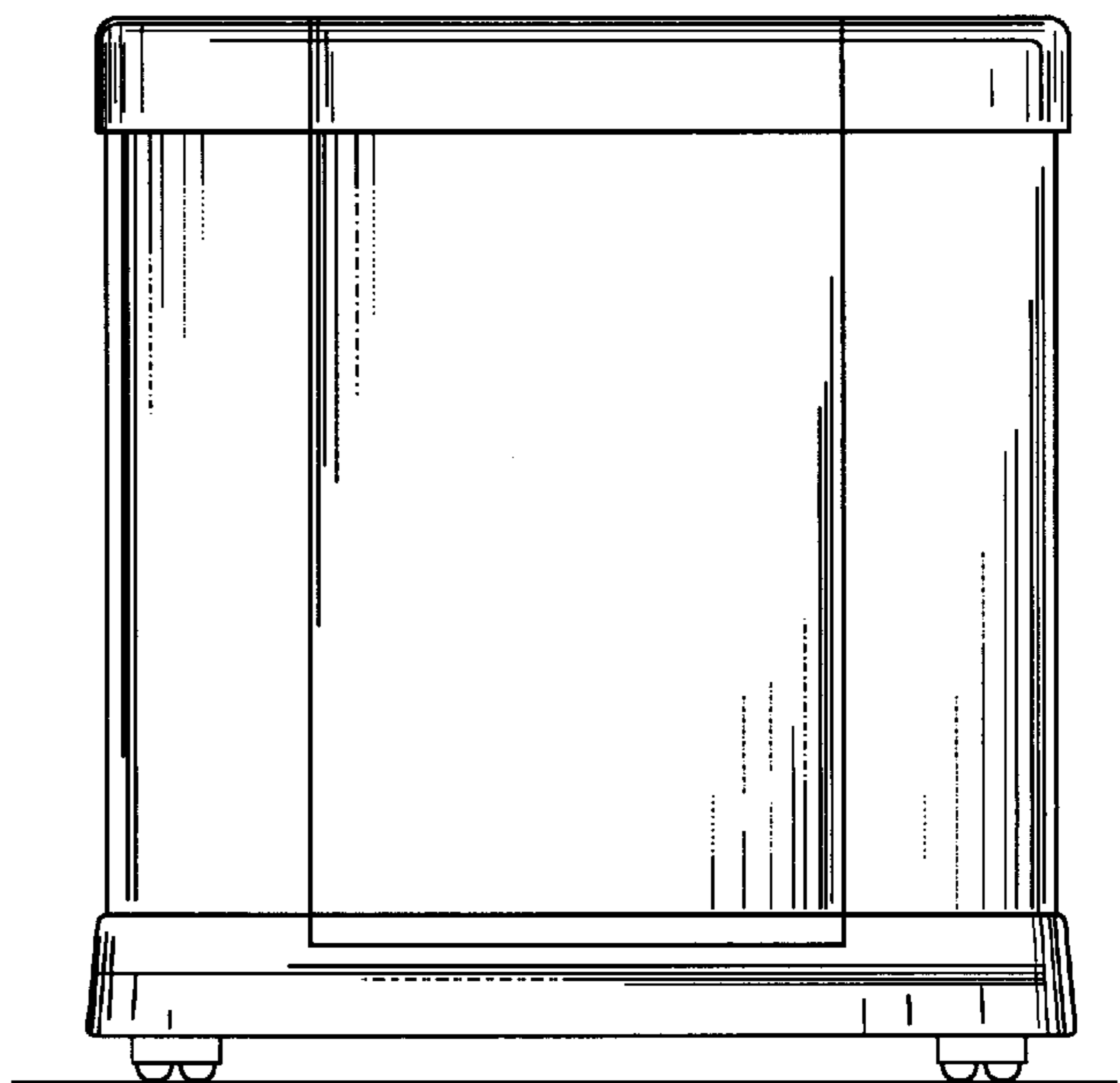


FIG. 2

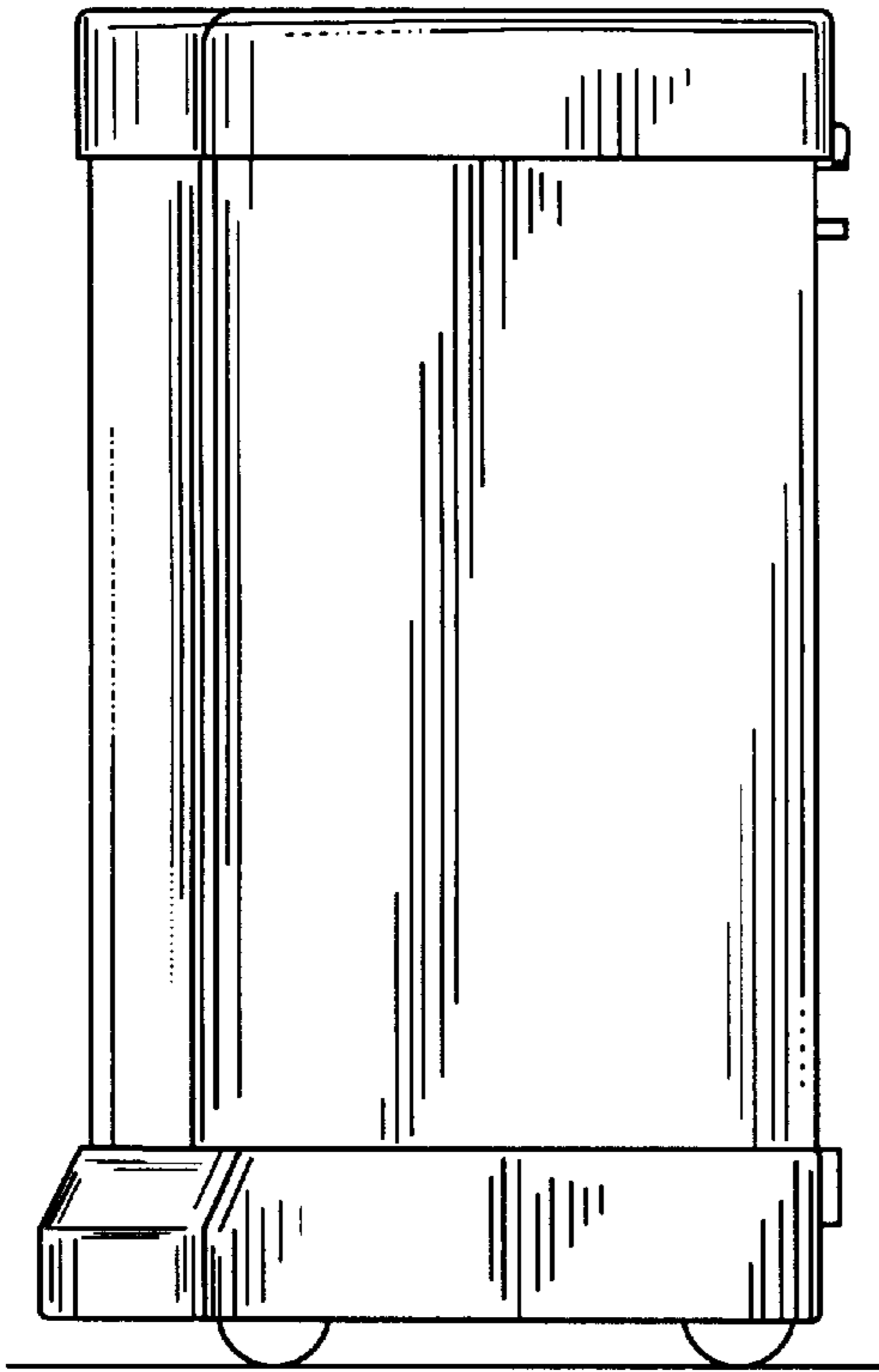


FIG. 3

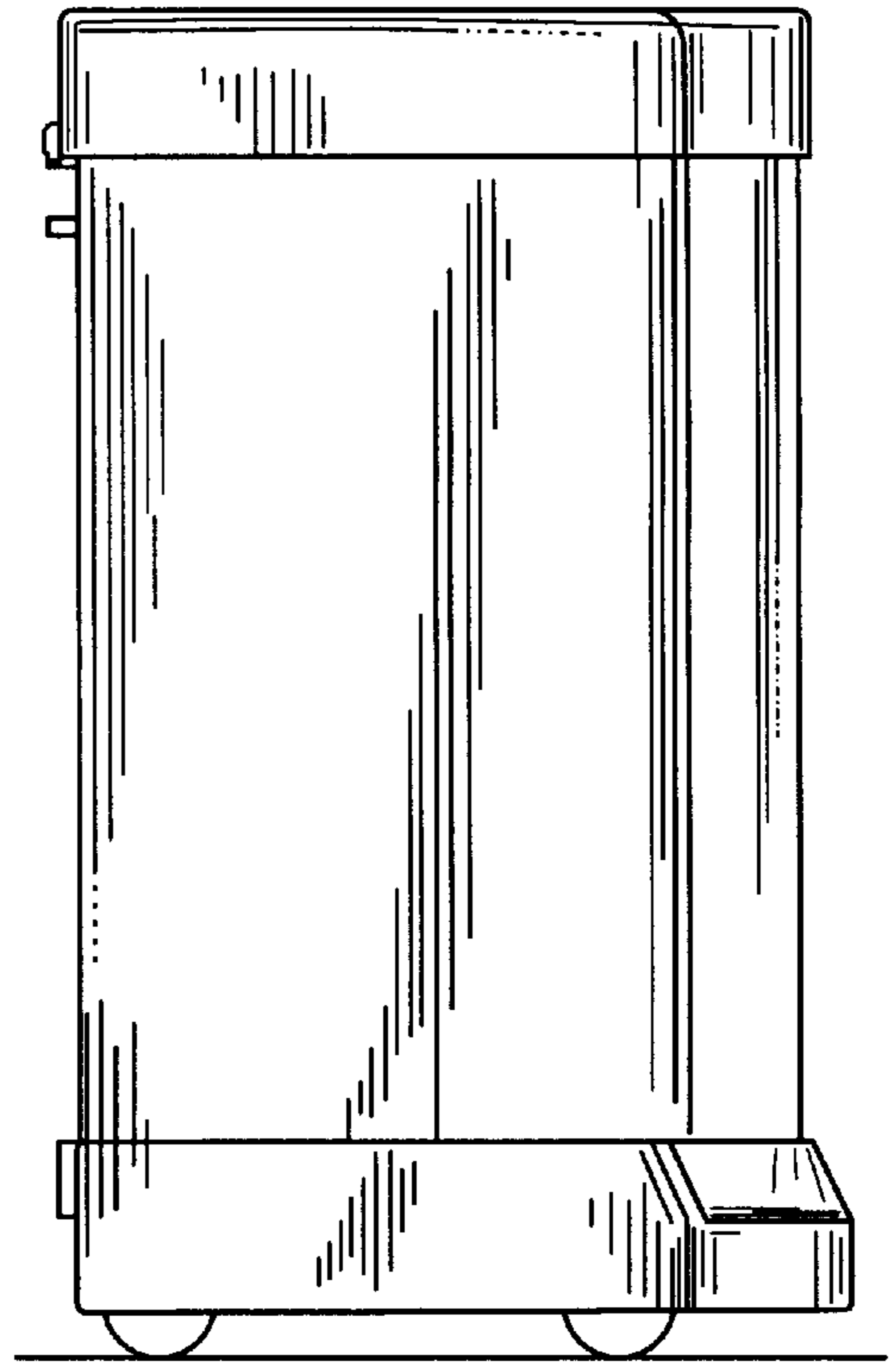


FIG. 4

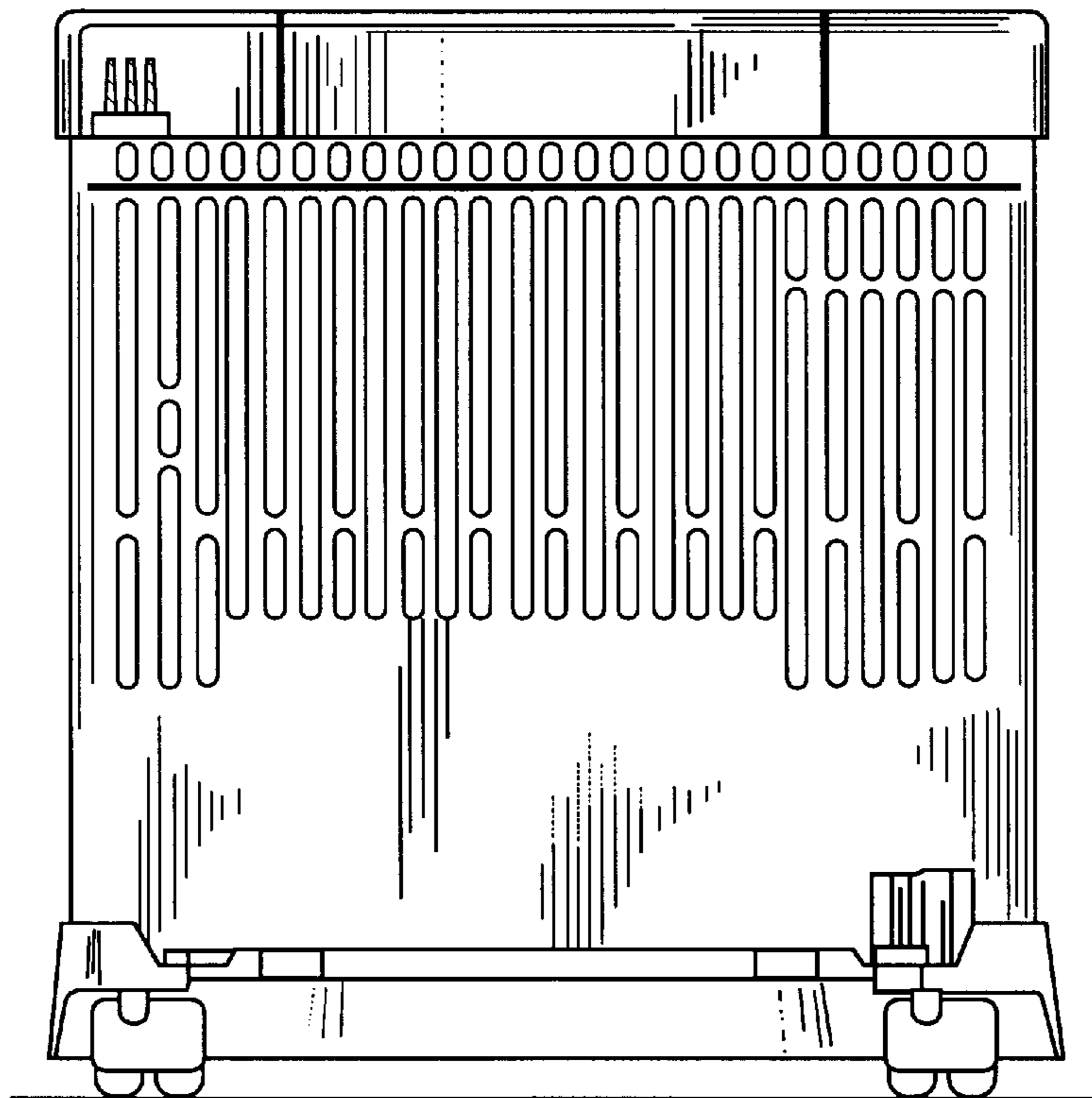


FIG. 5

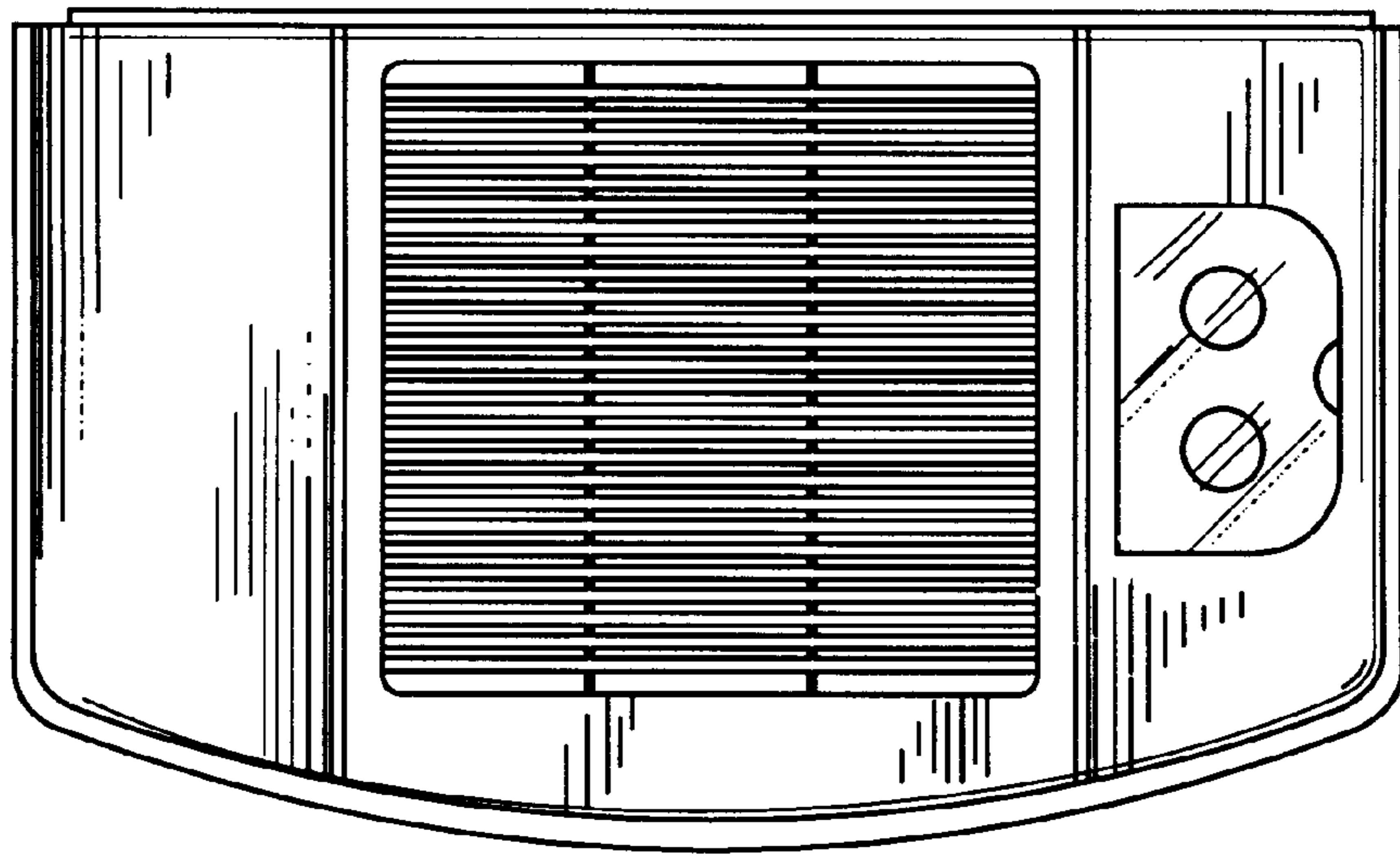


FIG. 6

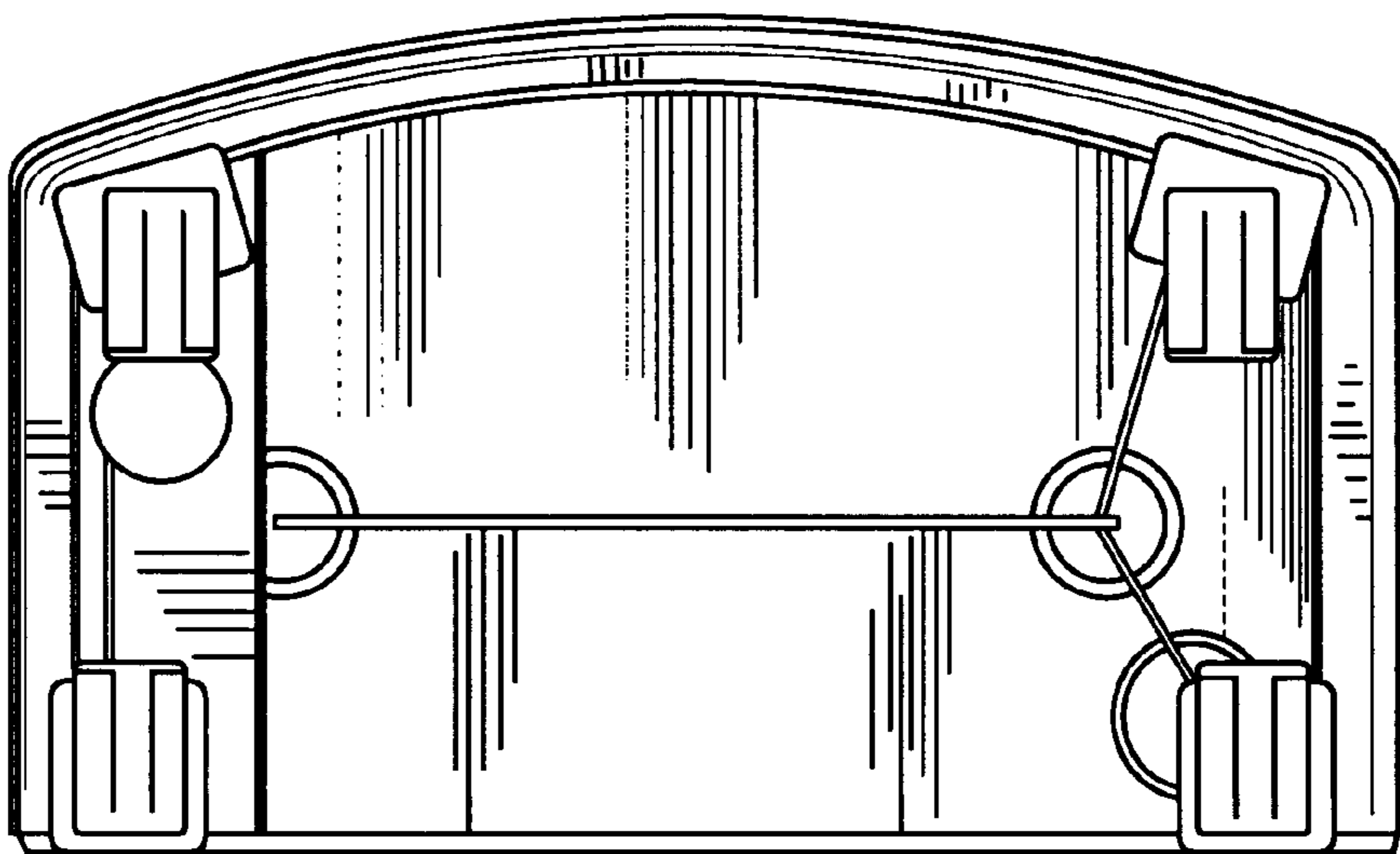


FIG. 7