



US00D411877S

United States Patent [19]
Chiu

[11] **Patent Number: Des. 411,877**
[45] **Date of Patent: ** Jul. 6, 1999**

[54] **SINK**
[75] Inventor: **Tony Chiu**, Taipei, Taiwan
[73] Assignee: **Hocheng Corporation**, Taipei, Taiwan
[**] Term: **14 Years**
[21] Appl. No.: **29/093,193**
[22] Filed: **Sep. 4, 1998**
[51] **LOC (6) Cl.** **23-02**
[52] **U.S. Cl.** **D23/292**
[58] **Field of Search** D23/284-293.1;
4/619, 624, 626, 638-650

D. 370,966 6/1996 Enthoven D23/292
D. 386,249 11/1997 Garza D23/292
D. 389,563 1/1998 Kergoet D23/292

Primary Examiner—Louis S. Zarfes
Assistant Examiner—Eric Watterson
Attorney, Agent, or Firm—Lyon & Lyon LLP

[57] **CLAIM**

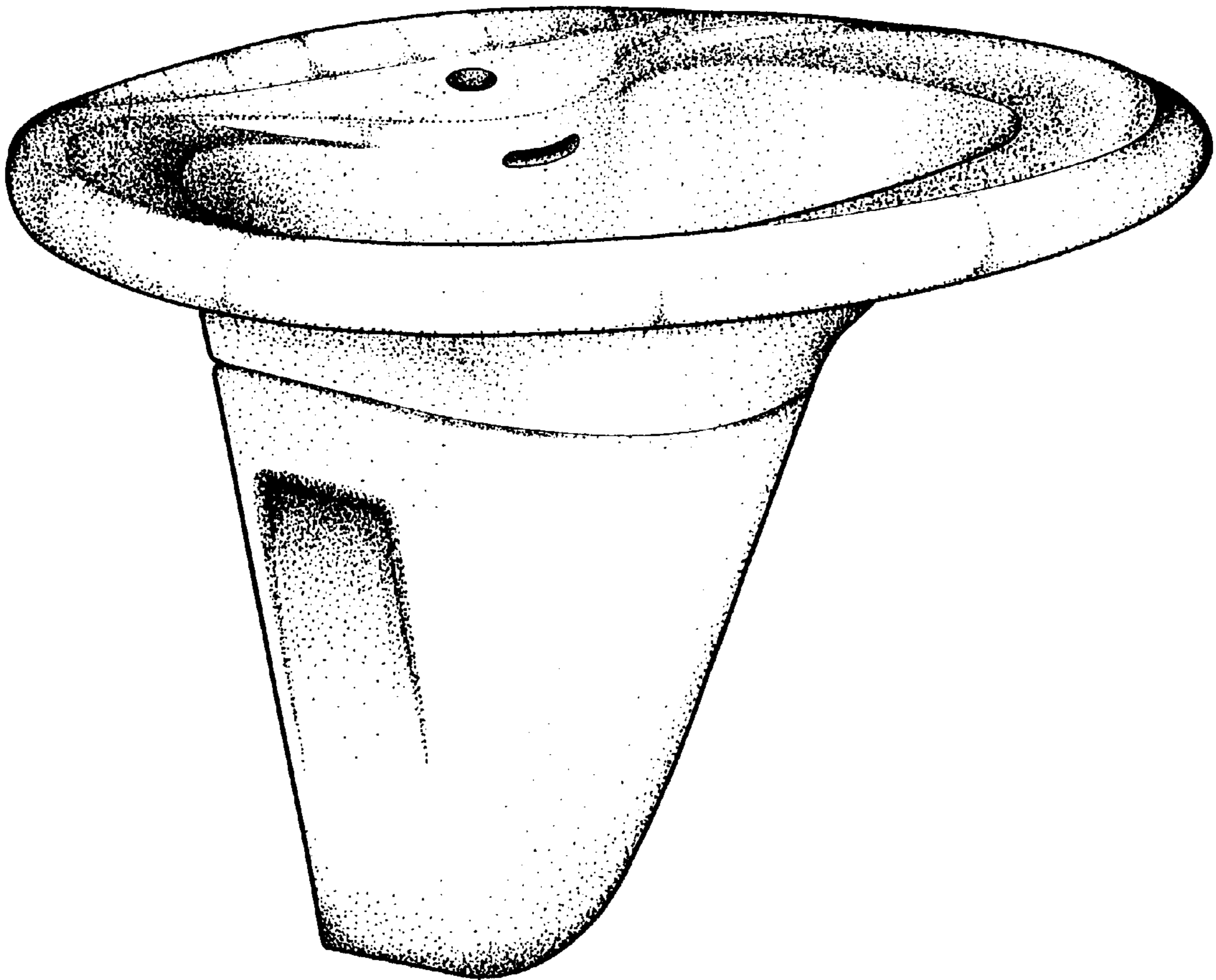
The ornamental design for a sink, as shown and described.

DESCRIPTION

FIG. 1 is a perspective view of a sink showing my new design;
FIG. 2 is a front perspective view of thereof;
FIG. 3 is a rear elevational view thereof;
FIG. 4 is a right side and left side elevational view thereof;
FIG. 5 is a top plan view thereof; and,
FIG. 6 is a bottom plan view thereof.

[56] **References Cited**
U.S. PATENT DOCUMENTS
D. 273,978 5/1984 Enthoven D23/292
D. 289,792 5/1987 Hardion D23/292
D. 325,626 4/1992 Ragonot D23/292

1 Claim, 3 Drawing Sheets



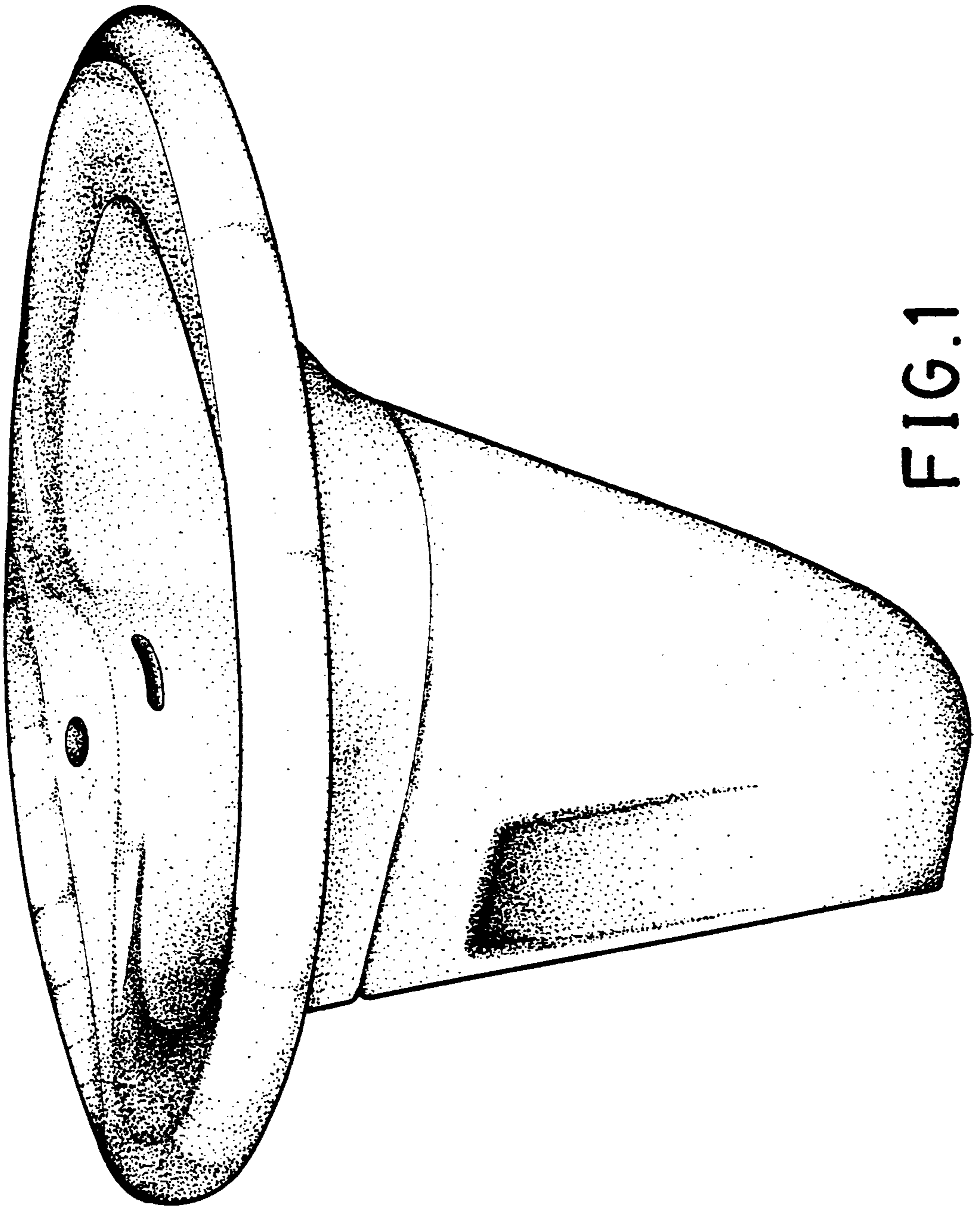


FIG. 1

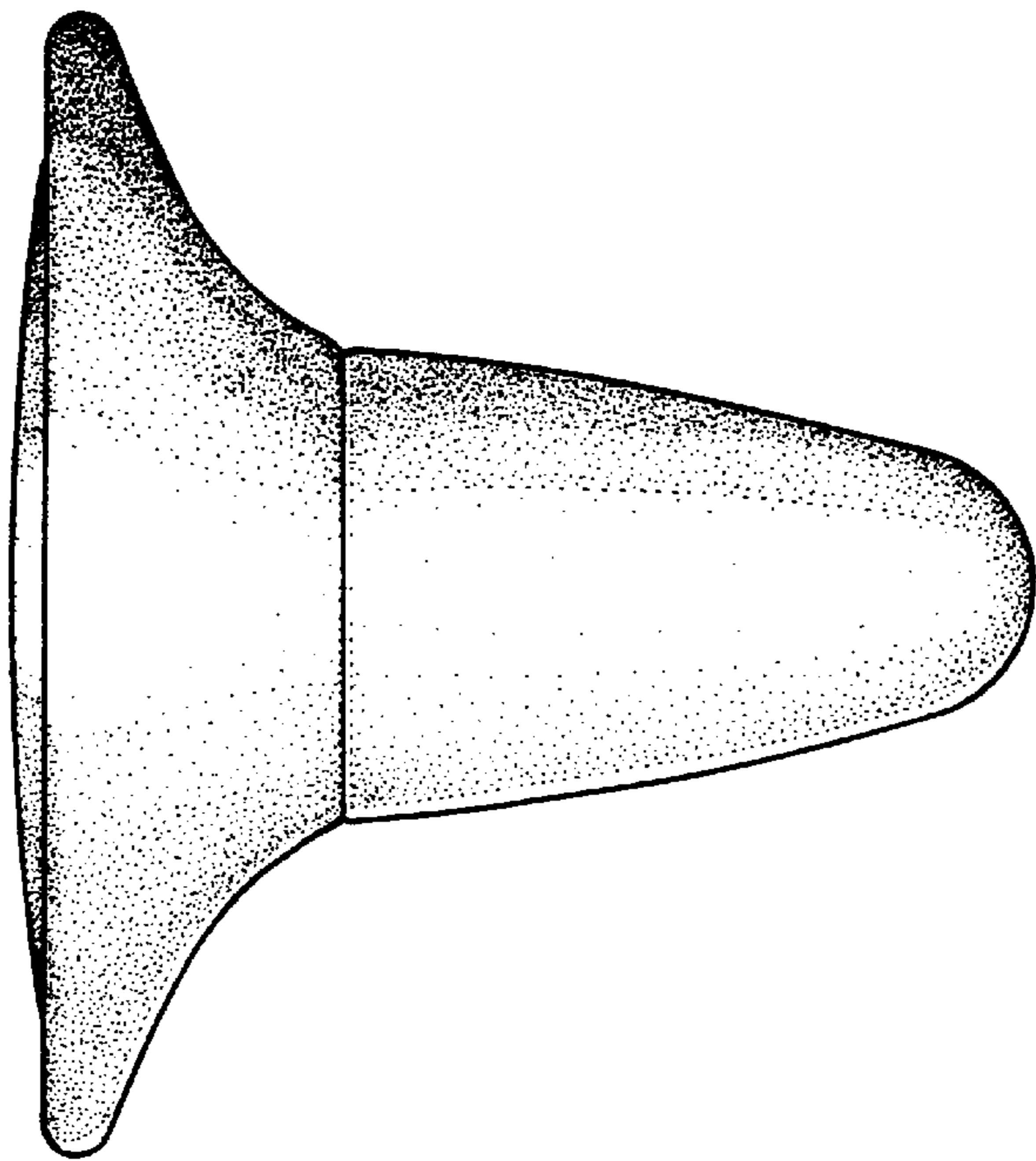


FIG. 2

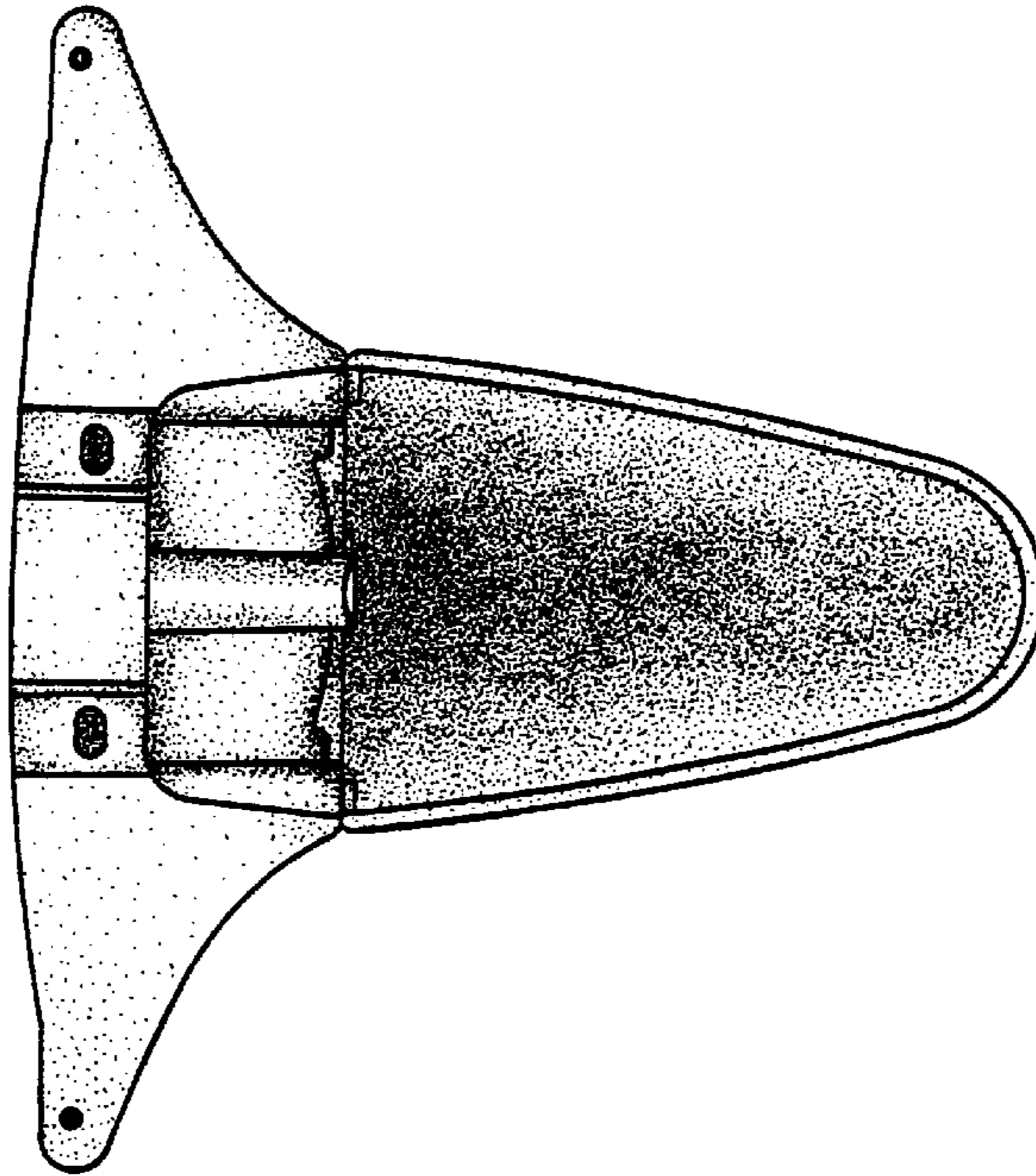


FIG. 3

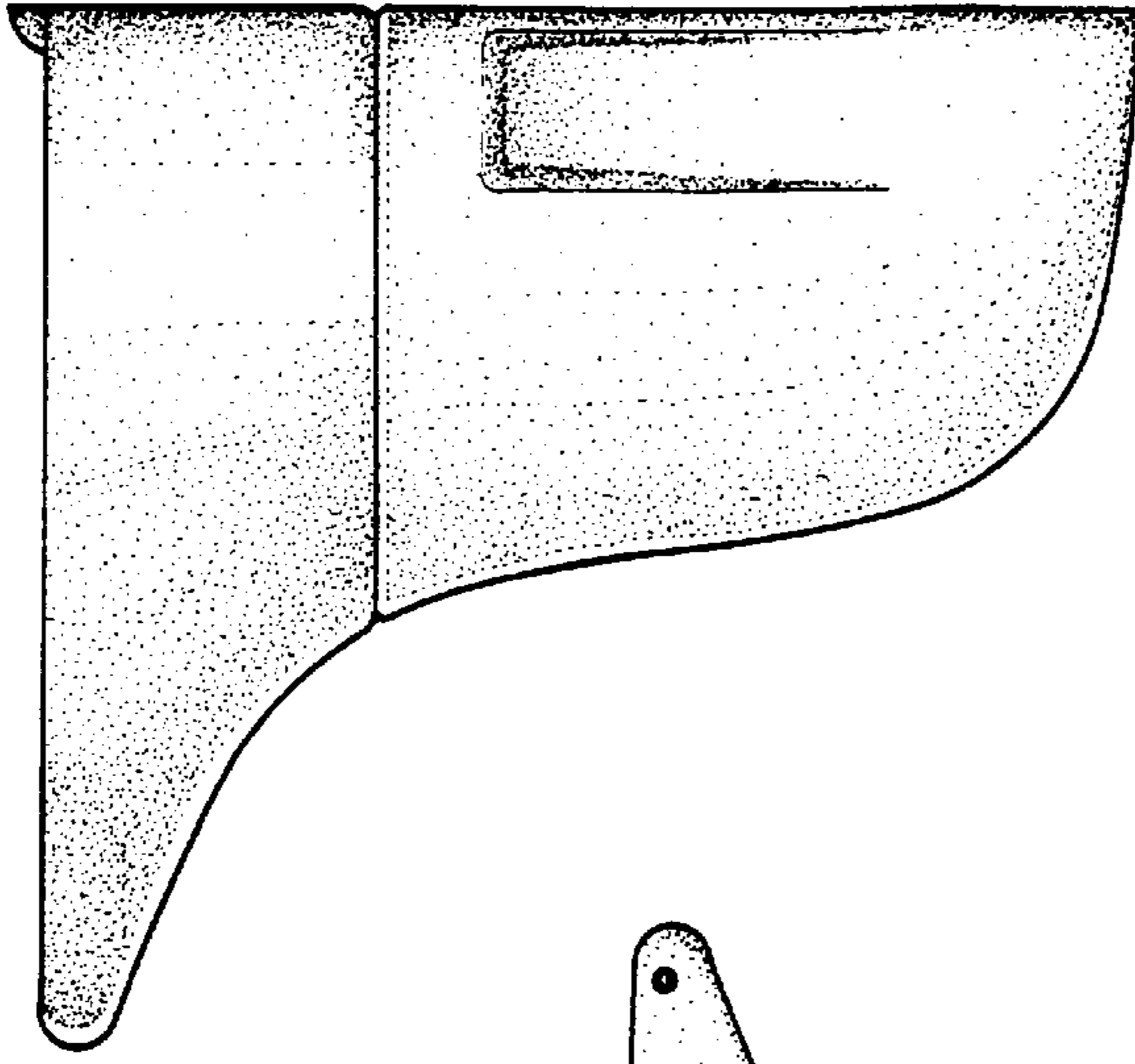


FIG. 4

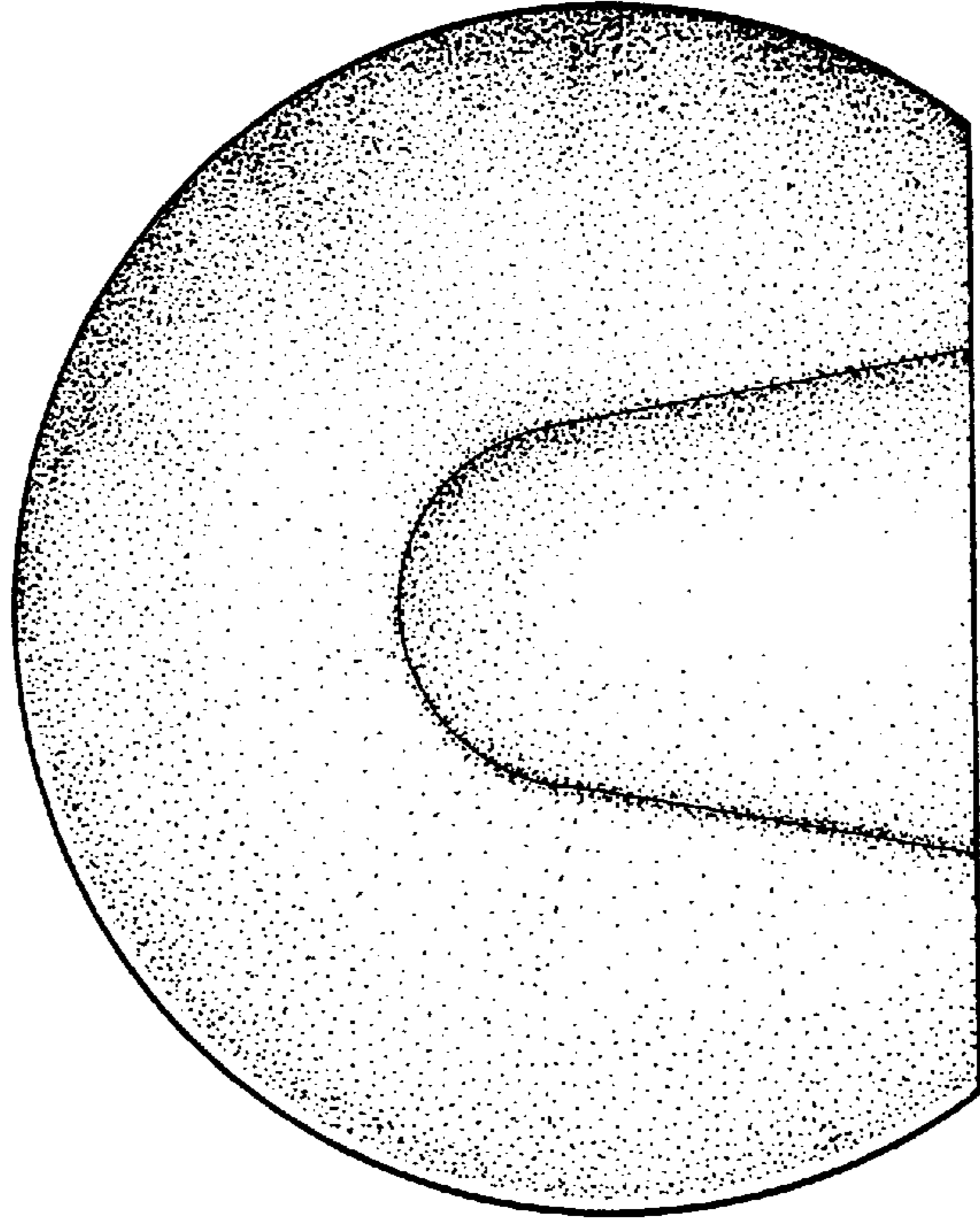


FIG. 6

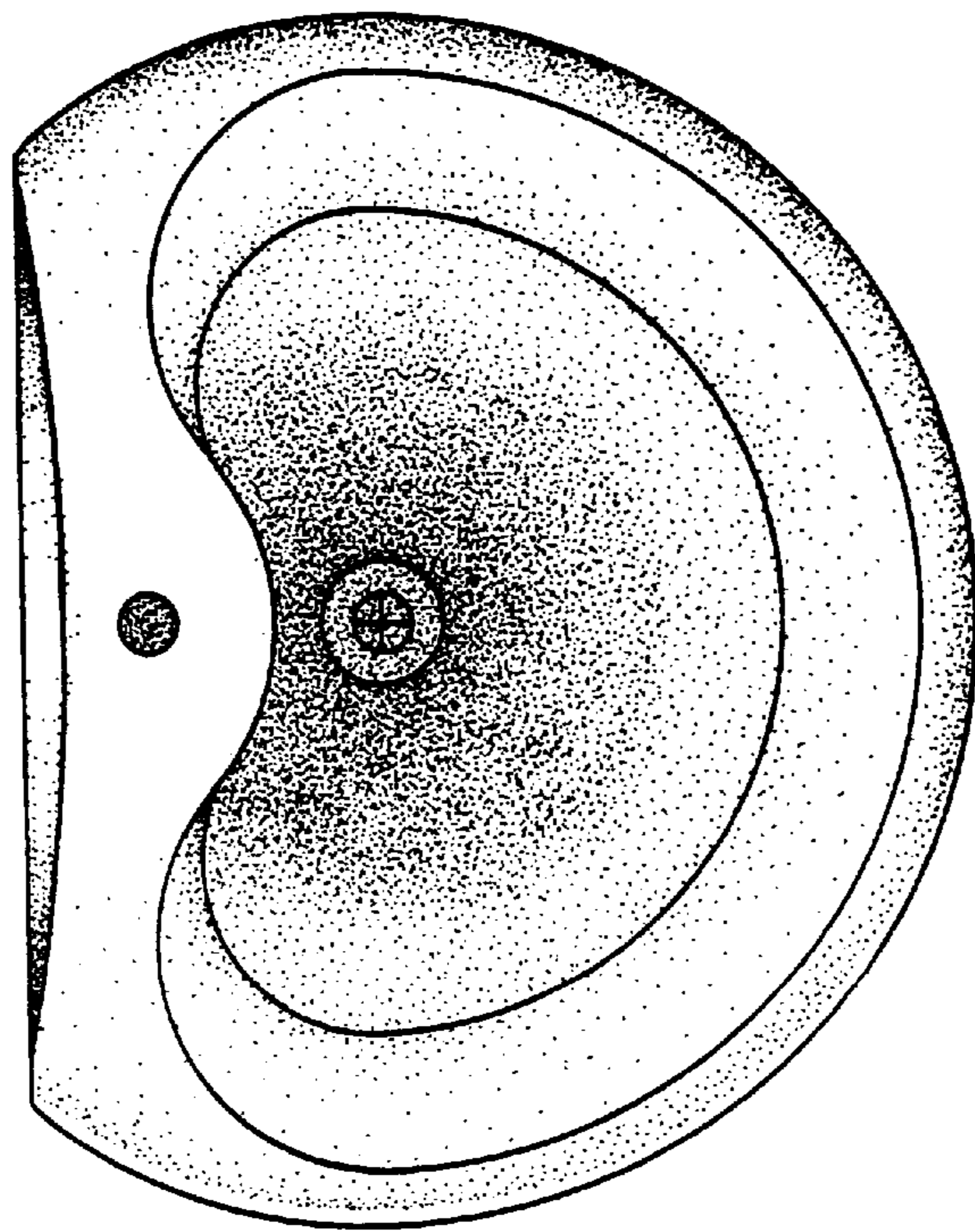


FIG. 5