



US00D411876S

United States Patent [19]

[11] Patent Number: **Des. 411,876**

Hafner et al.

[45] Date of Patent: **** Jul. 6, 1999**

[54] **WASH BASINS**

[57] **CLAIM**

[75] Inventors: **V. Walter Hafner**, Whittier; **Keith D. Marshall**, West Covina, both of Calif.

The ornamental design for wash basins.

[73] Assignee: **Acorn Engineering Co.**, Industry, Calif.

DESCRIPTION

[**] Term: **14 Years**

FIG. 1 is a top, front, and left side perspective view of wash basins, showing my new design;

[21] Appl. No.: **29/084,682**

FIG. 2 is a perspective view showing the top front and left side thereof;

[22] Filed: **Mar. 9, 1998**

FIG. 3 is a right side view thereof;

[51] **LOC (6) Cl.** **23-02**

FIG. 4 is a top view thereof;

[52] **U.S. Cl.** **D23/290**

FIG. 5 is a front view thereof;

[58] **Field of Search** D23/270-278,
D23/284-288; 4/619, 623-650

FIG. 6 is a bottom view thereof;

FIG. 7 is a top, front, and left side perspective view of a second embodiment, showing my new design;

[56] **References Cited**

U.S. PATENT DOCUMENTS

805,118	11/1905	Chamberlain	4/638
937,509	10/1909	Carpenter	4/639
951,597	3/1910	Conraot	4/639
1,323,398	12/1919	Leland	226/49
3,069,694	12/1962	McCormack	4/640
5,611,093	3/1997	Barnum et al.	4/624

FIG. 8 is a top view of the two-station wash basin of FIG. 7;

FIG. 9 is a right side view of the wash basin of FIG. 7;

FIG. 10 is a front view of the wash basin of FIG. 7;

FIG. 11 is a bottom view of the wash basin of FIG. 7;

FIG. 12 is a top, front, and left side perspective view of a third embodiment, showing my new design;

FIG. 13 is a top view thereof;

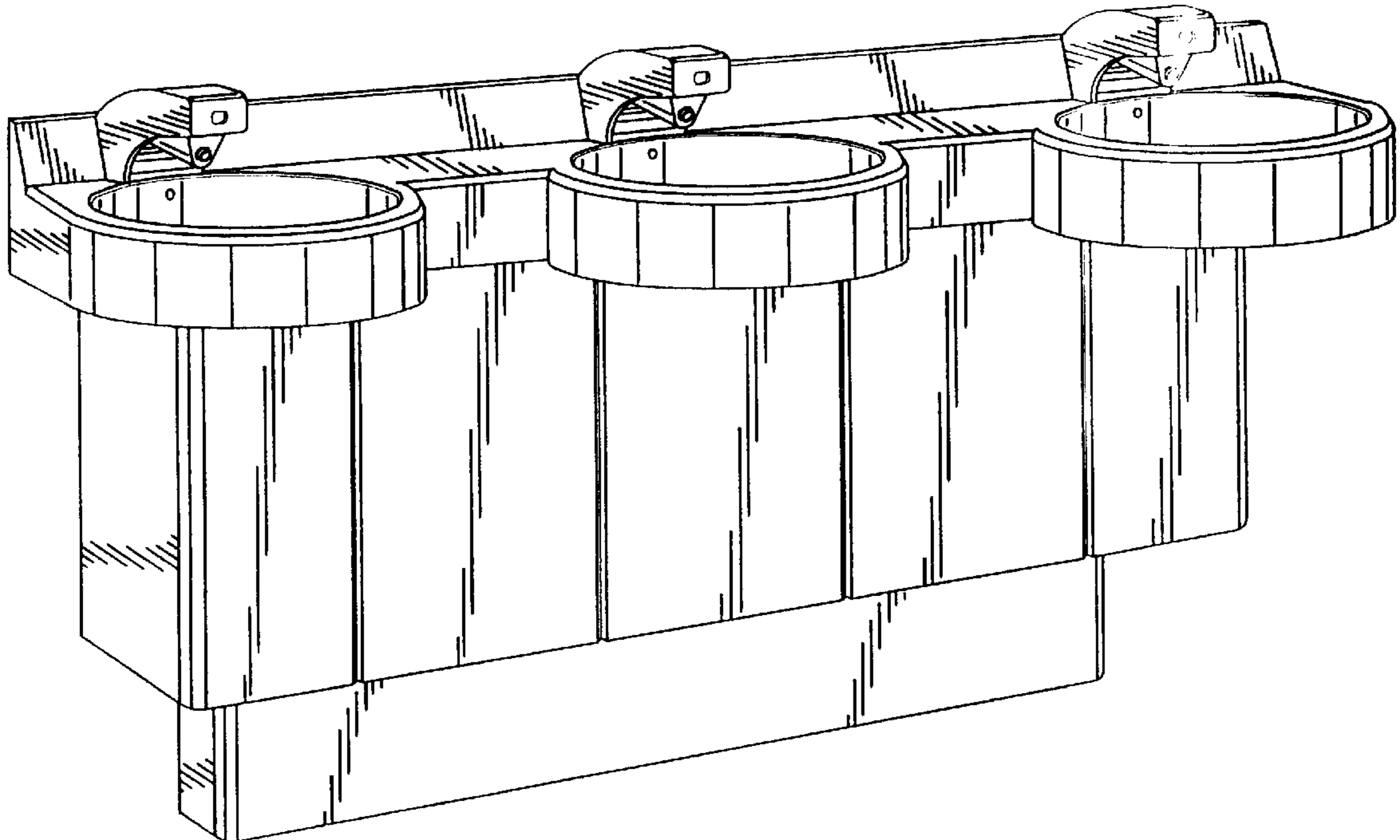
FIG. 14 is a right side view thereof;

FIG. 15 is a front view thereof; and,

FIG. 16 is a bottom view thereof.

Primary Examiner—Louis S. Zarfaz
Assistant Examiner—Eric M. Watterson
Attorney, Agent, or Firm—Edgar W. Averill, Jr.

1 Claim, 4 Drawing Sheets



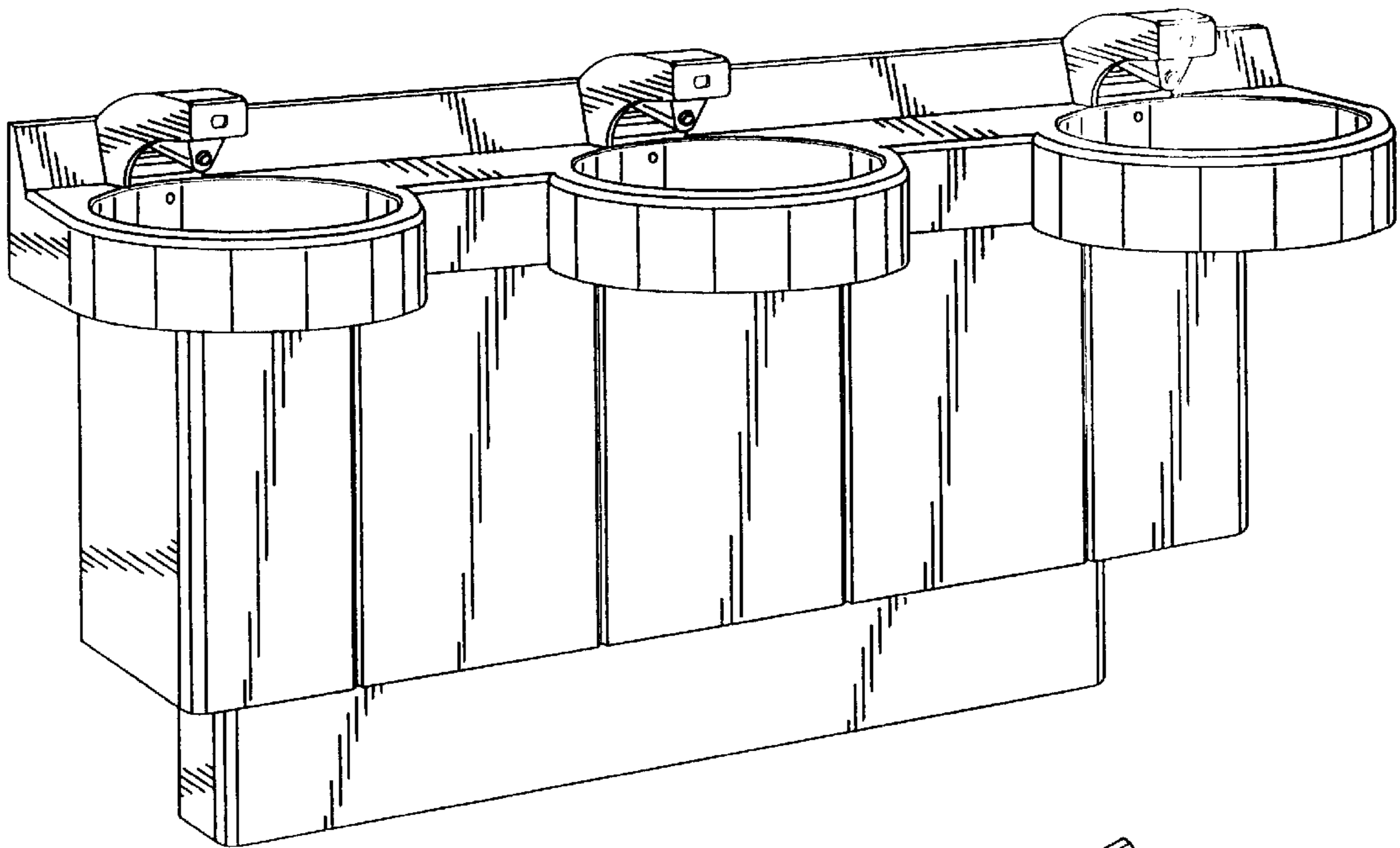


FIG. 1

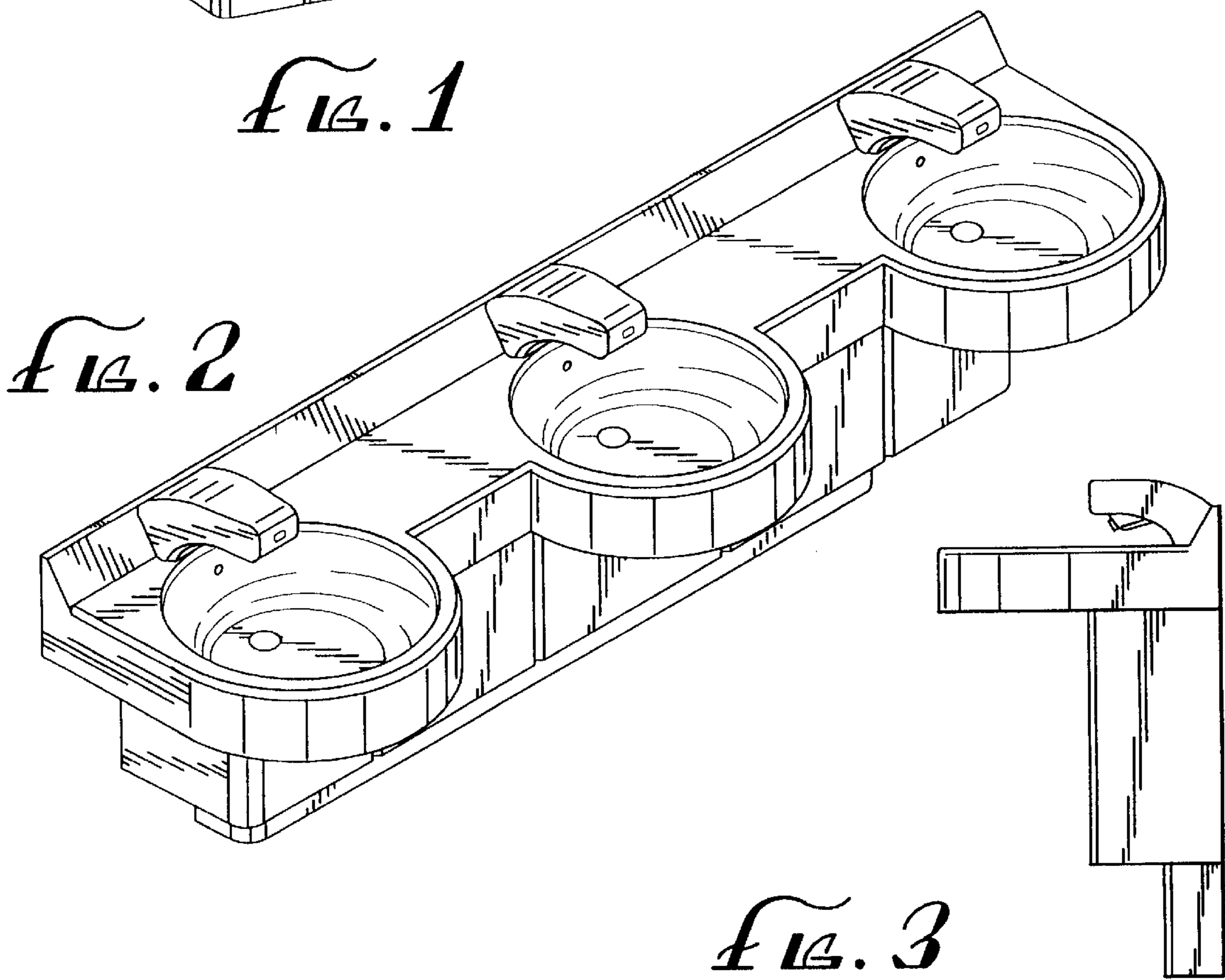


FIG. 2

FIG. 3

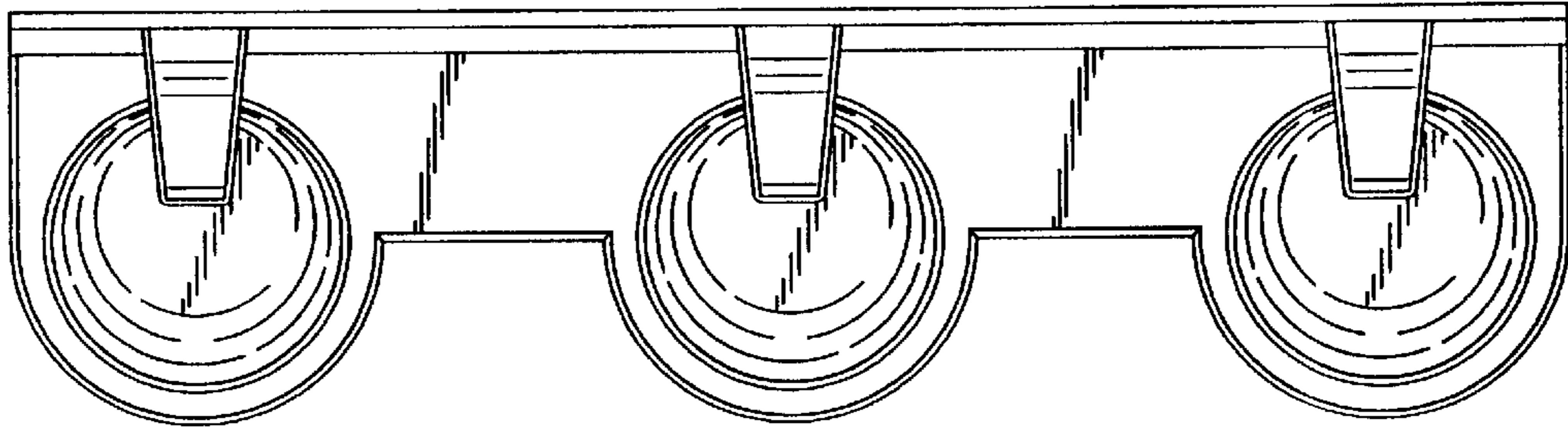


FIG. 4

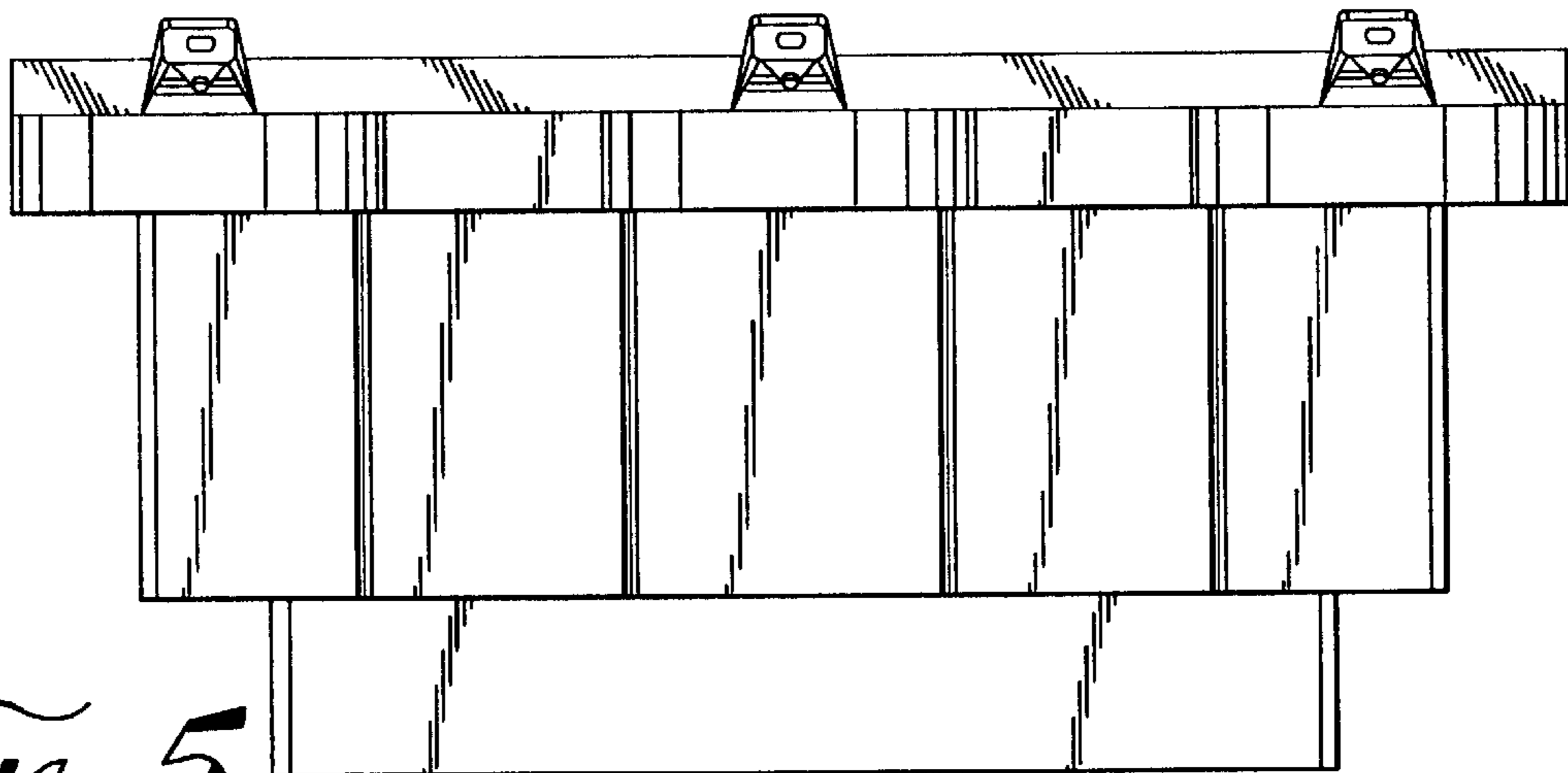


FIG. 5

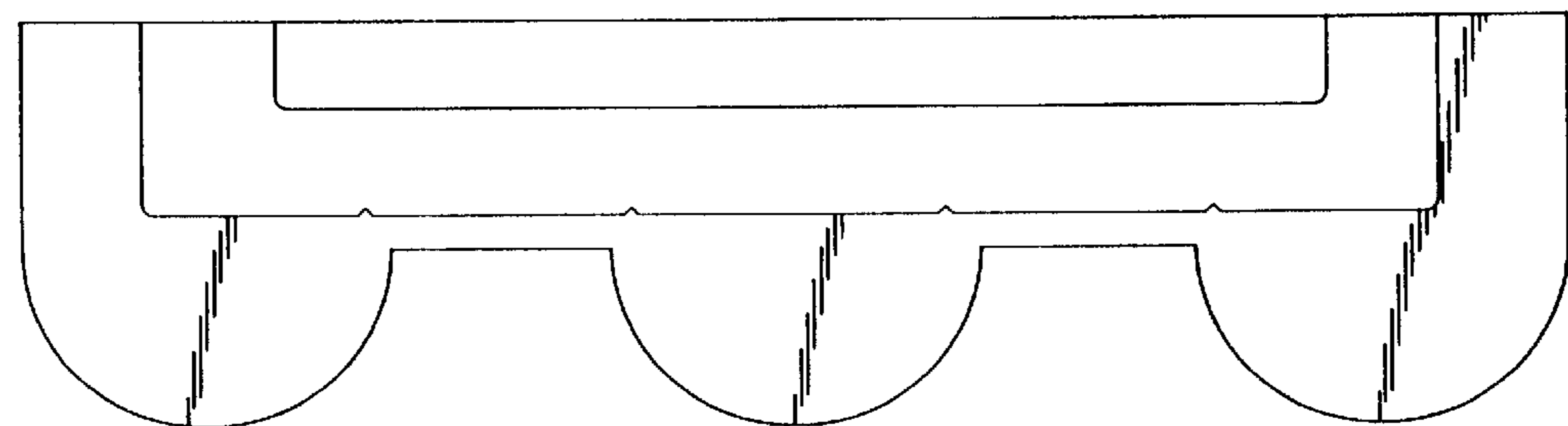


FIG. 6

FIG. 7

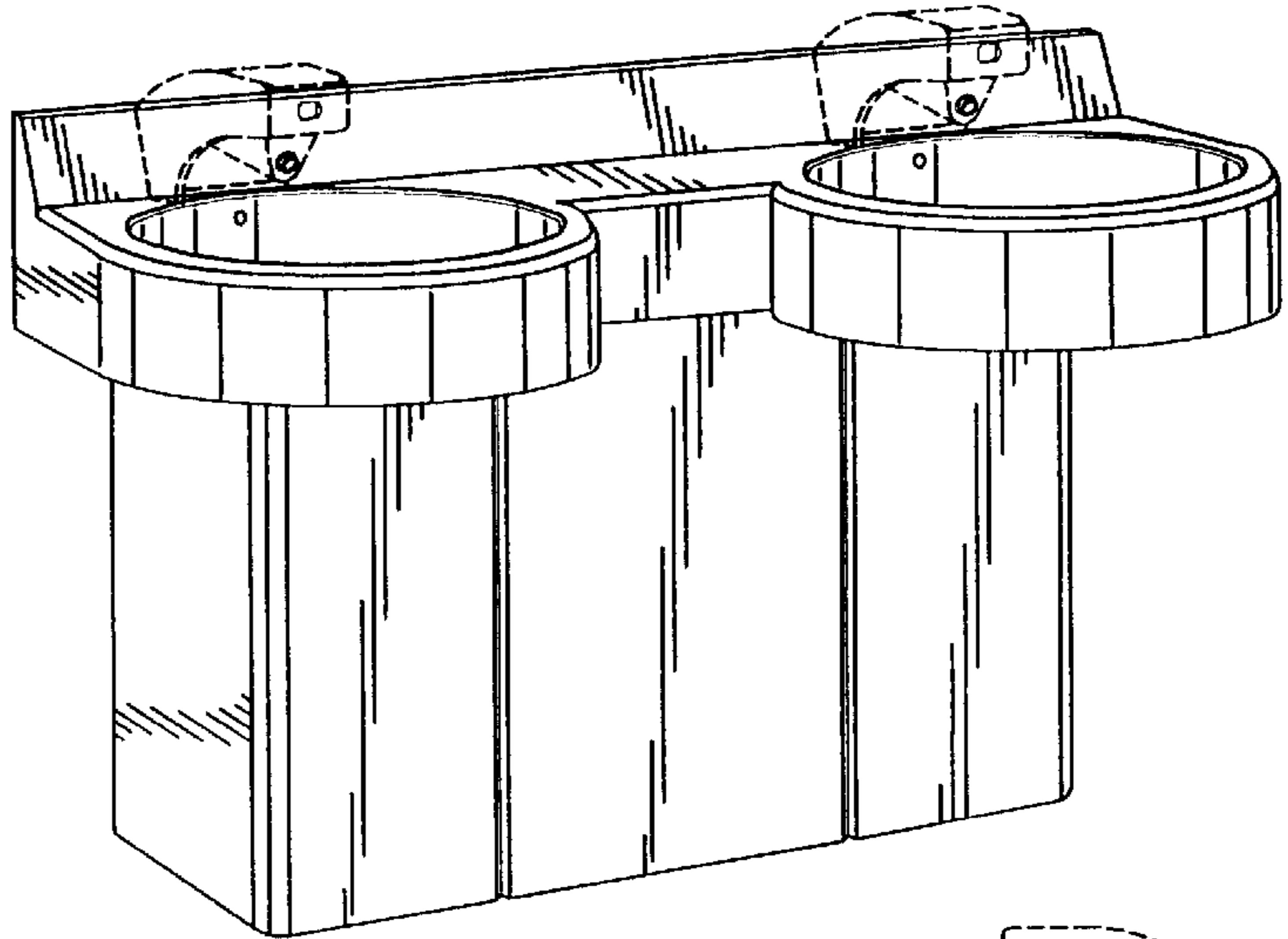


FIG. 8

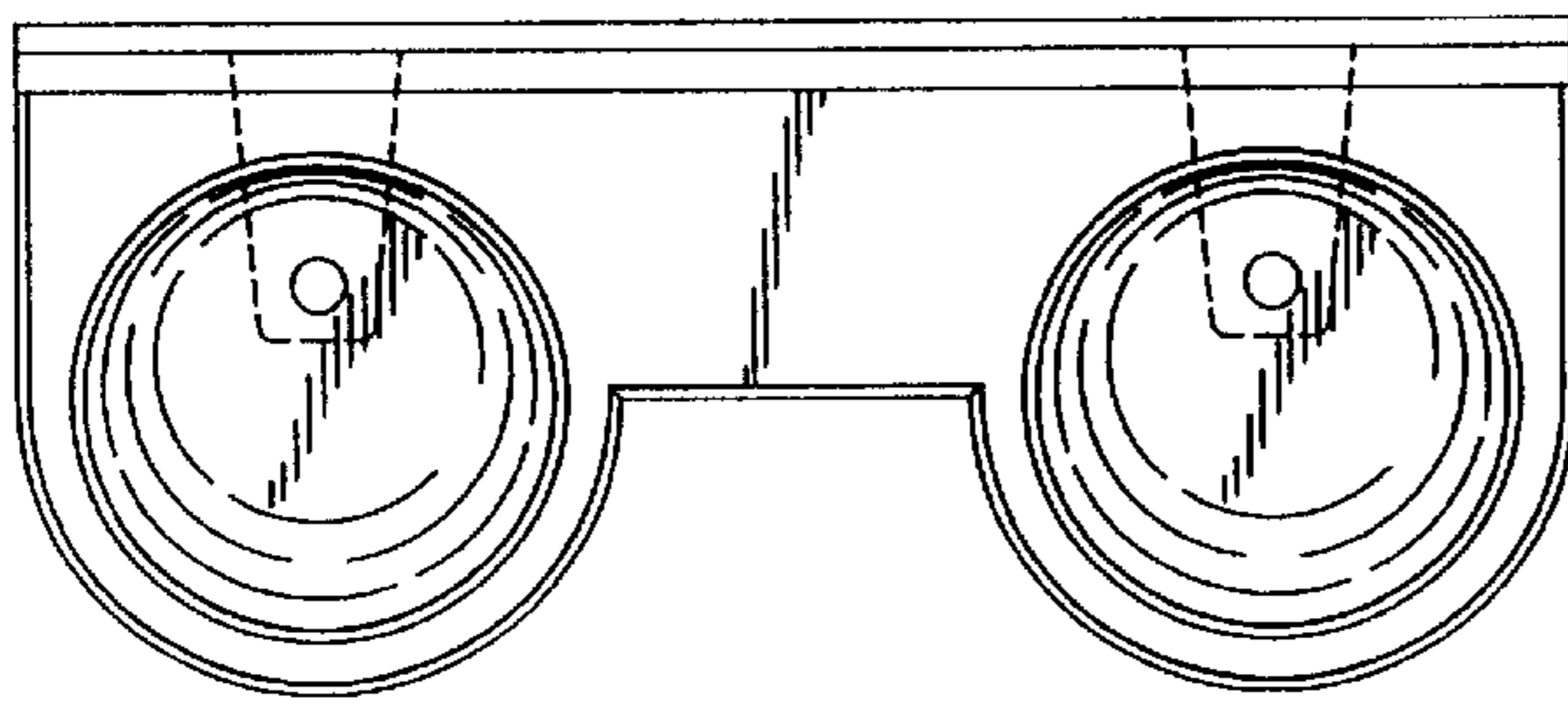


FIG. 9

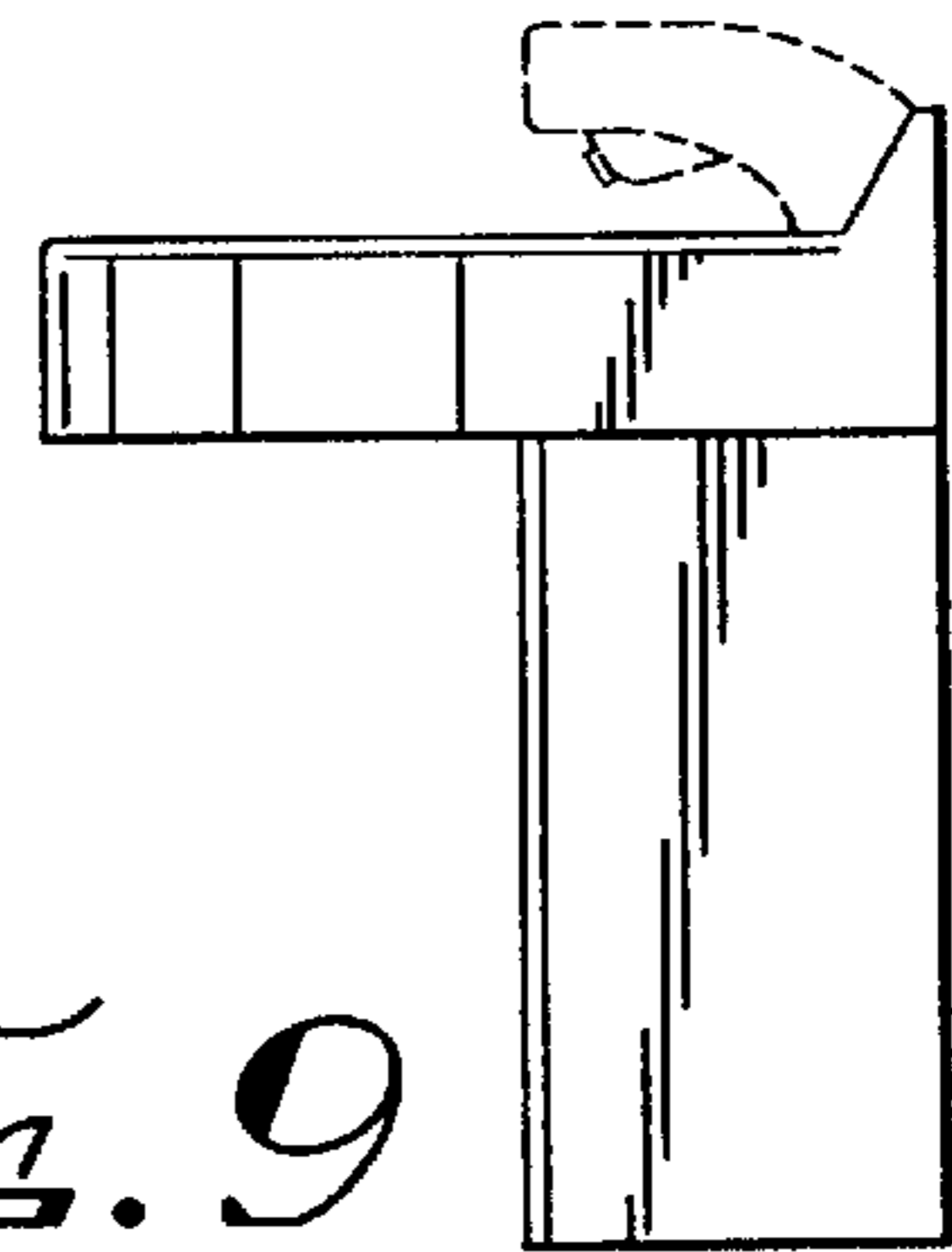


FIG. 11

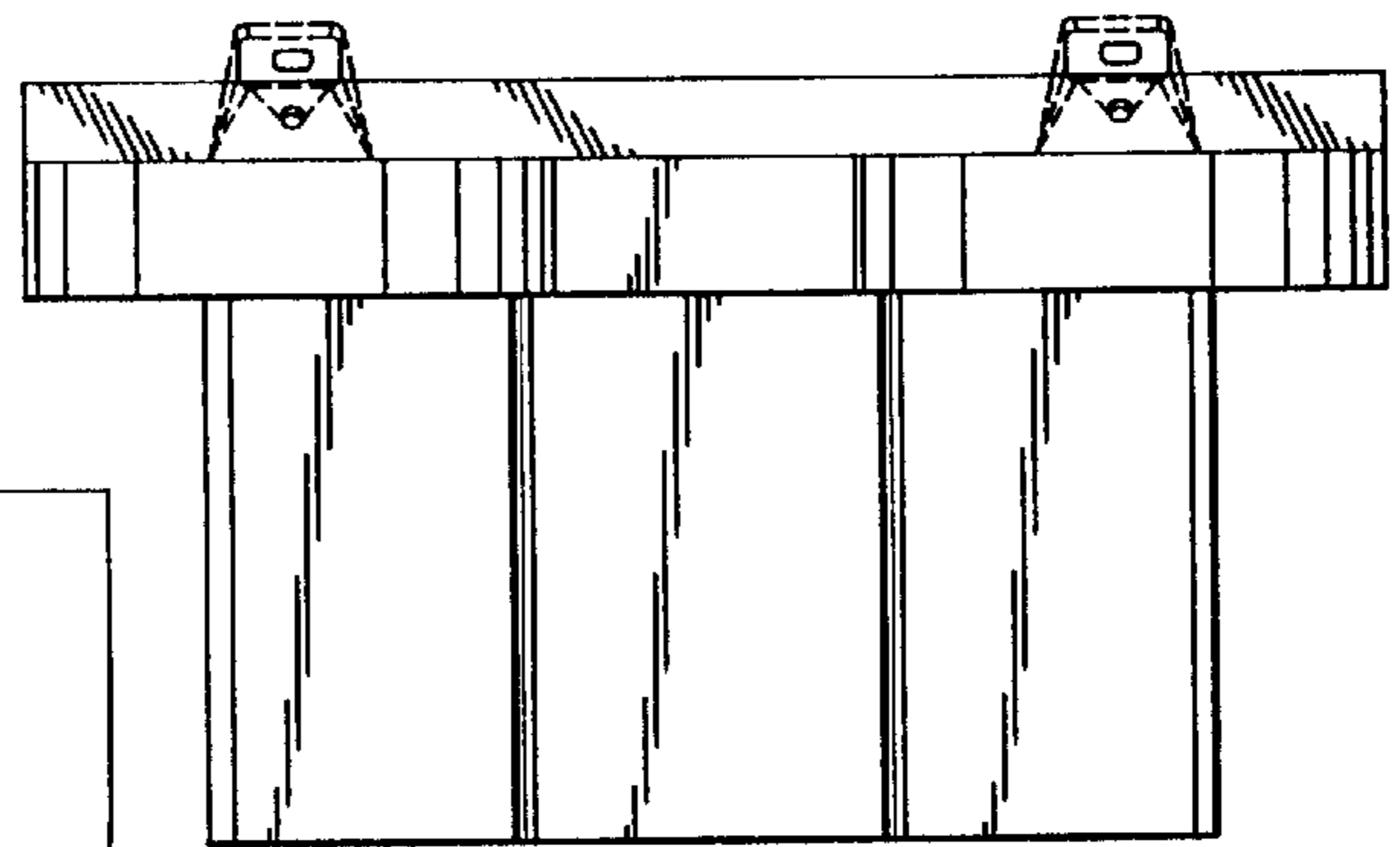
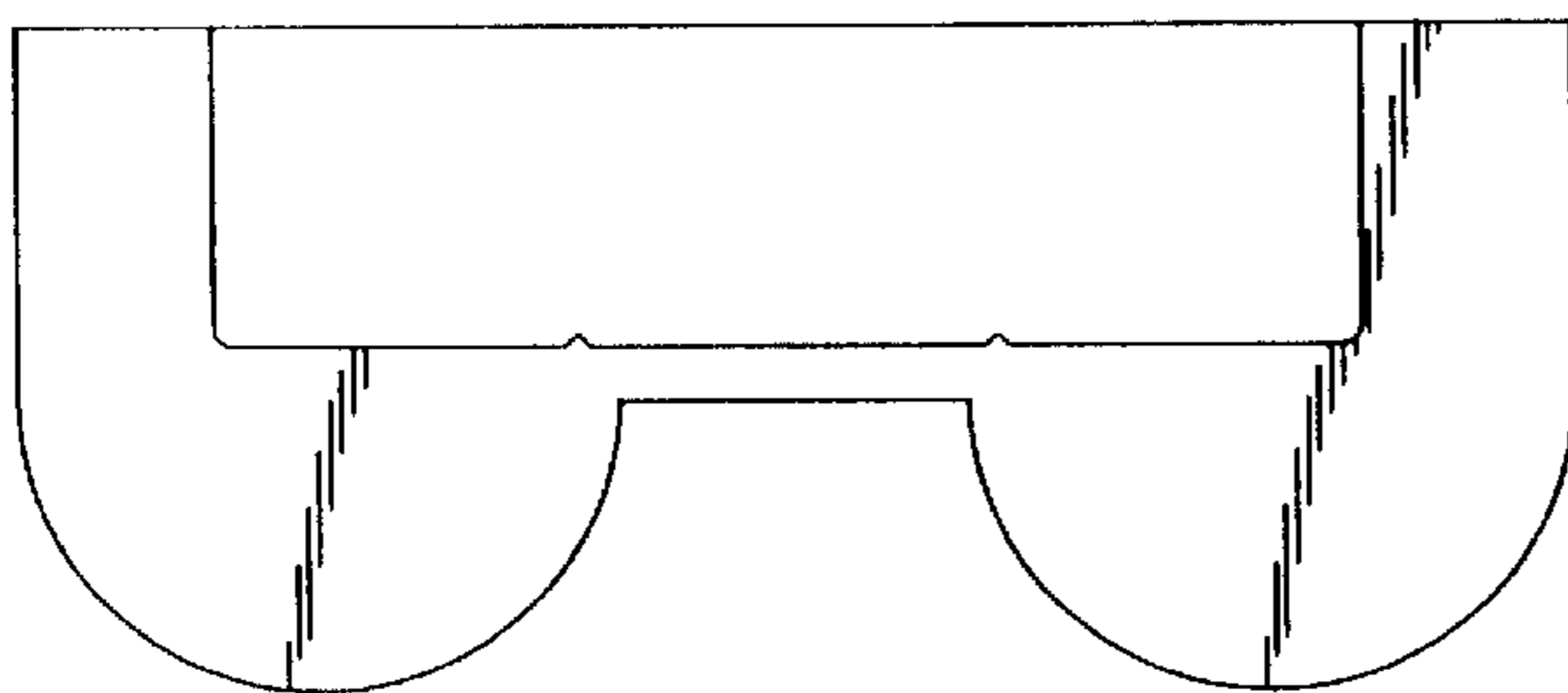


FIG. 10

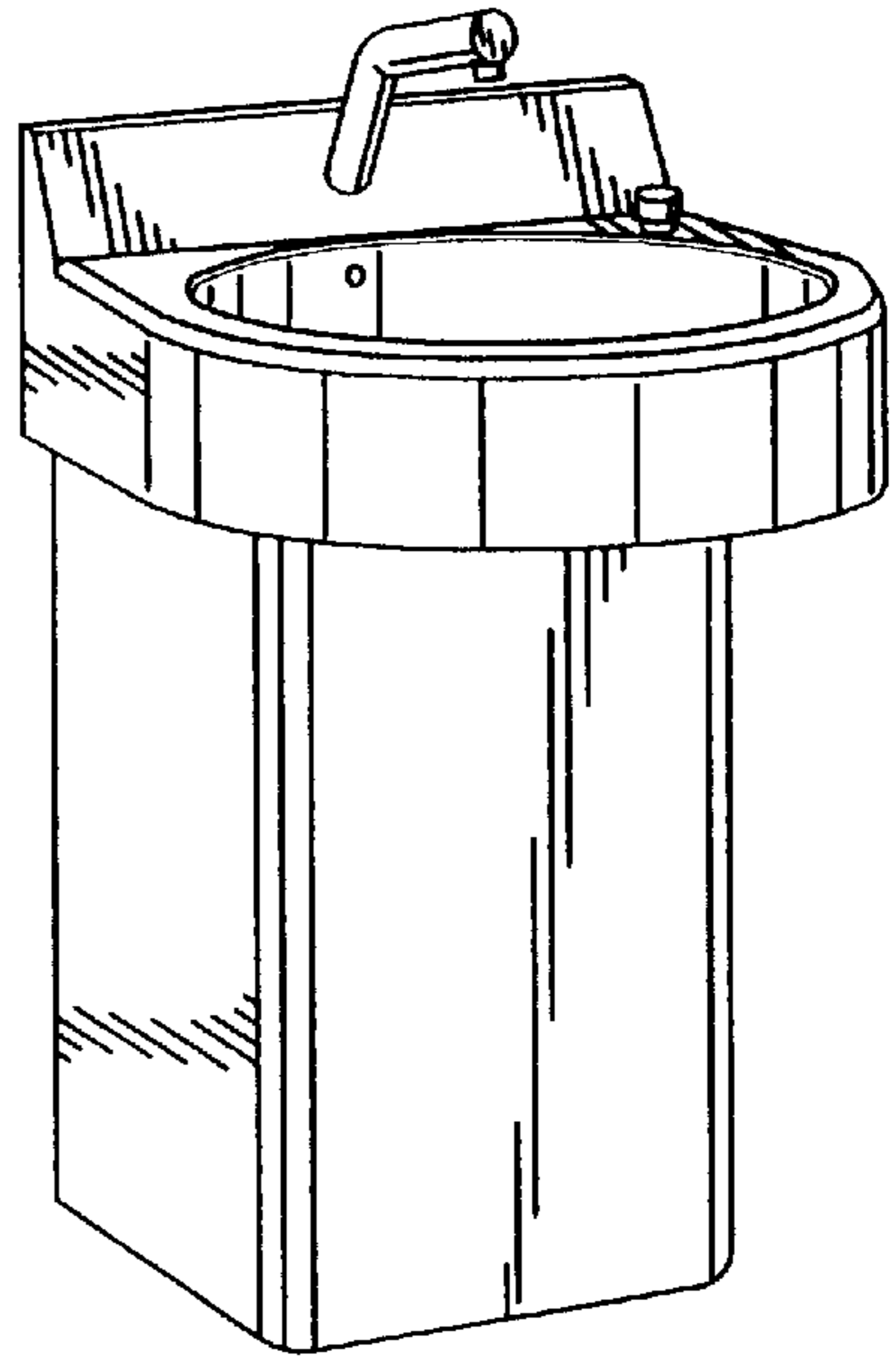


FIG. 12

FIG. 13

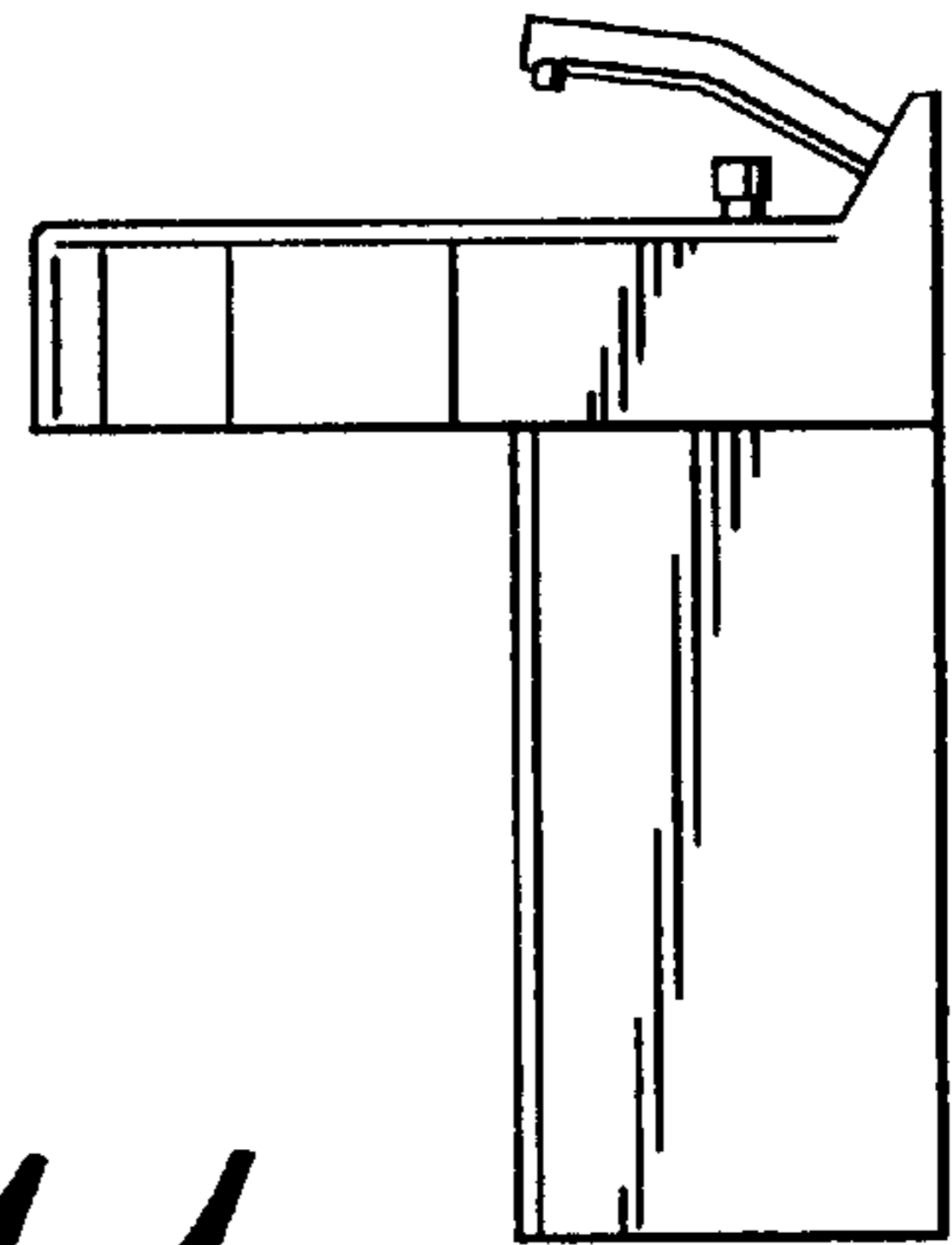
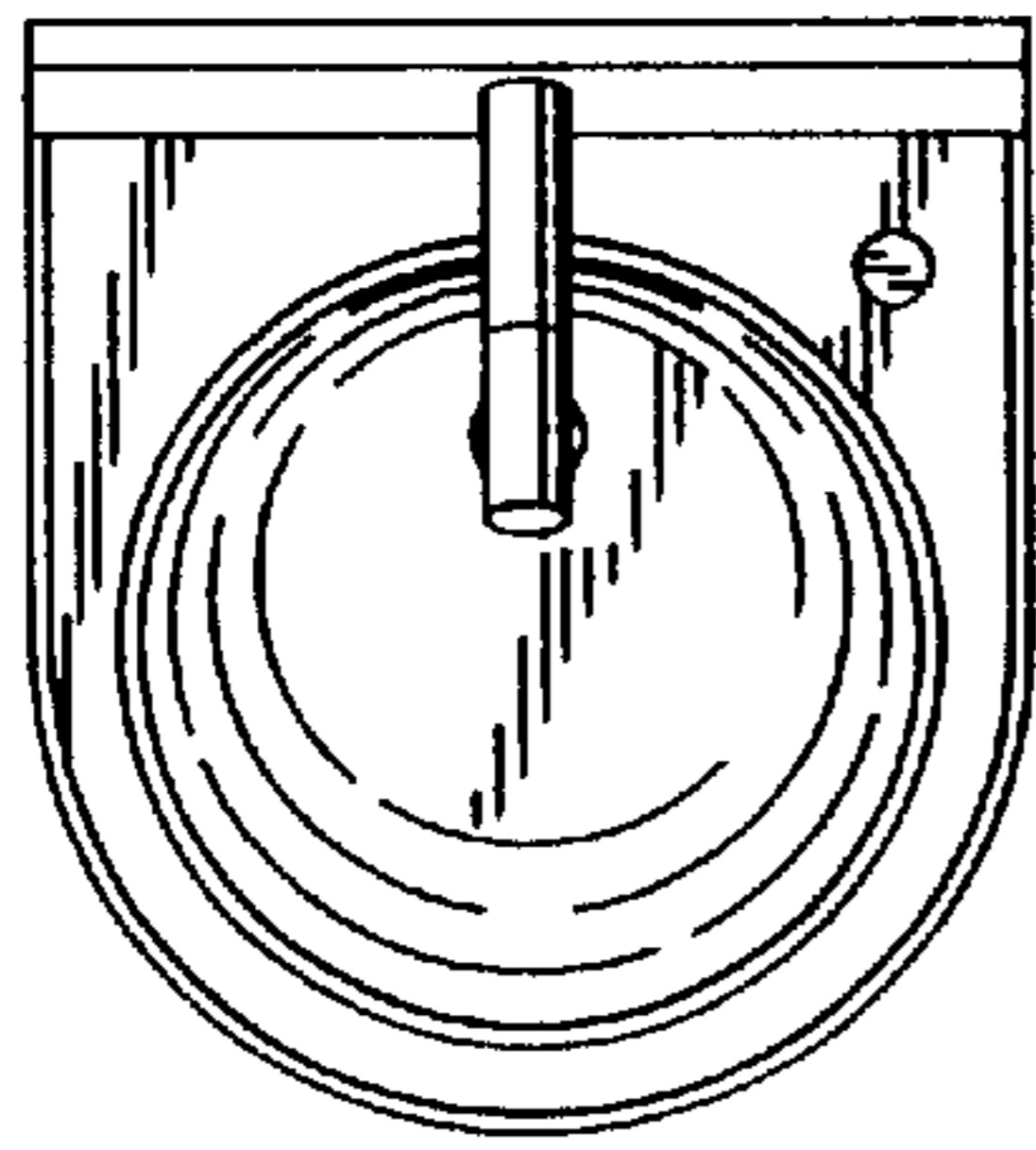


FIG. 14

FIG. 15

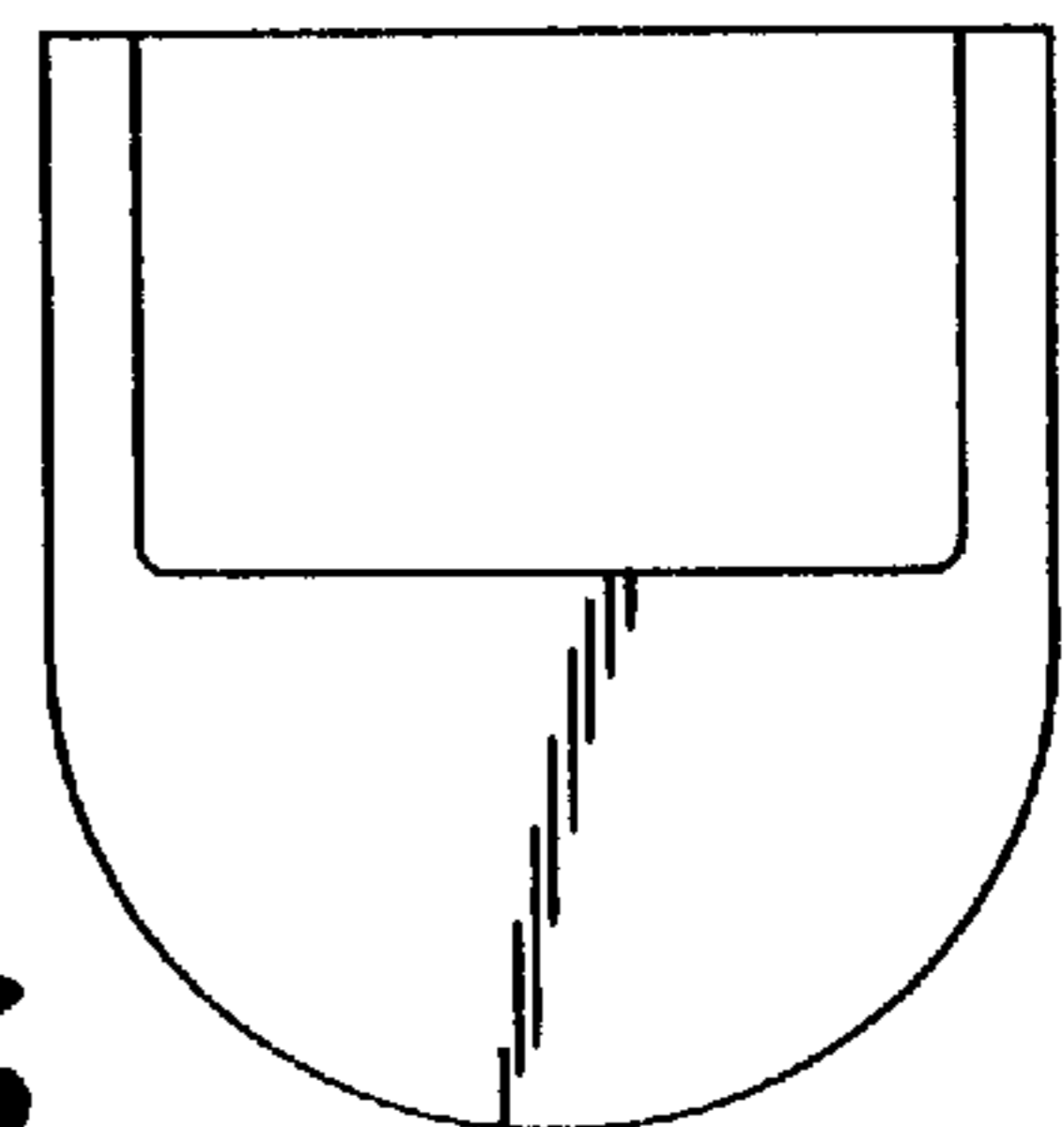
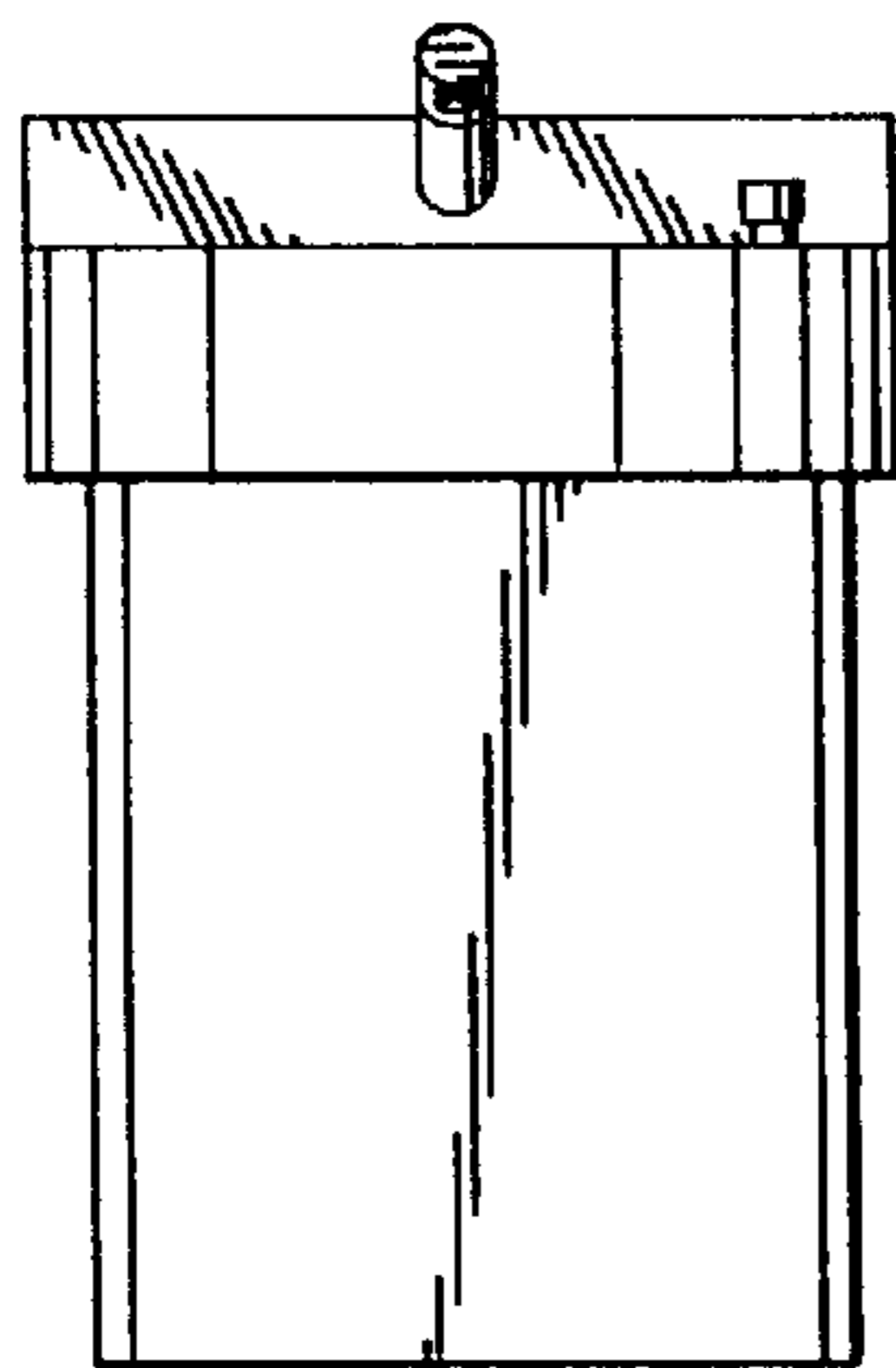


FIG. 16