



US00D411874S

United States Patent [19] Ko

[11] **Patent Number: Des. 411,874**

[45] **Date of Patent: ** Jul. 6, 1999**

[54] **WALL MOUNTED FAUCET**

[75] Inventor: **Hsi-Chia Ko**, Changhua Hsien, Taiwan

[73] Assignee: **Chung Cheng Faucet Co., Ltd.**,
Changhua Hsien, Taiwan

[**] Term: **14 Years**

[21] Appl. No.: **29/093,060**

[22] Filed: **Sep. 2, 1998**

[51] **LOC (6) Cl.** **23-01**

[52] **U.S. Cl.** **D23/255**

[58] **Field of Search** D23/238-293,
D23/250-257, 300-311; 4/191, 192, 567-615,
675-678

[56] **References Cited**

U.S. PATENT DOCUMENTS

D. 353,877	12/1994	Rogers	D23/255
D. 365,143	12/1995	Fabian	D23/255
D. 366,100	1/1996	Doughty et al.	D23/255
D. 373,407	9/1996	Macek et al.	D23/255

Primary Examiner—Louis S. Zarfes
Assistant Examiner—Eric Watterson
Attorney, Agent, or Firm—Bacon & Thomas

[57] **CLAIM**

The ornamental design for “wall mounted faucet”, as shown and described.

DESCRIPTION

FIG. 1 is a perspective view of wall mounted faucet showing my new design.

FIG. 2 is a front view thereof;

FIG. 3 is a rear view thereof;

FIG. 4 is a left side view thereof, the right side is identical;

FIG. 5 is a top view thereof; and

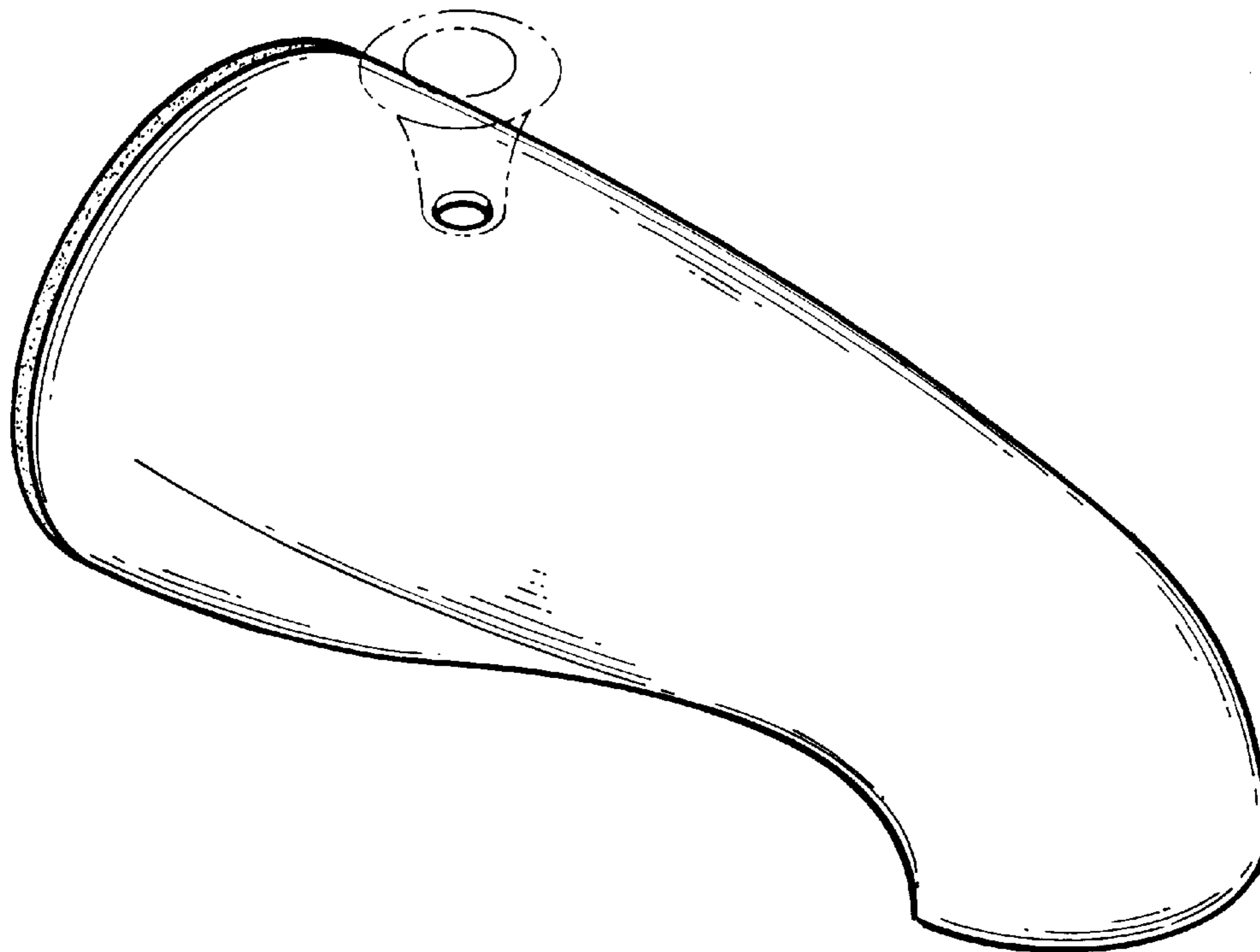
FIG. 6 is a bottom view thereof.

FIG. 7 is a perspective view thereof with a section line indicated; and,

FIG. 8 is a cross-sectional view taken along line 8—8 of FIG. 7 .

The broken line showing is for illustrative purposes only and forms no part of the claimed design.

1 Claim, 3 Drawing Sheets



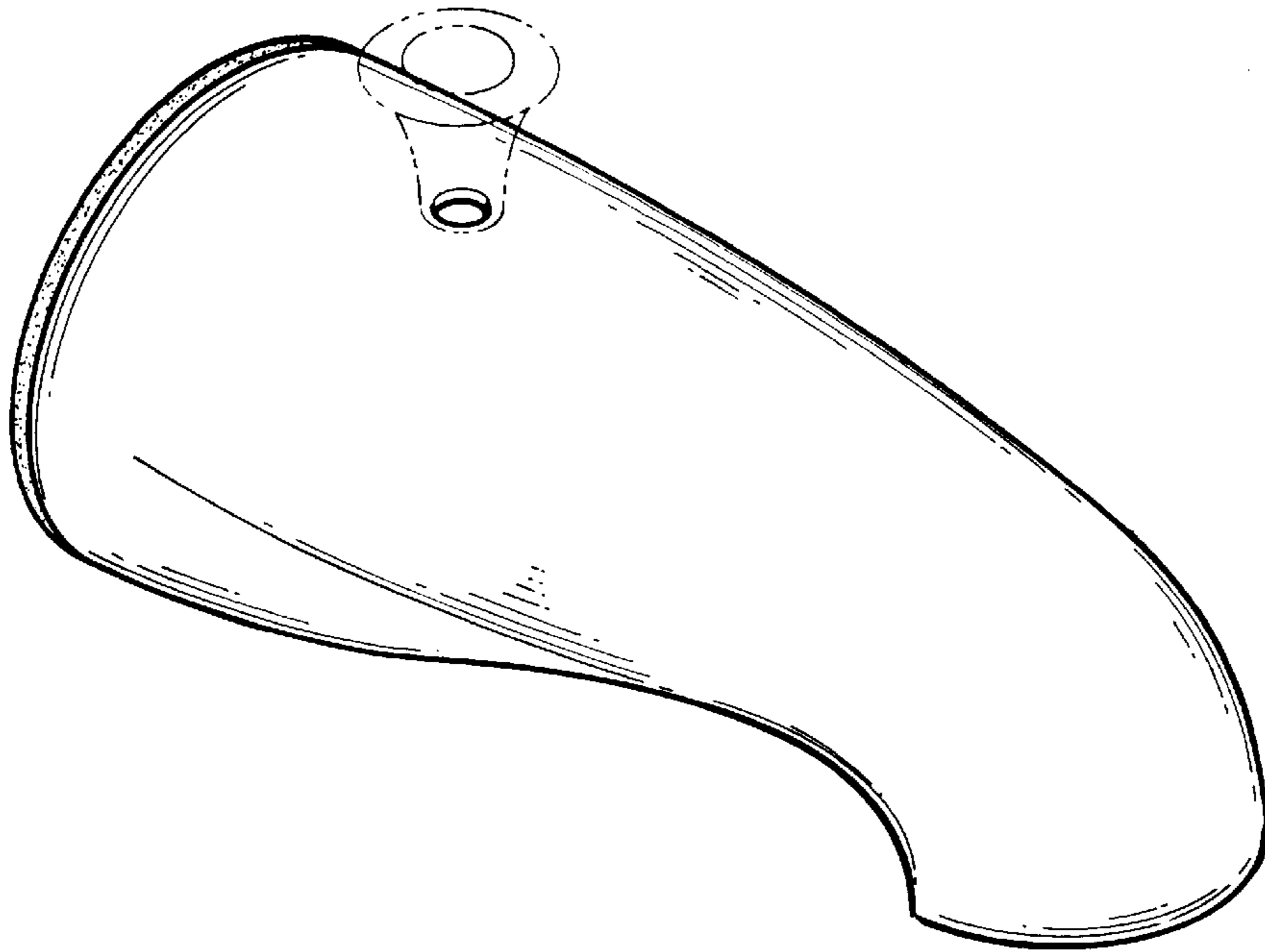


FIG. 1

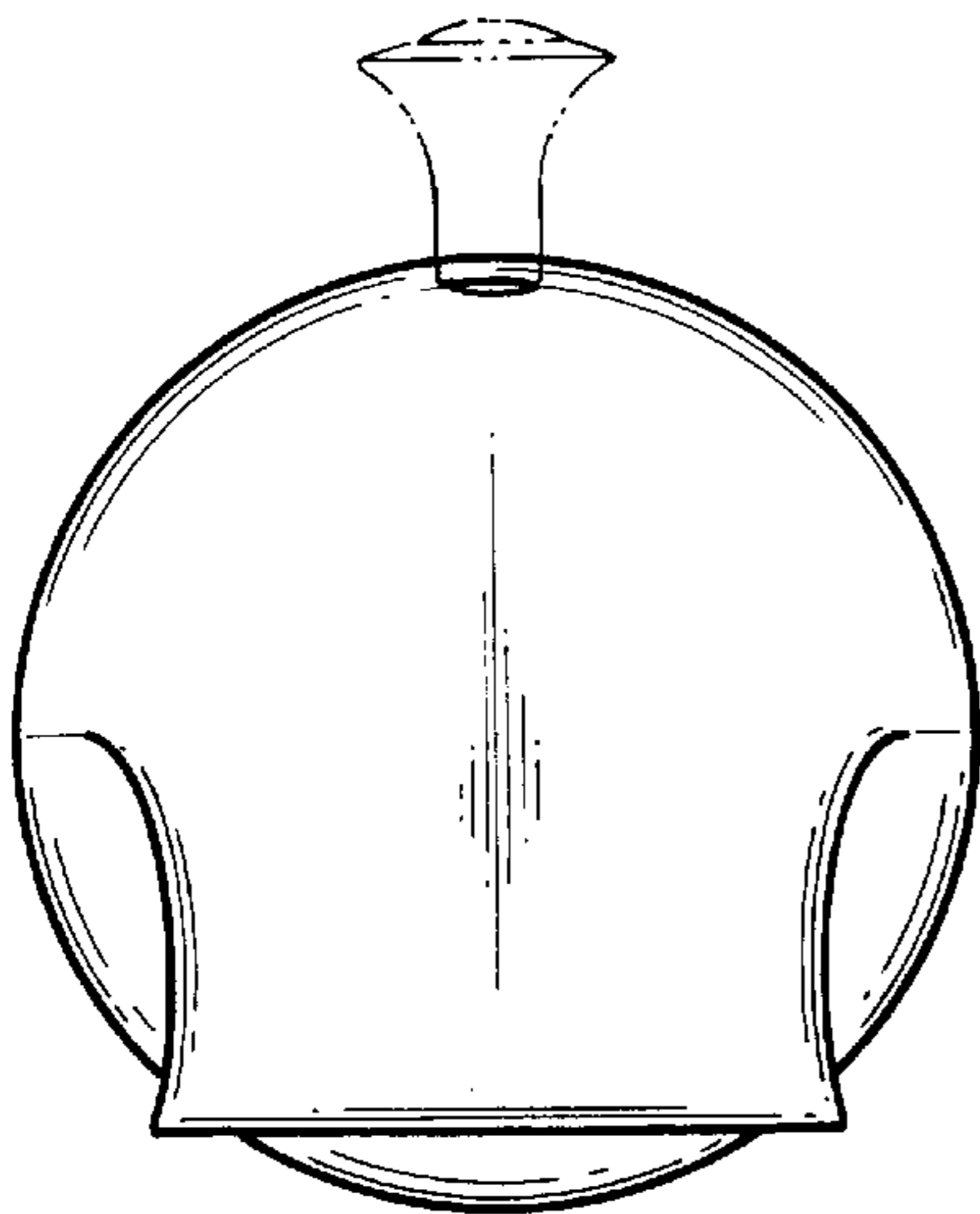


FIG. 2

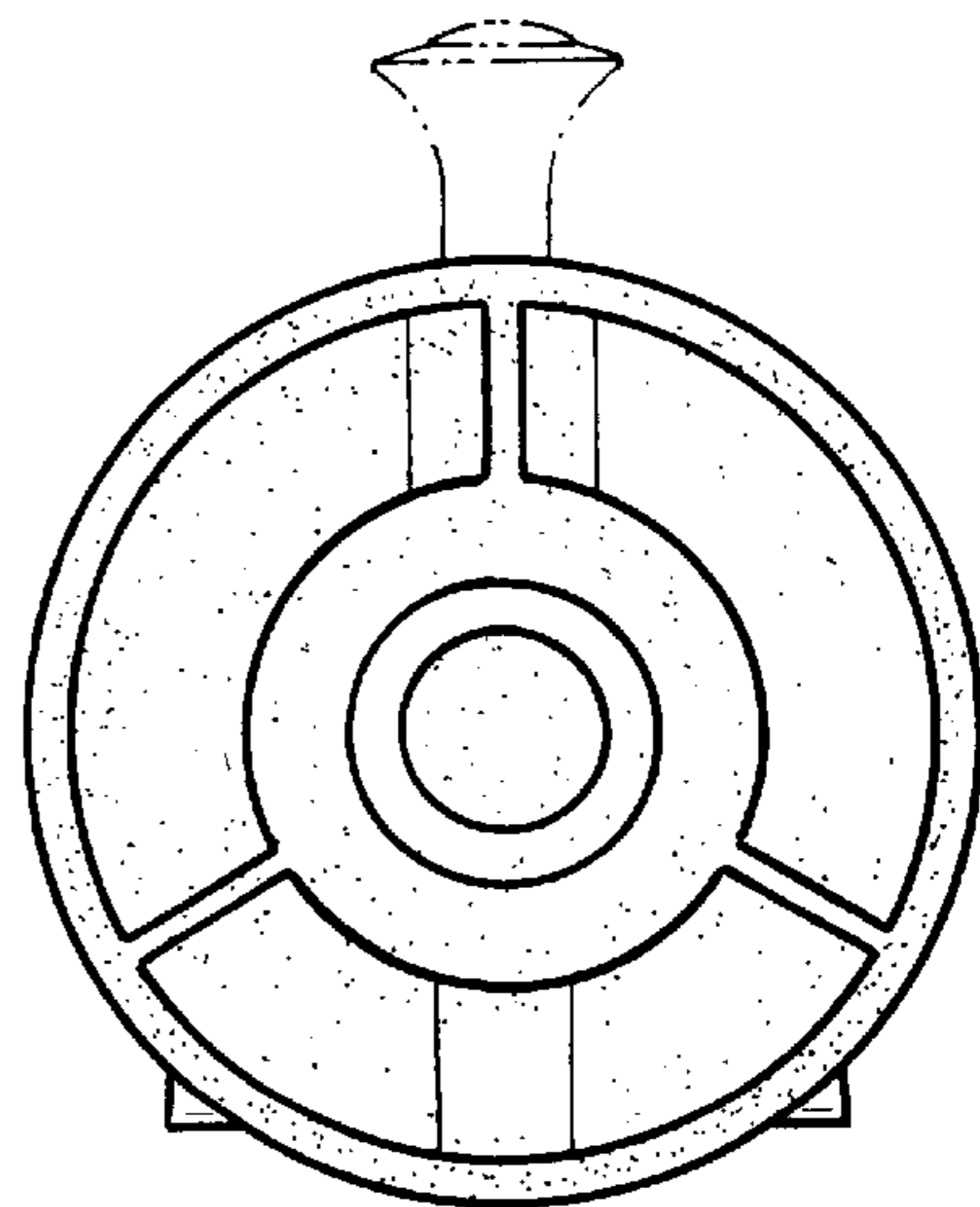


FIG. 3

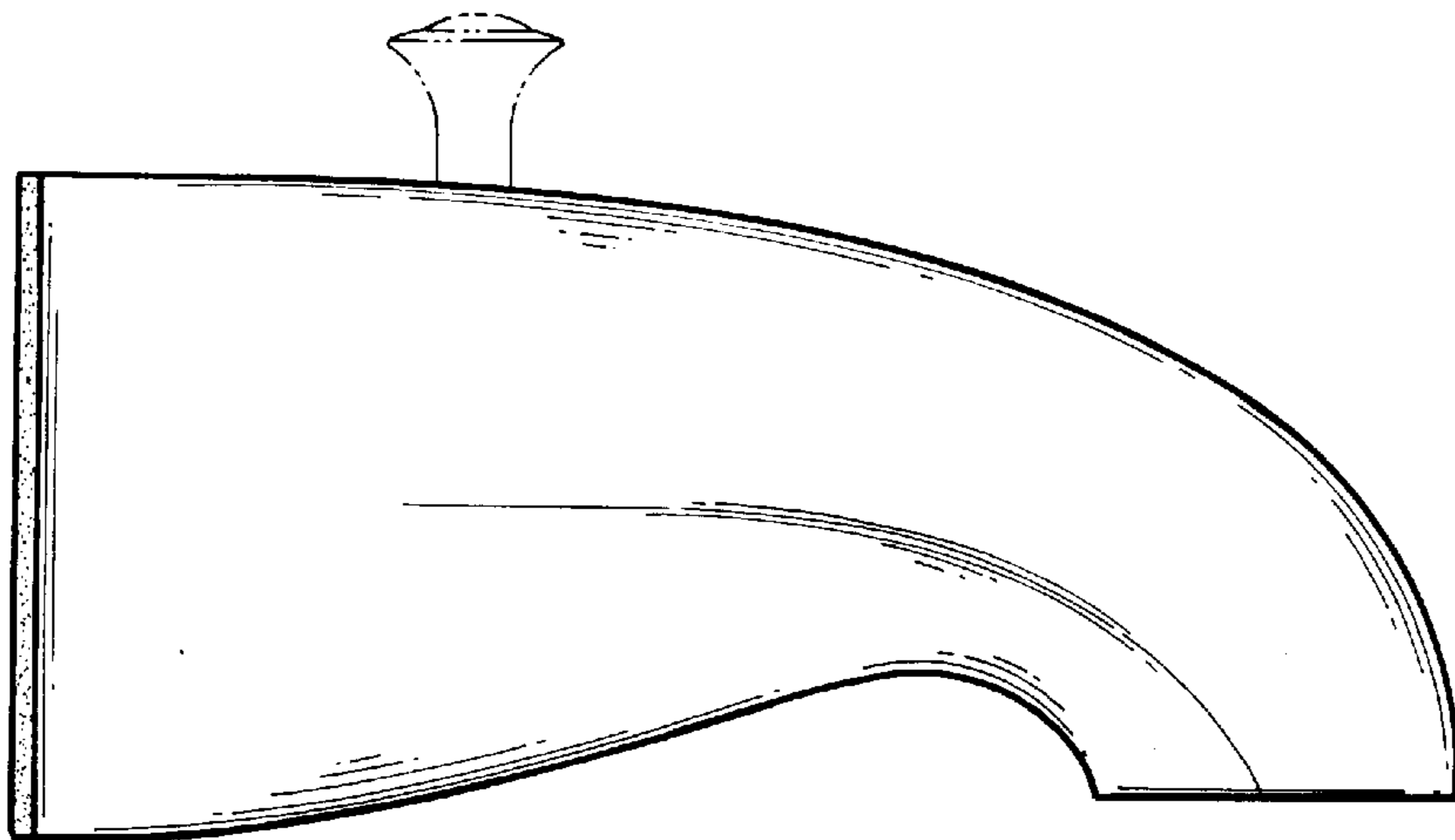


FIG. 4

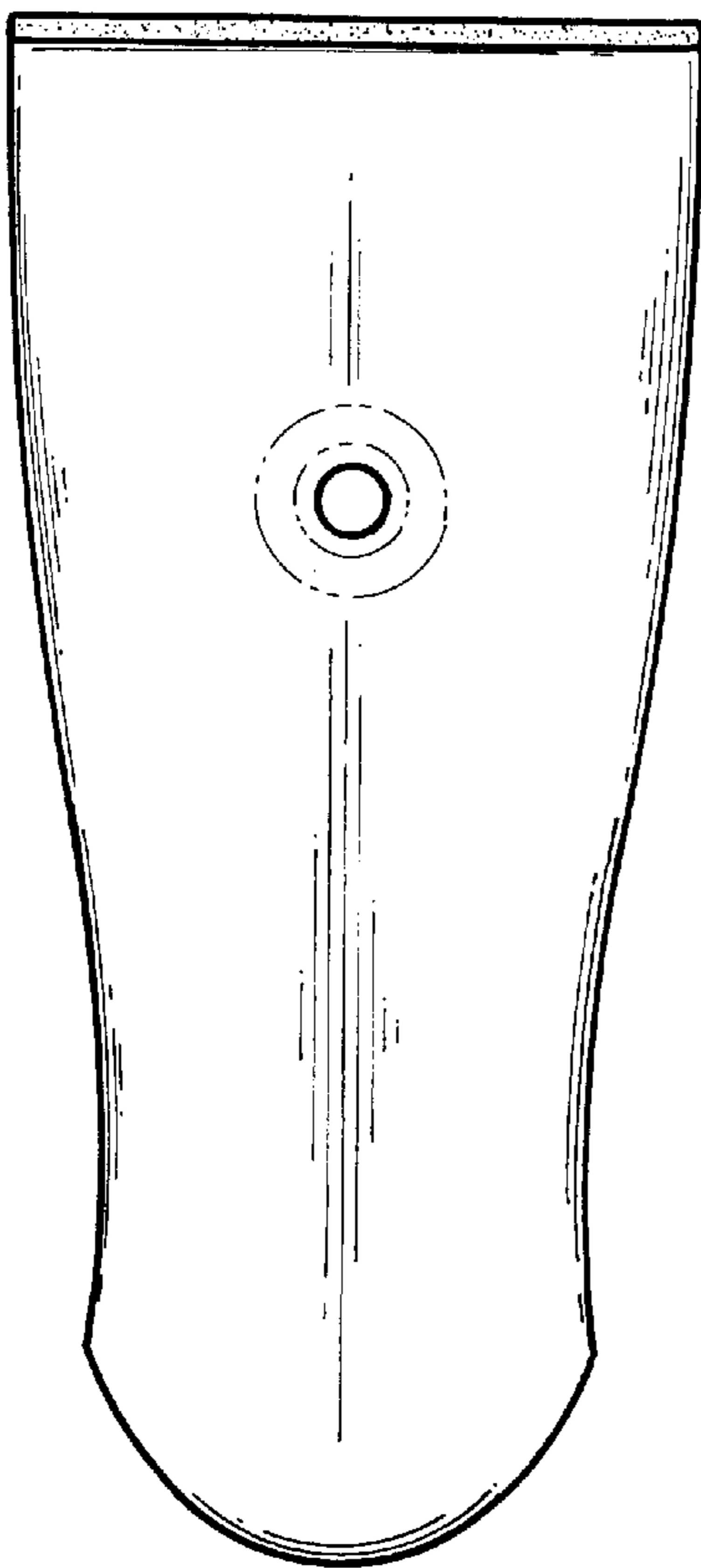


FIG. 5

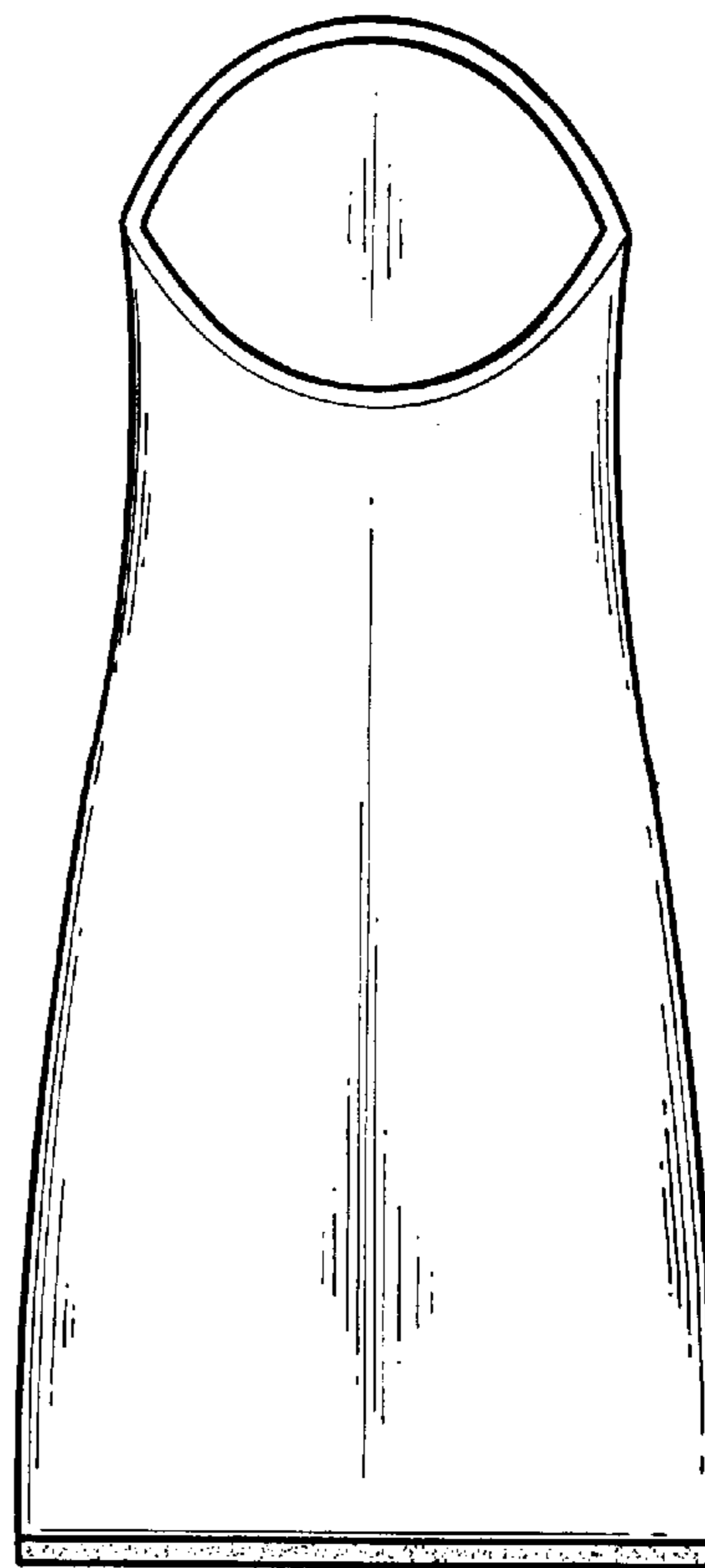


FIG. 6

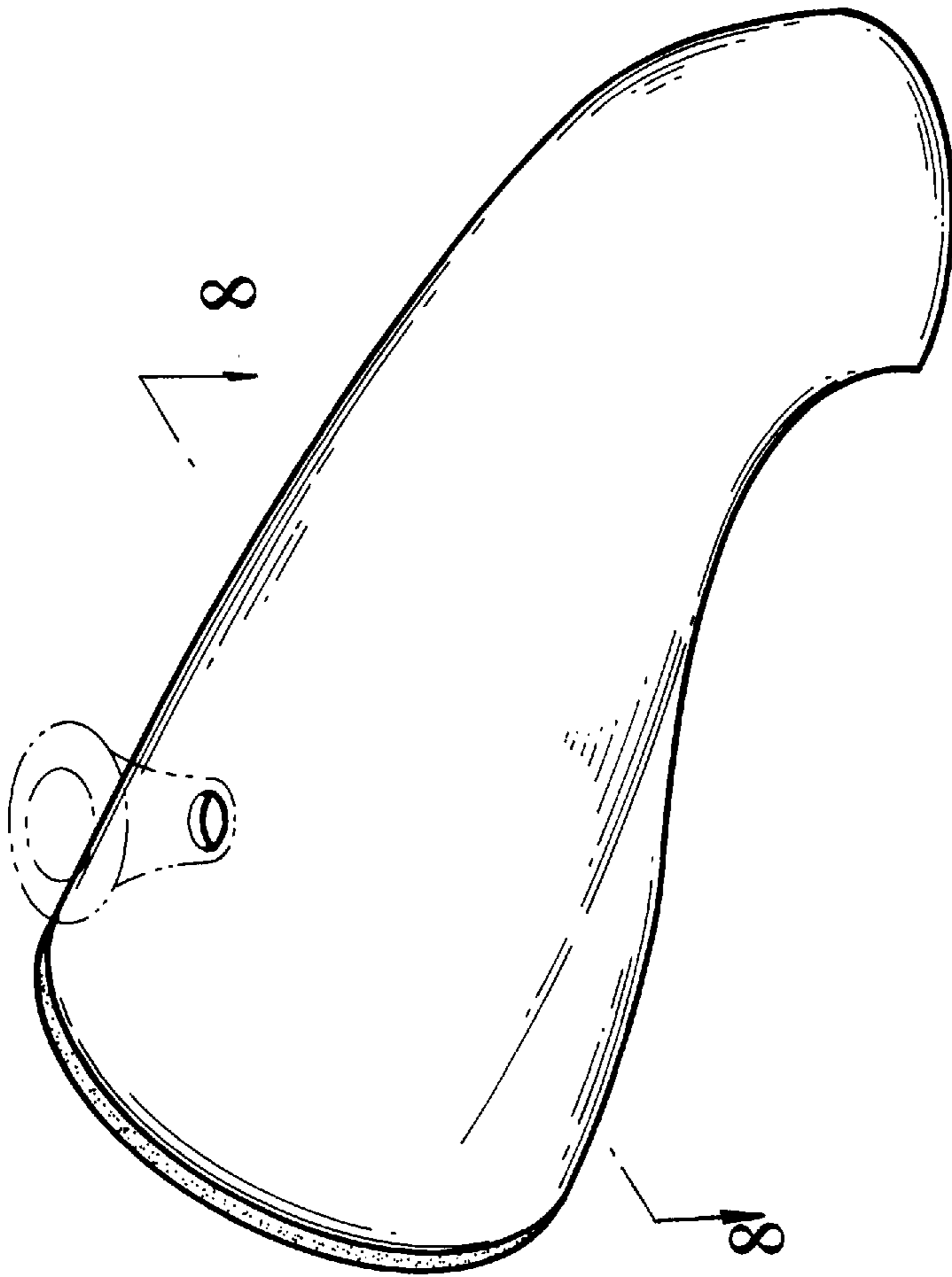


FIG. 7

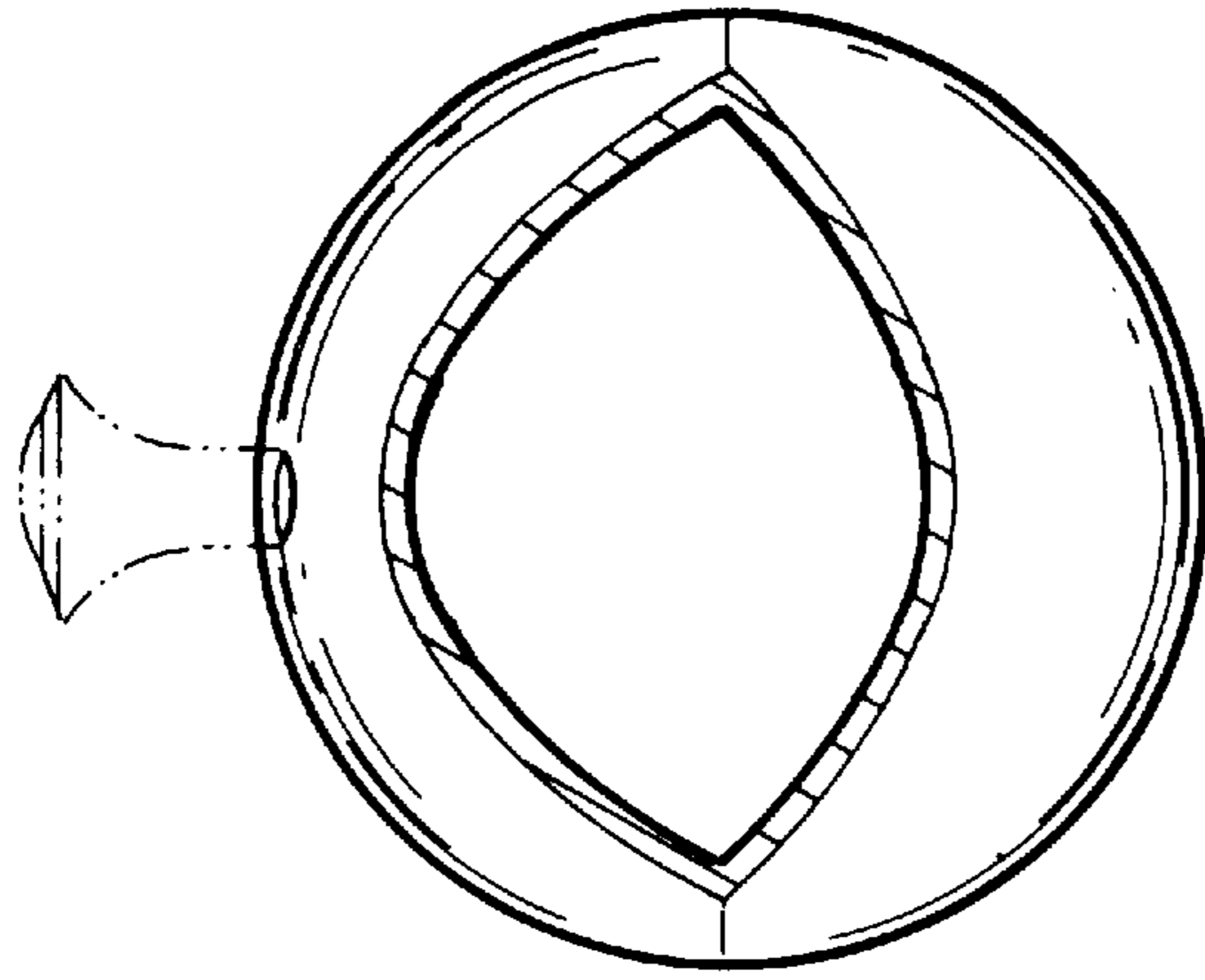


FIG. 8