



US00D411873S

United States Patent [19] Pitsch

[11] **Patent Number: Des. 411,873**

[45] **Date of Patent: ** Jul. 6, 1999**

[54] **FAUCET HANDLE**

[75] **Inventor: Walter Pitsch, Franklin Park, N.J.**

[73] **Assignee: American Standard Inc., Piscataway, N.J.**

[**] **Term: 14 Years**

[21] **Appl. No.: 29/086,501**

[22] **Filed: Apr. 14, 1998**

[51] **LOC (6) Cl. 23-01**

[52] **U.S. Cl. D23/252**

[58] **Field of Search D23/258-263,
D23/250-254; D8/300-310; 4/675-678;
16/110 R-125**

[56] **References Cited**

U.S. PATENT DOCUMENTS

D. 219,781	1/1971	Niemann	D23/252
D. 362,489	9/1995	Moon	D23/252
D. 366,519	1/1996	Lobermeier	D23/252
D. 371,430	7/1996	Moon	D23/252
D. 389,229	1/1998	Kolada	D23/252

D. 391,337	2/1998	Hill et al.	D23/250
D. 397,412	8/1998	Slothower et al.	D23/250
D. 397,425	8/1998	Paredes et al.	D23/250
D. 398,039	9/1998	Ku	D23/252
D. 398,378	9/1998	Lord	D23/252
3,533,436	10/1970	Parkinson	137/359
5,368,071	11/1994	Hsieh	137/625.41
5,660,208	8/1997	Casas	137/625.17

Primary Examiner—Louis S. Zarfes
Assistant Examiner—Eric Watterson

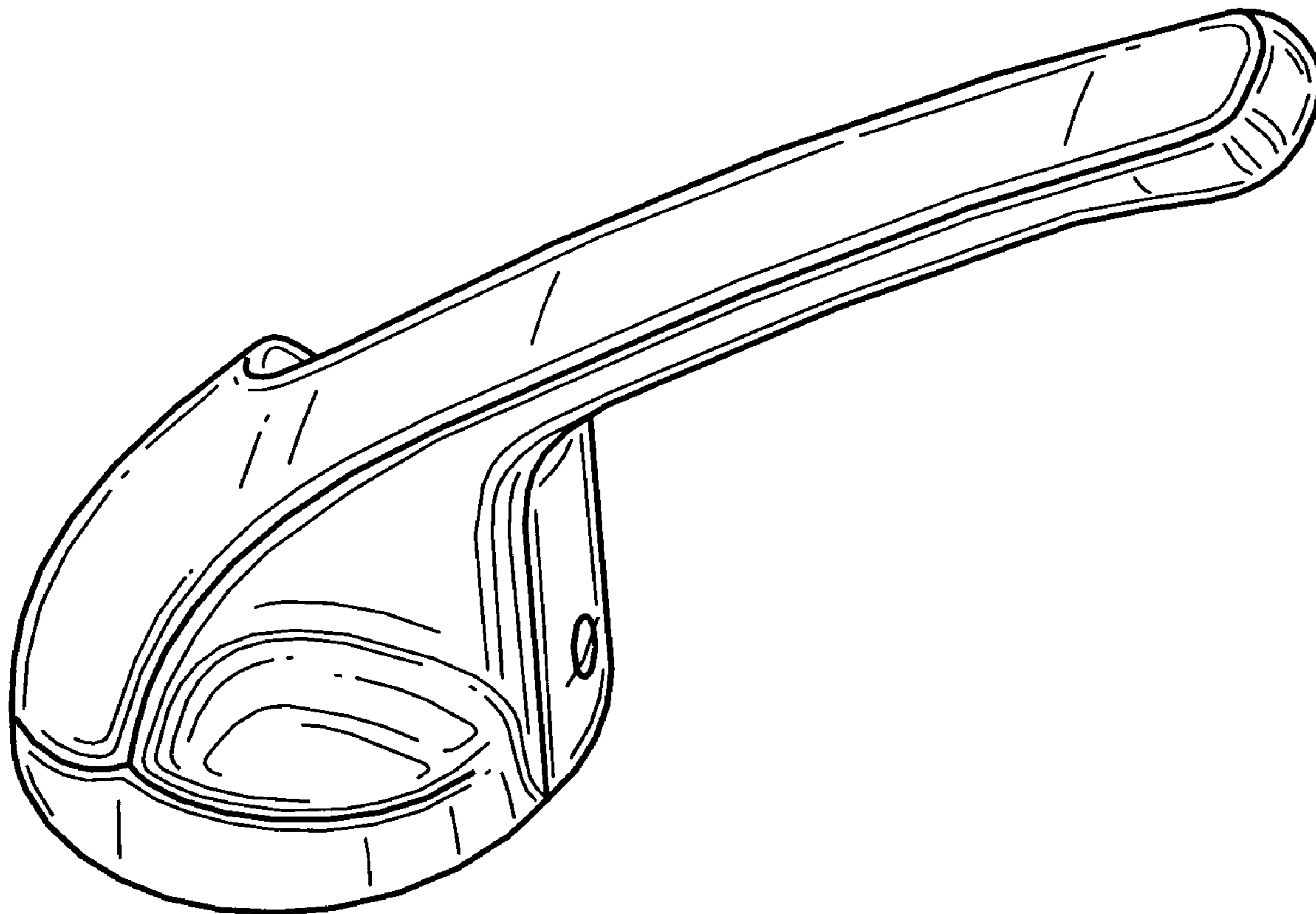
[57] **CLAIM**

The ornamental design for a faucet handle, as shown and described.

DESCRIPTION

FIG. 1 is a top, front, and left side perspective view of a faucet handle showing my new design;
FIG. 2 is a front elevational view thereof;
FIG. 3 is a rear elevational view thereof;
FIG. 4 is a top plan view thereof;
FIG. 5 is a bottom plan view thereof; and,
FIG. 6 is a left side elevational view, the opposite side being a mirror image thereof.

1 Claim, 4 Drawing Sheets



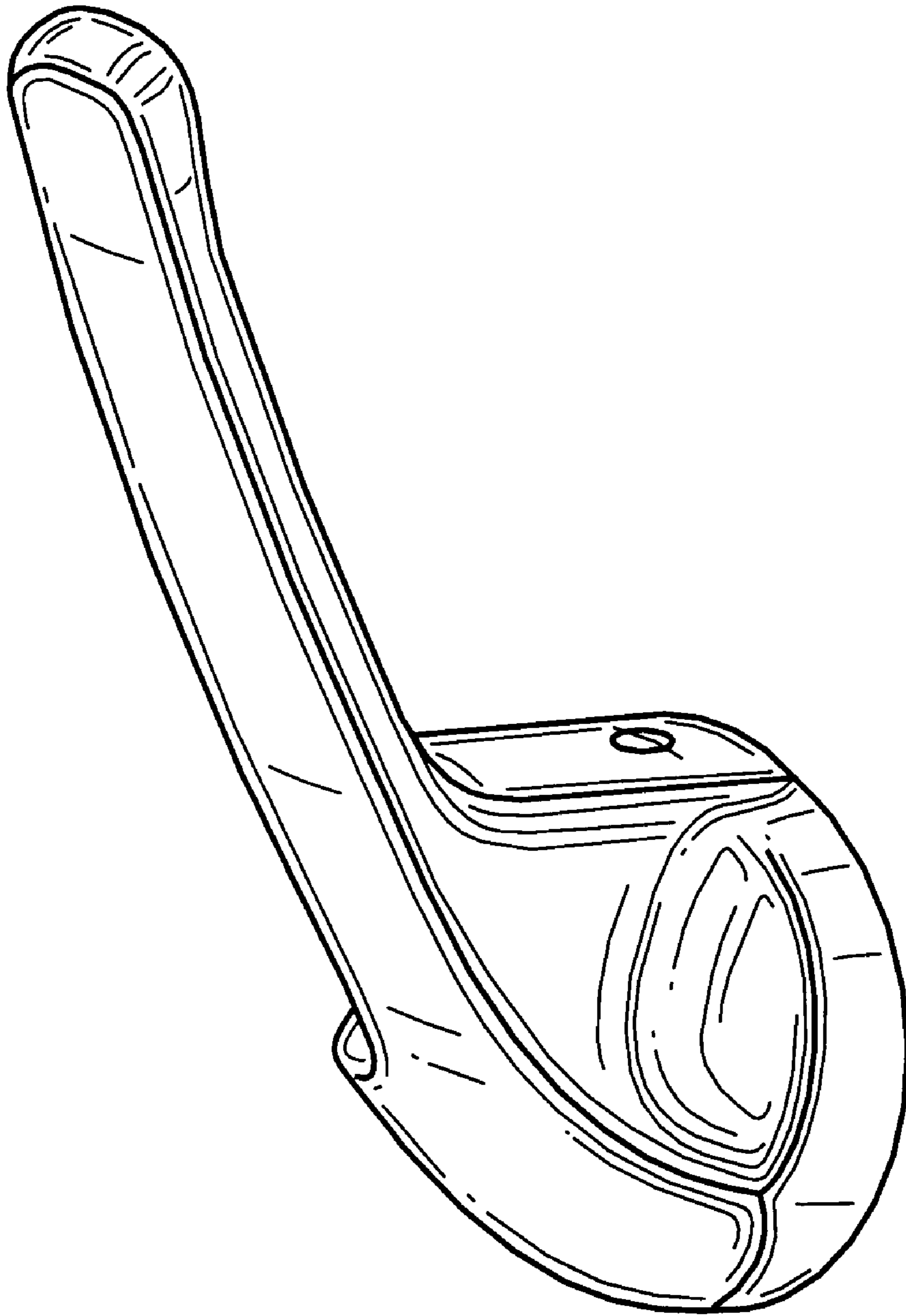


FIG. 1

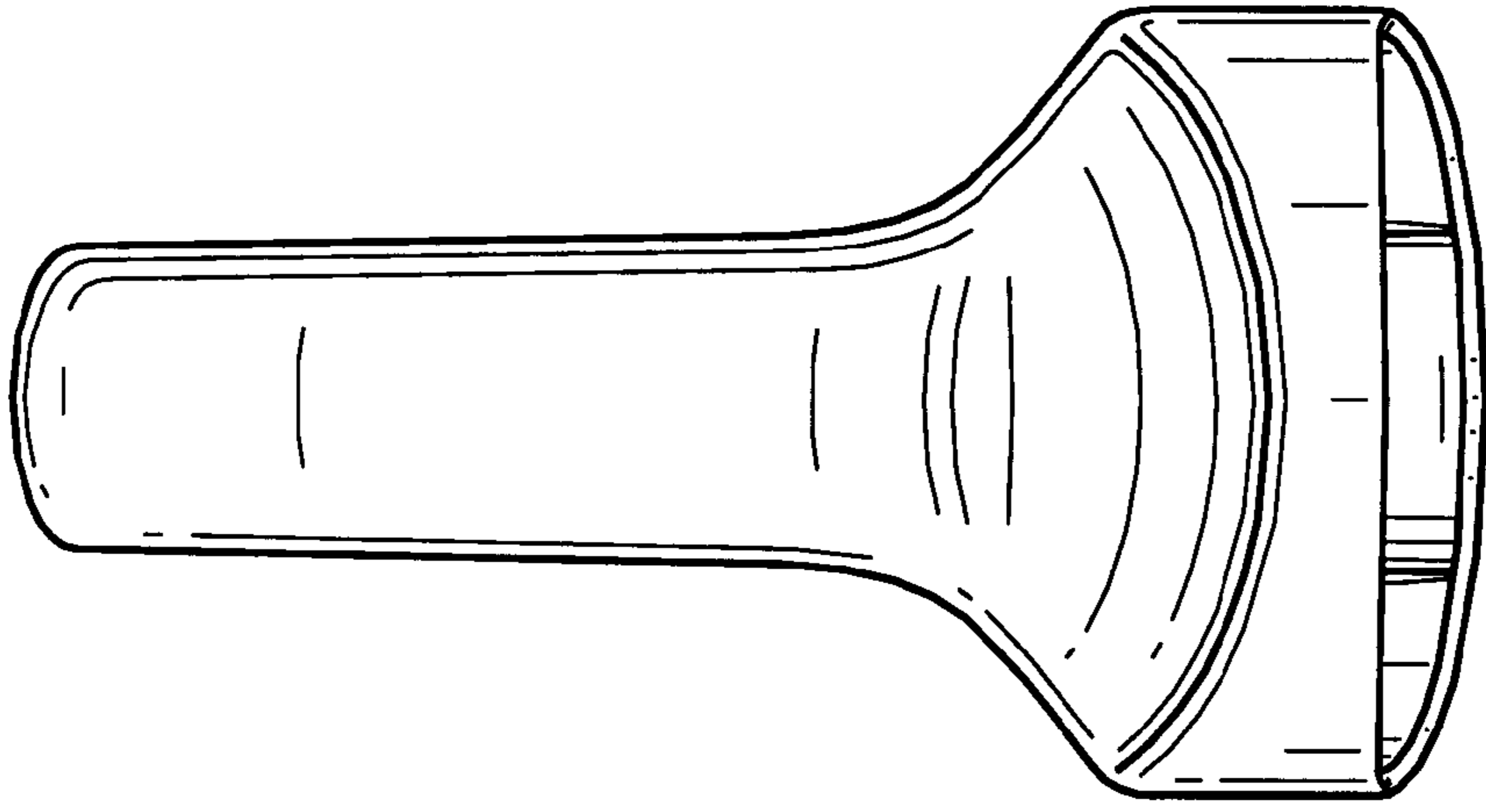


FIG. 3

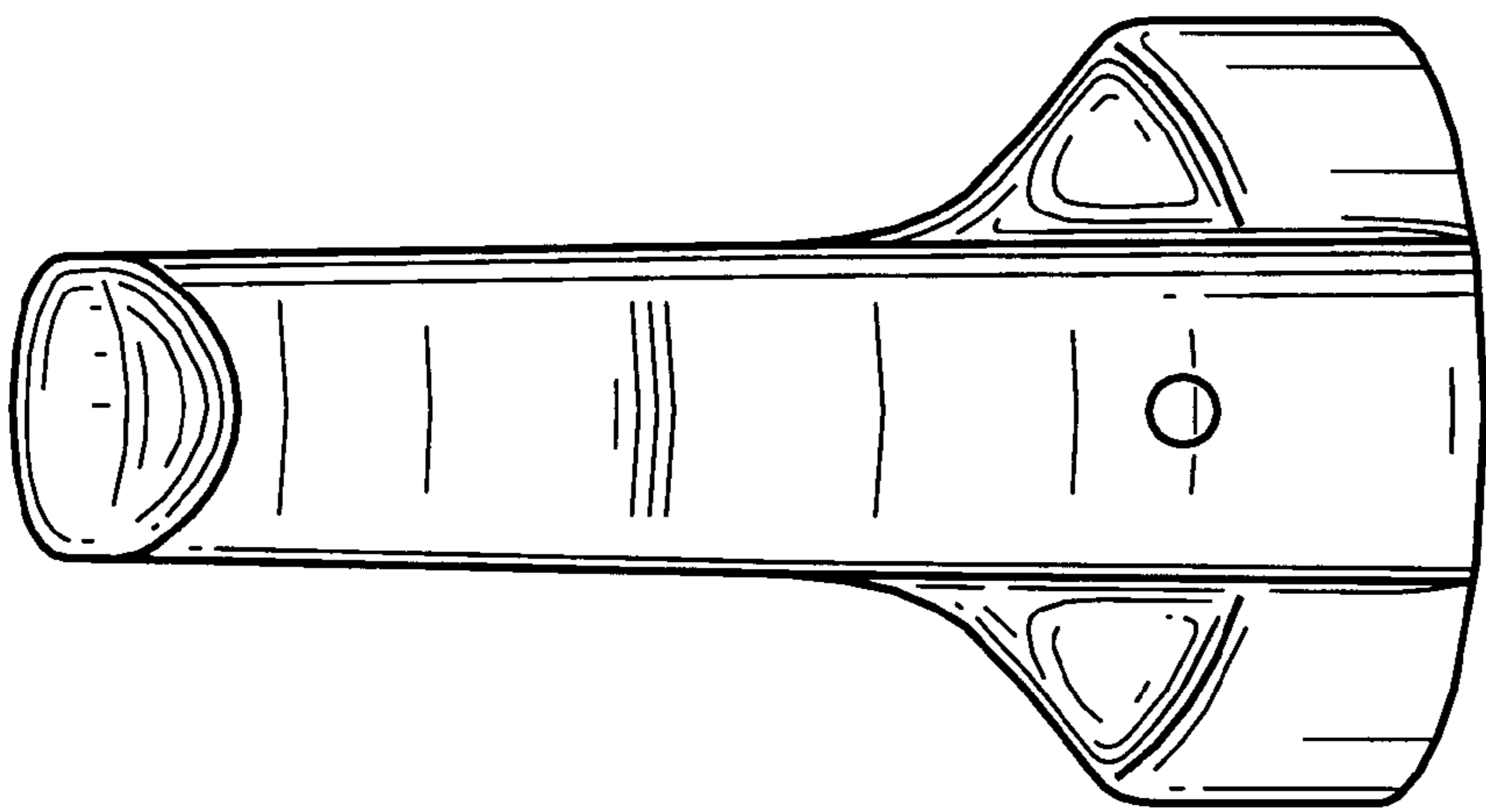


FIG. 2

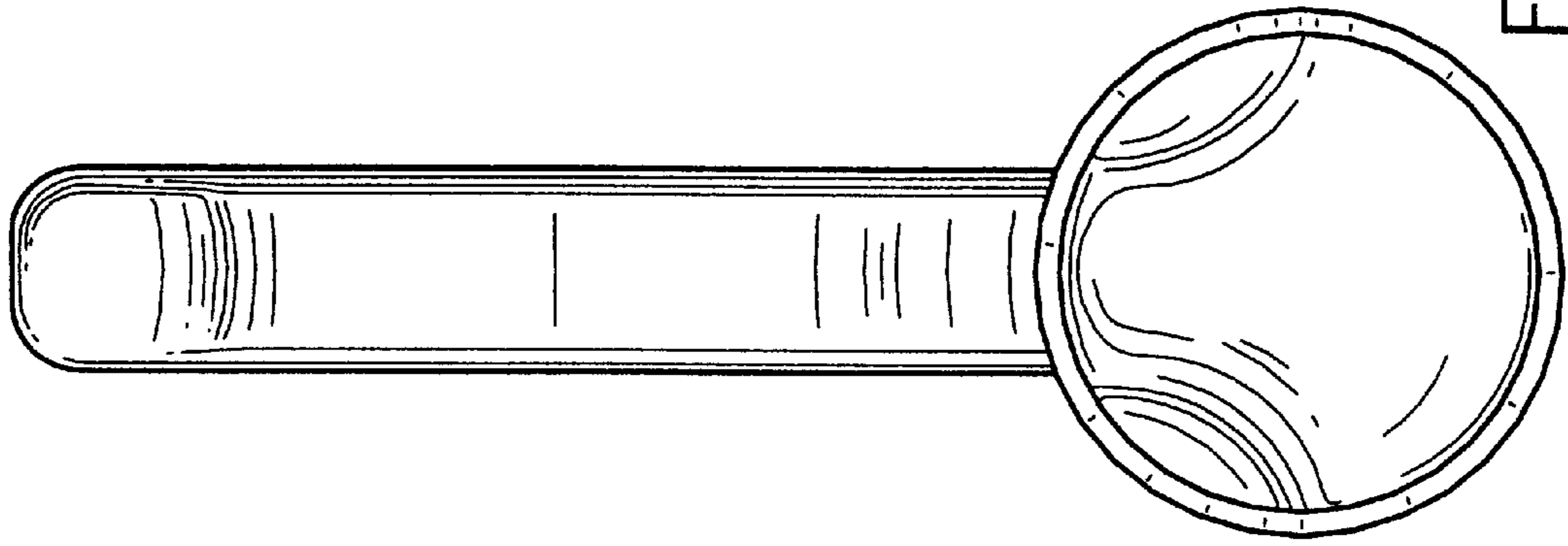


FIG. 5

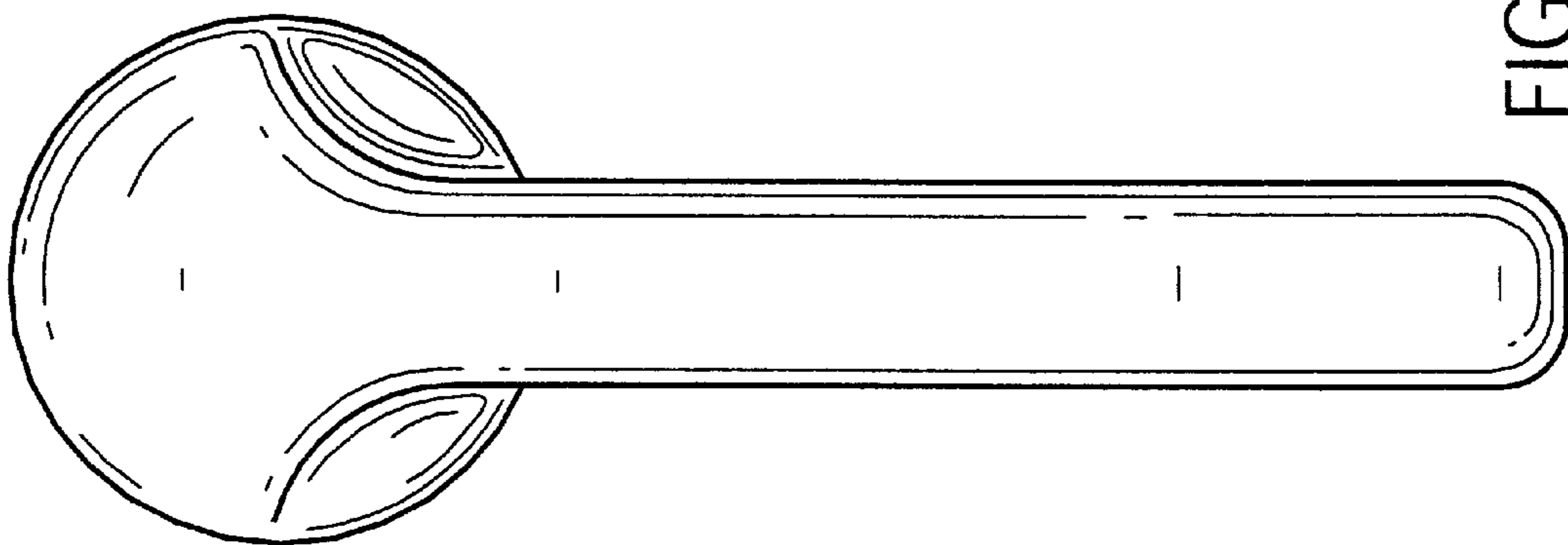


FIG. 4

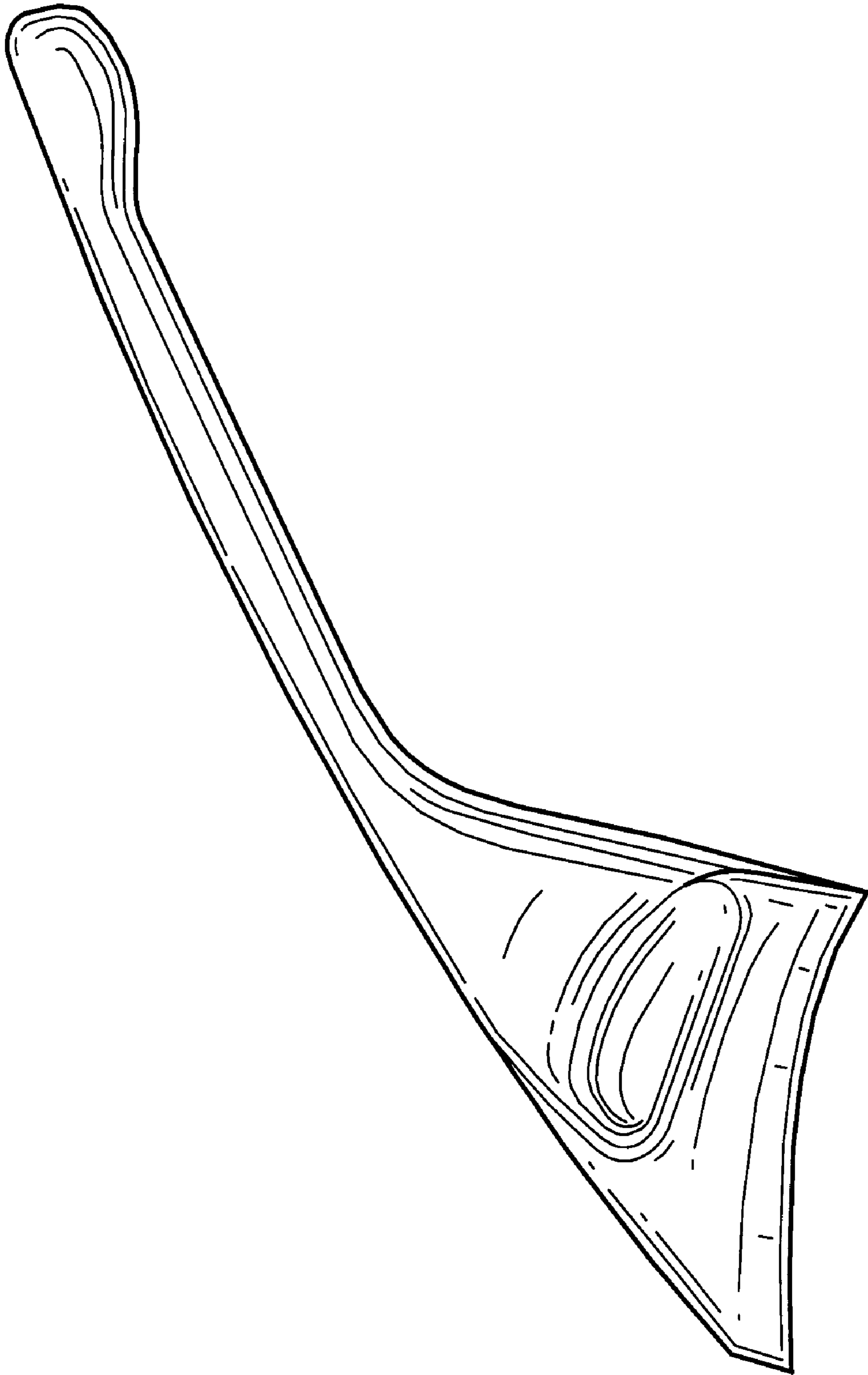


FIG. 6