



US00D411872S

United States Patent [19]

Mirth et al.

[11] **Patent Number: Des. 411,872**

[45] **Date of Patent: ** Jul. 6, 1999**

[54] **VALVE HANDLE**

3,778,026	12/1973	Kreis	251/255
4,708,318	11/1987	Simo	251/292
5,213,308	5/1993	Jeromson et al.	251/95

[75] Inventors: **Douglas W. Mirth**, Plymouth; **Bruce Higgins**, South Lyon, both of Mich.

[73] Assignee: **Brass-Craft Manufacturing Company**, Novi, Mich.

[**] Term: **14 Years**

Primary Examiner—Louis S. Zarfes
Assistant Examiner—Eric M. Watterson
Attorney, Agent, or Firm—Edgar A. Zarins; Leon E. Redman; Myron B. Kapustij

[21] Appl. No.: **29/086,278**

[22] Filed: **Apr. 9, 1998**

[51] **LOC (6) Cl.** **23-01**

[52] **U.S. Cl.** **D23/249**

[58] **Field of Search** D23/233-237,
D23/244-254, 238-243; 137/801; 251/255,
367, 368, 292, 218, 95, 106; D8/300-310

[57] CLAIM

The ornamental design for a valve handle, as shown and described.

DESCRIPTION

FIG. 1 is a perspective view of a valve handle showing our new design;
FIG. 2 is a side view thereof, the opposite side being a mirror image of the side shown;
FIG. 3 is a top plan view thereof; and,
FIG. 4 is an end view, the opposite side being a mirror image thereof.

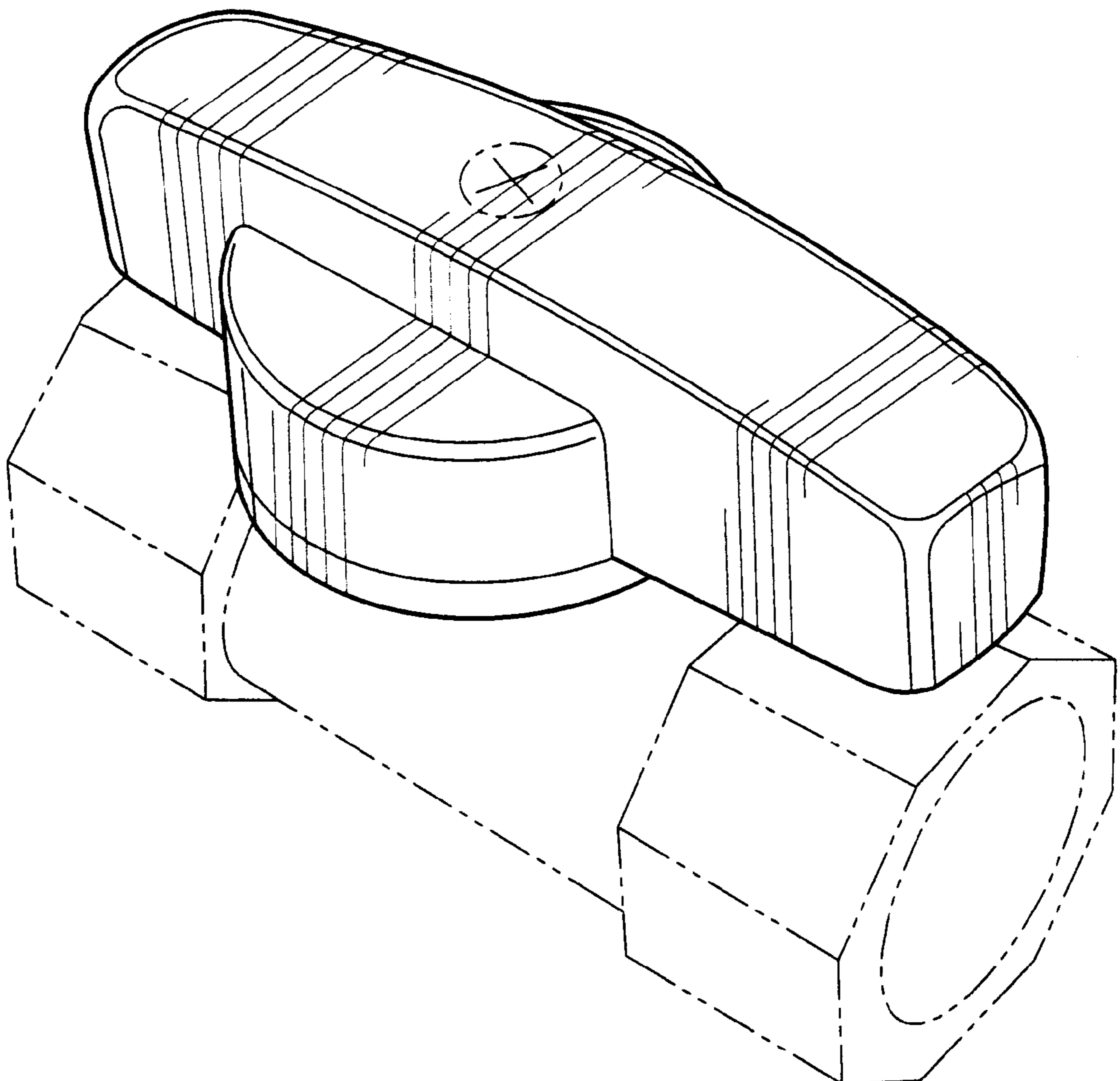
The broken line showing is for illustrative purposes only and forms no part of the claimed design.

[56] References Cited

U.S. PATENT DOCUMENTS

D. 285,246	8/1986	Fetty	D23/250
D. 297,254	8/1988	Odate et al.	D23/248
D. 374,066	9/1996	Gregor	D23/233

1 Claim, 2 Drawing Sheets



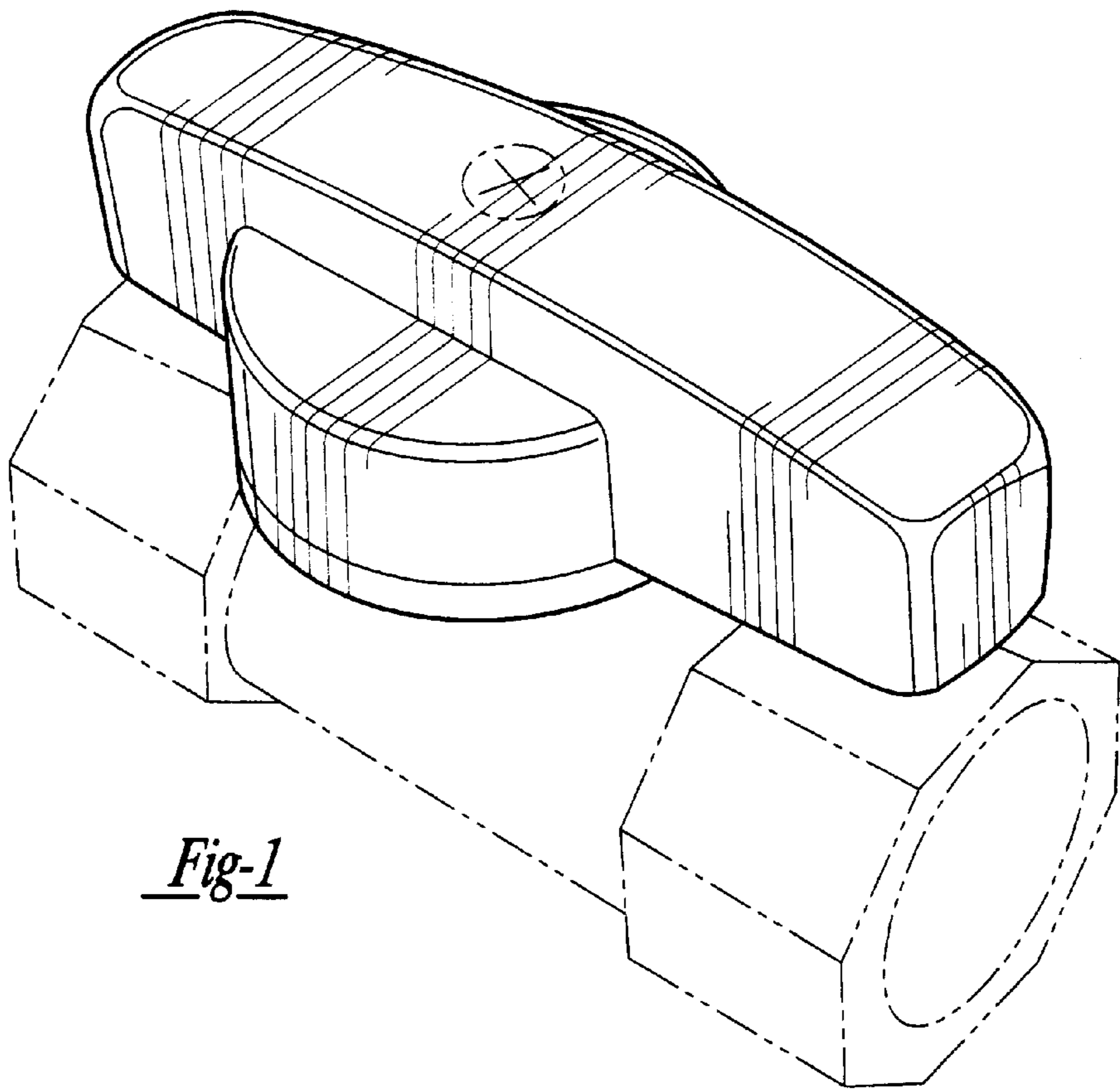


Fig-1

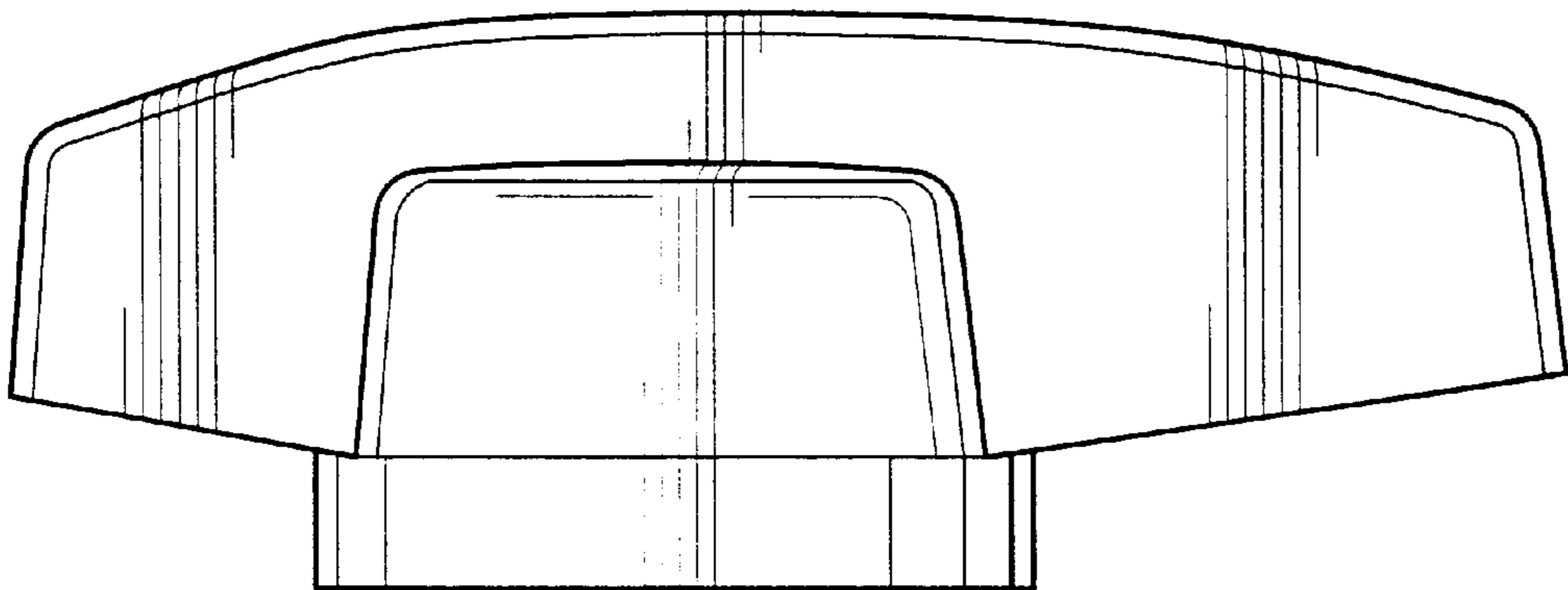


Fig-2

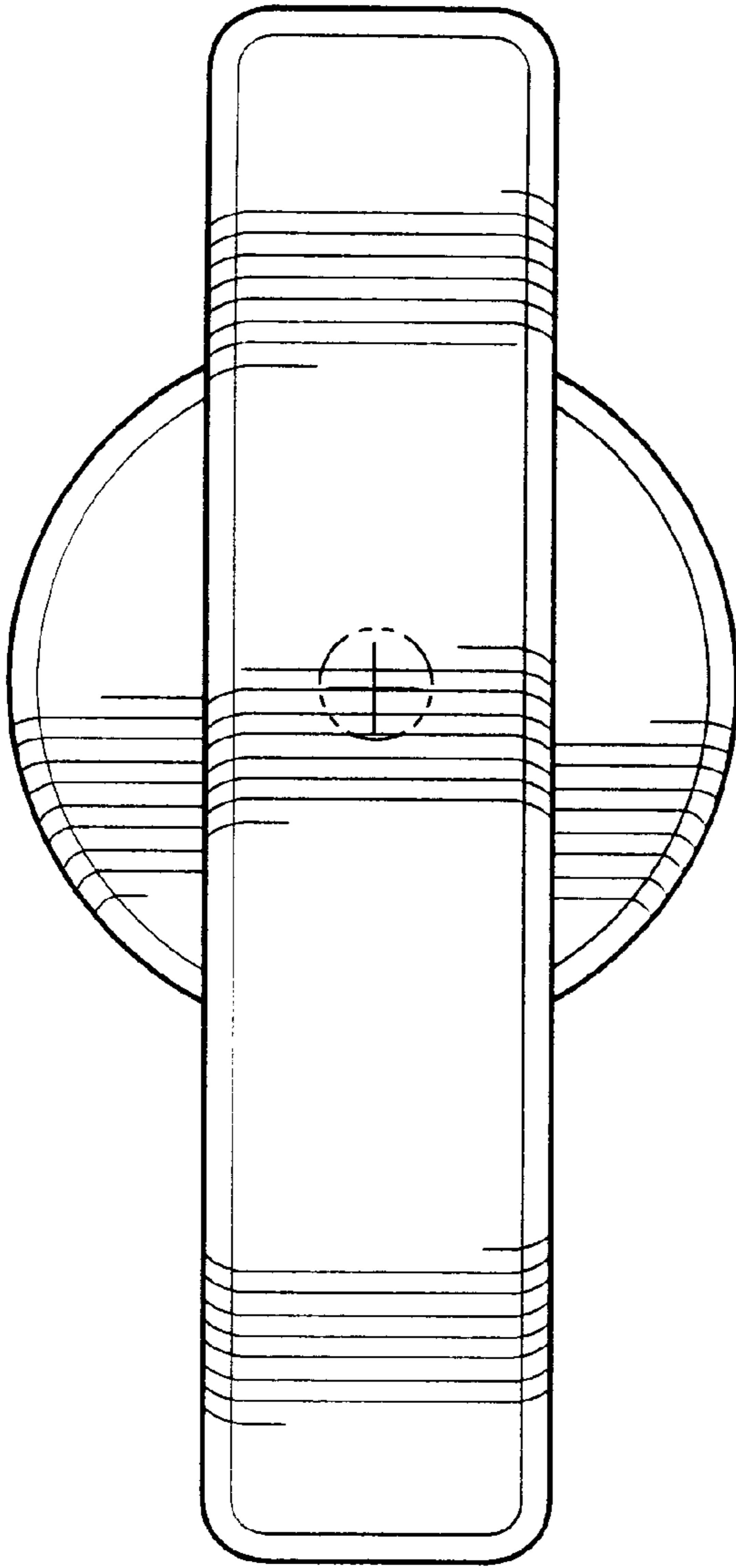


Fig-4

Fig-3

