



US00D411870S

United States Patent [19] Humber

[11] **Patent Number: Des. 411,870**

[45] **Date of Patent: ** Jul. 6, 1999**

[54] **BALL VALVE**

5,201,493 4/1993 Kim 251/315
5,533,549 7/1996 Sherman 251/315.14

[75] Inventor: **Jeffrey A. Humber**, Memphis, Tenn.

[73] Assignee: **IPS Corporation**, Collierville, Tenn.

[**] Term: **14 Years**

Primary Examiner—Alan P. Douglas
Assistant Examiner—Robin V. Taylor
Attorney, Agent, or Firm—Walter W. Duft

[21] Appl. No.: **29/092,523**

[22] Filed: **Aug. 20, 1998**

[57] **CLAIM**

The ornamental design for a ball valve, as shown and described.

[51] **LOC (6) Cl.** **23-01**

[52] **U.S. Cl.** **D23/233; D23/245**

[58] **Field of Search** **D23/233-237, D23/244, 245; 251/315.14, 310**

DESCRIPTION

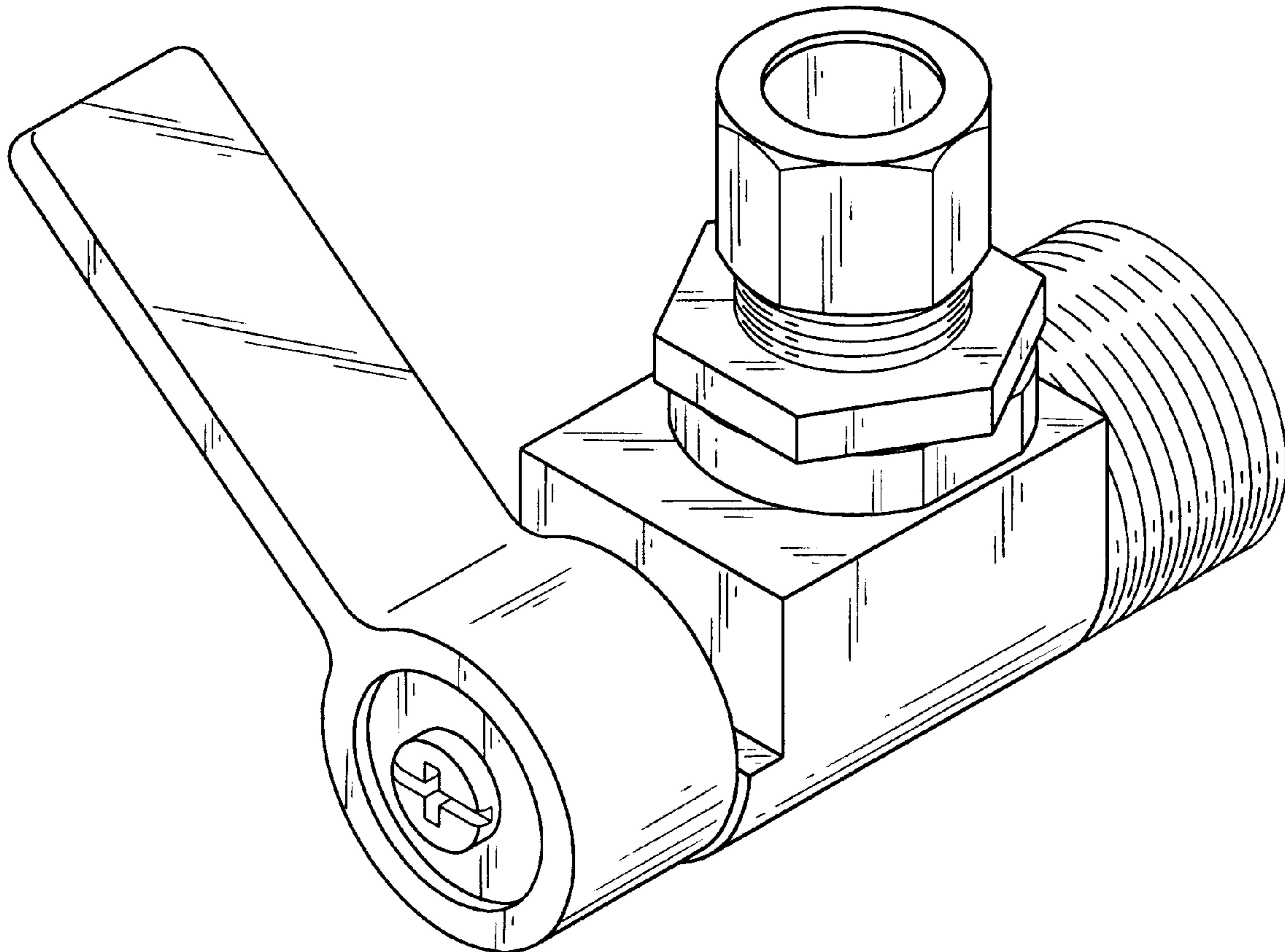
FIG. 1 is a perspective view of a ball valve illustrating my design;
FIG. 2 is a left side elevational view thereof;
FIG. 3 is a right side elevational view thereof;
FIG. 4 is a front elevational view thereof;
FIG. 5 is a rear elevational view thereof;
FIG. 6 is a top plan view thereof; and,
FIG. 7 is a bottom plan view thereof.

[56] **References Cited**

U.S. PATENT DOCUMENTS

D. 374,066 9/1996 Gregor D23/233
D. 400,970 11/1998 Voo D23/245
3,964,728 6/1976 Flider 251/310

1 Claim, 2 Drawing Sheets



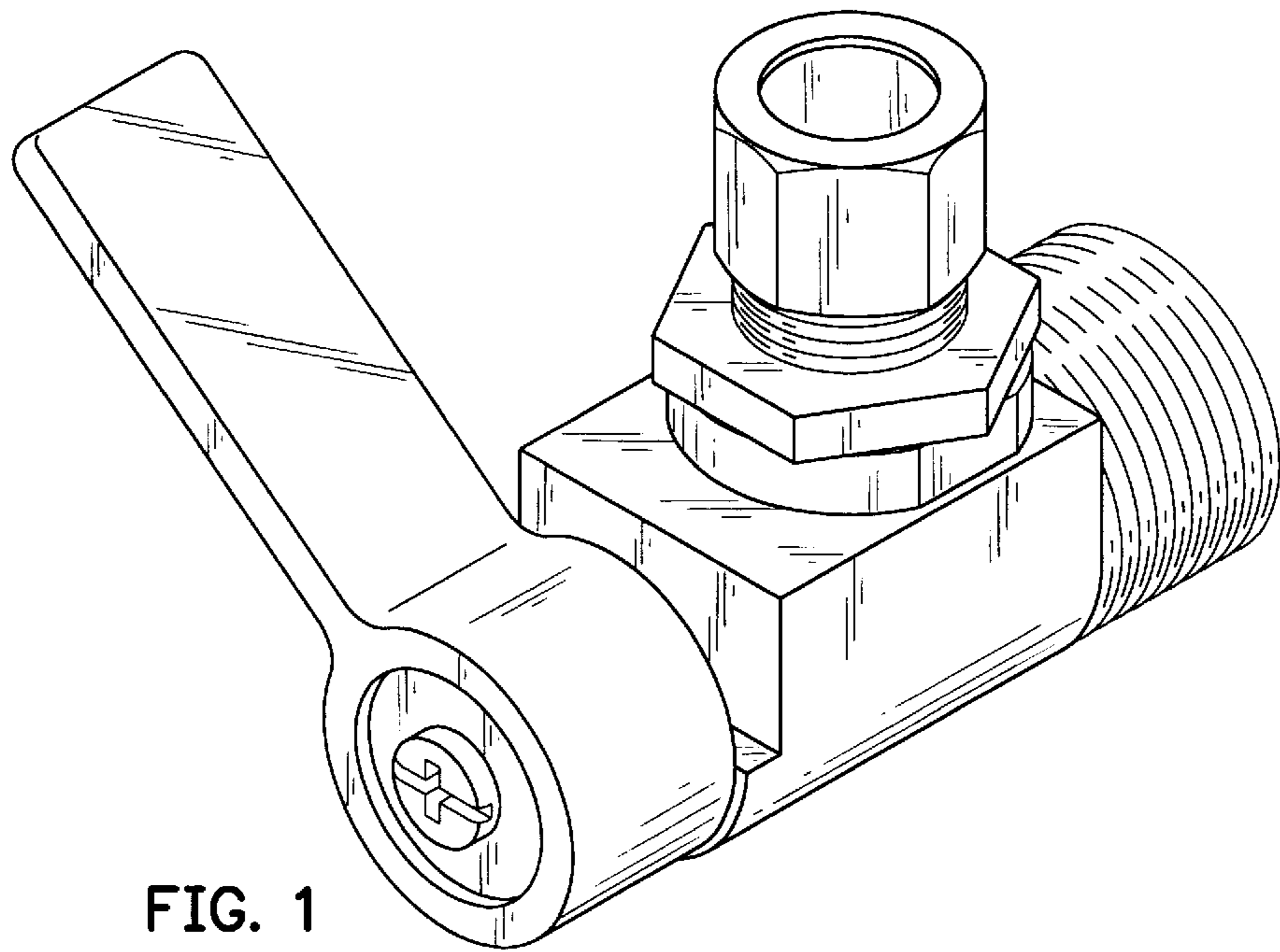


FIG. 1

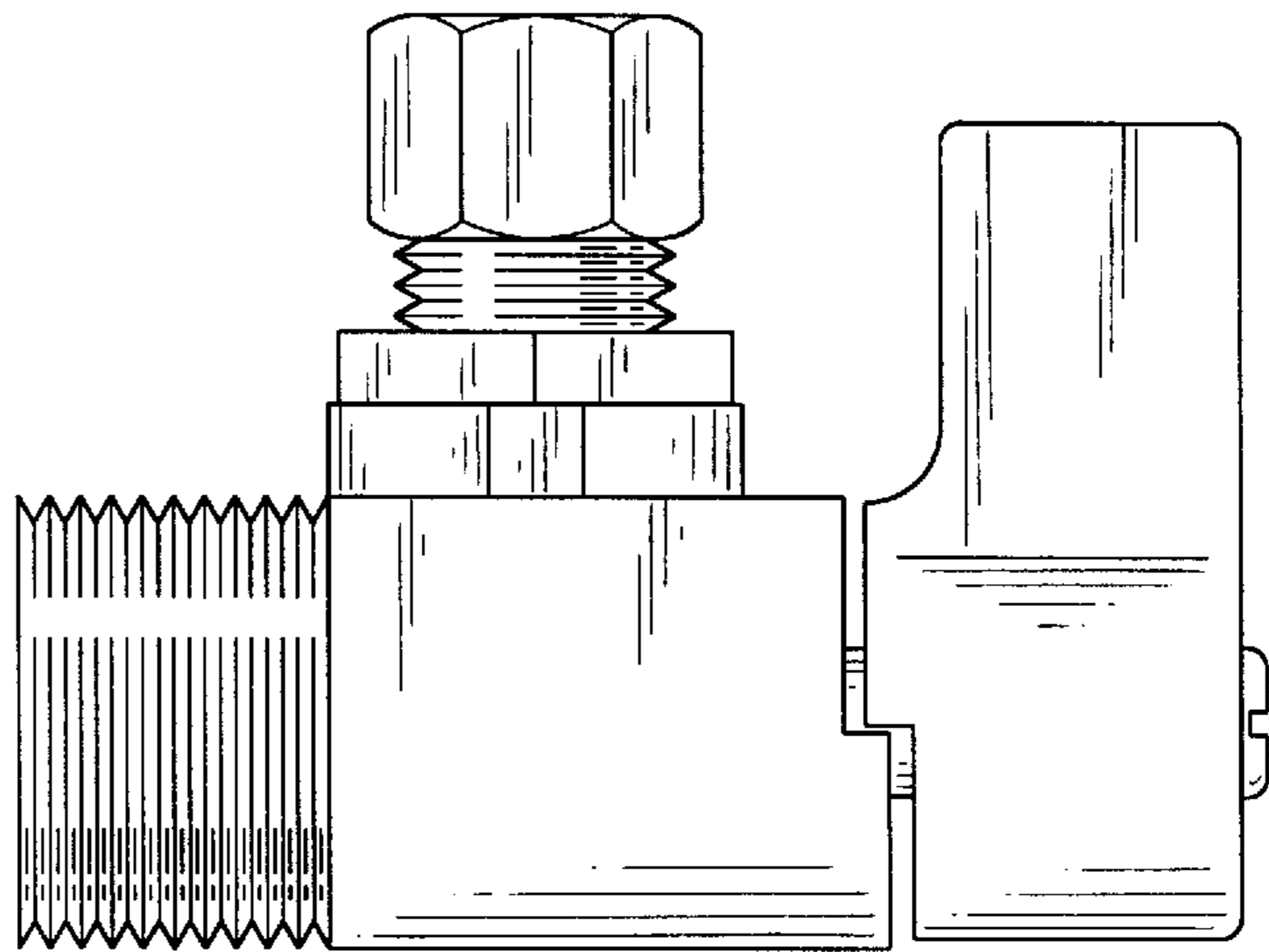


FIG. 2

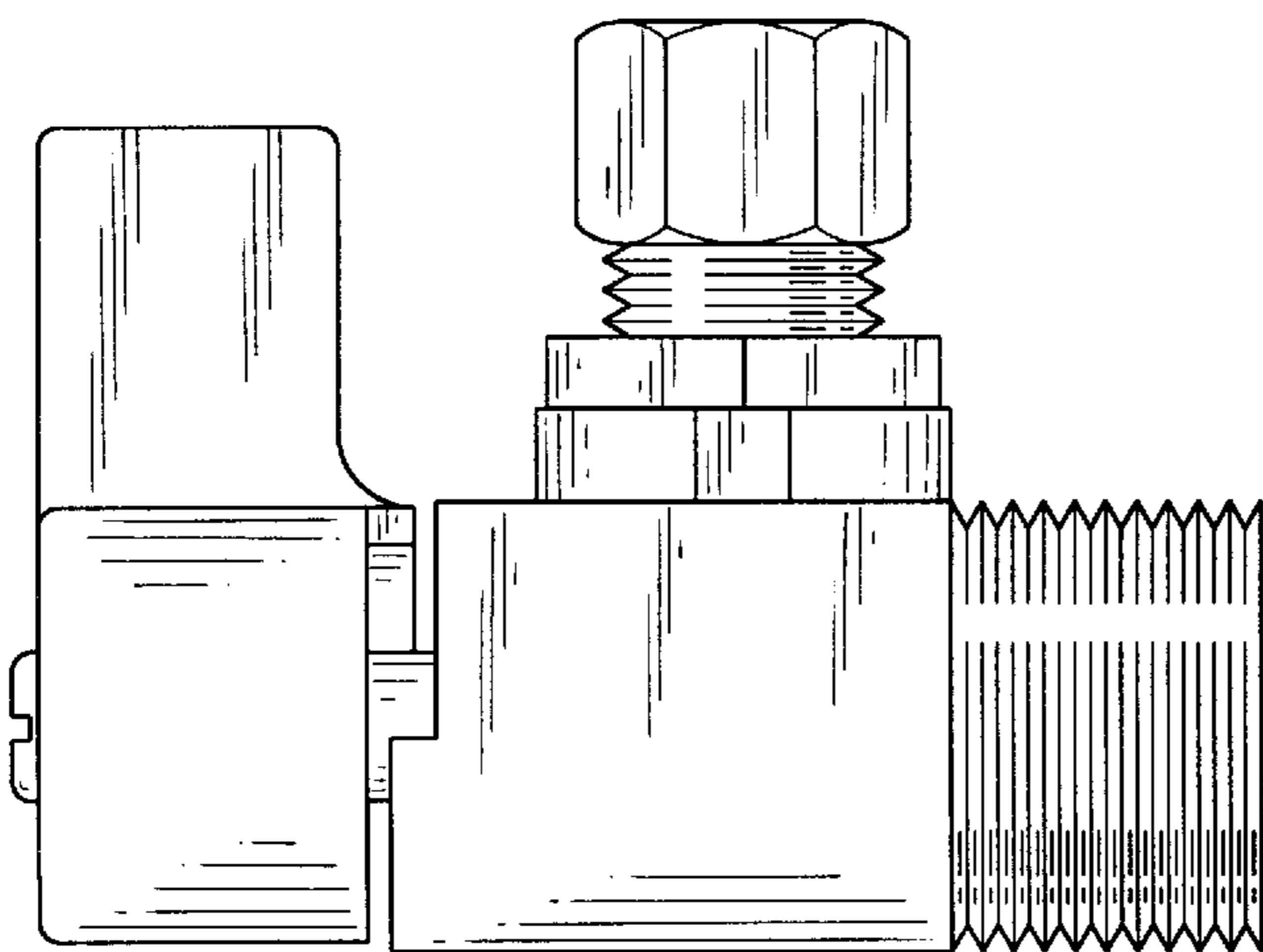


FIG. 3

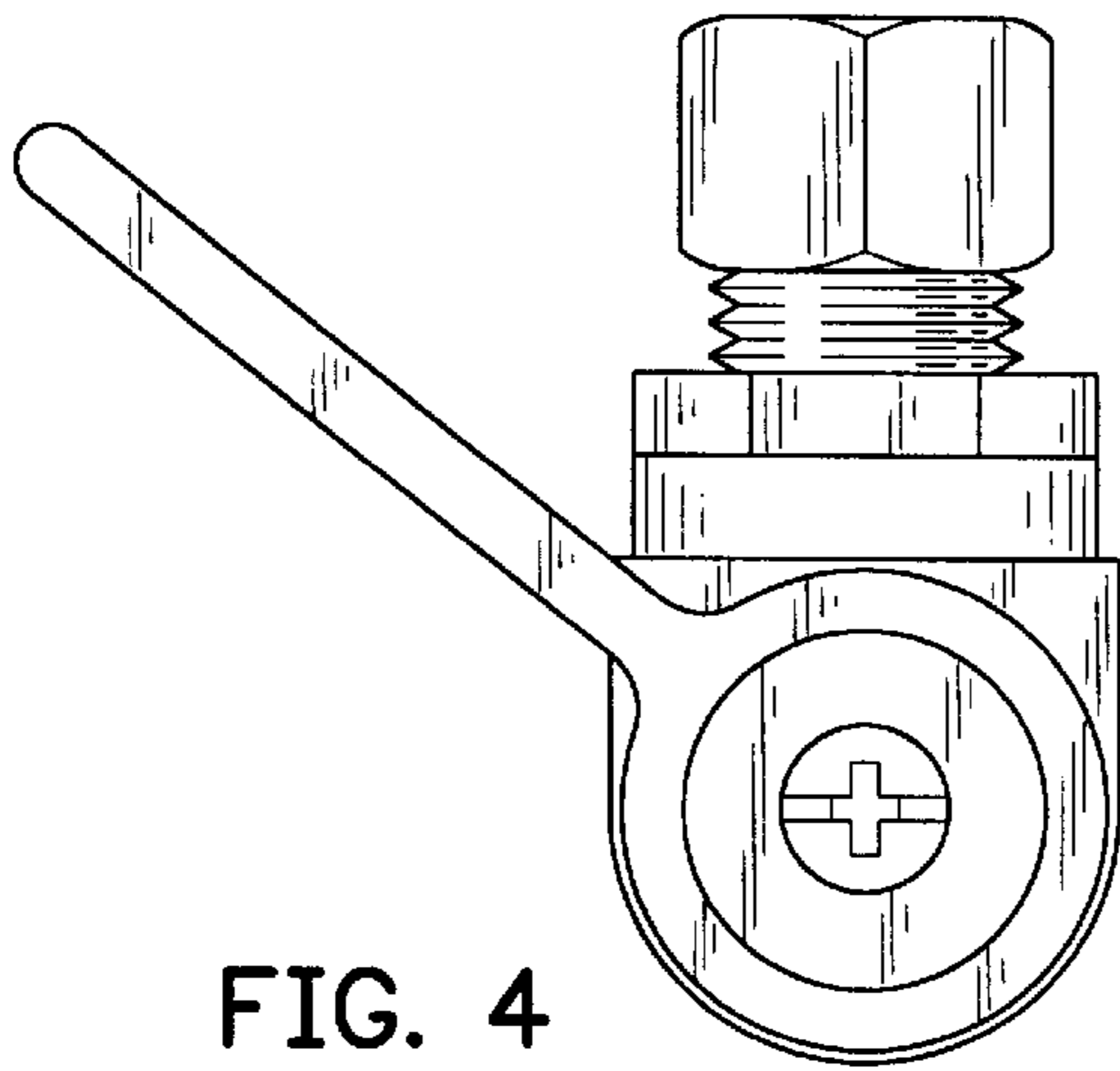


FIG. 4

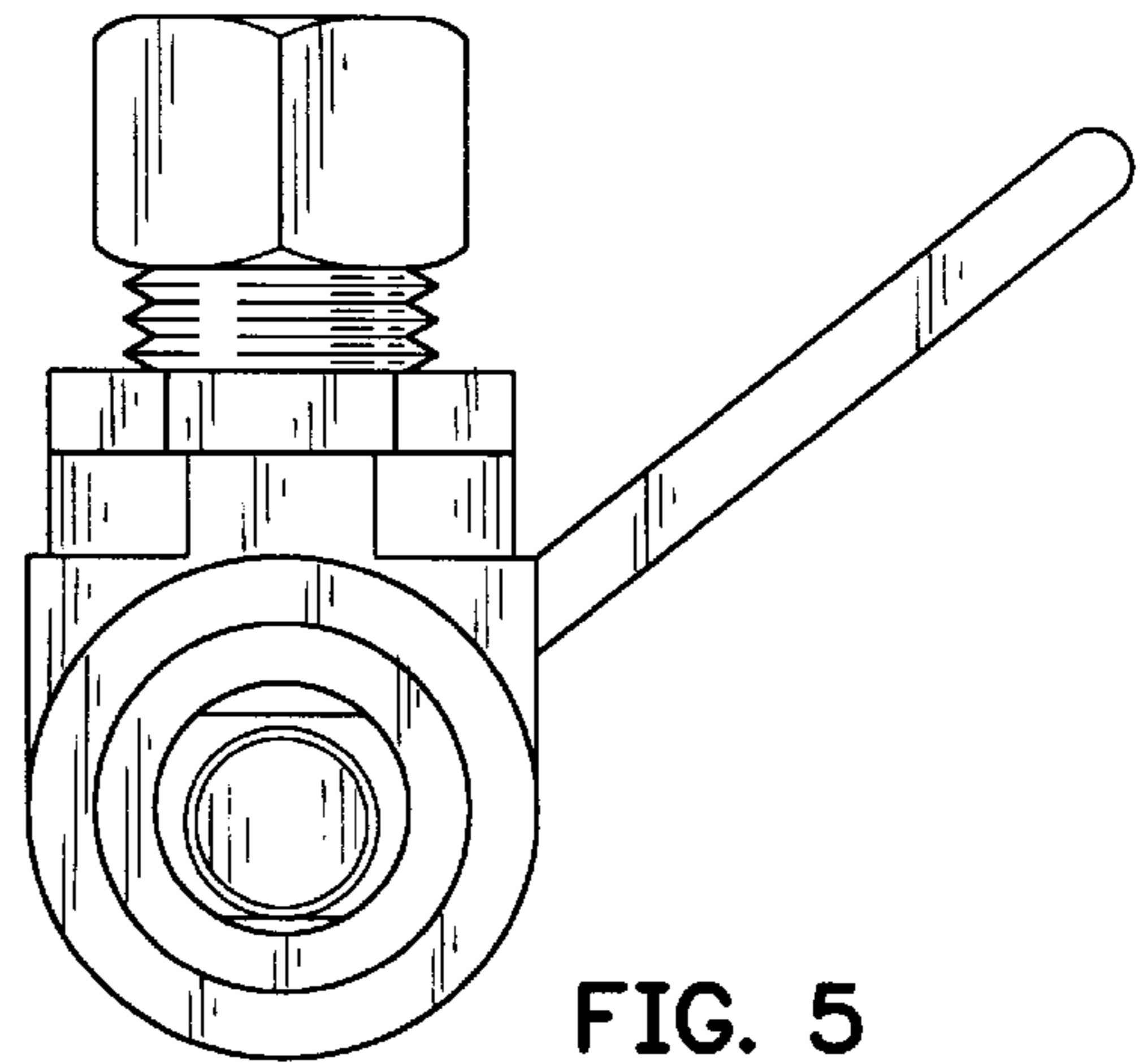


FIG. 5

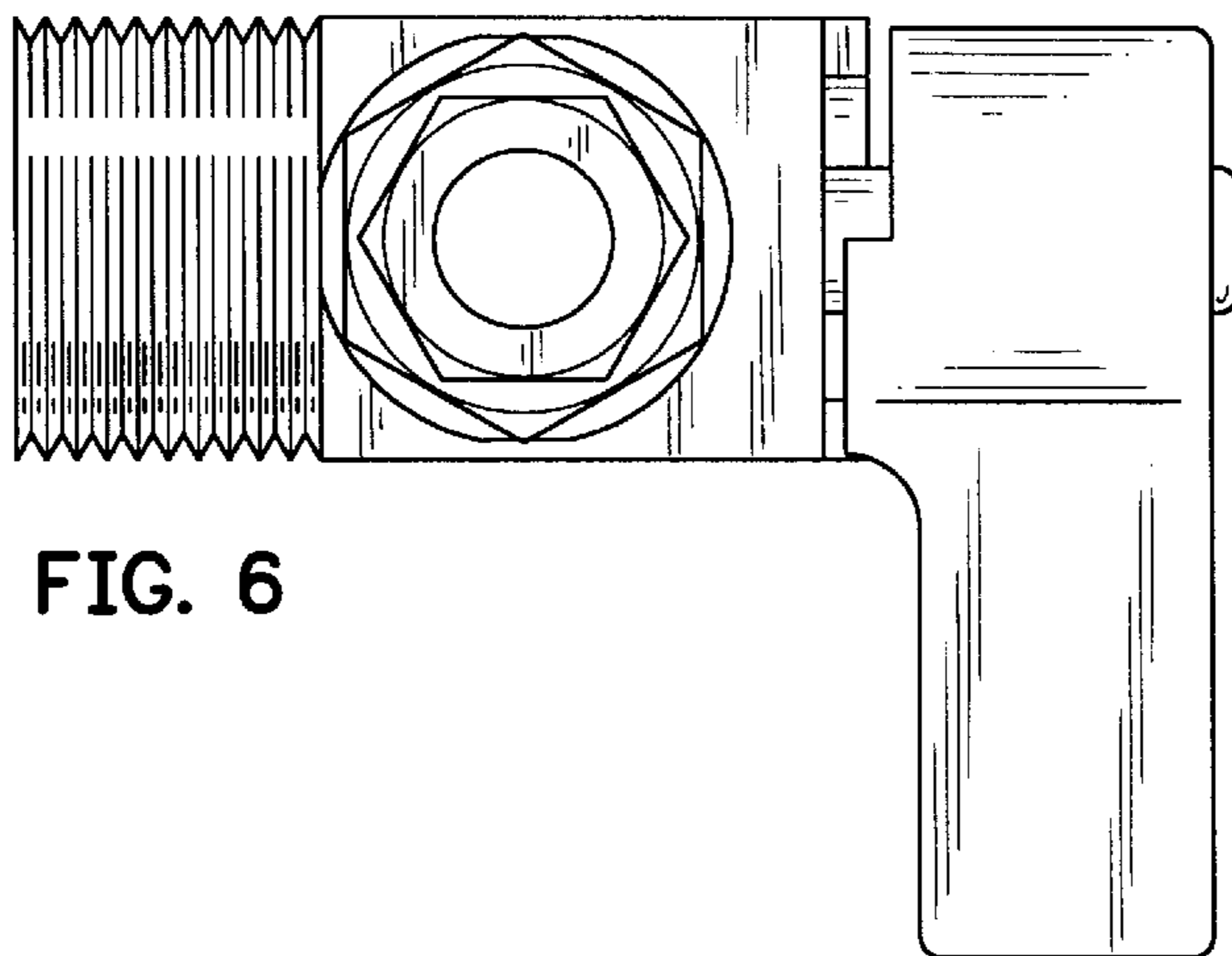


FIG. 6

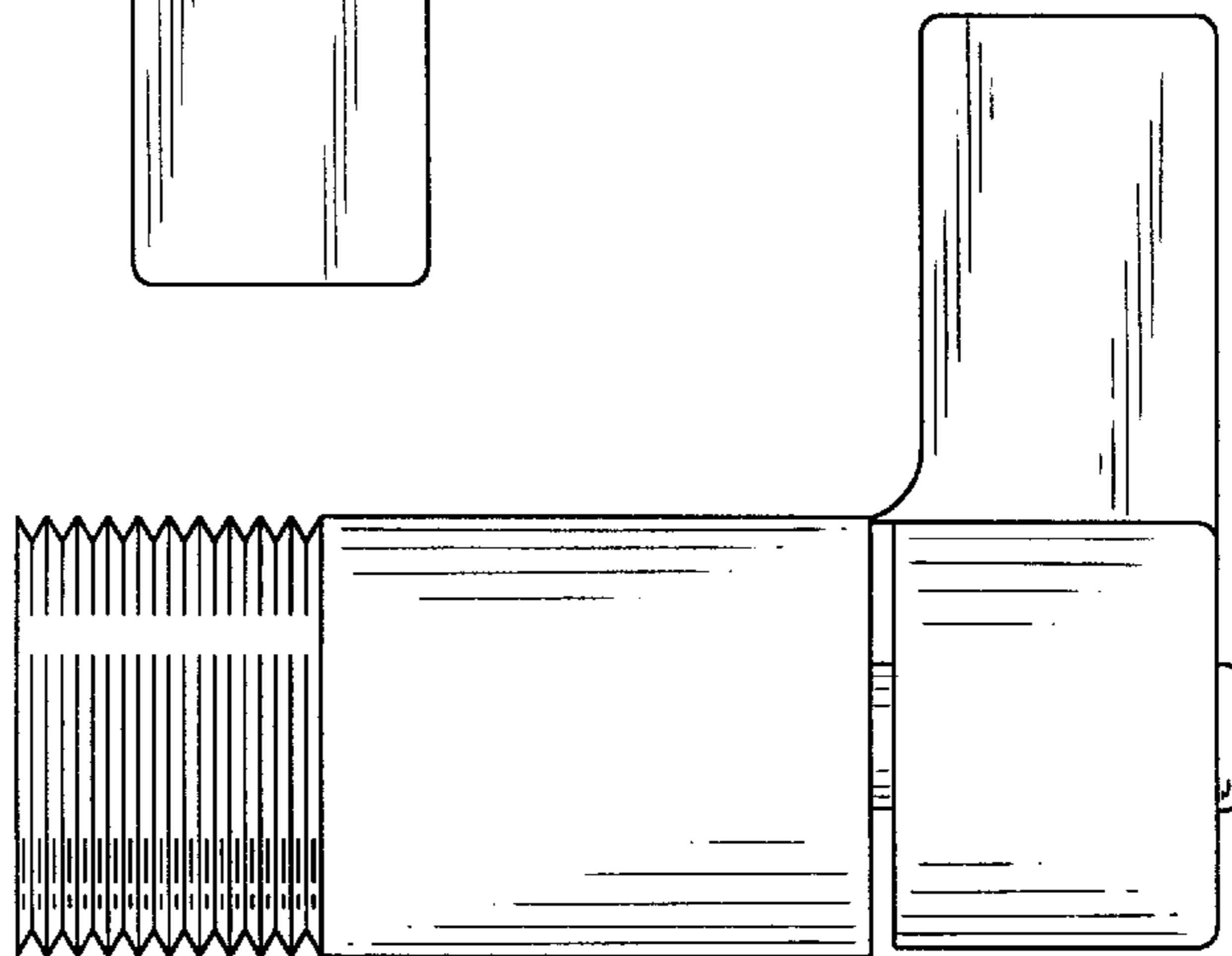


FIG. 7