



US00D411868S

**United States Patent** [19]  
**Herrick**

[11] **Patent Number: Des. 411,868**  
[45] **Date of Patent: \*\* Jul. 6, 1999**

[54] **FRONT SIGHT FOR A FIREARM**

[75] Inventor: **Bradford James Herrick**, Las Vegas, Nev.

[73] Assignee: **M2Corp**, Las Vegas, Nev.

[\*\*] Term: **14 Years**

[21] Appl. No.: **29/092,550**

[22] Filed: **Aug. 21, 1998**

[51] **LOC (6) Cl.** ..... **22-01**

[52] **U.S. Cl.** ..... **D22/109; D22/108**

[58] **Field of Search** ..... 33/245; 42/100,  
42/101, 103; 362/110

[56] **References Cited**

**U.S. PATENT DOCUMENTS**

D. 281,804	12/1985	Bechtel	.....	D22/110
2,580,246	12/1951	Schall	.....	42/101
2,949,825	8/1960	Musser et al.	.....	42/100
4,876,816	10/1989	Triplett	.....	362/110
4,894,941	1/1990	Karow, Jr.	.....	362/110
5,092,071	3/1992	Moore	.....	42/103
5,671,561	9/1997	Johnson et al.	.....	42/100

*Primary Examiner*—Louis S. Zarfaz

*Assistant Examiner*—Monica A. Weingart

*Attorney, Agent, or Firm*—Quirk & Tratos

[57] **CLAIM**

The ornamental design for a front sight for a firearm, as shown and described.

**DESCRIPTION**

FIG. 1 is a top-front, perspective view of a front sight for a firearm according to one embodiment of the present invention;

FIG. 2 is a front view of the sight of FIG. 1;

FIG. 3 is a right side view of the sight of FIG. 1;

FIG. 4 is a top view of the sight of FIG. 1;

FIG. 5 is a bottom view of the sight of FIG. 1;

FIG. 6 is a rear view of the sight of FIG. 1;

FIG. 7 is a front view of another embodiment of the sight of the present invention;

FIG. 8 is a right side view of the sight of FIG. 7;

FIG. 9 is a top view of a the sight of FIG. 7;

FIG. 10 is a bottom view of the sight of FIG. 7;

FIG. 11 is a rear view of the sight of FIG. 7;

FIG. 12 is a left side view of the sight of FIG. 7;

FIG. 13 is a front view of a sight for a firearm according to another embodiment of the present invention;

FIG. 14 is a right side view of the sight of FIG. 13;

FIG. 15 is a top view of the sight of FIG. 13;

FIG. 16 is a bottom view of the sight of FIG. 13;

FIG. 17 is a rear view of the sight of FIG. 13;

FIG. 18 is a left side view of the sight of FIG. 13;

FIG. 19 is a front view of a sight for a firearm according to another embodiment of the present invention;

FIG. 20 is a right side view of the sight of FIG. 19;

FIG. 21 is a top view of the sight of FIG. 19;

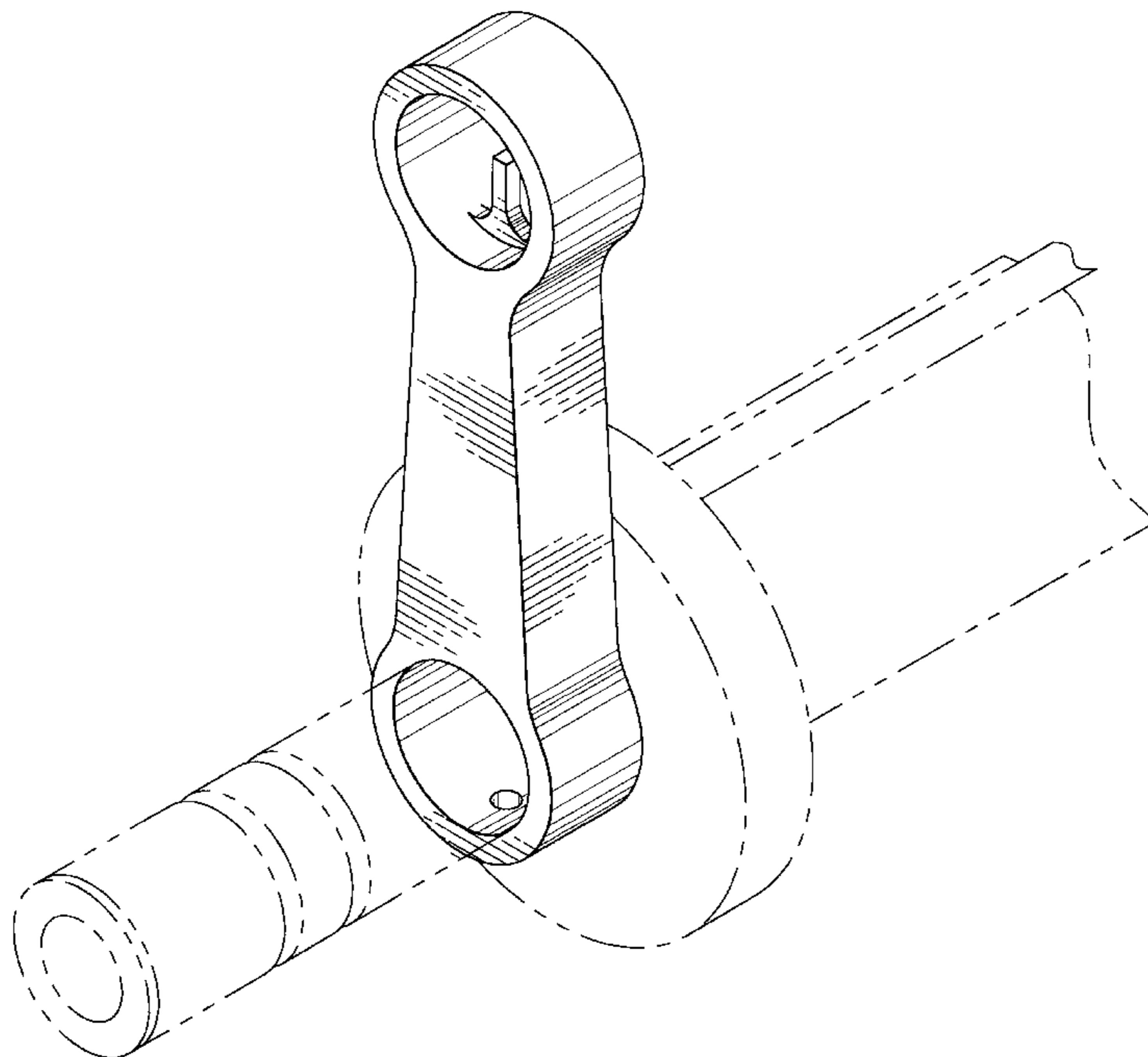
FIG. 22 is a bottom view of the sight of FIG. 19;

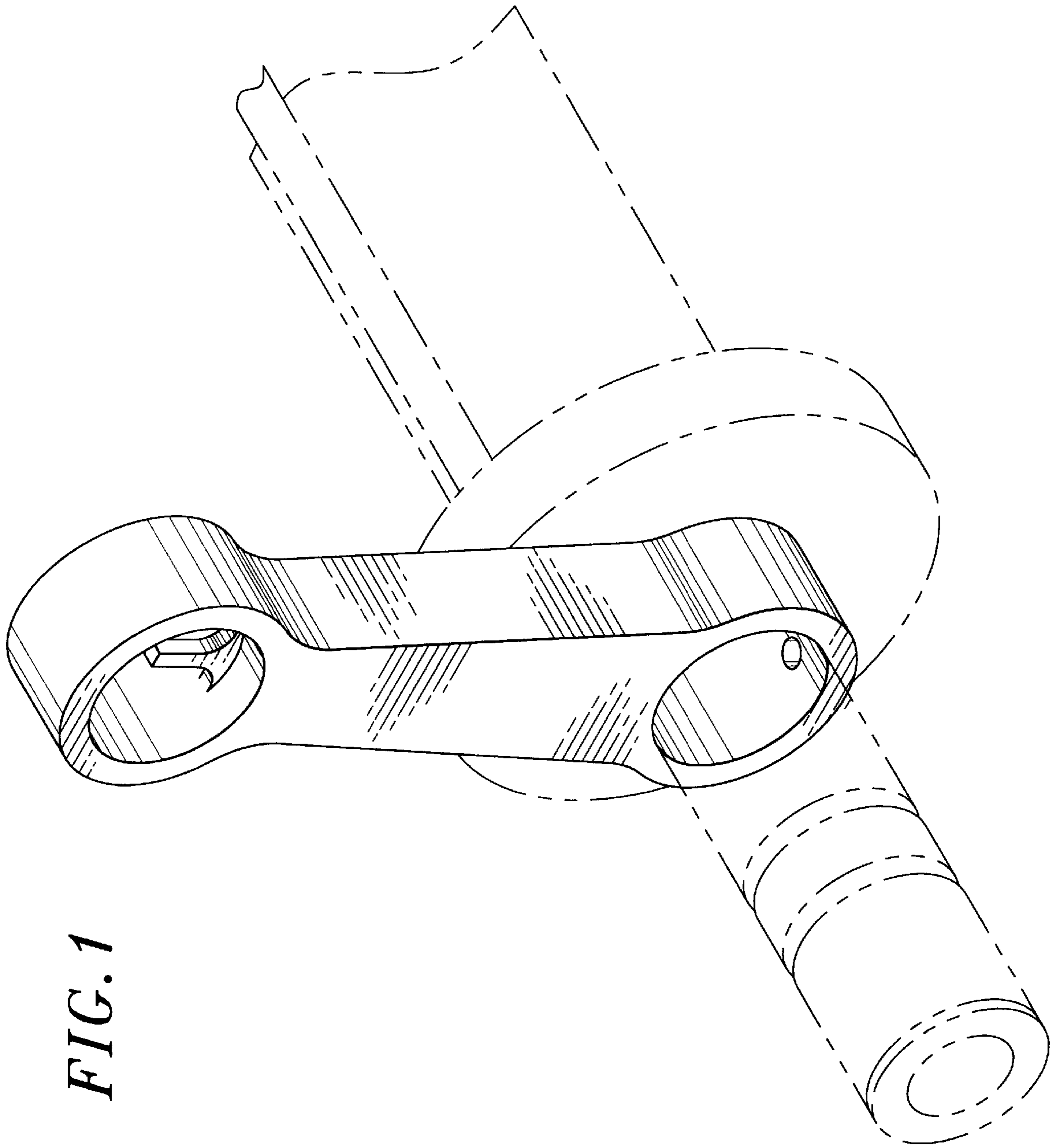
FIG. 23 is a rear view of the sight of FIG. 23; and,

FIG. 24 is a left side view of the sight of FIG. 19.

The broken line showing of a gun barrel in FIG. 1, an extension in FIGS. 4-6, 8-12, 14-18, 20-22, and 24, and a pivot in FIG. 13, is for illustrative purposes only and forms no part of the claimed design.

**1 Claim, 12 Drawing Sheets**





*FIG. 1*

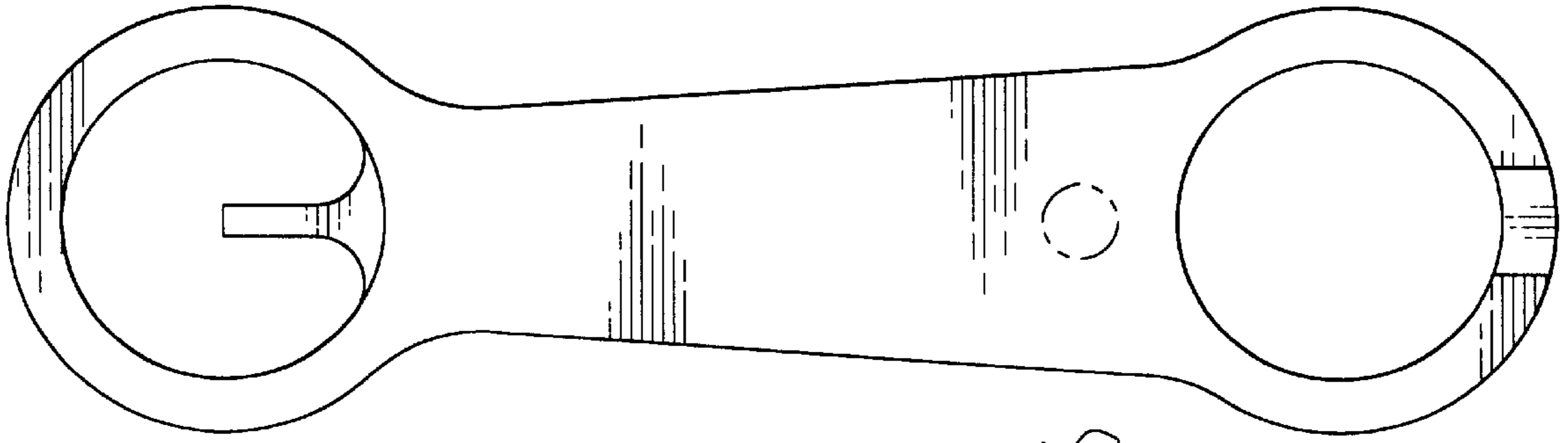


FIG. 6

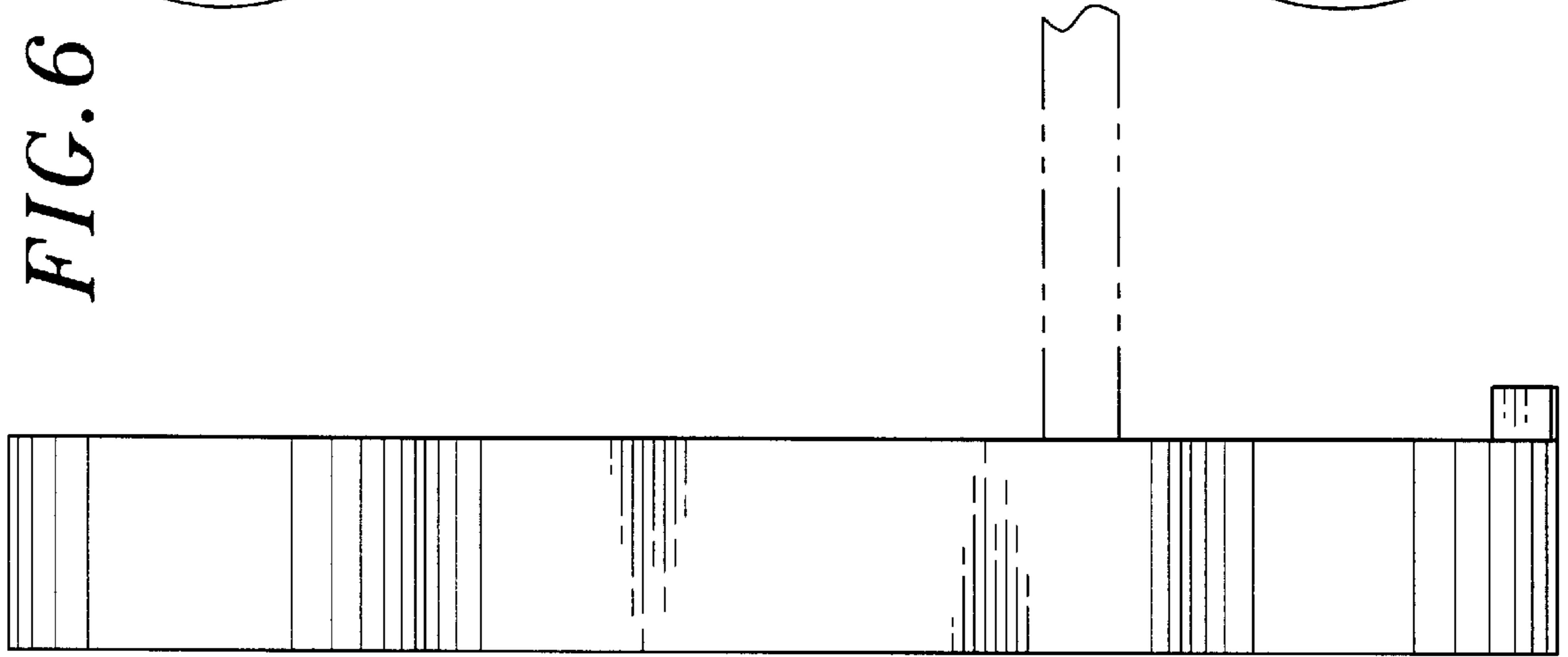


FIG. 3

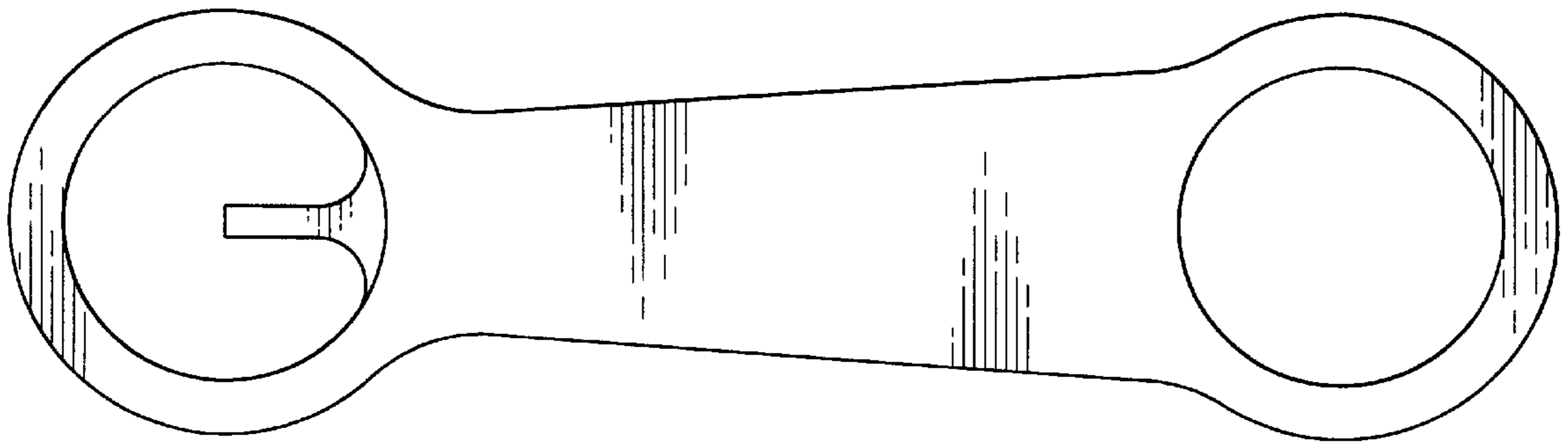
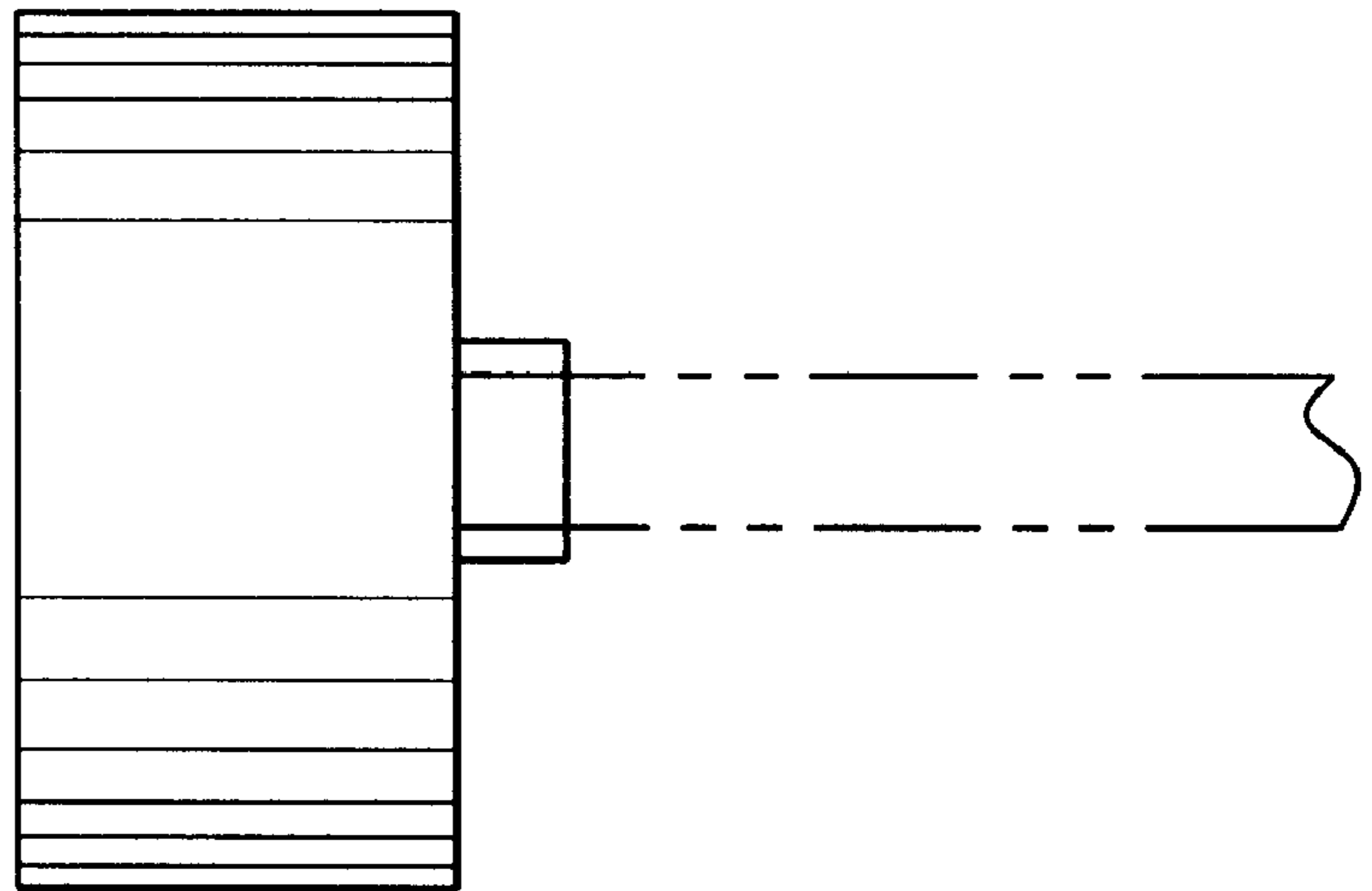
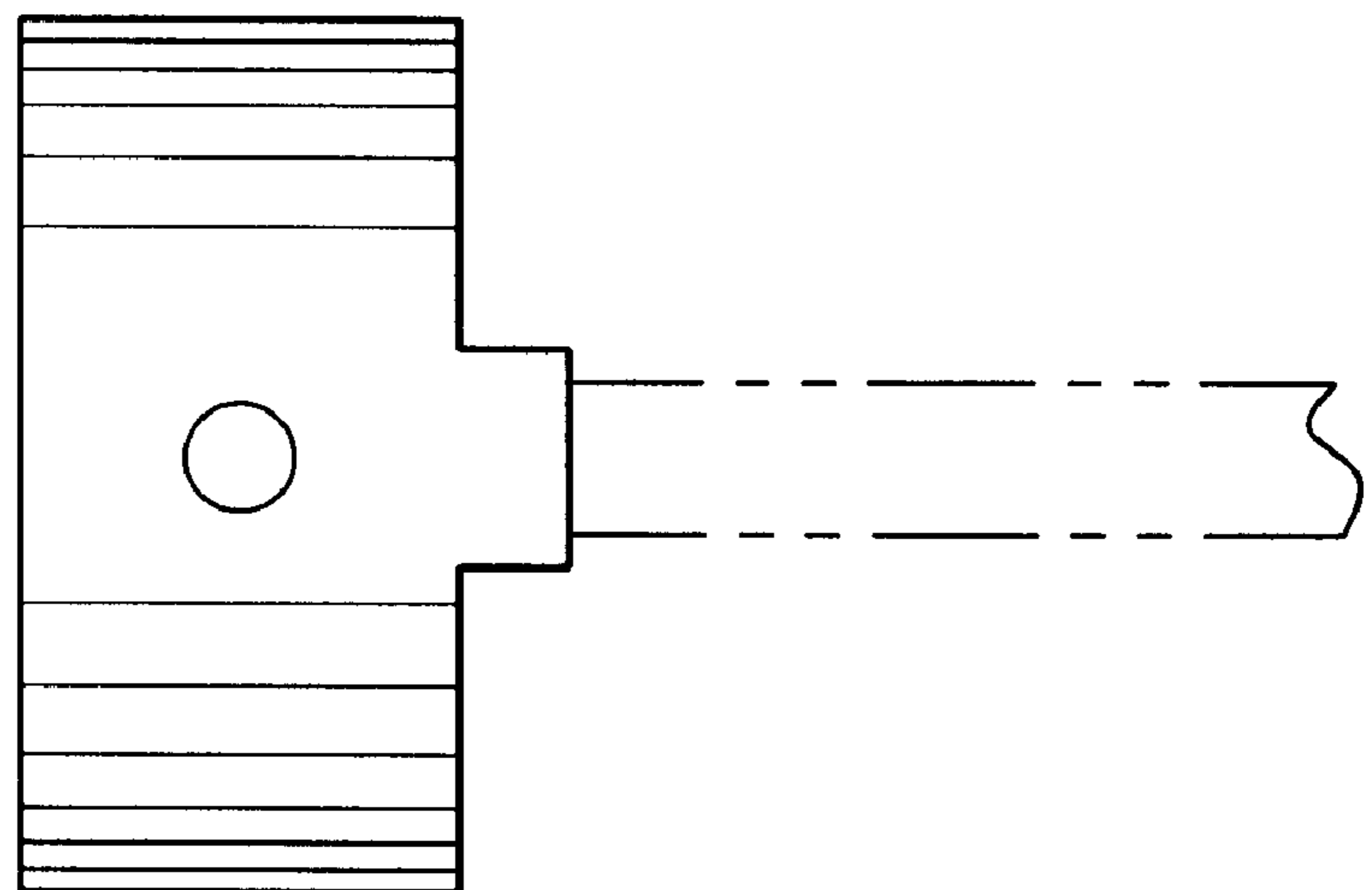


FIG. 2

*FIG. 4*



*FIG. 5*



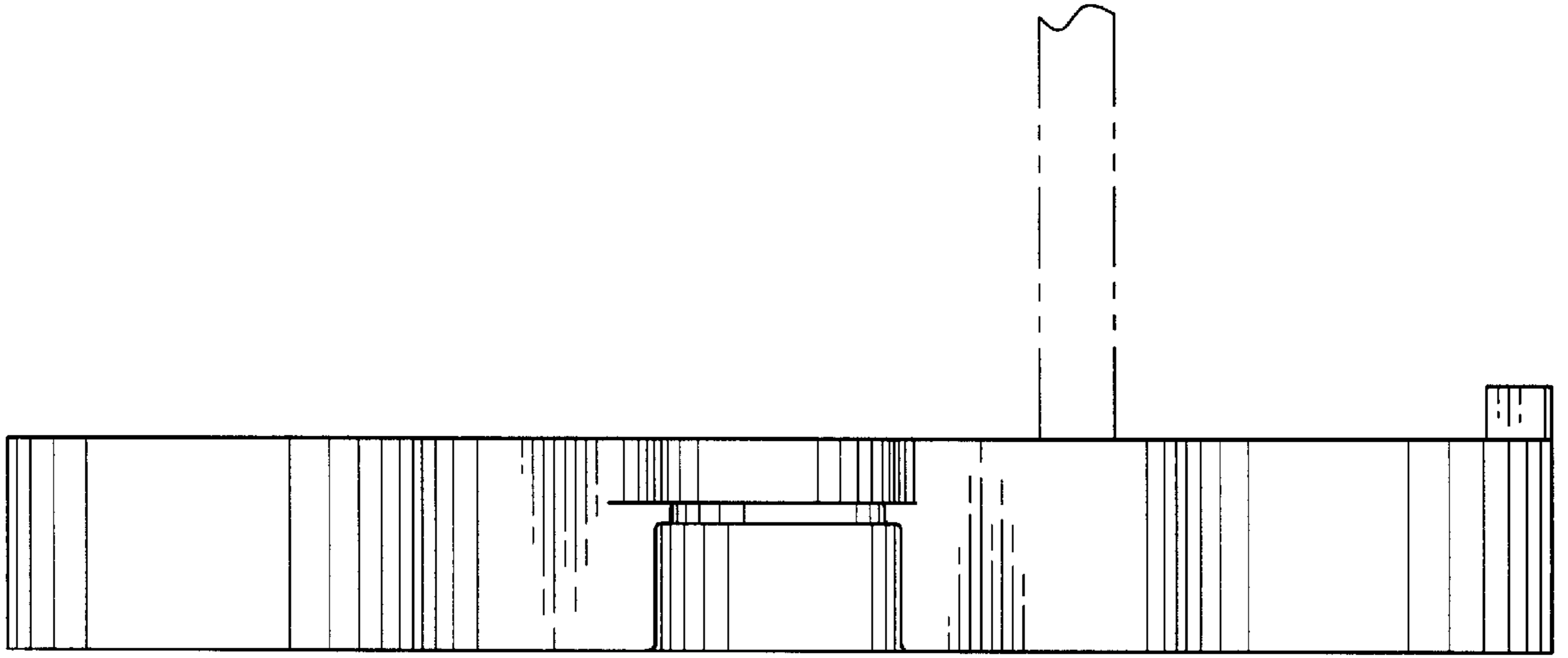


FIG. 8

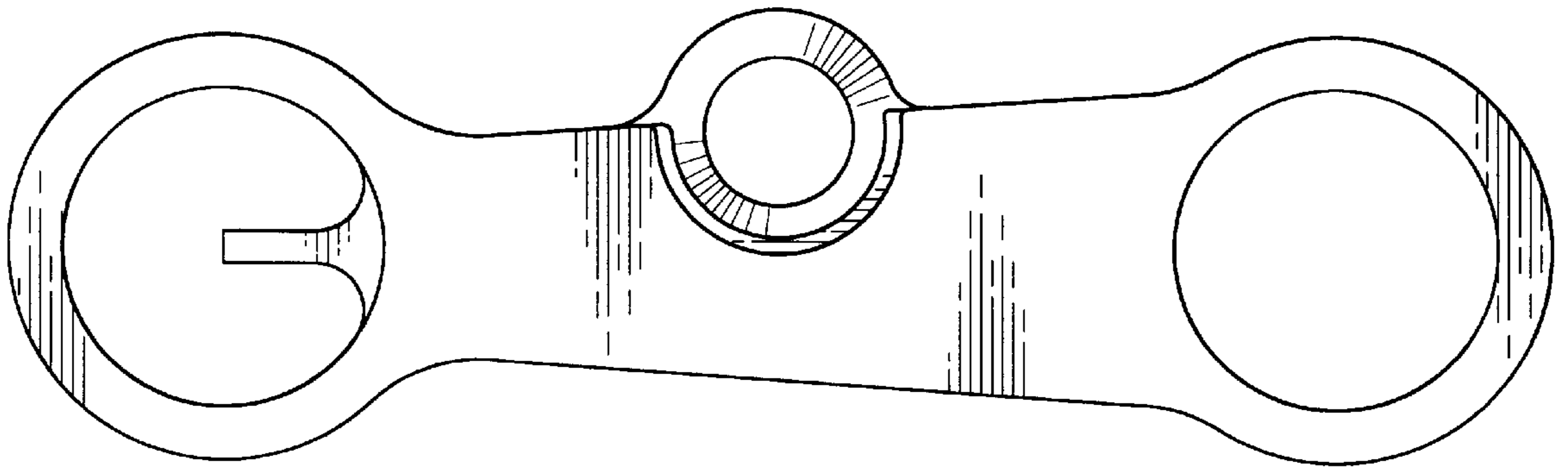
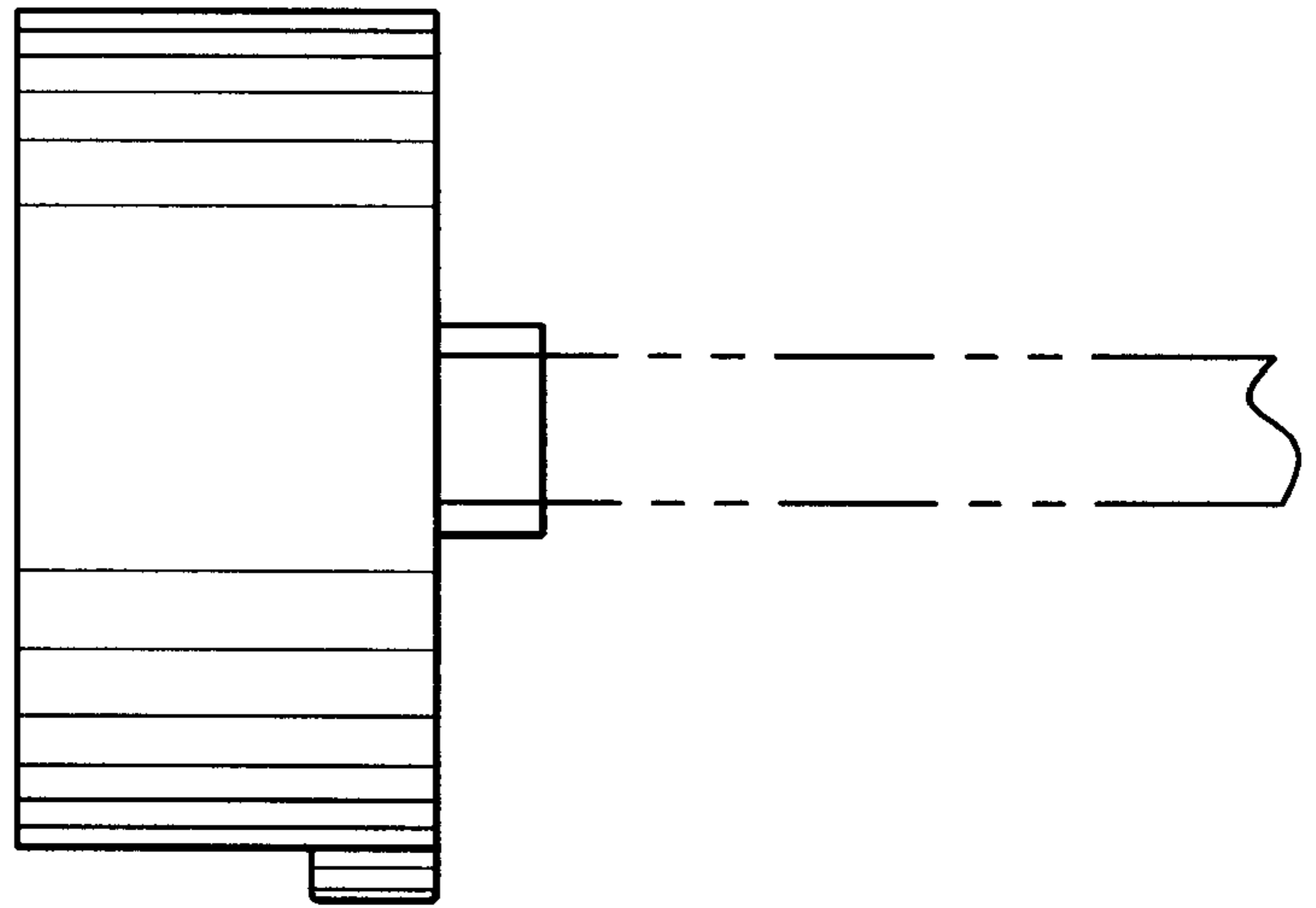
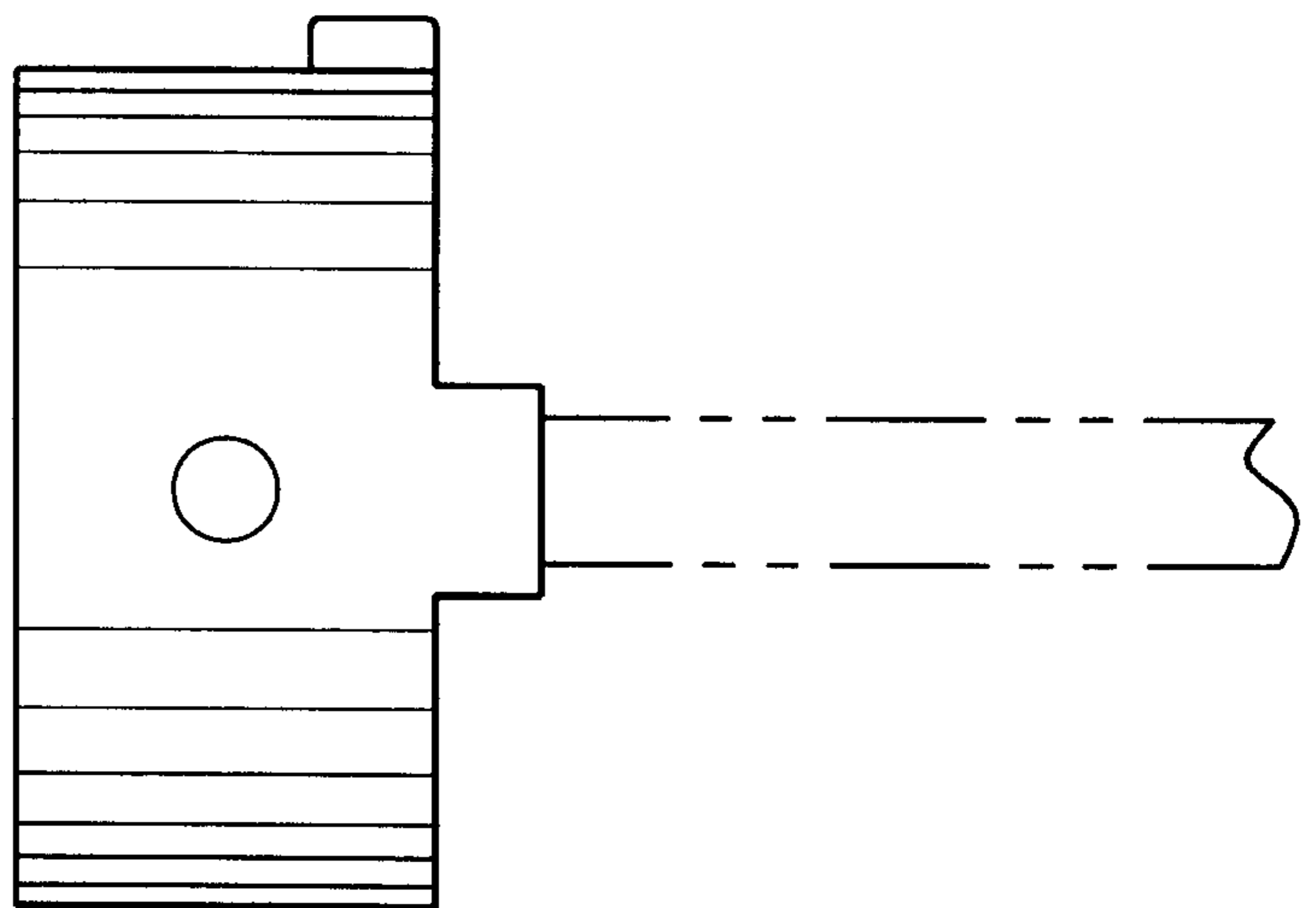


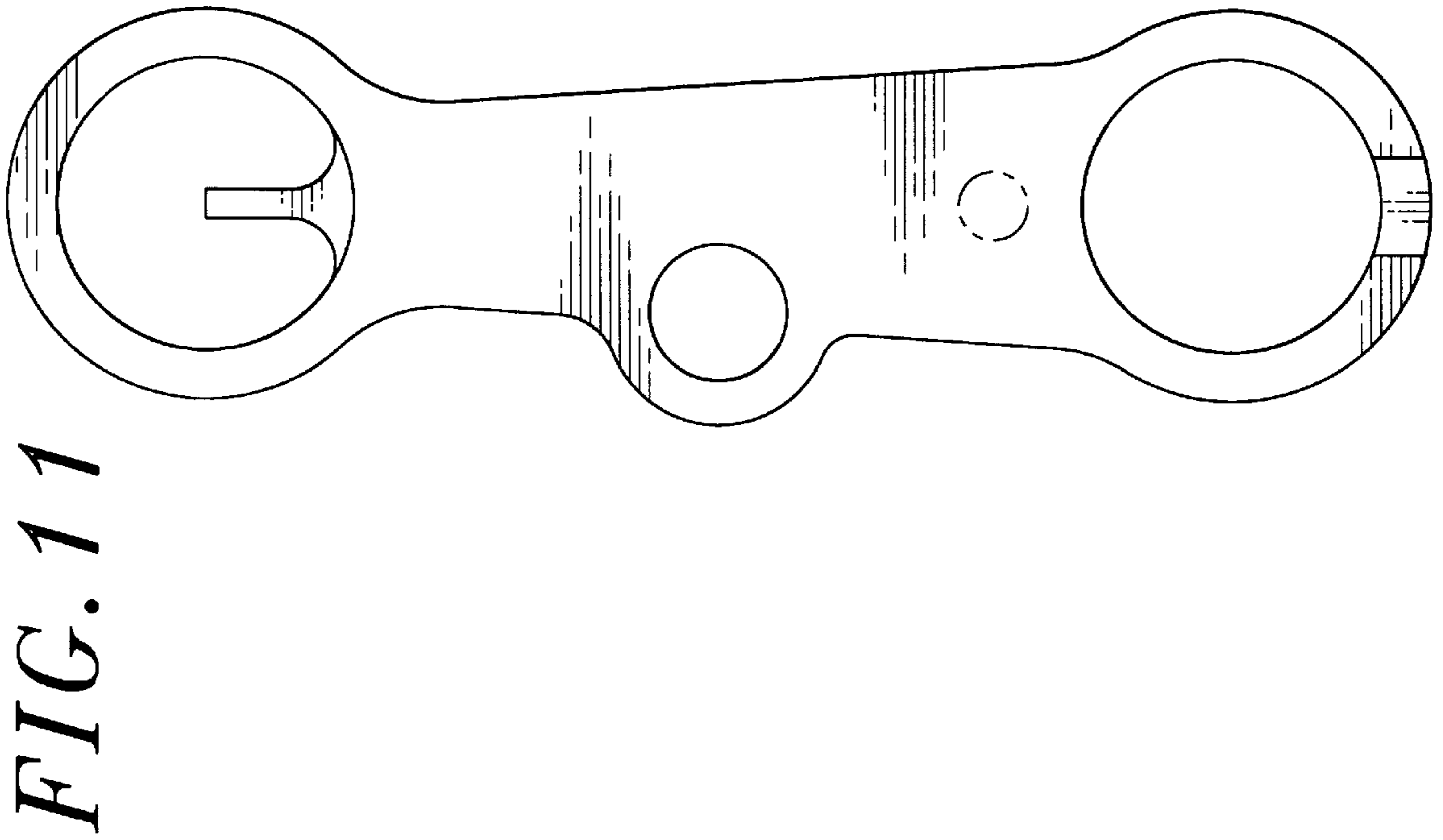
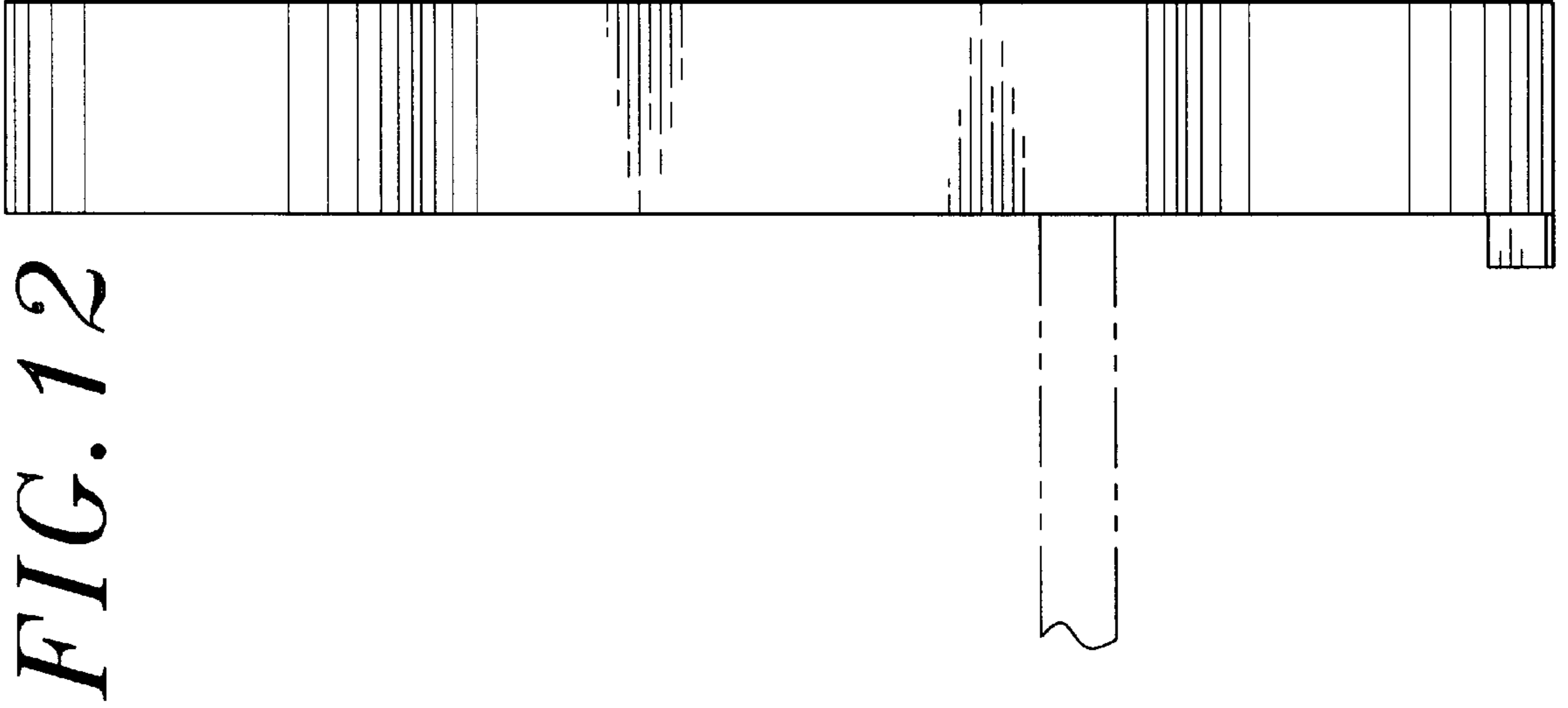
FIG. 7

*FIG. 9*



*FIG. 10*





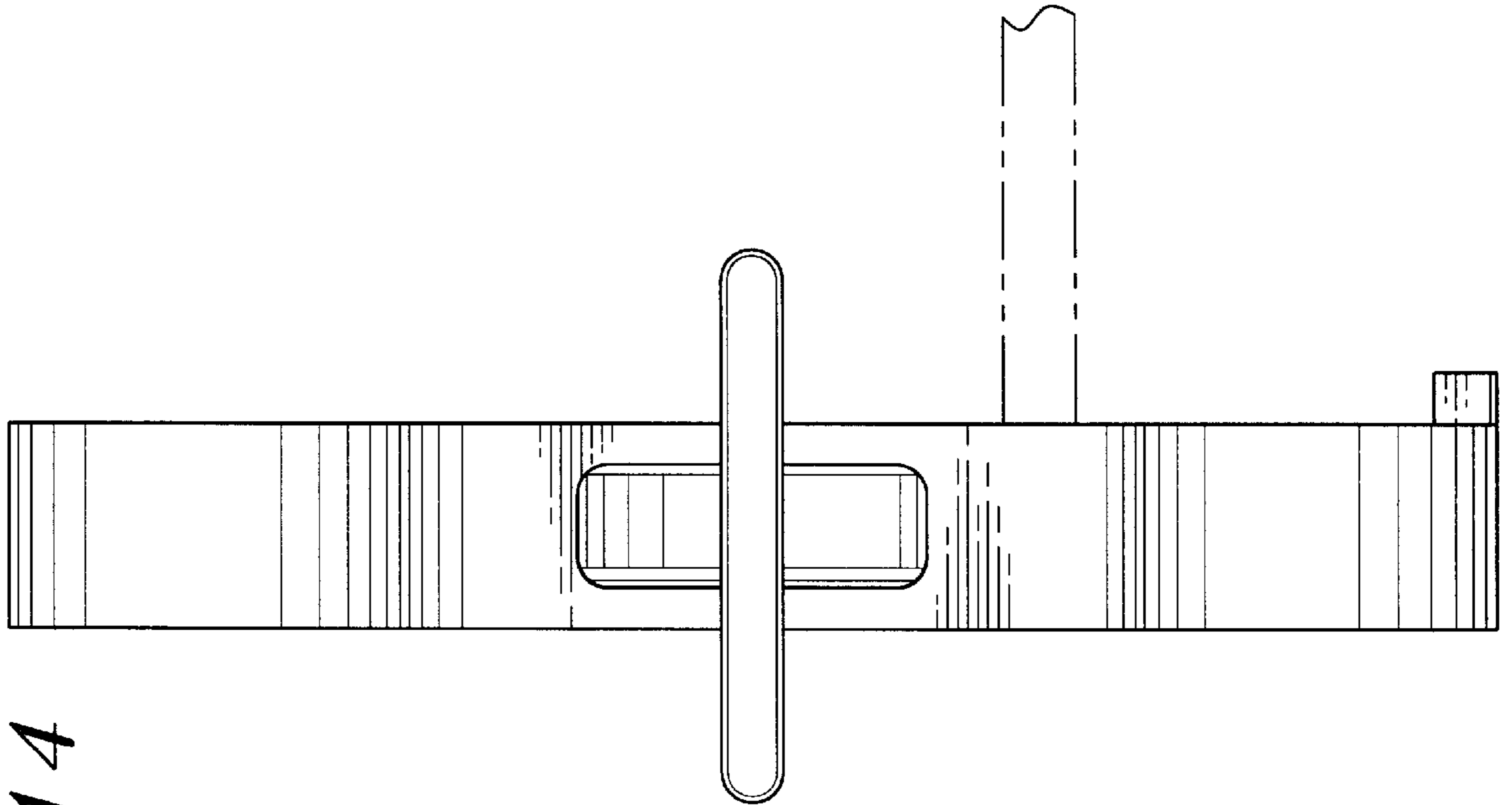


FIG. 14

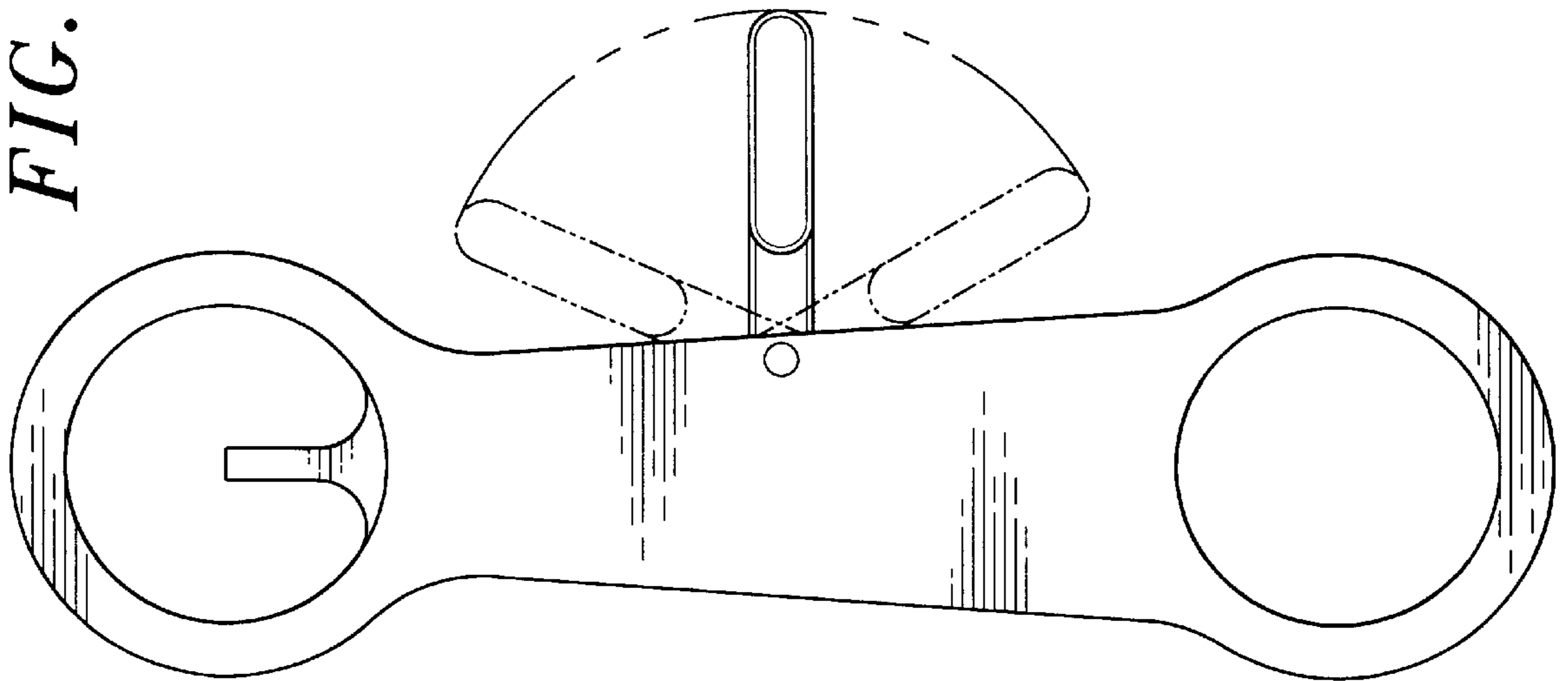
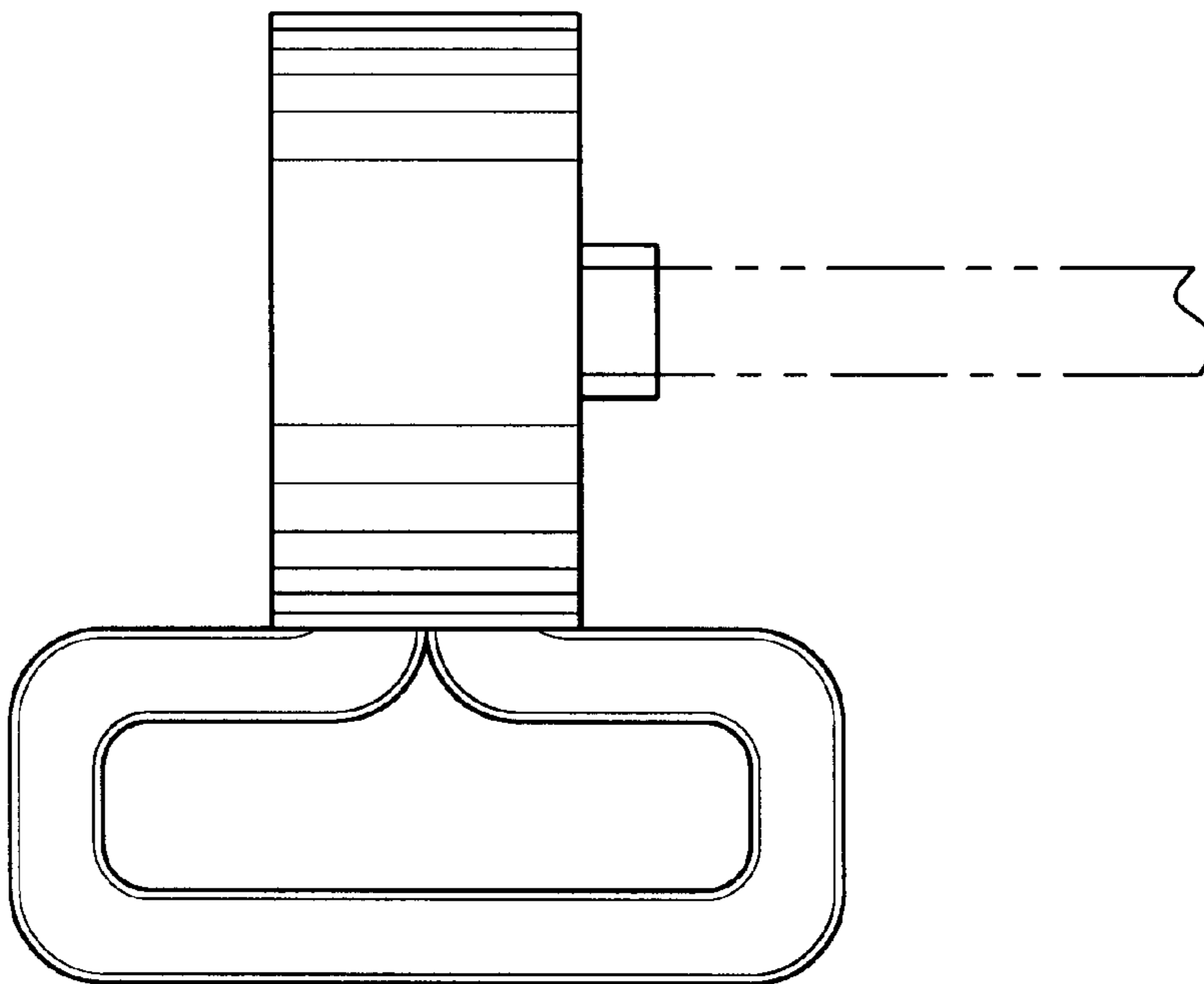


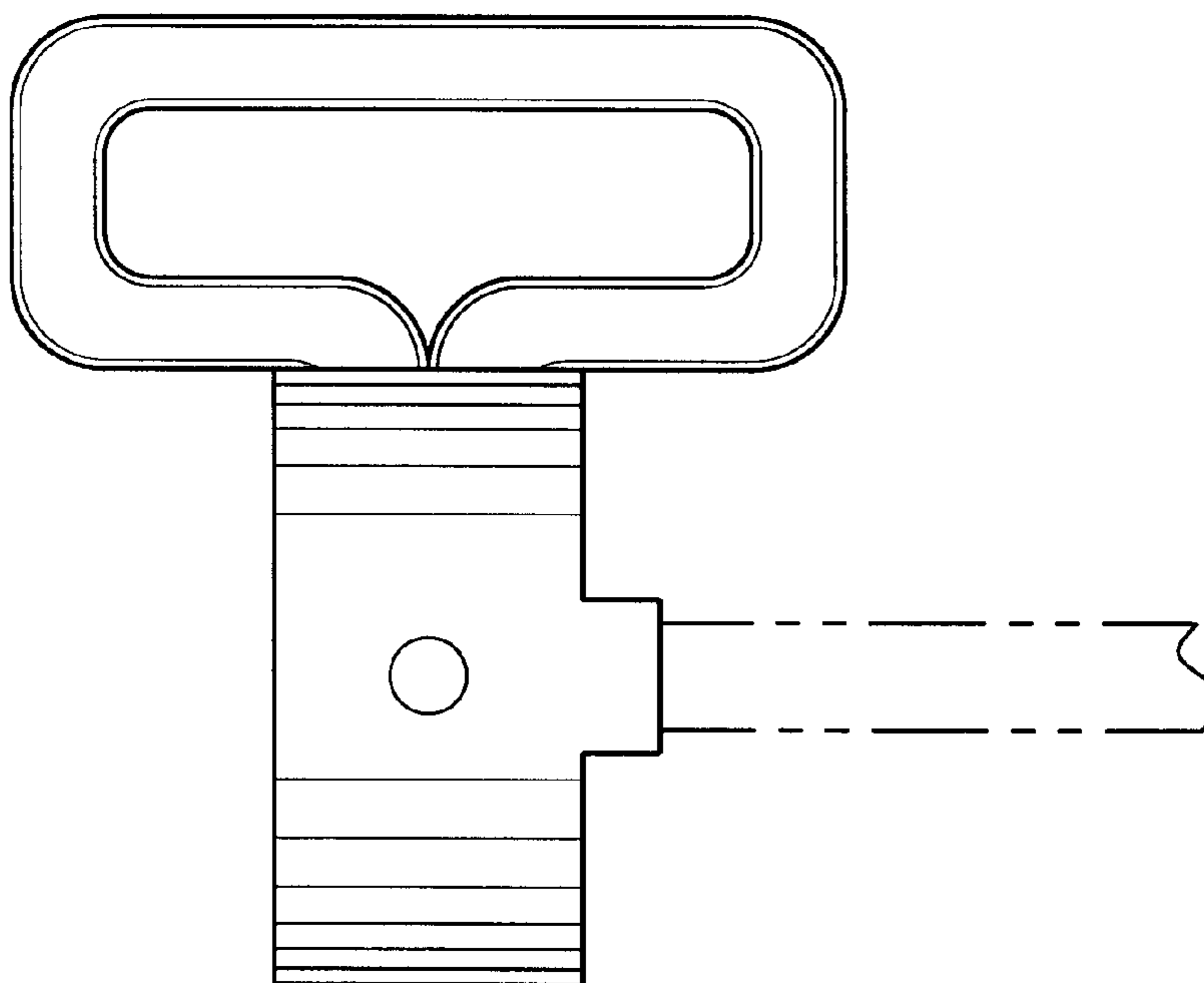
FIG. 13



*FIG. 15*



*FIG. 16*



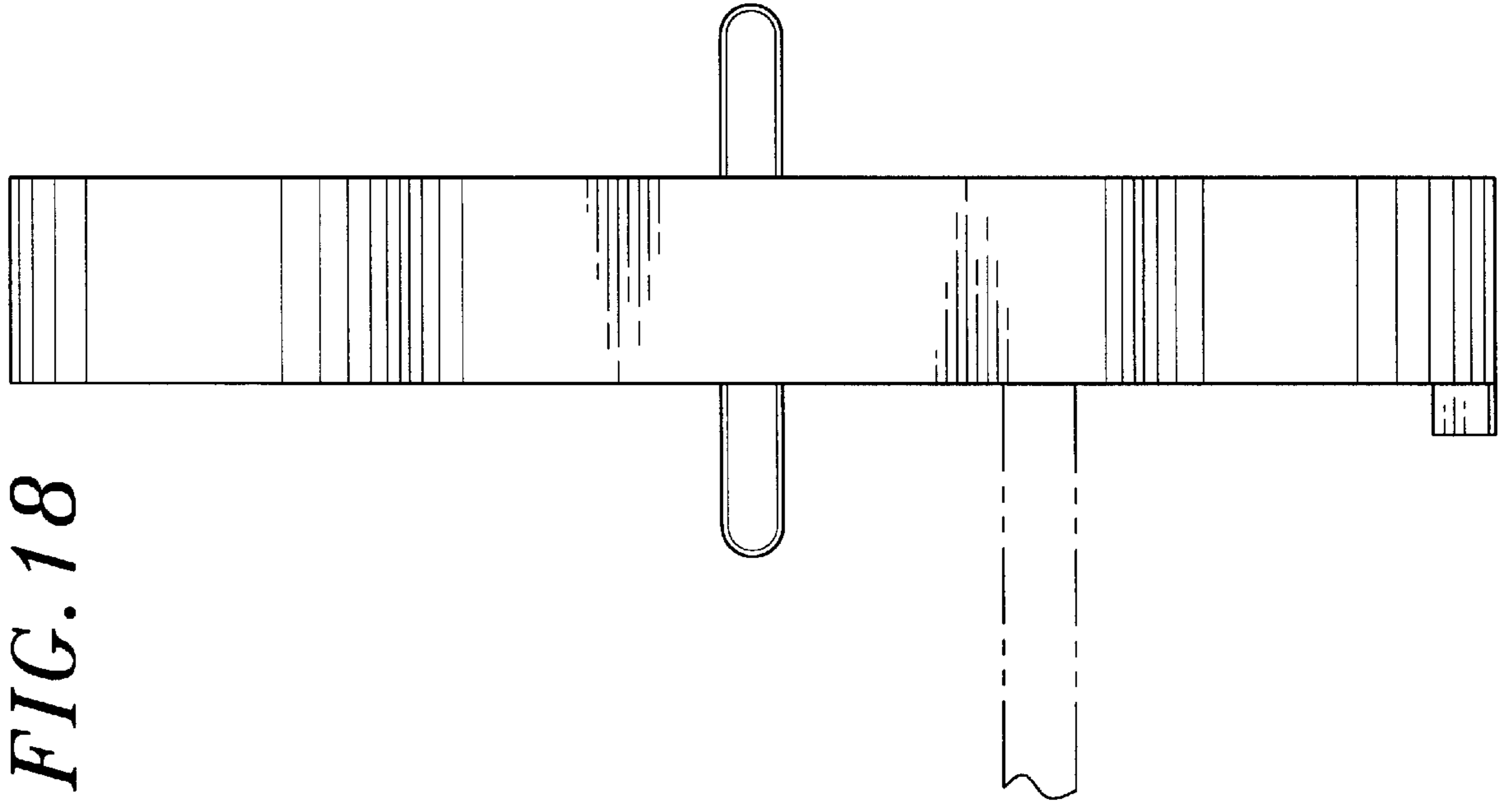


FIG. 17

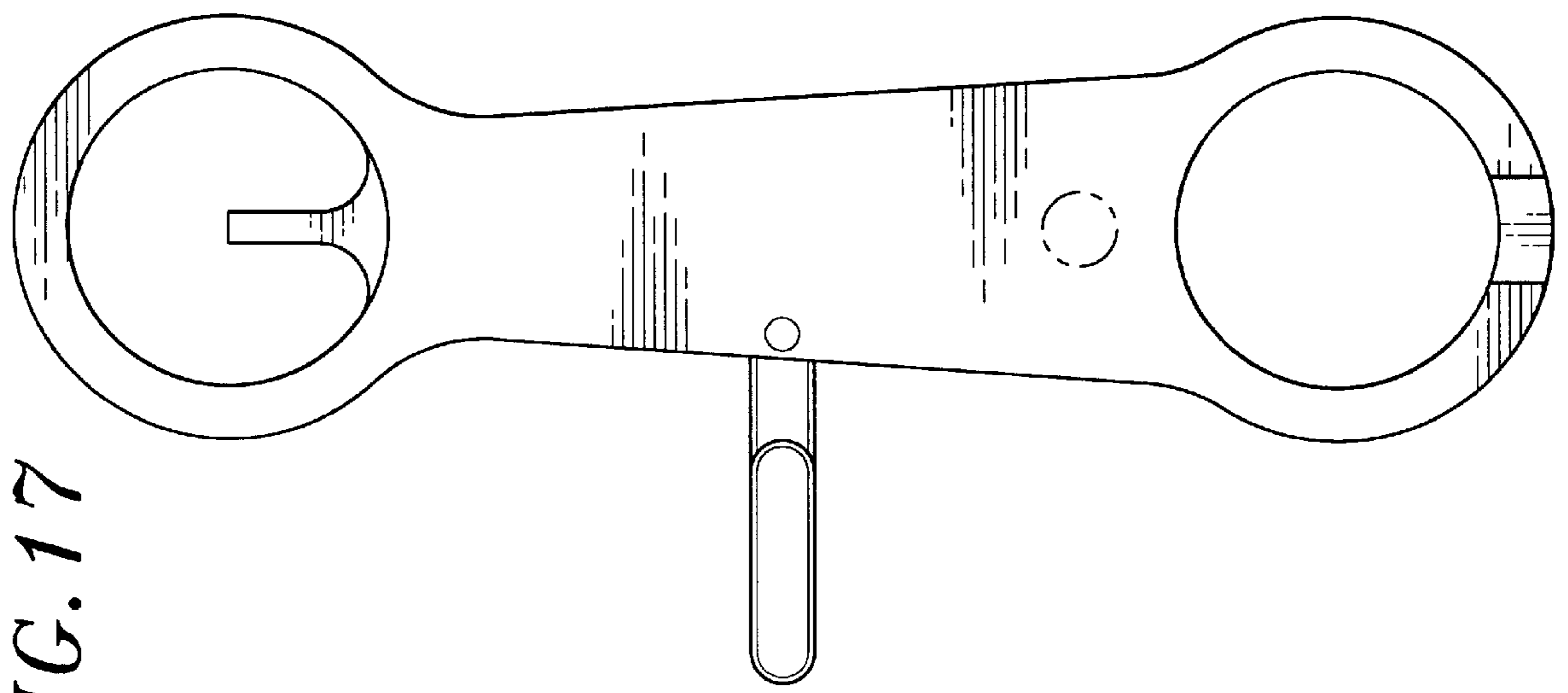


FIG. 18

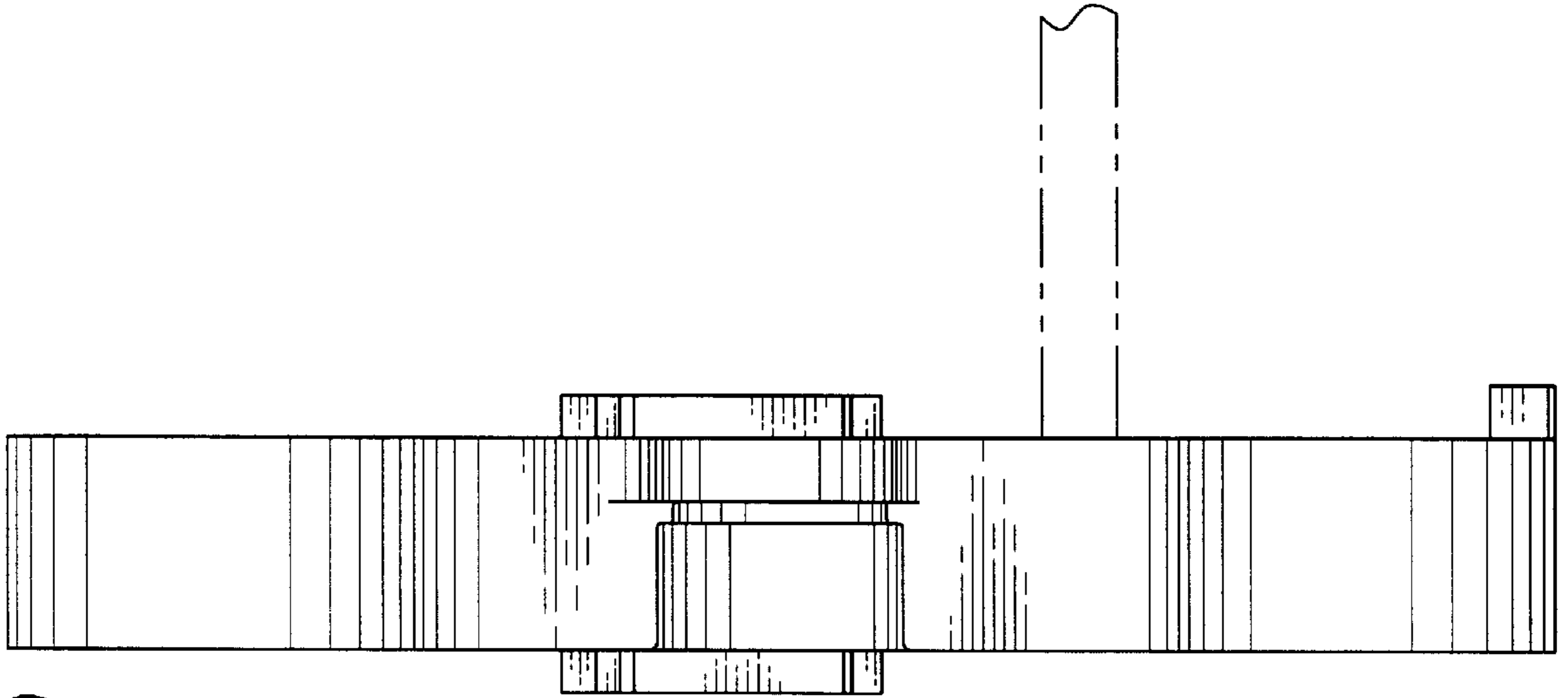


FIG. 20

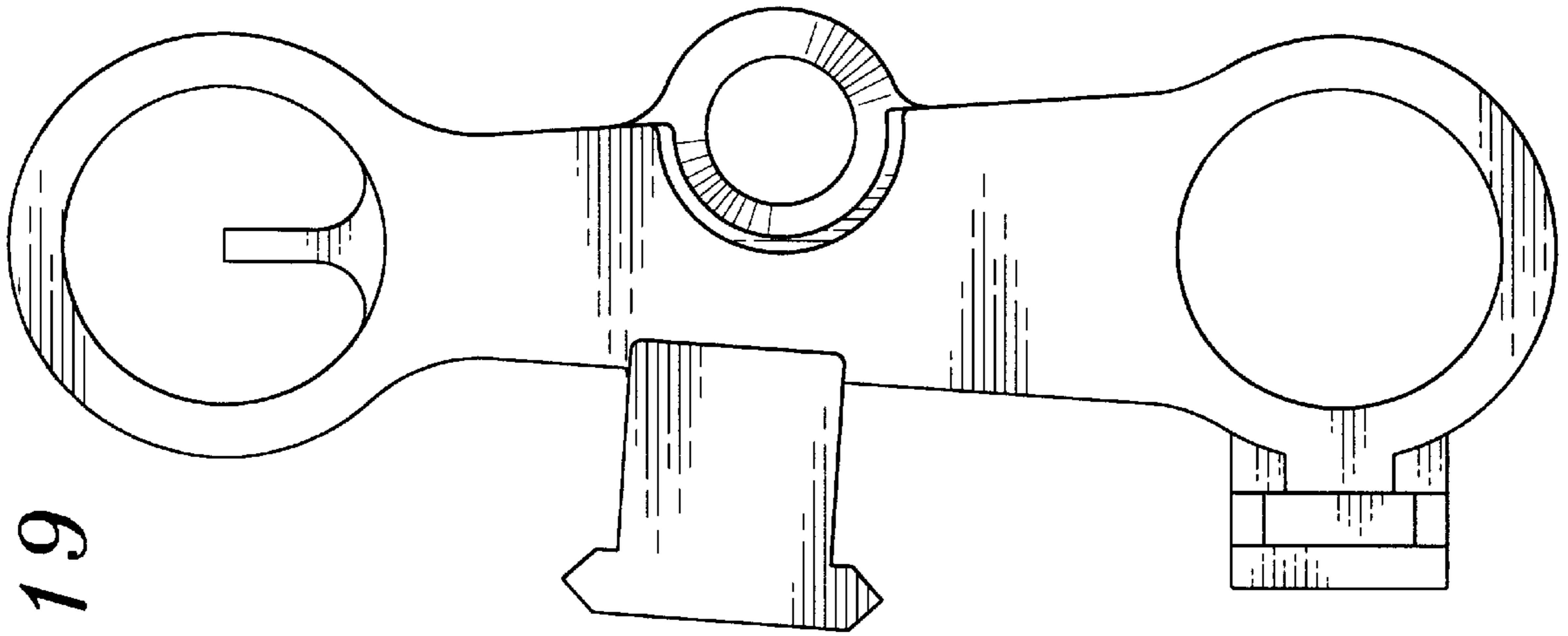
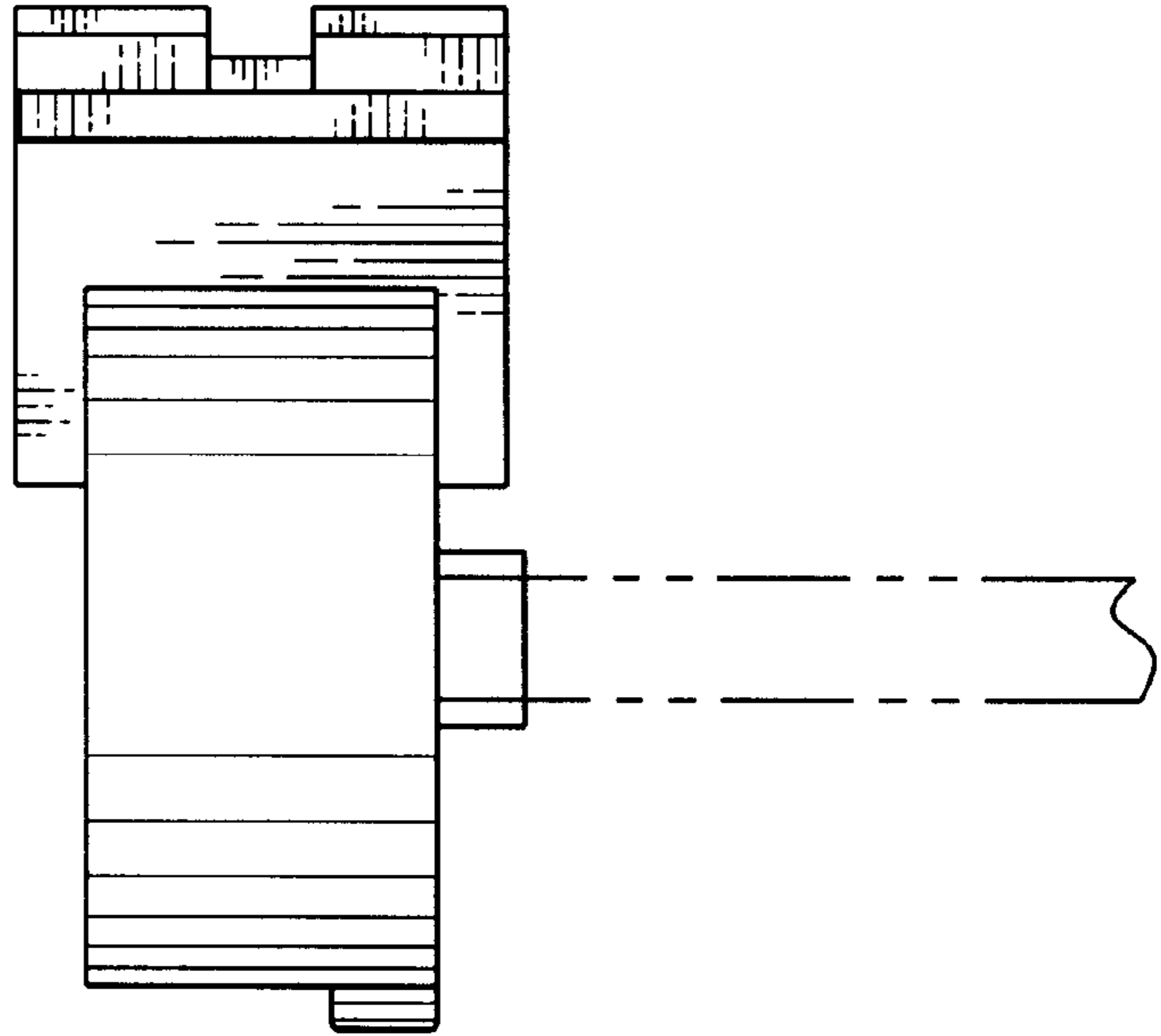
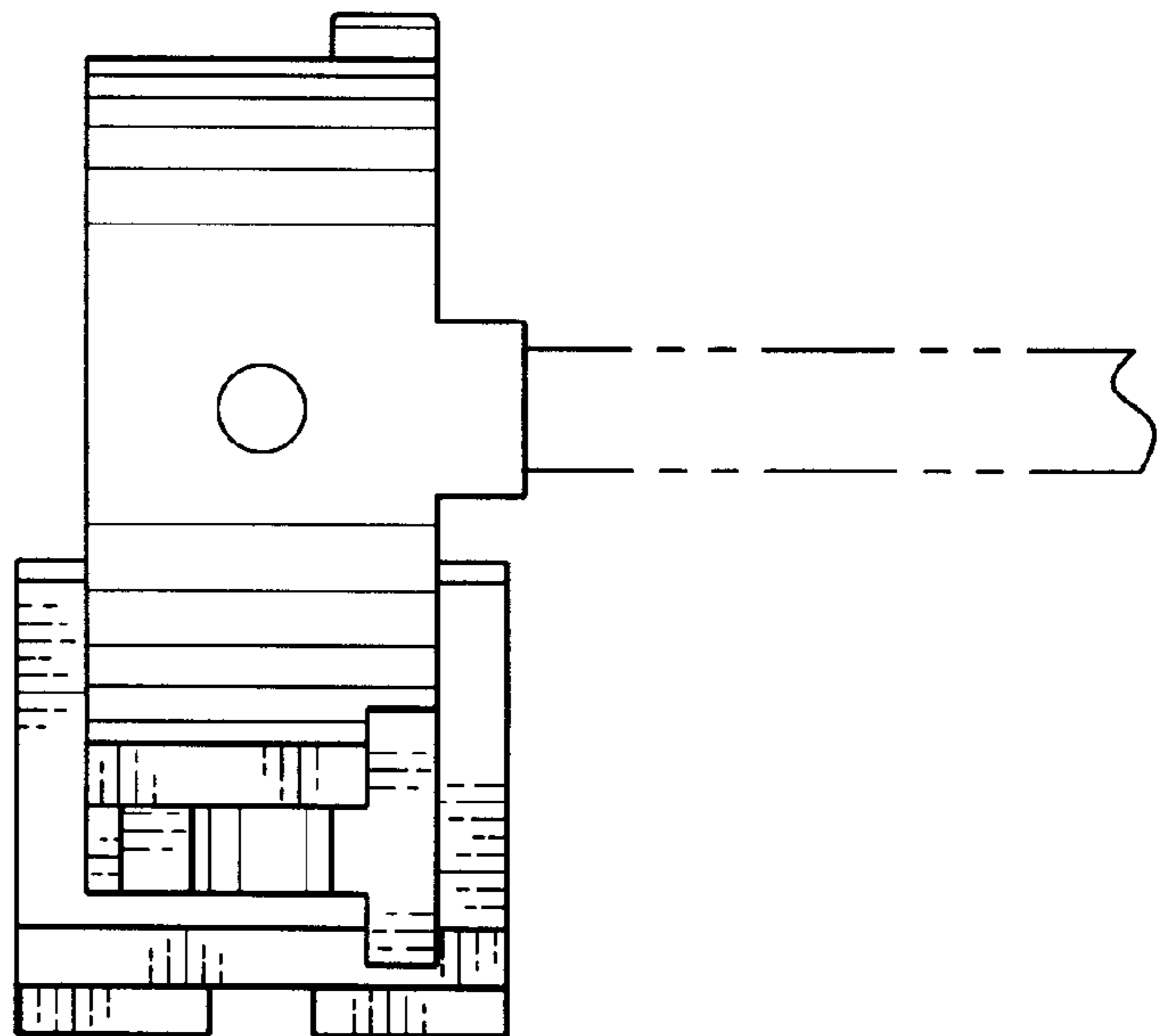


FIG. 19

*FIG. 21*



*FIG. 22*



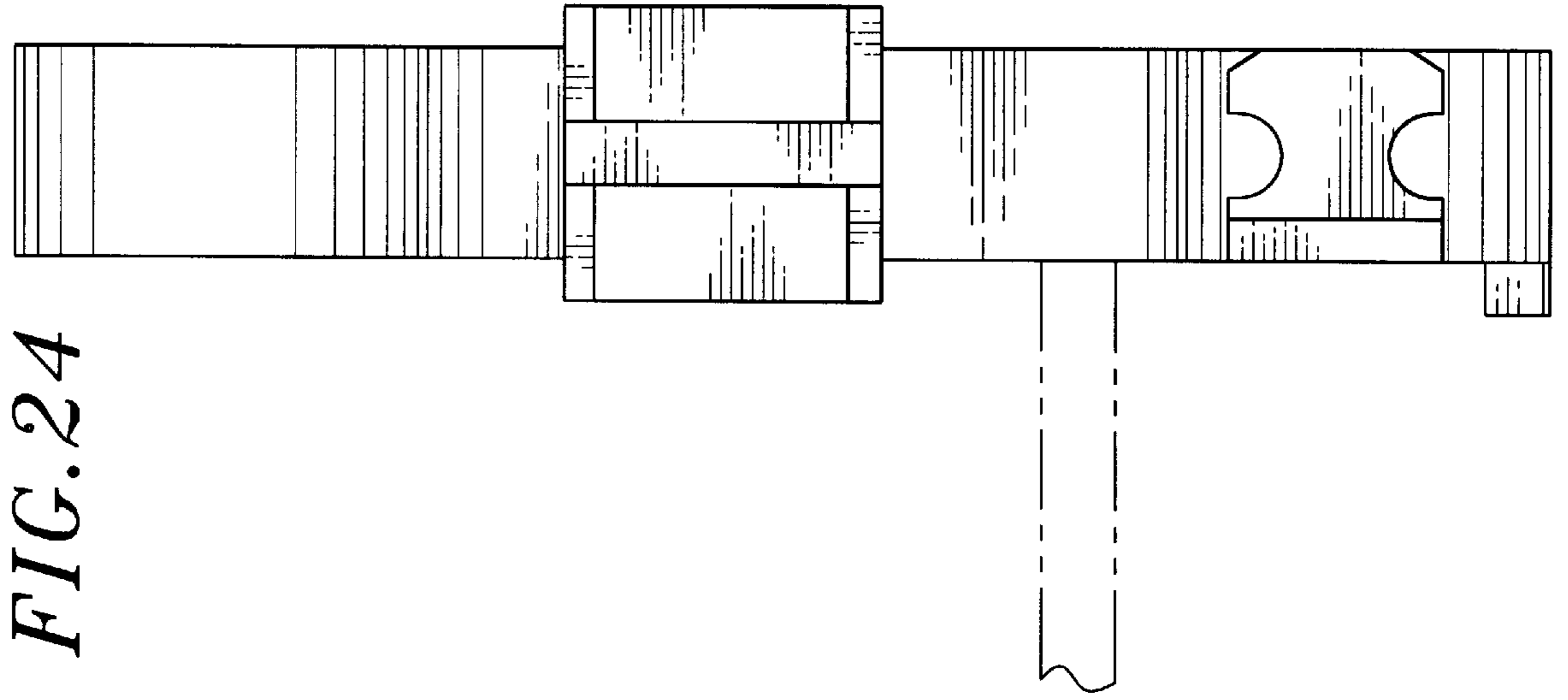


FIG. 24

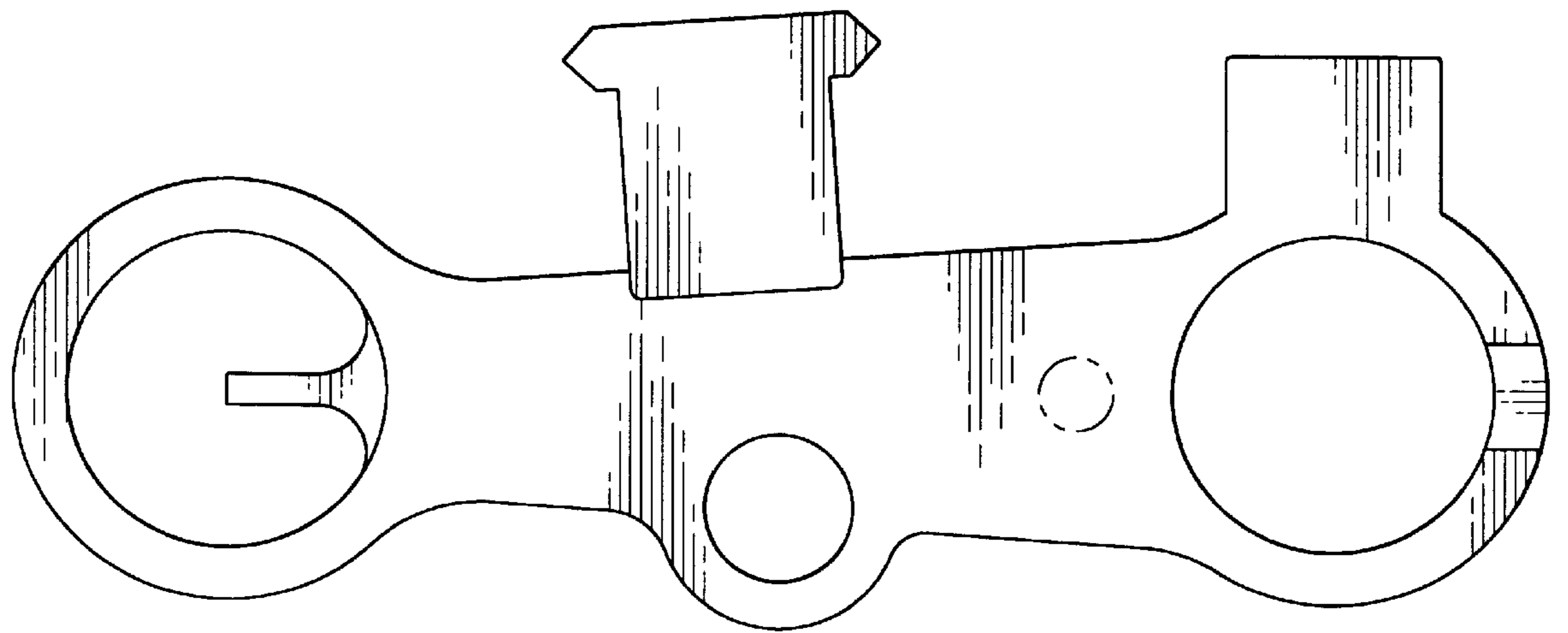


FIG. 23