



US00D411867S

# United States Patent [19]

Cameron et al.

[11] Patent Number: Des. 411,867

[45] Date of Patent: \*\* Jul. 6, 1999

[54] PORTION OF A STRIKE FACE FOR A GOLF CLUB HEAD

[75] Inventors: Don T. Cameron, Carlsbad; Scott A. Knutson, El Cajon; Terrill R. McCabe, Carlsbad, all of Calif.

[73] Assignee: Cobra Golf Incorporated, Carlsbad, Calif.

[\*\*] Term: 14 Years

[21] Appl. No.: 29/065,180

[22] Filed: Jan. 23, 1997

[51] LOC (6) Cl. .... 21-02

[52] U.S. Cl. .... D21/759

[58] Field of Search ..... D21/736-746, D21/753, 759; 473/340, 341, 334, 335

### [56] References Cited

#### U.S. PATENT DOCUMENTS

D. 249,082	8/1978	McCreary	.....	D21/740
D. 271,317	11/1983	Brel	.	
D. 343,434	1/1994	Helmstetter et al.	.....	D21/214
D. 350,176	8/1994	Antonious	.....	D21/214
D. 351,443	10/1994	Caugh et al.	.	
D. 356,845	3/1995	Lutts	.....	D21/738
D. 363,750	10/1995	Reed	.....	D21/214
D. 368,126	3/1996	Magerman et al.	.....	D21/743
D. 373,161	8/1996	Schmidt et al.	.	
D. 385,935	11/1997	Cameron	.....	D21/759
D. 389,207	1/1998	Cameron	.....	D21/742
D. 392,355	3/1998	Ramirez et al.	.	
D. 400,610	11/1998	Cameron et al.	.....	D21/743
572,436	12/1896	Mills	.	
873,423	12/1907	Govan	.	
922,444	5/1909	Youds	.	
2,429,351	10/1947	Fetterolf	.	
3,134,596	5/1964	Boznos	.	
3,218,072	11/1965	Burr	.	
3,695,618	10/1972	Woolley et al.	.	

3,975,023	8/1976	Inamori	.
3,989,248	11/1976	Campau	.
4,156,526	5/1979	Huggins et al.	.
4,199,144	4/1980	Skelly	.
4,422,638	12/1983	Tucker	.
4,679,792	7/1987	Straza et al.	.
4,681,322	7/1987	Straza et al.	.
4,730,830	3/1988	Tilley	.
4,792,140	12/1988	Yamaguchi et al.	.
4,930,781	6/1990	Allen	.
5,060,951	10/1991	Allen	.
5,078,397	1/1992	Aizawa	.
5,083,778	1/1992	Douglass	.
5,301,941	4/1994	Allen	.
5,346,213	9/1994	Yamada	.
5,398,929	3/1995	Kitaichi	.
5,407,202	4/1995	Igarashi	.
5,425,535	6/1995	Gee	.

### OTHER PUBLICATIONS

Golf Equipment Universal Catalogue, 1995, Grass Hunter golf clubs, p. 448.

Primary Examiner—Mitchell I Siegel  
Attorney, Agent, or Firm—Pennie & Edmonds LLP

### [57] CLAIM

The ornamental design for a portion of a strike face for a golf club head, as shown and described.

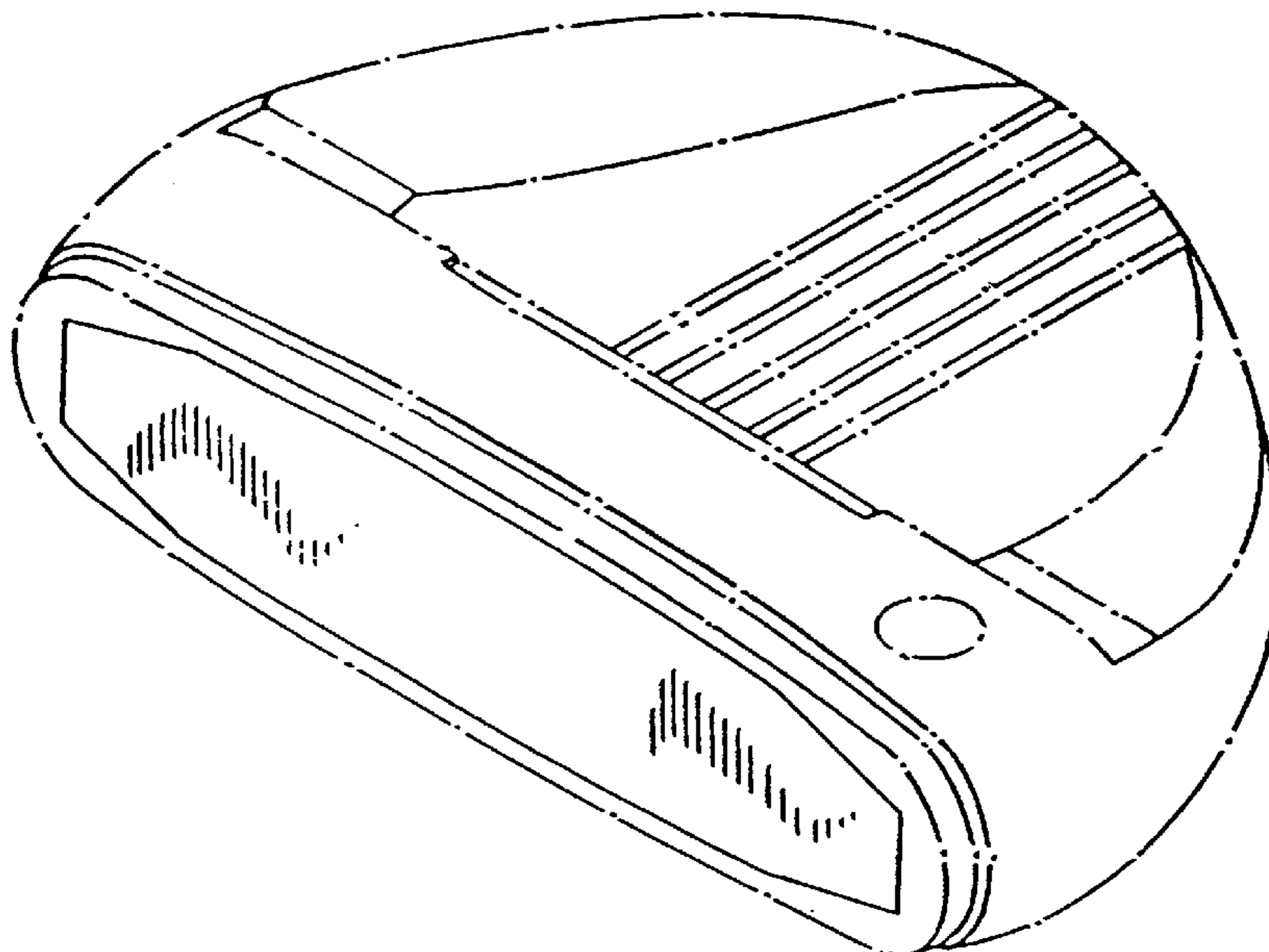
### DESCRIPTION

FIG. 1 is a front perspective view of the portion of a strike face for a golf club head of the present invention; FIG. 2 is a top elevational view thereof; and, FIG. 3 is a front elevational view thereof.

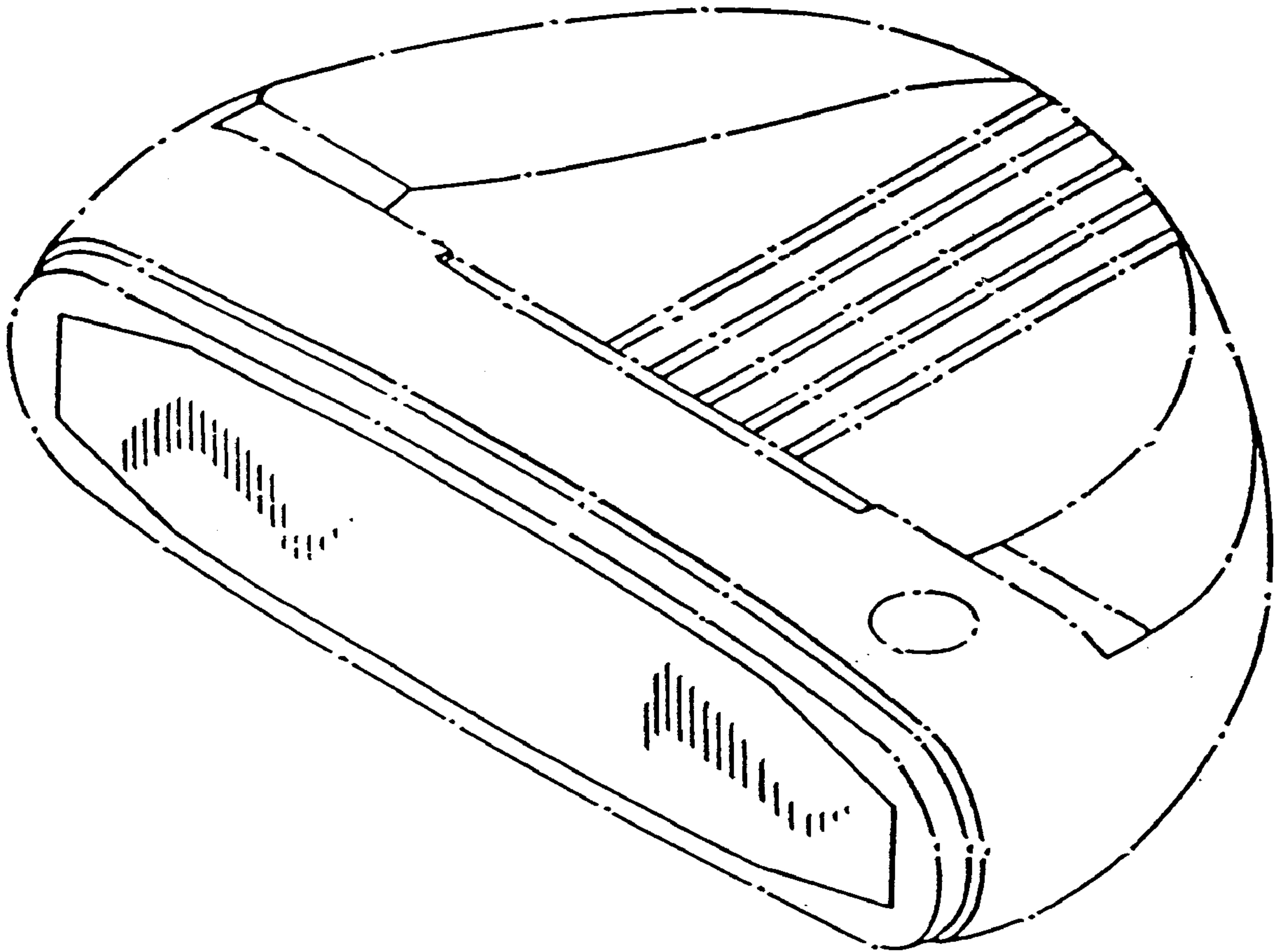
In the first embodiment shown in FIGS. 1-3, the portion of a strike face for a golf club head may be a different color than the surrounding area.

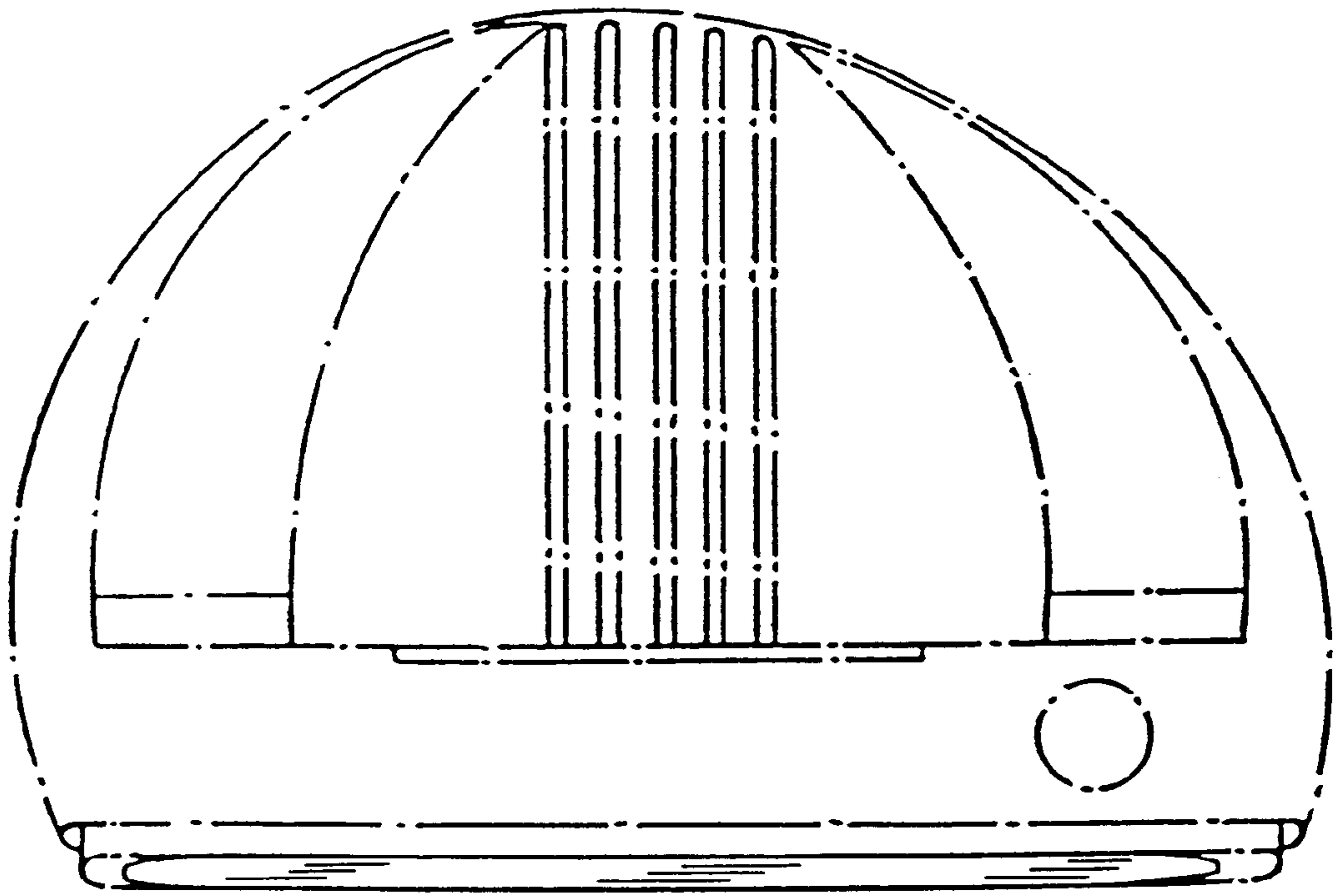
The broken line showing of a golf club head is for illustrative purposes only and forms no part of the claimed design.

1 Claim, 2 Drawing Sheets

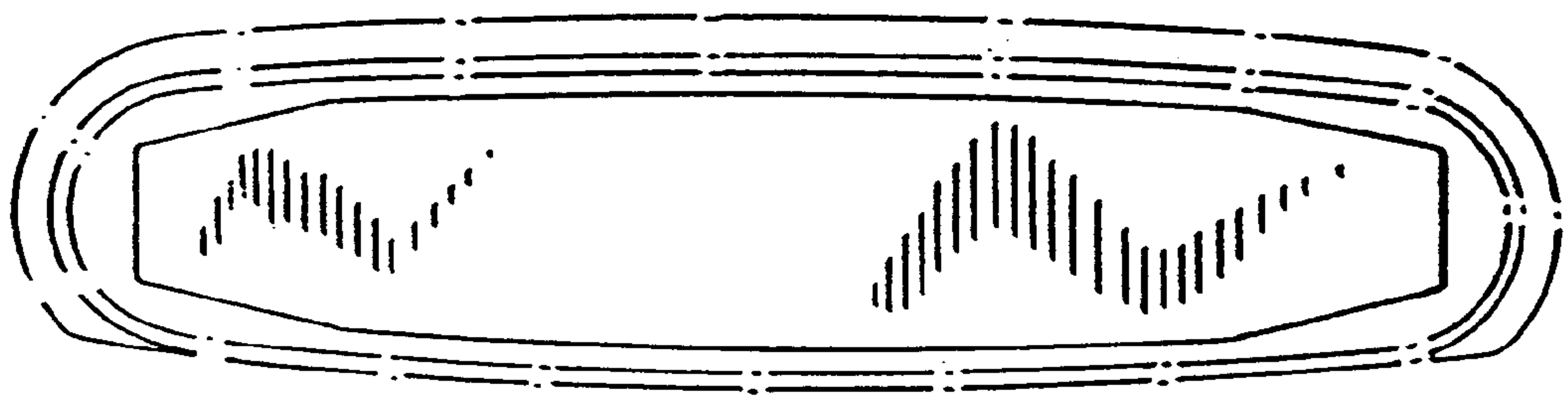


*FIG. 1*





*FIG. 2*



*FIG. 3*