



US00D411865S

United States Patent [19] Mak

[11] **Patent Number: Des. 411,865**

[45] **Date of Patent: ** Jul. 6, 1999**

[54] **TOY BUILDING ELEMENT**

[75] **Inventor: Kai-Shun Mak**, Kwai Chung, The Hong Kong Special Administrative Region of the People's Republic of China

[73] **Assignee: Hop Lee Cheong Industrial Limited**, The Hong Kong Special Administrative Region of the People's Republic of China

[**] **Term: 14 Years**

[21] **Appl. No.: 29/083,178**

[22] **Filed: Jan. 29, 1998**

[51] **LOC (6) Cl. 21-01**

[52] **U.S. Cl. D21/504**

[58] **Field of Search** D21/483-505;
D19/20, 25; 446/85, 117, 118, 122, 124,
120, 128

[56] **References Cited**

U.S. PATENT DOCUMENTS

D. 15,419 9/1884 Smith .

D. 222,304	10/1971	Smith	D19/25
D. 296,344	6/1988	Olsen .	
3,527,004	9/1970	Sorensen	446/85
3,566,529	3/1971	Kner	446/128
3,608,906	9/1971	Odier	446/85
5,035,666	7/1991	Kang	446/118
5,221,223	6/1993	Kao	446/85
5,354,224	10/1994	Ishiyama	446/117

Primary Examiner—Raphael Barkai
Attorney, Agent, or Firm—Samuels, Gauthier & Stevens

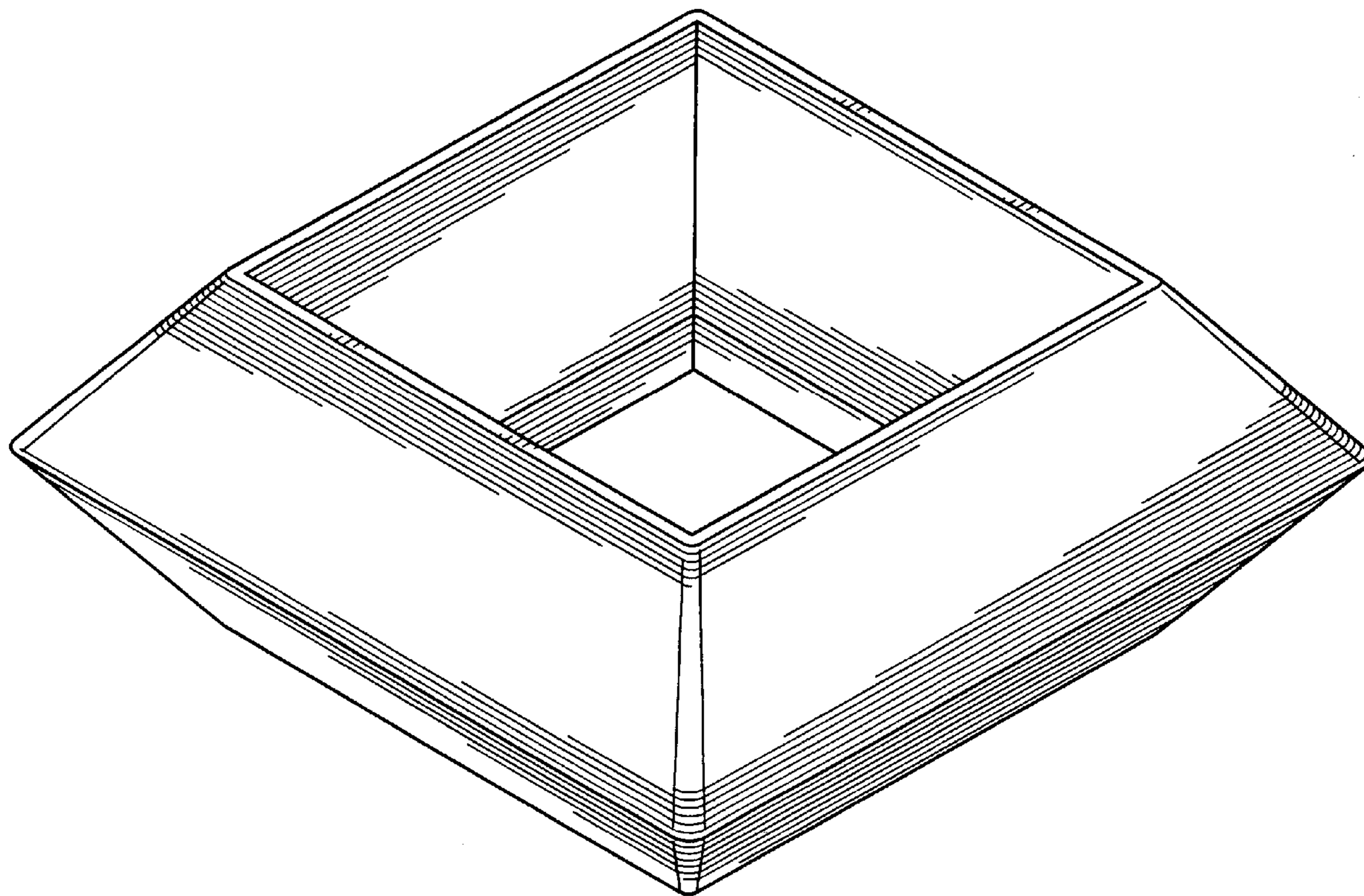
[57] **CLAIM**

The ornamental design for “a toy building element”, as shown and described.

DESCRIPTION

FIG. 1 is the front perspective view showing my new design; FIG. 2 is the front view thereof; FIG. 3 is the left-hand view thereof; FIG. 4 is the right-hand view thereof; FIG. 5 is the rear view thereof; FIG. 6 is the top view thereof; and, FIG. 7 is the bottom view thereof.

1 Claim, 4 Drawing Sheets



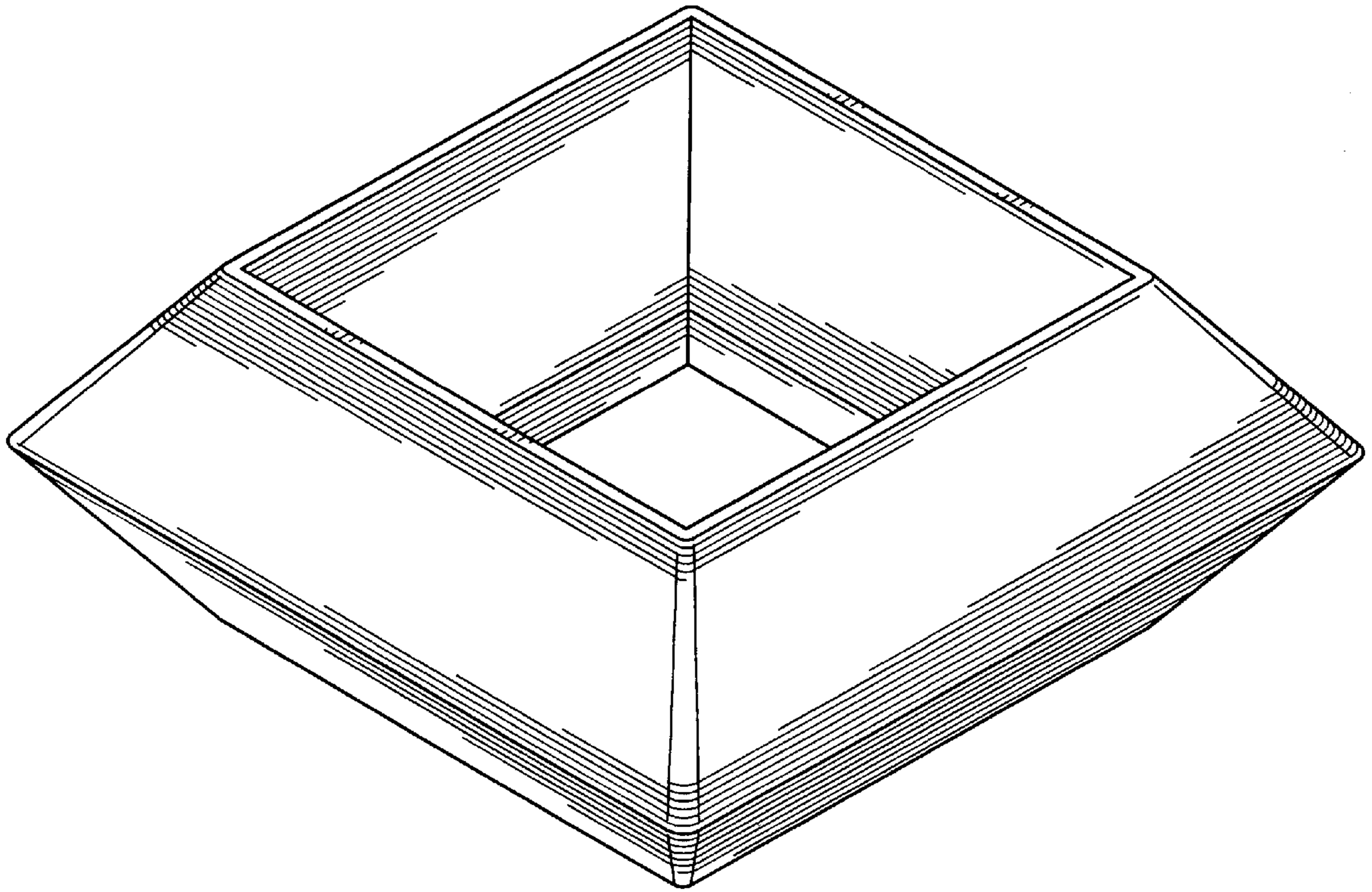


FIG. 1

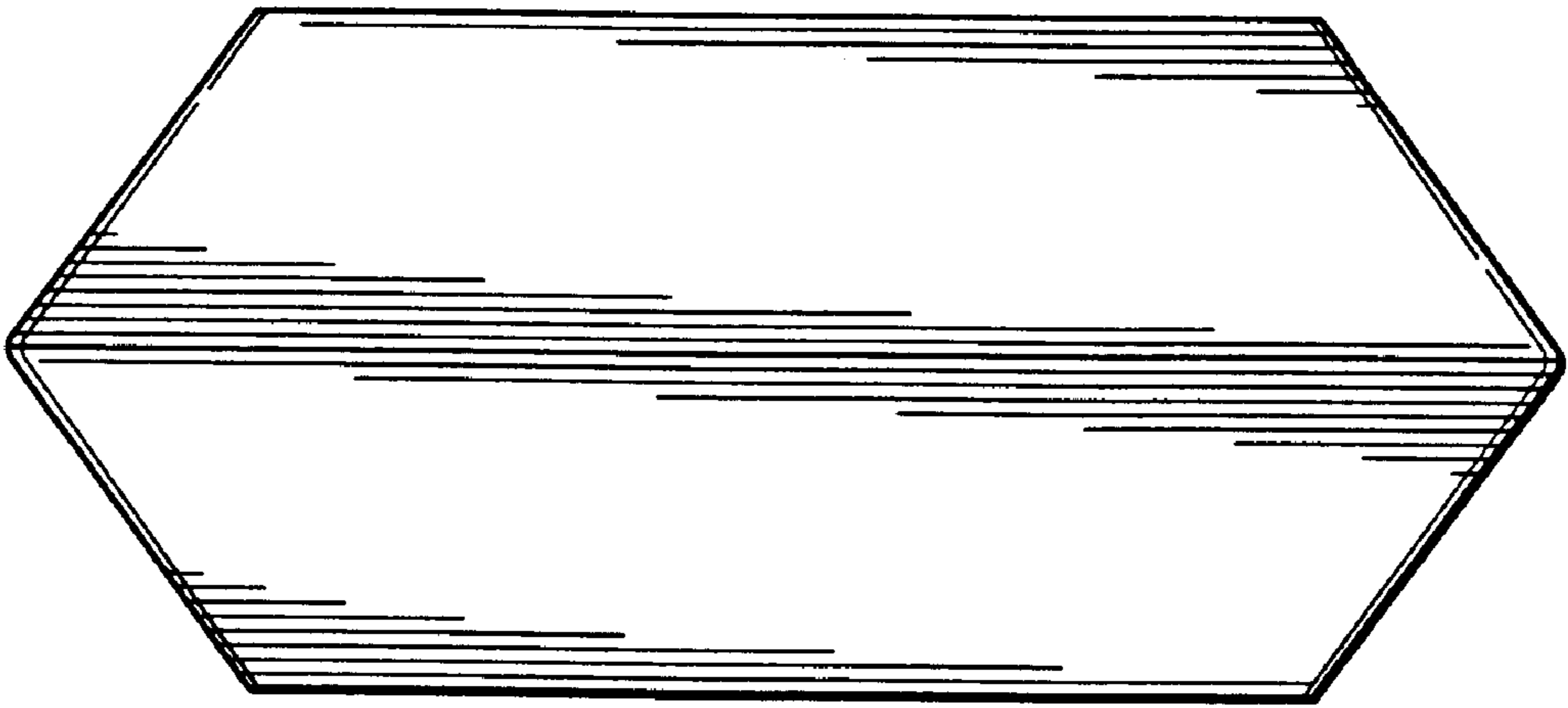


FIG. 2

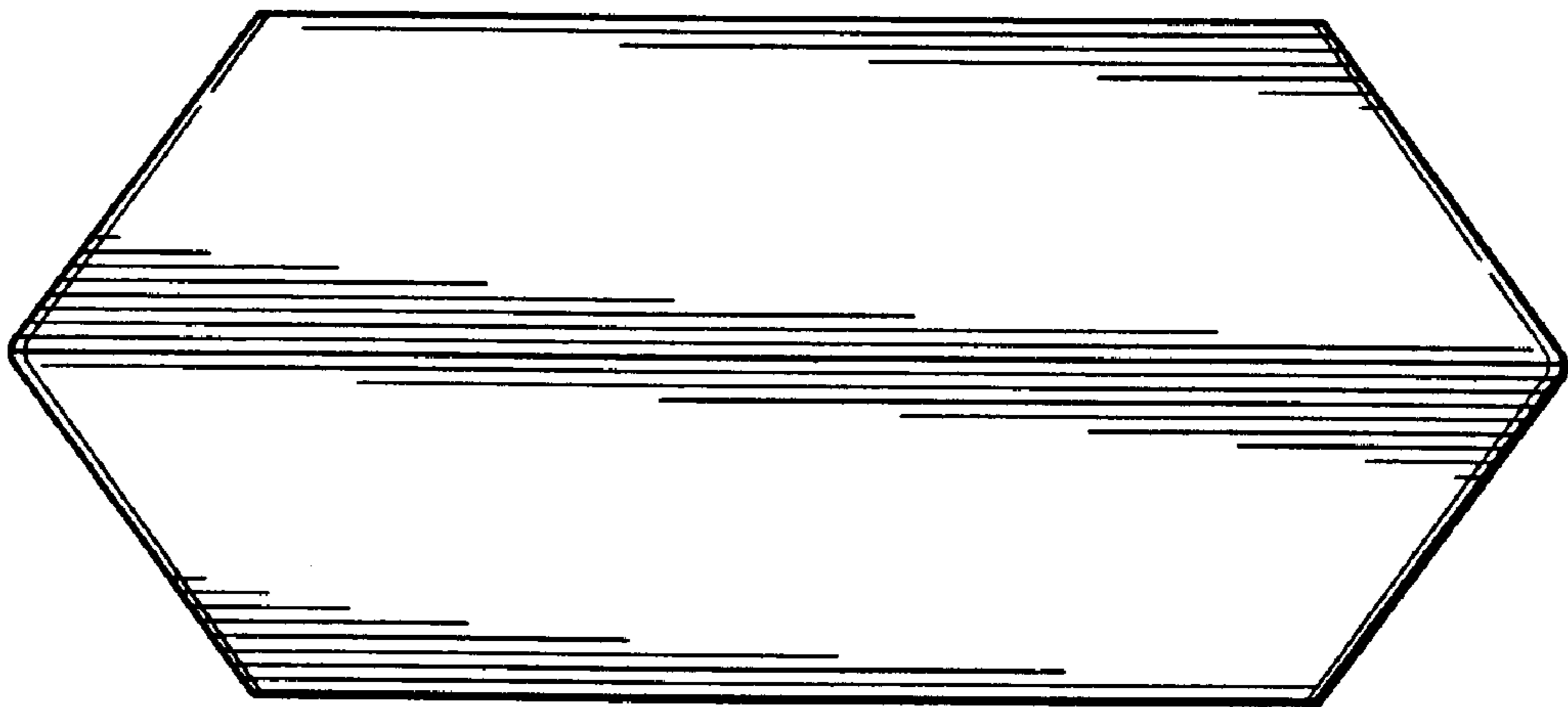


FIG. 3

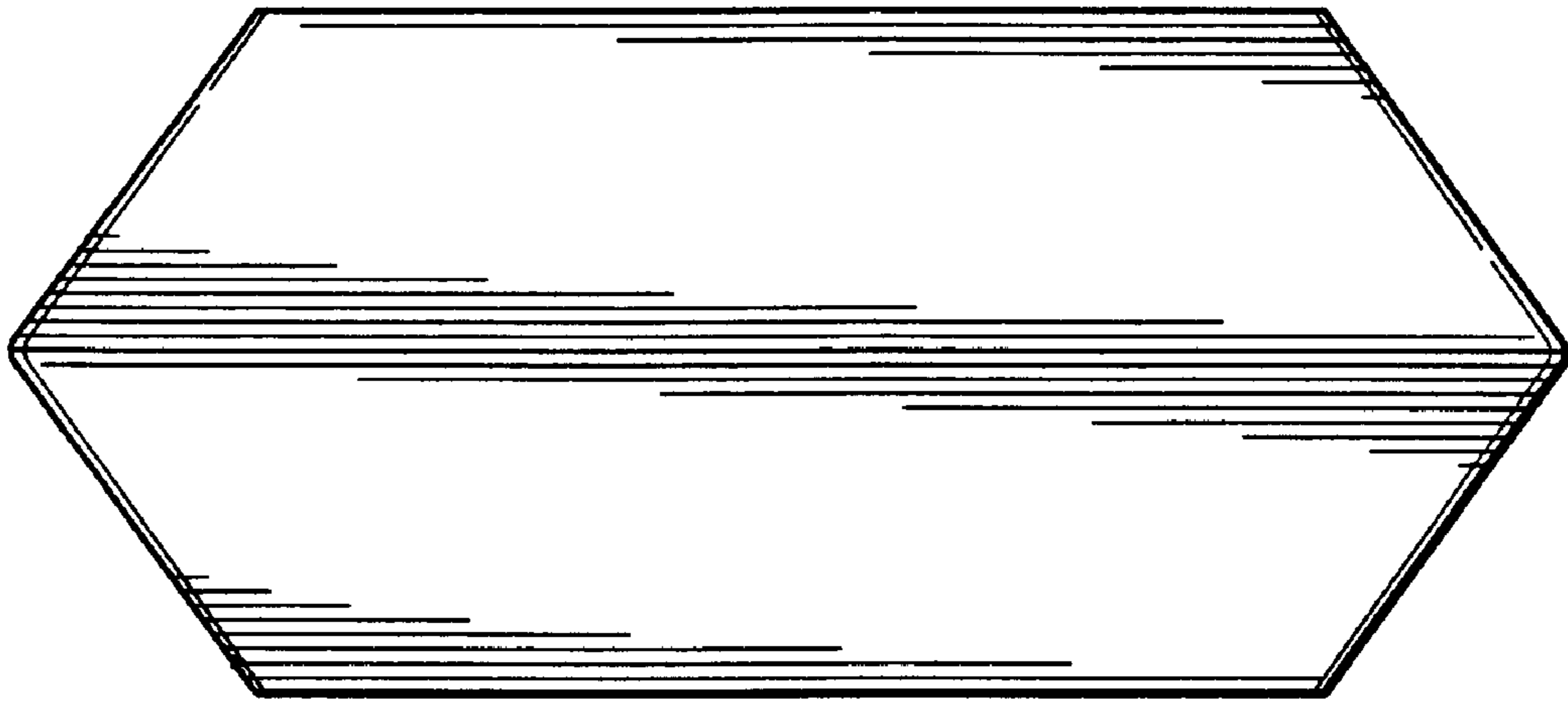


FIG. 4

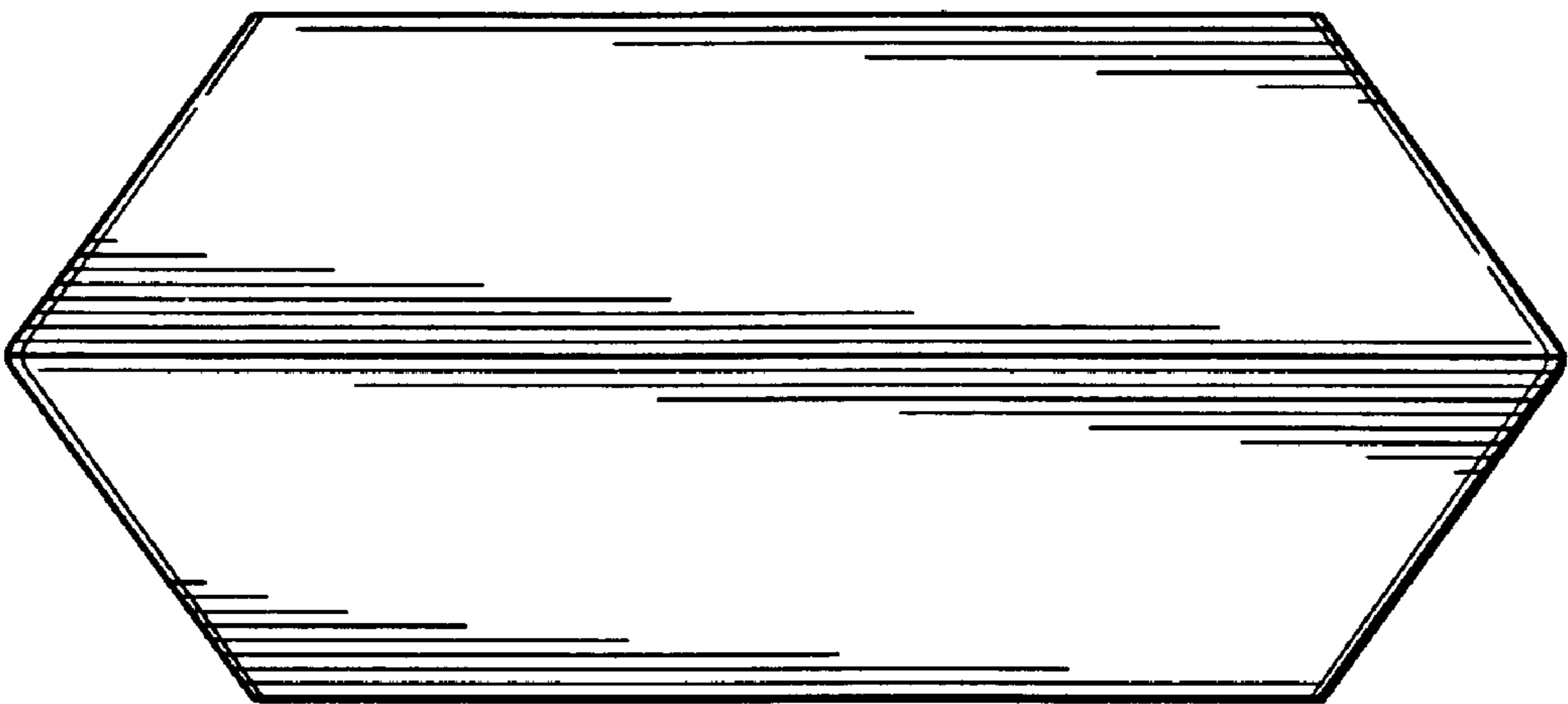


FIG. 5

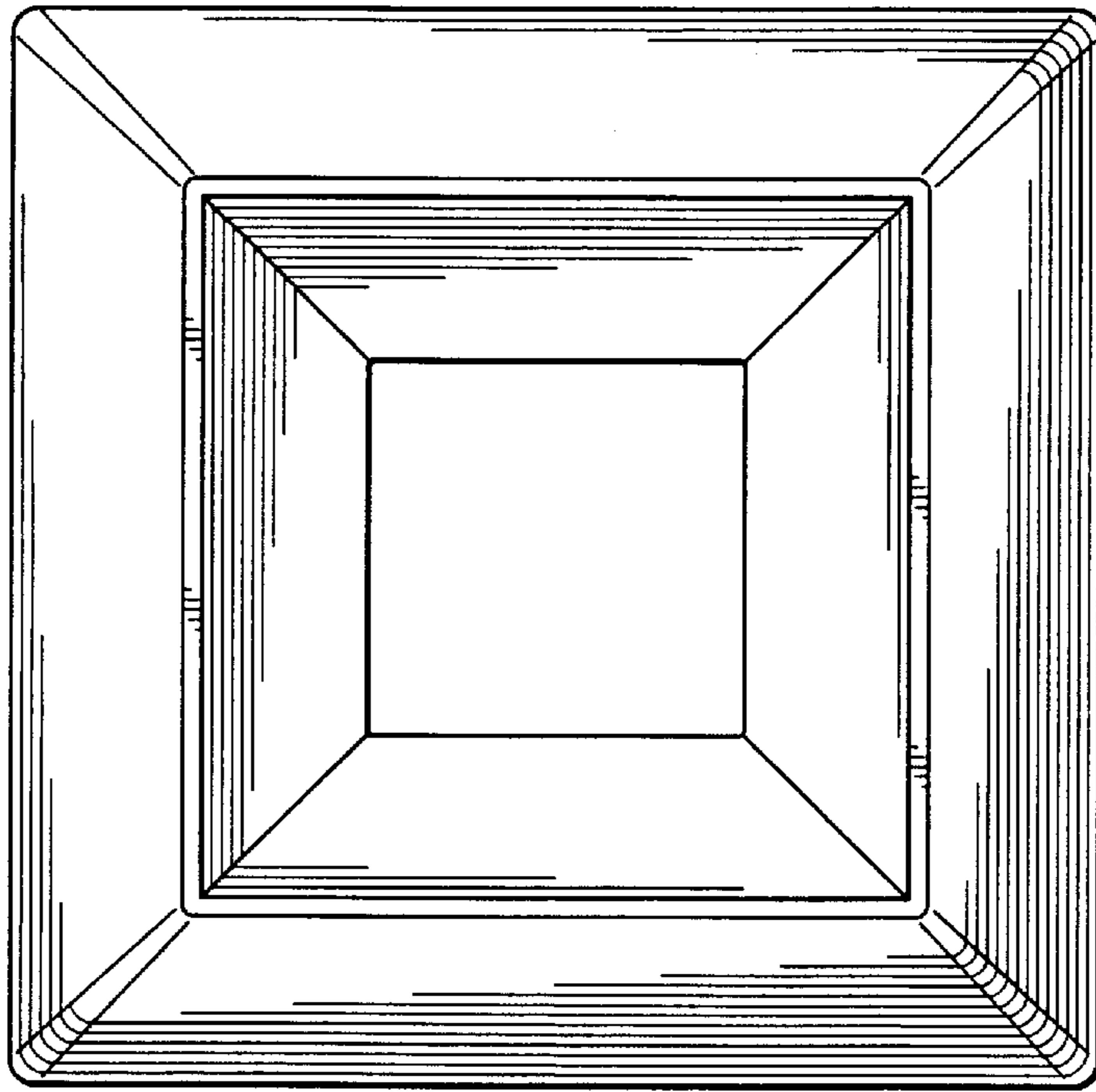


FIG. 6

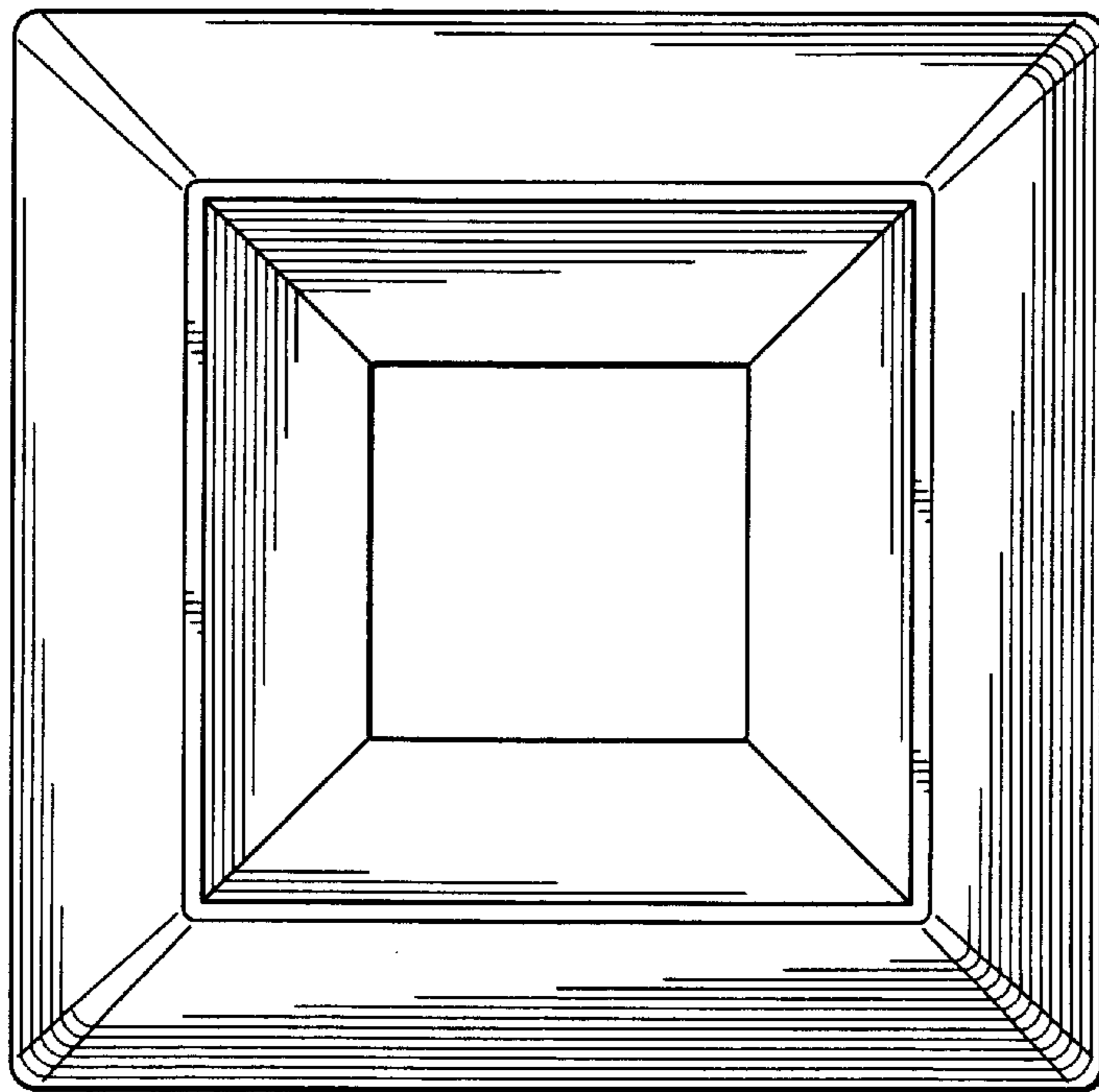


FIG. 7