



US00D411863S

United States Patent [19] Chan

[11] **Patent Number: Des. 411,863**
[45] **Date of Patent: ** Jul. 6, 1999**

[54] **HAND-HELD ELECTRONIC GAME**

[75] Inventor: **Shiu Chung Chan**, Tsuen Wan, The Hong Kong Special Administrative Region of the People's Republic of China

[73] Assignee: **Welback Enterprises Limited**, The Hong Kong Special Administrative Region of the People's Republic of China

[**] Term: **14 Years**

[21] Appl. No.: **29/088,287**

[22] Filed: **May 20, 1998**

[51] **LOC (6) Cl.** **21-01**

[52] **U.S. Cl.** **D21/329**

[58] **Field of Search** D21/329-331,
D21/324, 333; 463/1, 29-35, 46, 47, 48;
273/148 B

[56] **References Cited**

U.S. PATENT DOCUMENTS

- D. 362,692 9/1995 Rissman et al. D21/329
- D. 363,511 10/1995 Hui D21/329
- D. 369,190 4/1996 Feiz D21/329

- D. 380,501 7/1997 Osterhout et al. D21/331
- D. 401,297 11/1998 Fai D21/329
- 5,184,830 2/1993 Okada et al. 463/29
- 5,217,295 6/1993 Tortola et al. 362/109

OTHER PUBLICATIONS

Hong Kong Enterprise, p. 1974, Oct. 1992.
Playthings, p. 52, Apr. 1980.

Primary Examiner—Prabhakar Deshmukh
Attorney, Agent, or Firm—Burns, Doane, Swecker & Mathis, L.L.P.

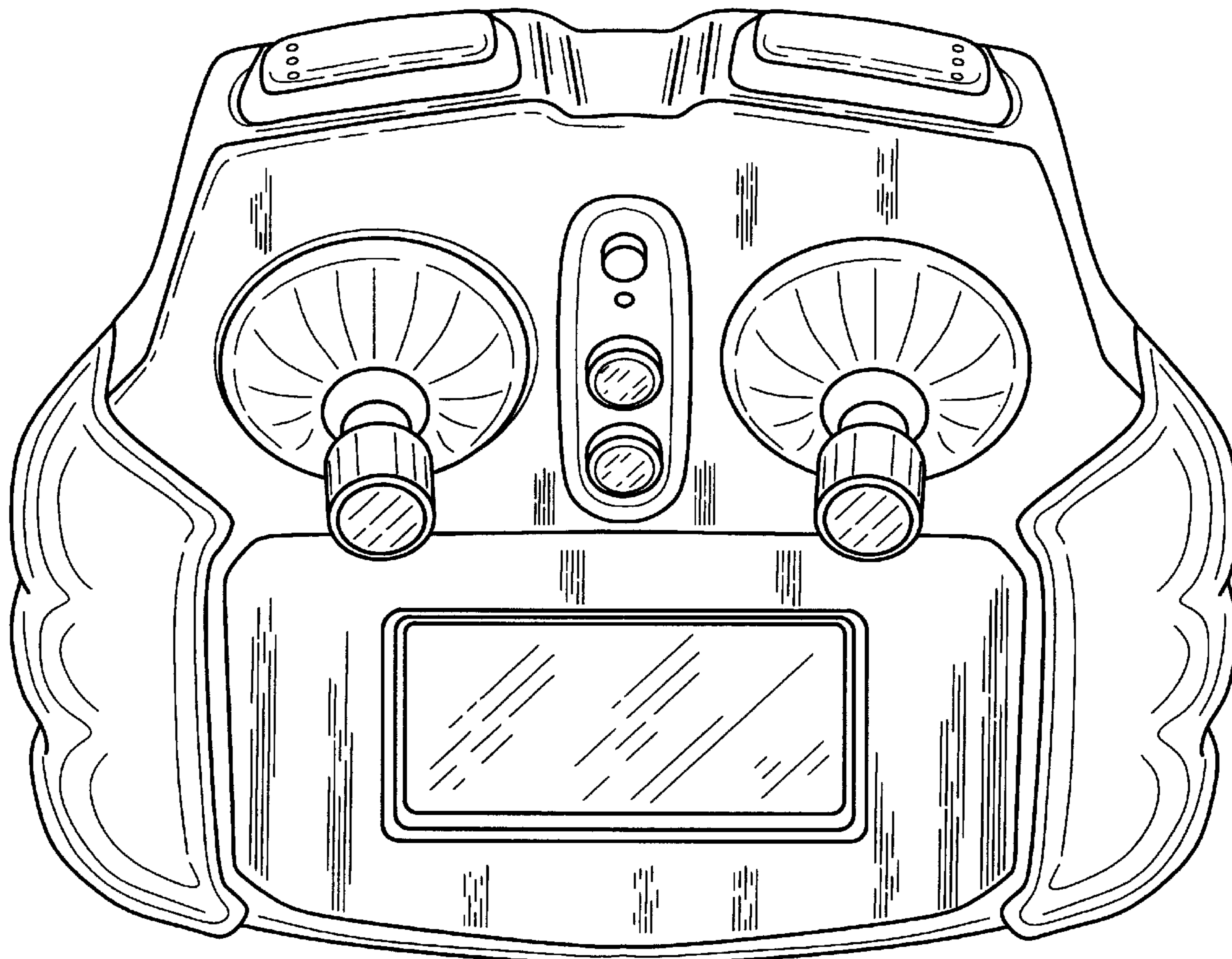
[57] **CLAIM**

The ornamental design for a “hand-held electronic game”, as shown and described.

DESCRIPTION

FIG. 1 is a front view of a “hand-held electronic game” showing my design;
FIG. 2 is a rear view thereof;
FIG. 3 is a side view thereof; the opposite side is being a mirror image thereof;
FIG. 4 is a top view thereof;
FIG. 5 is a bottom view thereof; and,
FIG. 6 is a perspective view from front and above thereof.

1 Claim, 6 Drawing Sheets



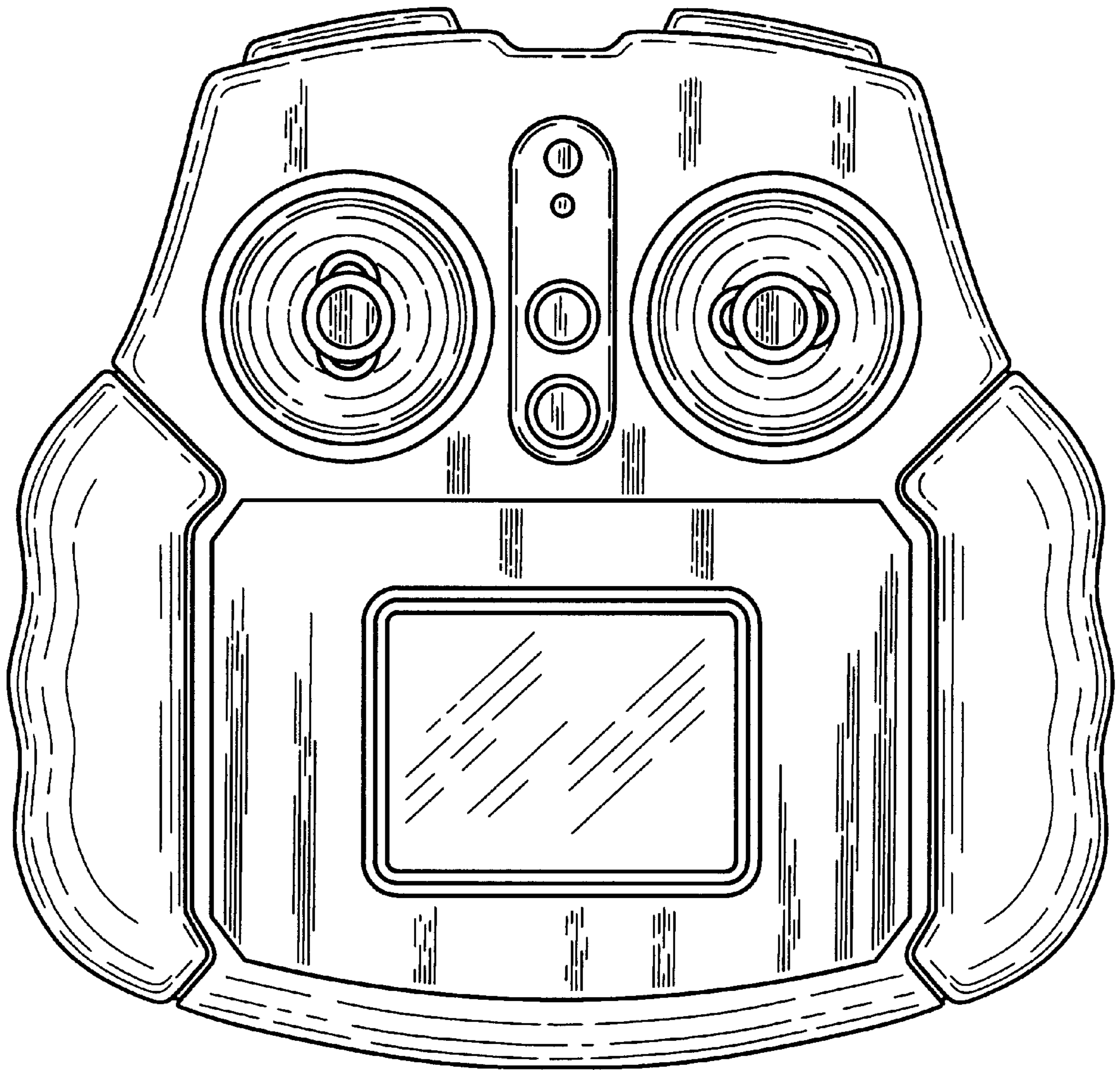


FIG. 1

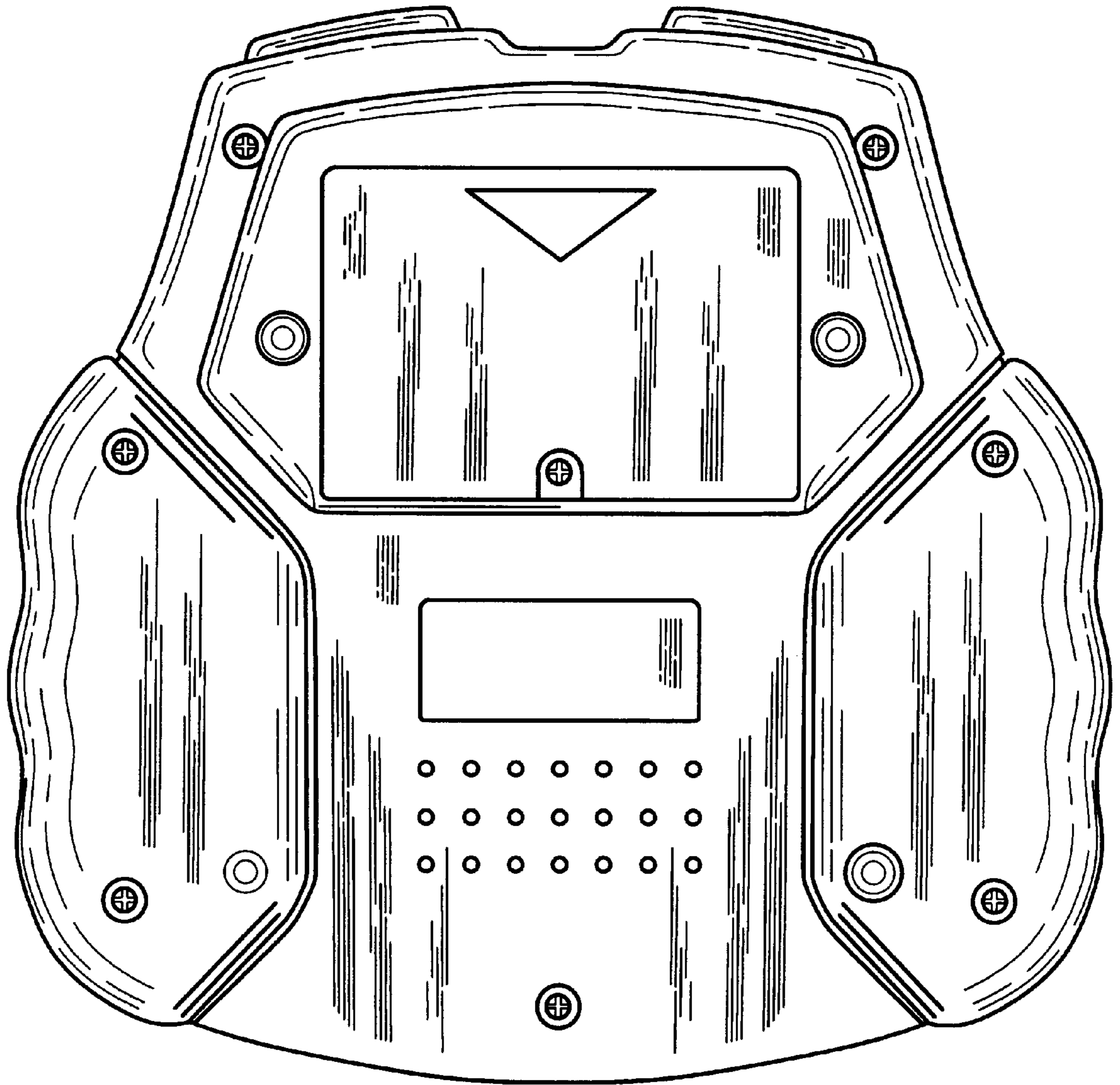


FIG. 2

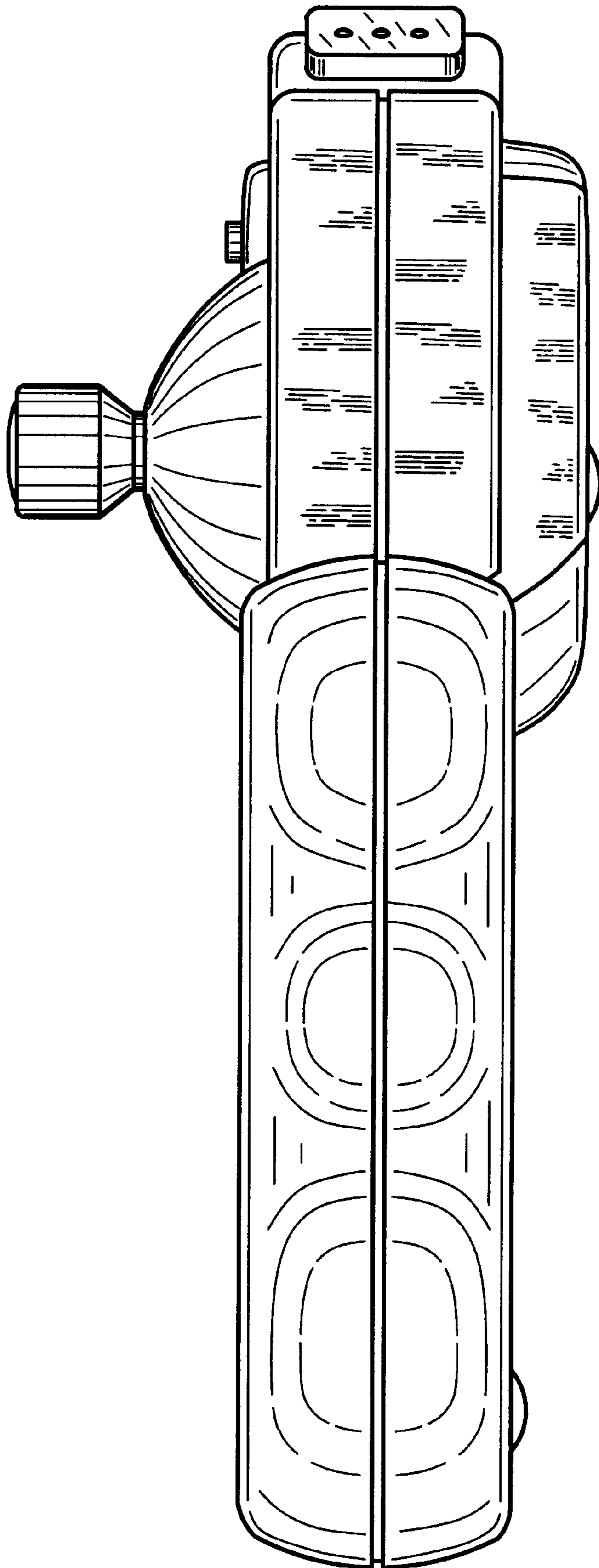


FIG. 3

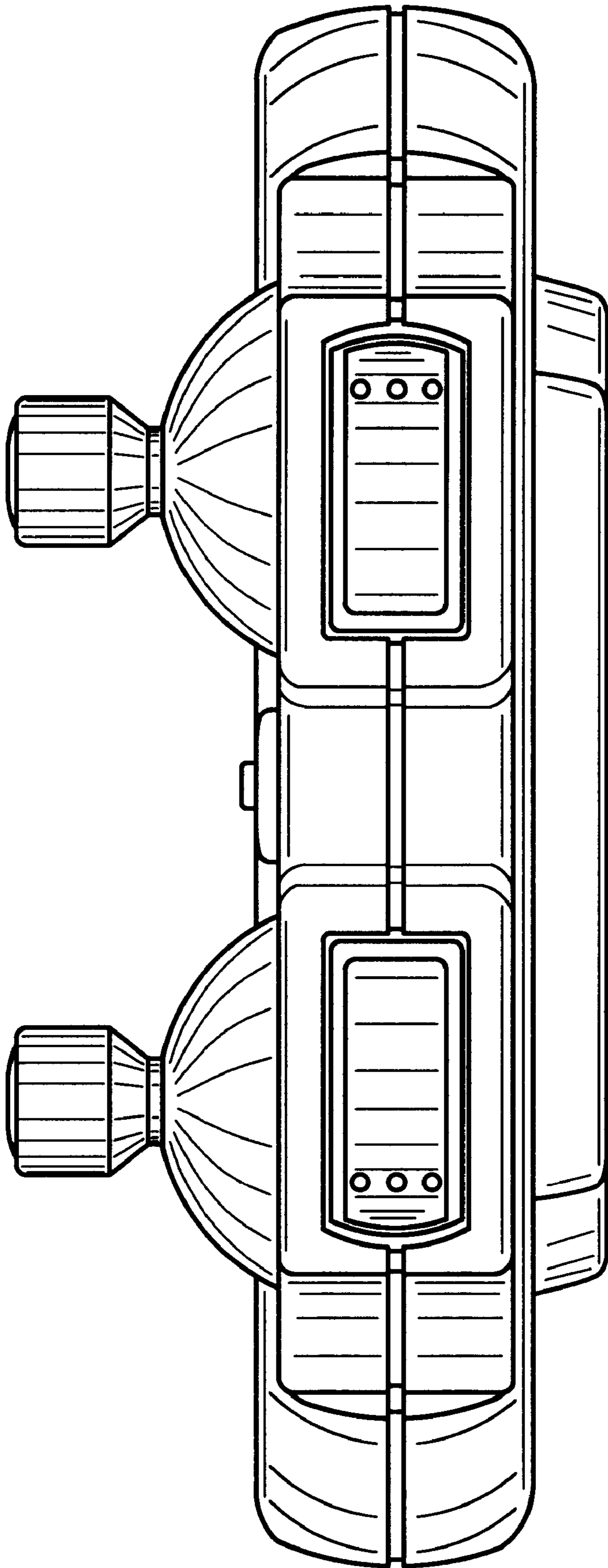


FIG. 4

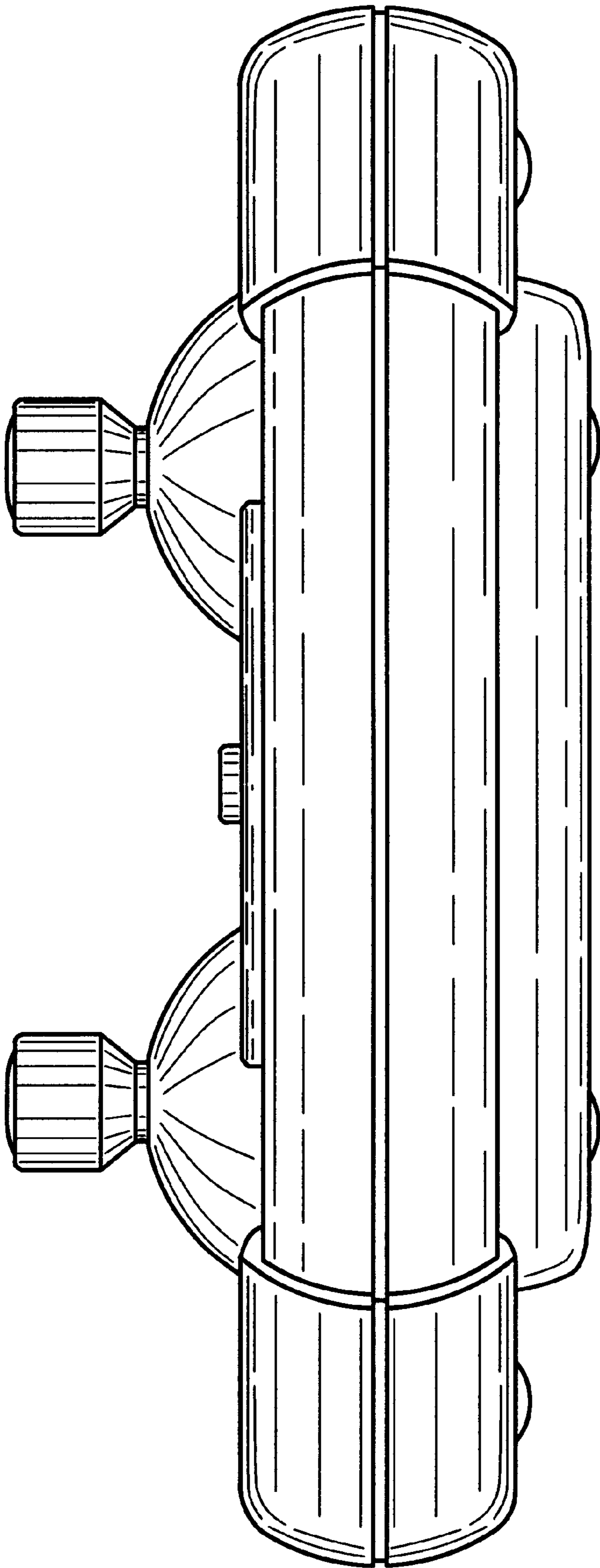


FIG. 5

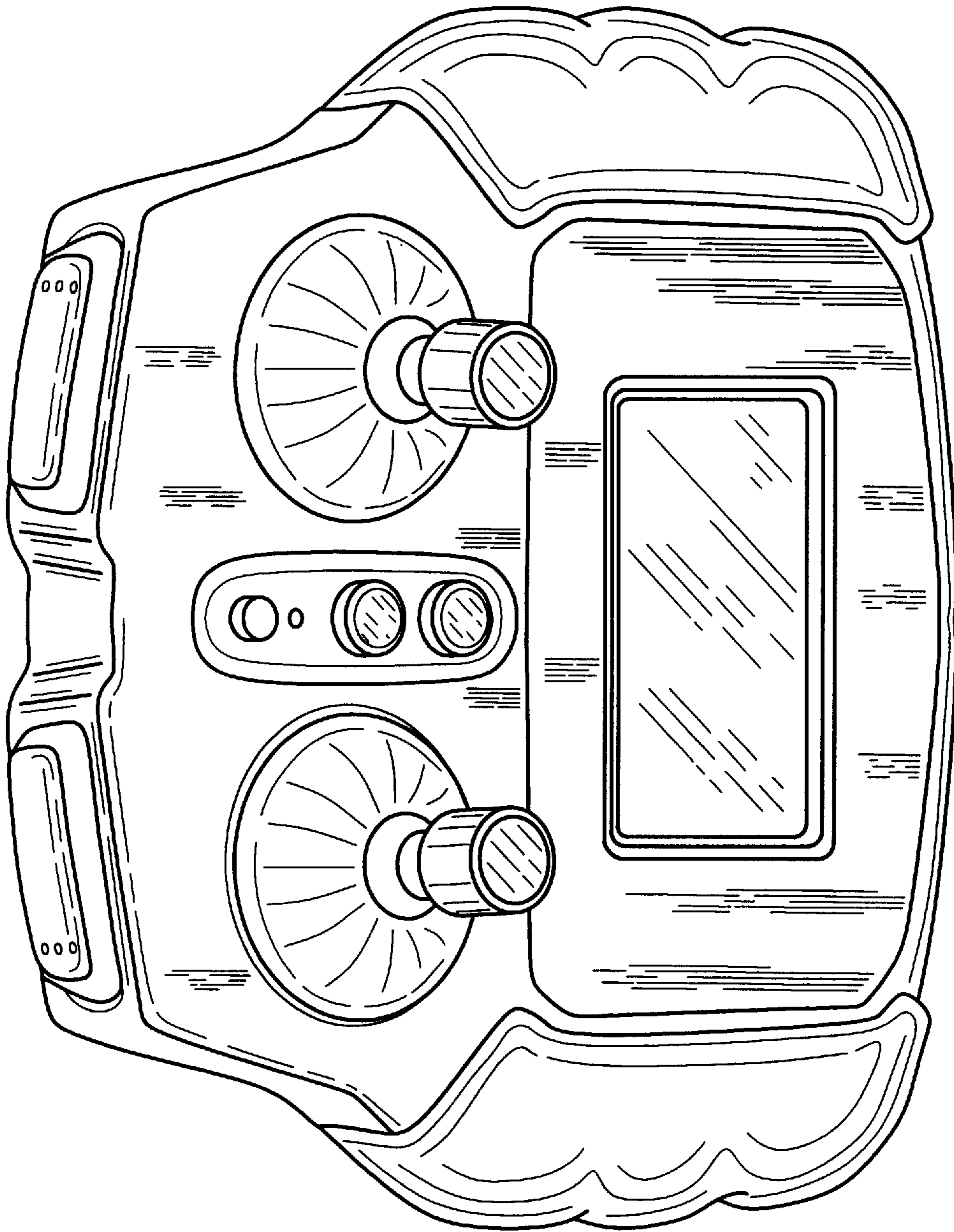


FIG. 6