



US00D411861S

United States Patent [19] Bernstein

[11] **Patent Number: Des. 411,861**
[45] **Date of Patent: ** Jul. 6, 1999**

[54] **CLIPBOARD**

[76] Inventor: **Jerome G. Bernstein**, 14428 N. 51st
La., Glendale, Ariz. 85306

[**] Term: **14 Years**

[21] Appl. No.: **29/079,918**

[22] Filed: **Aug. 15, 1997**

[51] **LOC (6) Cl. 19-02**

[52] **U.S. Cl. D19/88; D19/78; D19/90**

[58] **Field of Search D19/35, 36, 52,
D19/65, 75, 78, 86, 88, 90, 91, 99, 100;
248/441.1, 442.2, 450, 451, 452; 281/19.1,
45; 24/67.7; 40/349, 341; 211/89.01**

[56] **References Cited**

U.S. PATENT DOCUMENTS

- D. 218,720 9/1970 Shahan D19/88 X
- D. 286,894 11/1986 Haas et al. D19/88
- D. 303,401 9/1989 Cross et al. D19/88
- D. 312,663 12/1990 Bordwell D19/86 X

- 390,133 9/1888 Meyer 211/89.01 X
- 757,937 4/1904 Lukes 24/67.7
- 2,528,695 11/1950 King 281/45
- 3,048,424 8/1962 Mitchell, Jr. 281/19.1 X

Primary Examiner—Martie K. Holtje
Attorney, Agent, or Firm—Jordan M. Meschkow; Lowell W. Gresham; Meschkow & Gresham, P.L.C.

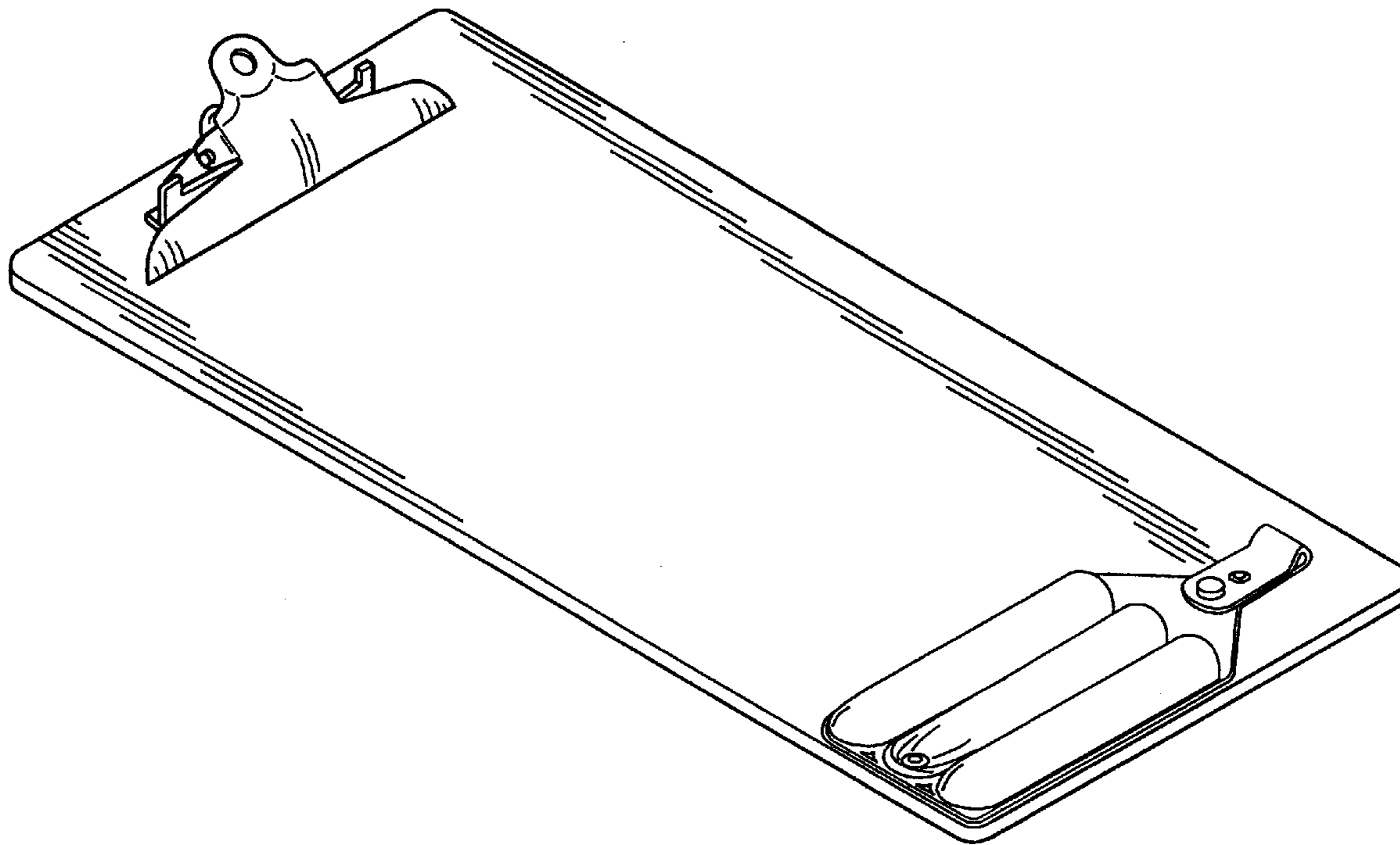
[57] **CLAIM**

The ornamental design for a clipboard, as shown and described.

DESCRIPTION

FIG. 1 is a front perspective view of a clipboard, showing my new design therefor;
FIG. 2 is a front view therefor;
FIG. 3 is a rear view therefor;
FIG. 4 is a side view therefor, showing the left side;
FIG. 5 is a side view therefor, showing the right side;
FIG. 6 is a top plan view therefor; and,
FIG. 7 is a bottom plan view therefor.

1 Claim, 2 Drawing Sheets



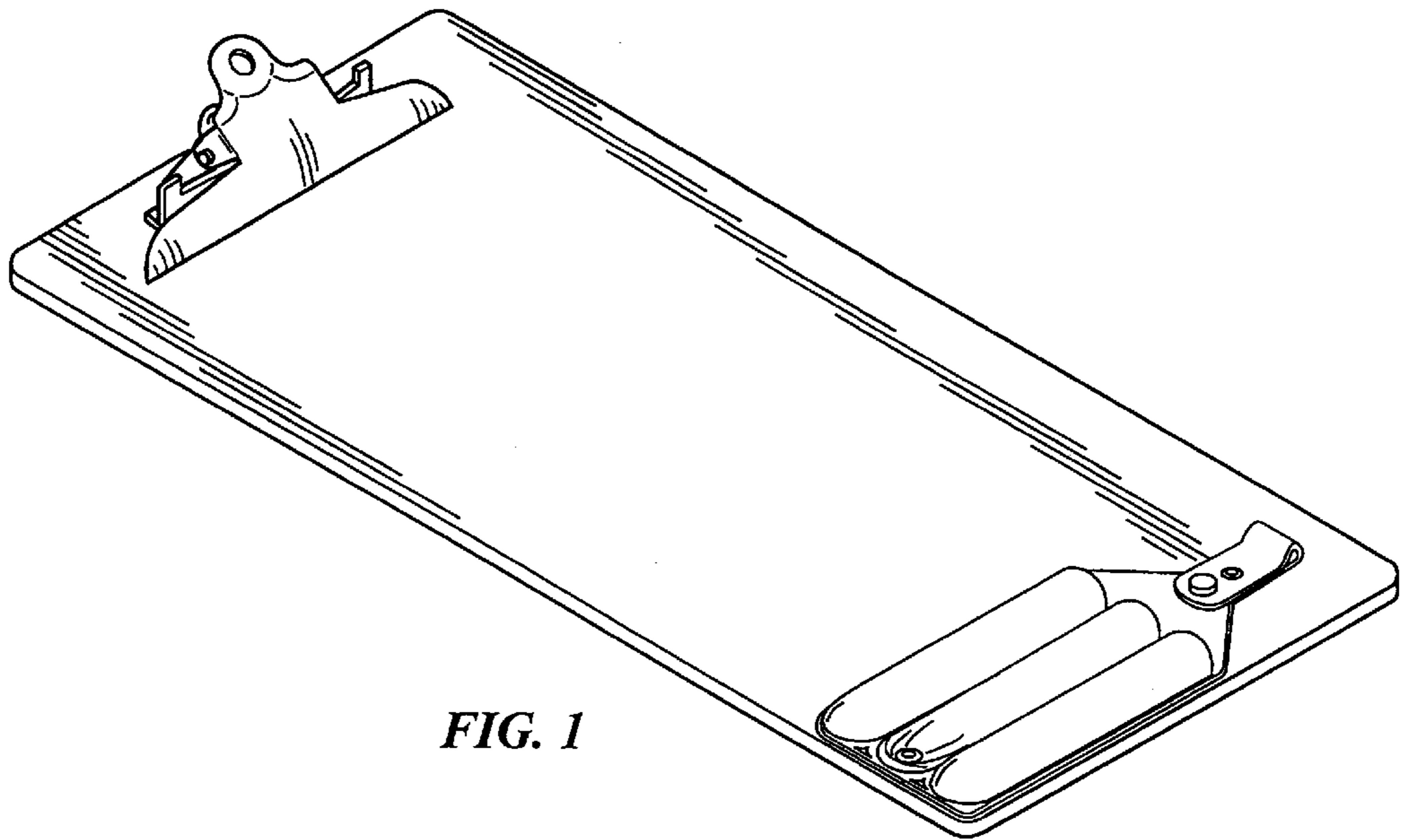


FIG. 1

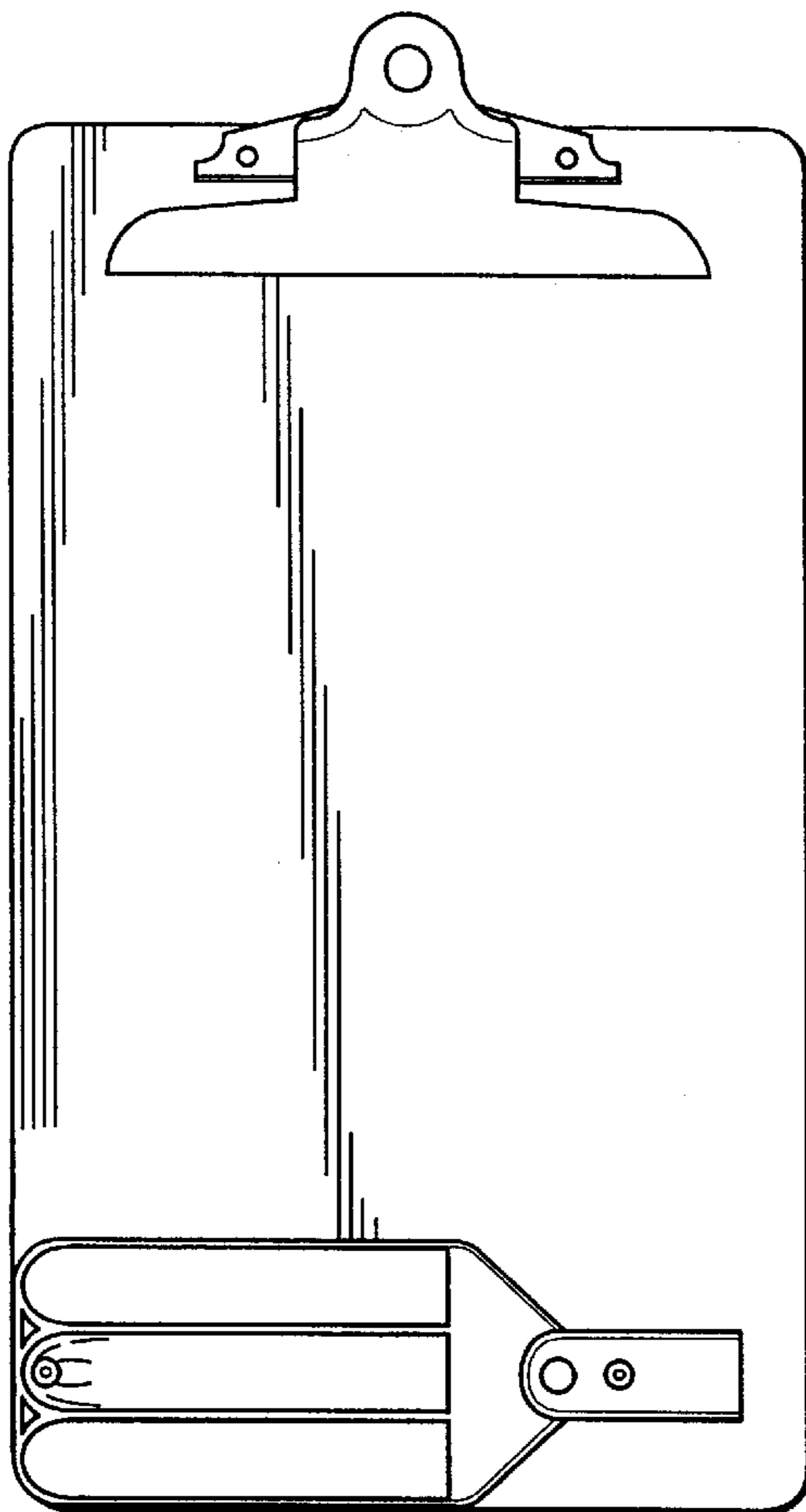


FIG. 2

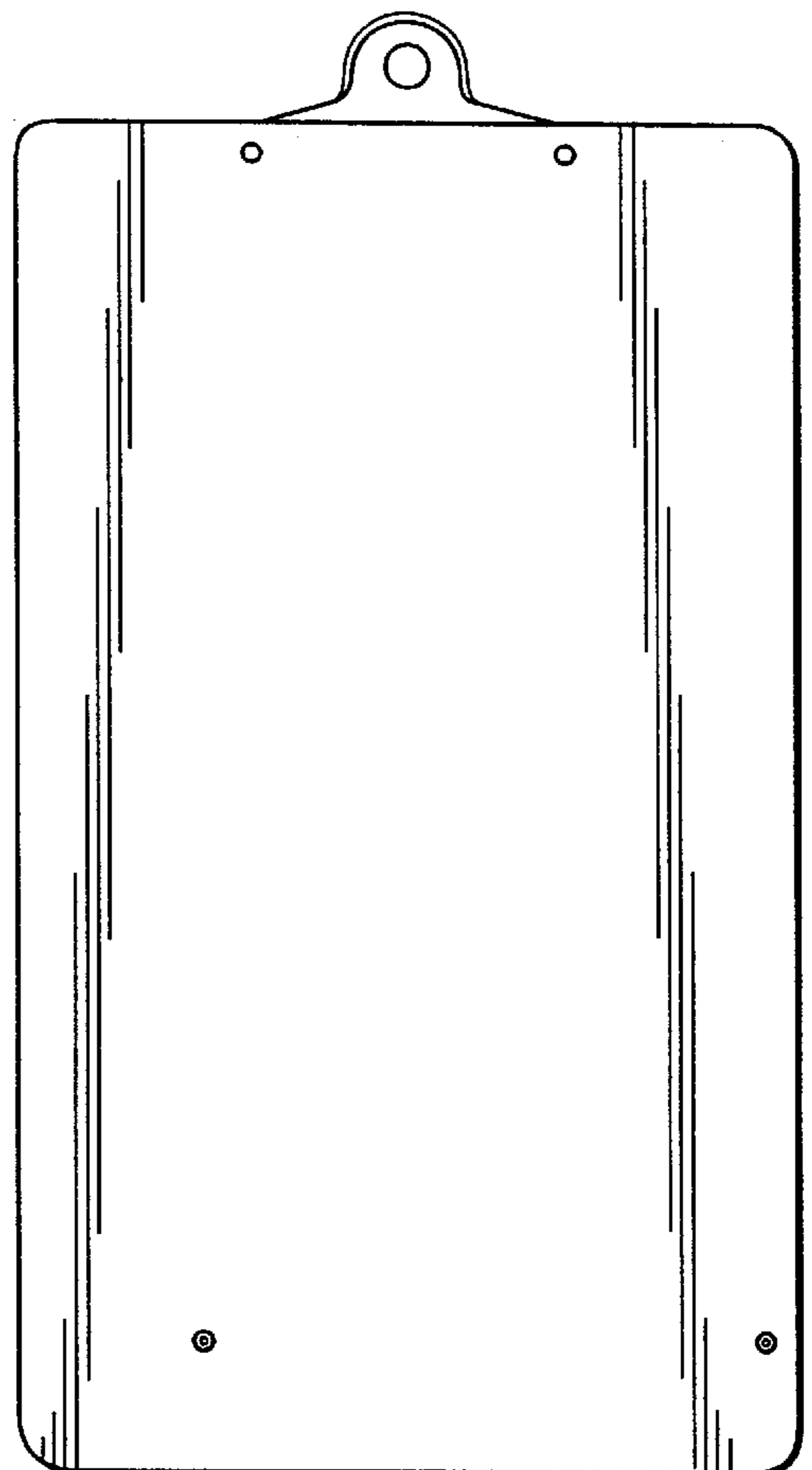


FIG. 3

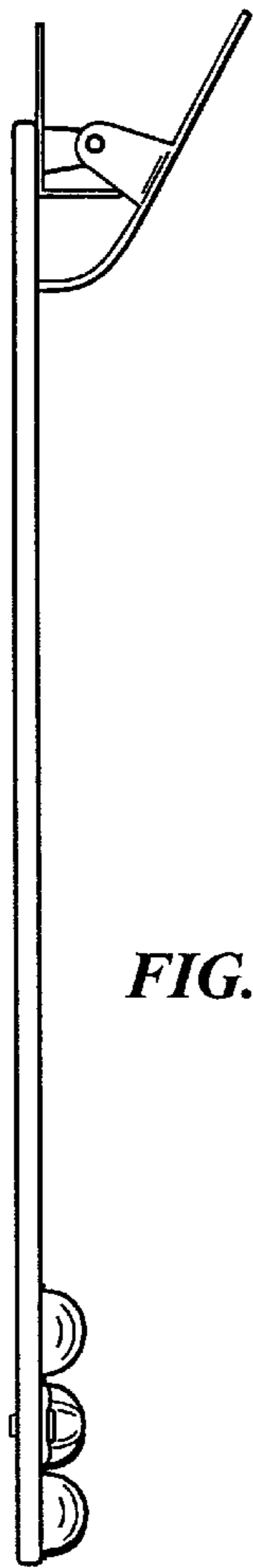


FIG. 4

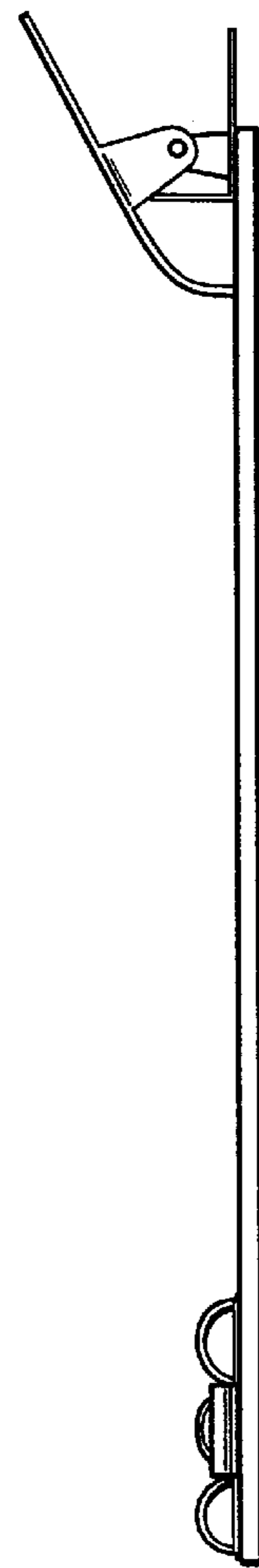


FIG. 5

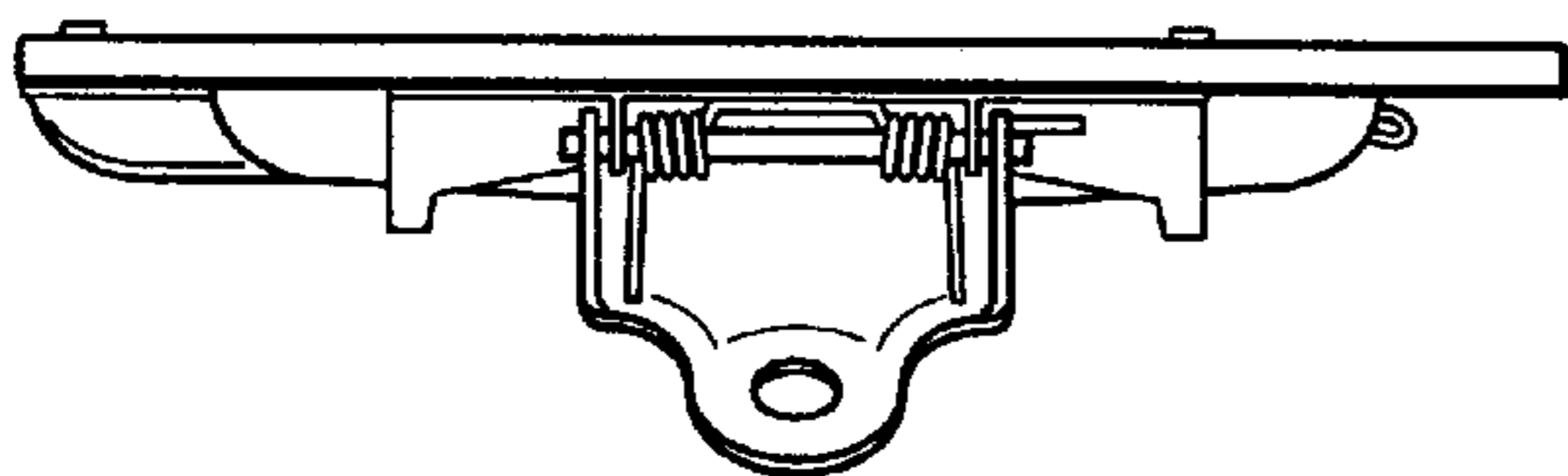


FIG. 6

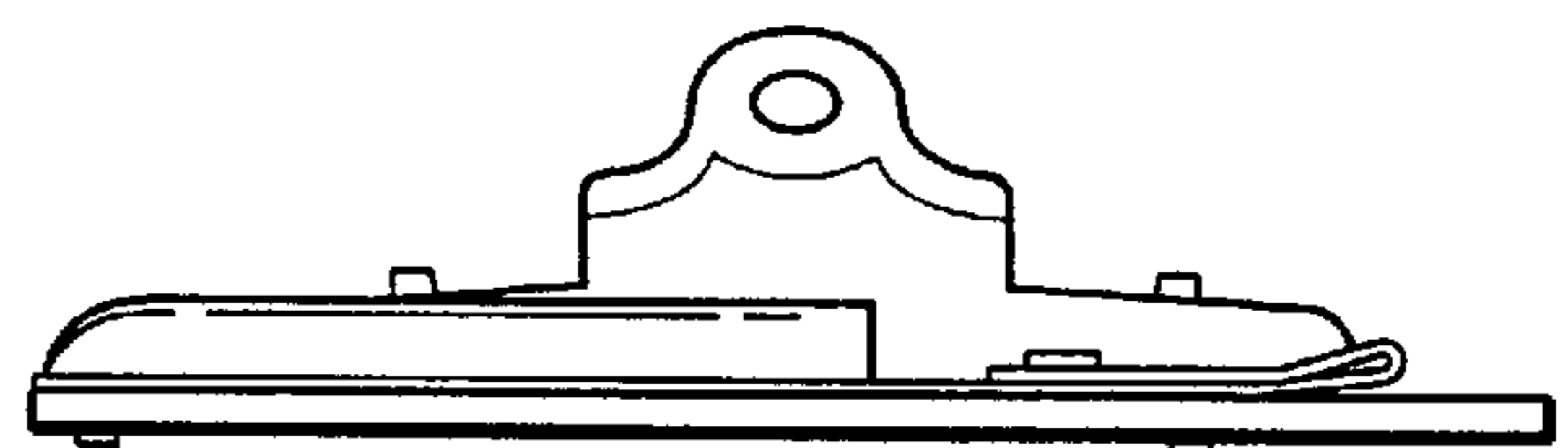


FIG. 7