



US00D411860S

United States Patent [19] Stravitz

[11] **Patent Number: Des. 411,860**
[45] **Date of Patent: ** Jul. 6, 1999**

[54] ORGANIZER RACK WITH VERTICAL STORAGE SECTIONS

[76] Inventor: **David M. Stravitz**, 16 Park Ave.—Suite 14A, New York, N.Y. 10016

[**] Term: **14 Years**

[21] Appl. No.: **29/095,735**

[22] Filed: **Oct. 29, 1998**

[51] **LOC (6) Cl.** **19-02**

[52] **U.S. Cl.** **D19/75; D19/86; D19/90; D19/92; D19/78**

[58] **Field of Search** **D19/36, 65, 75, D19/77, 78, 81-85, 86, 90, 91, 92, 95, 99, 100; 206/214, 224, 371; 211/10, 11, 13.1, 45, 50, 55, 69.1-69.9, 126.1, 126.13**

[56] **References Cited**

U.S. PATENT DOCUMENTS

D. 185,130	5/1959	Camilli	D19/78
D. 231,137	4/1974	Juhlin	D19/90
D. 258,511	3/1981	Ashton	D19/90
D. 268,119	3/1983	Evenson	D19/77
D. 290,141	6/1987	Rabig	D19/90
D. 308,077	5/1990	Gecchelin	D19/75 X
D. 330,047	10/1992	Evenson	D19/78
D. 353,158	12/1994	Evenson	D19/86 X
D. 397,360	8/1998	Cheris et al.	D19/75
2,202,300	5/1940	Posnack	211/50

Primary Examiner—Martie K. Holtje
Attorney, Agent, or Firm—Frishauf, Holtz, Goodman, Langer & Chick

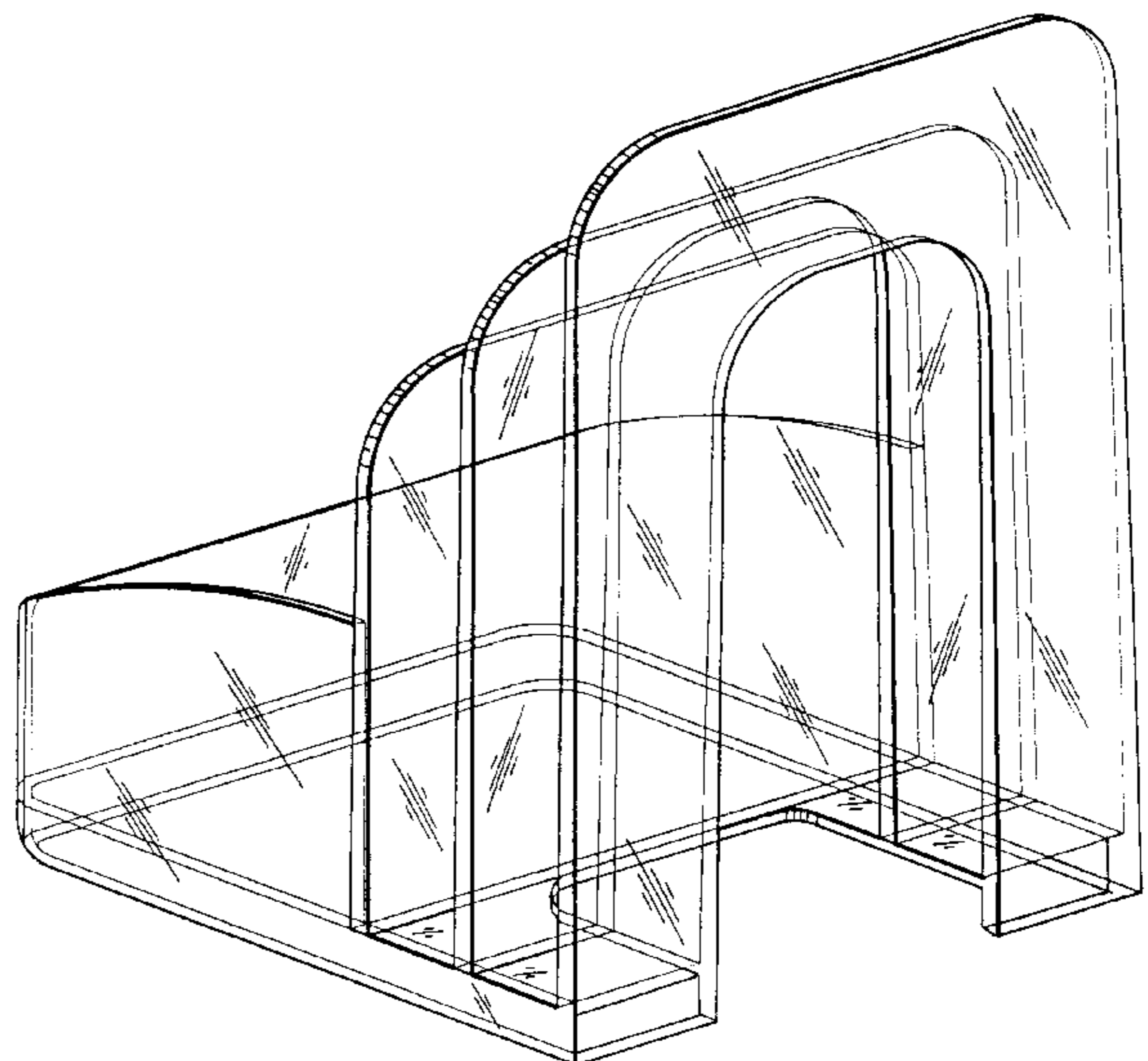
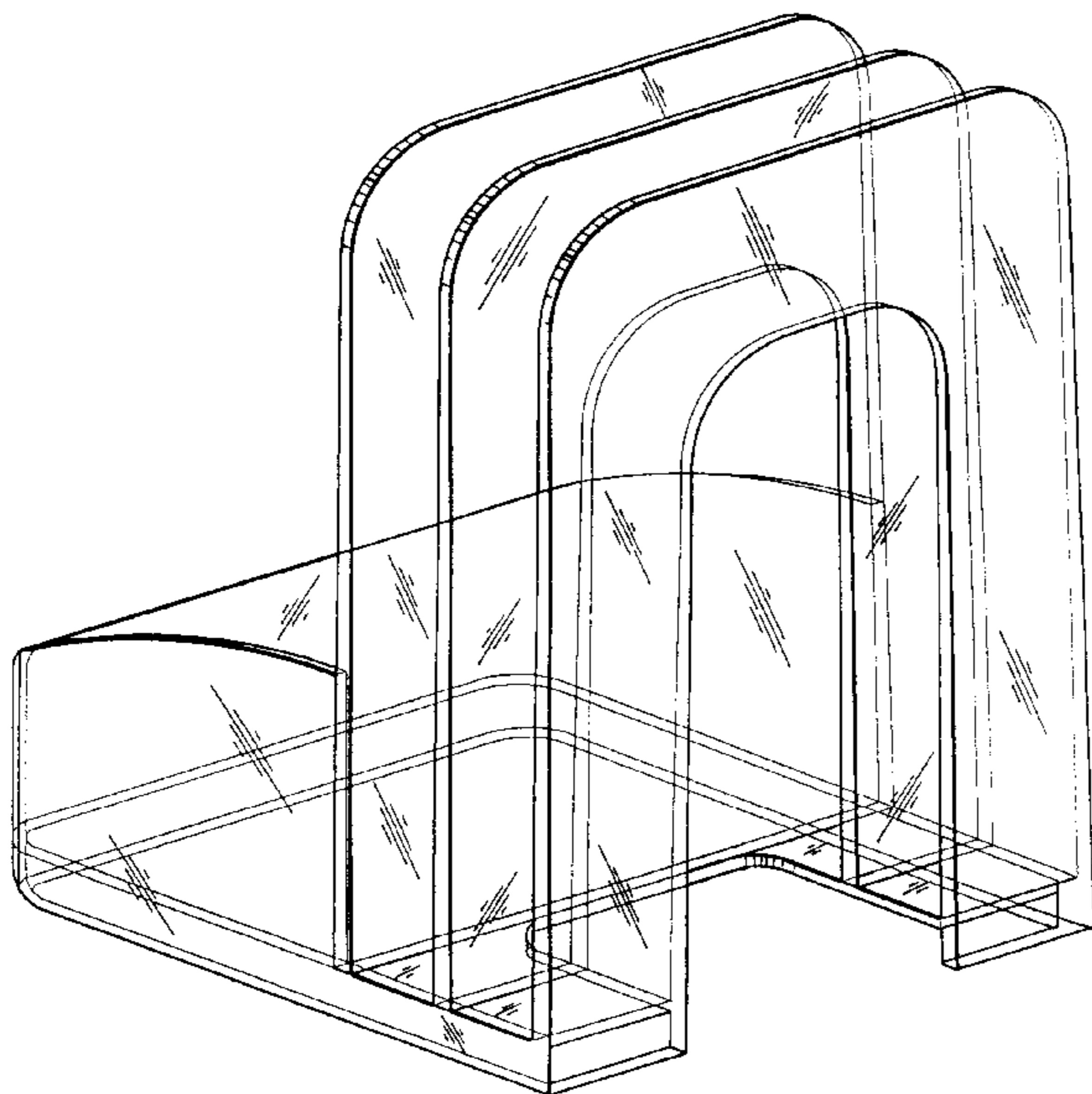
[57] **CLAIM**

The ornamental design for an organizer rack with vertical storage sections, as shown and described.

DESCRIPTION

FIG. 1 is a front, right side and top perspective view of an organizer rack with vertical storage sections, showing my new design;
 FIG. 2 is a top plan view thereof;
 FIG. 3 is a front elevational view thereof, the rear elevational view being a mirror image;
 FIG. 4 is a left side elevational view thereof;
 FIG. 5 is a right side elevational view thereof;
 FIG. 6 is a bottom plan view thereof;
 FIG. 7 is a front, right side and top perspective view of a second embodiment of an organizer rack with vertical storage sections, showing my new design;
 FIG. 8 is a top plan view thereof;
 FIG. 9 is a front elevational view thereof, the rear elevational view being a mirror image;
 FIG. 10 is a left side elevational view thereof;
 FIG. 11 is a right side elevational view thereof;
 FIG. 12 is a bottom plan view thereof;
 FIG. 13 is a front, right side and top perspective view of a third embodiment of an organizer rack with vertical storage sections, showing my new design;
 FIG. 14 is a top plan view thereof;
 FIG. 15 is a front elevational view thereof, the rear elevational view being a mirror image;
 FIG. 16 is a left side elevational view thereof;
 FIG. 17 is a right side elevational view thereof; and,
 FIG. 18 is a bottom plan view thereof.

1 Claim, 11 Drawing Sheets



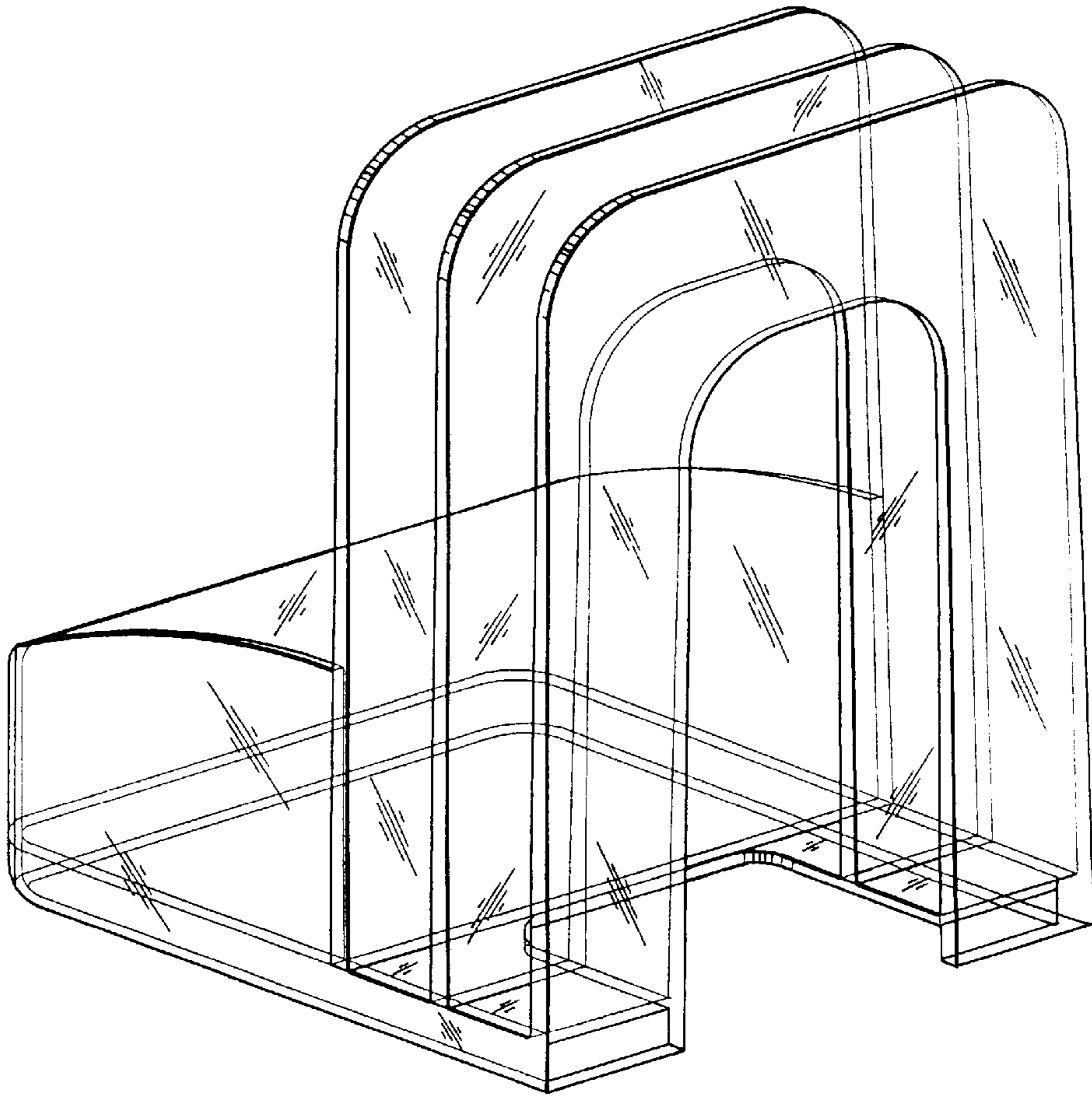


FIG. 1

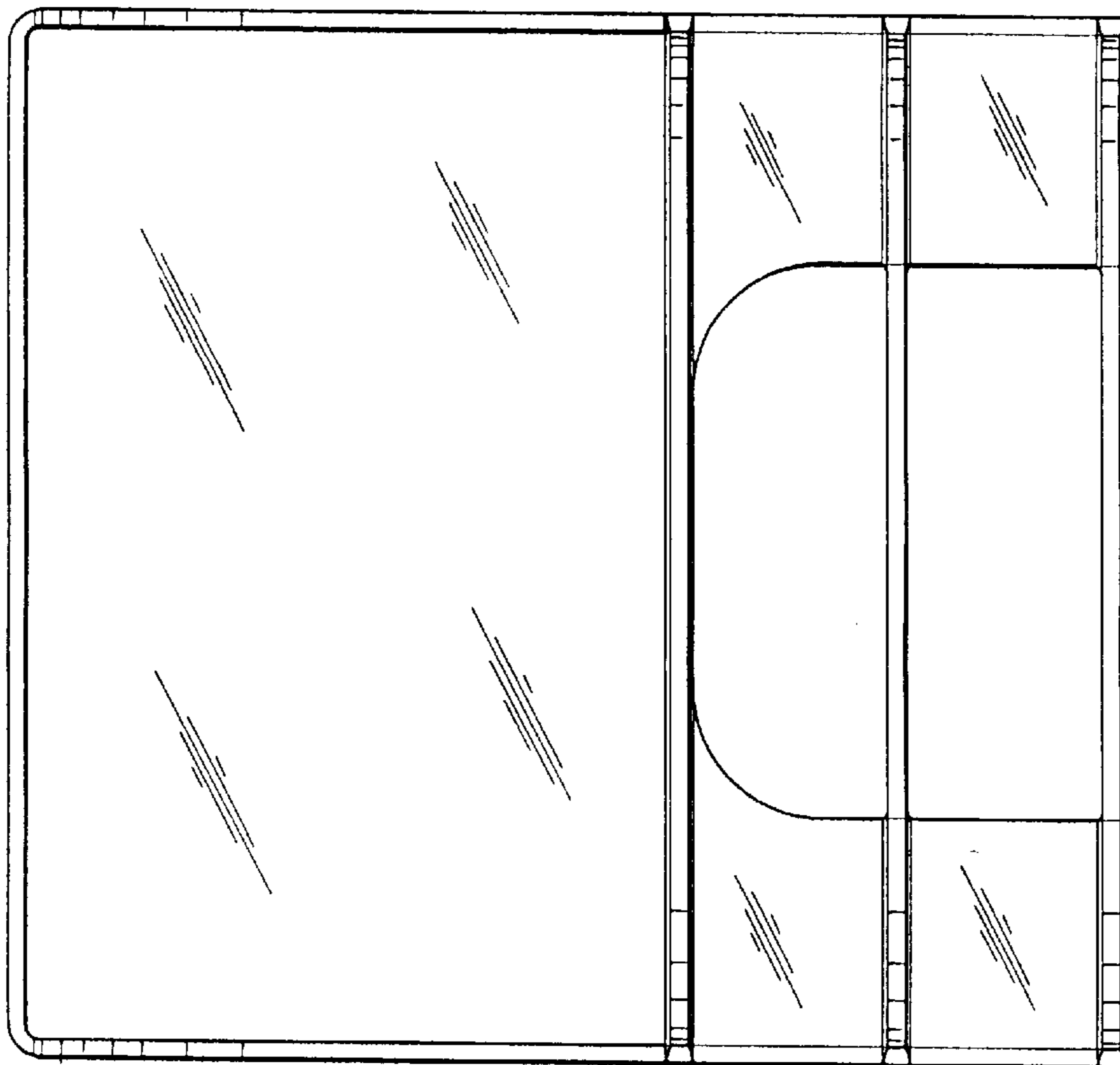


FIG. 2

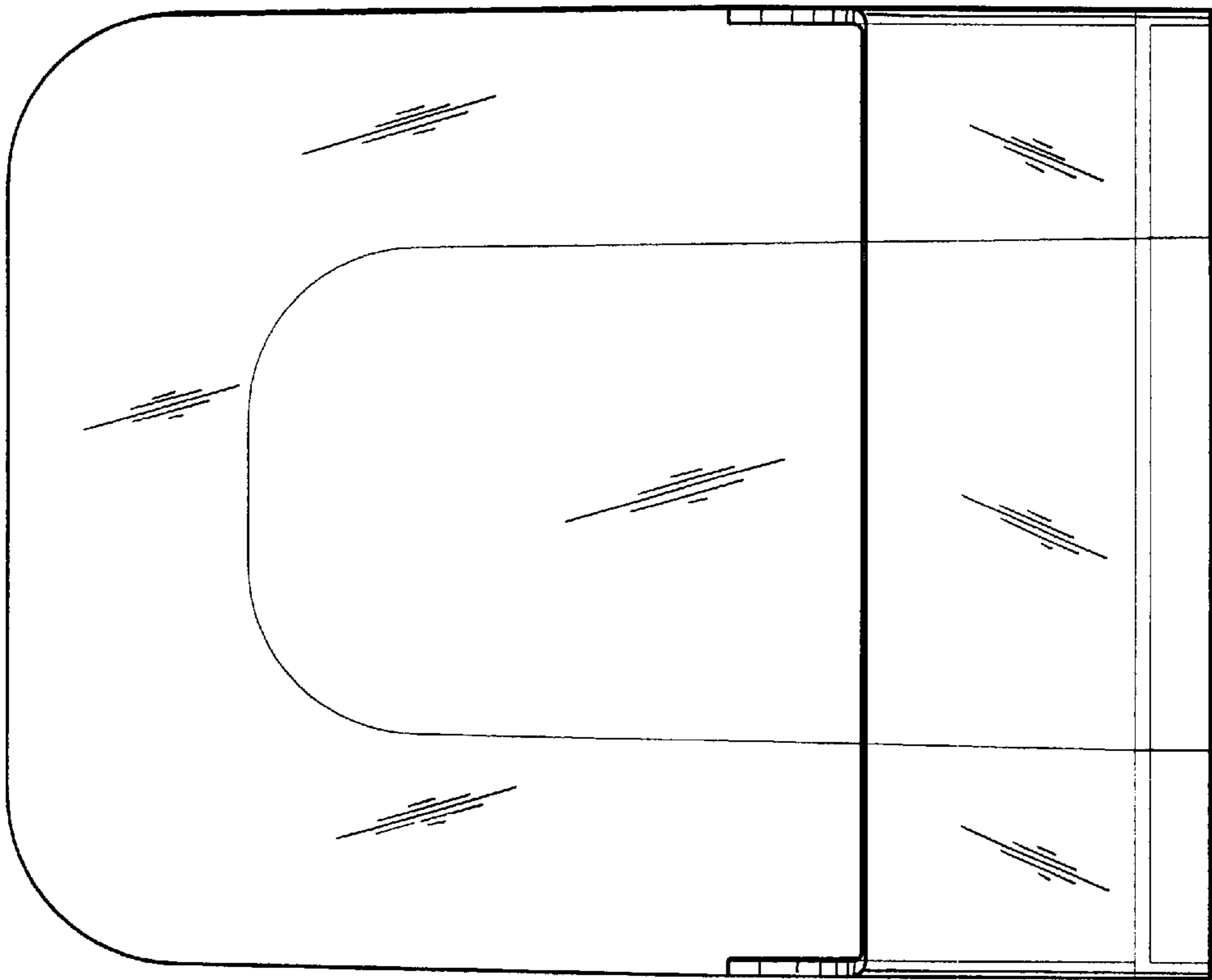


FIG. 4

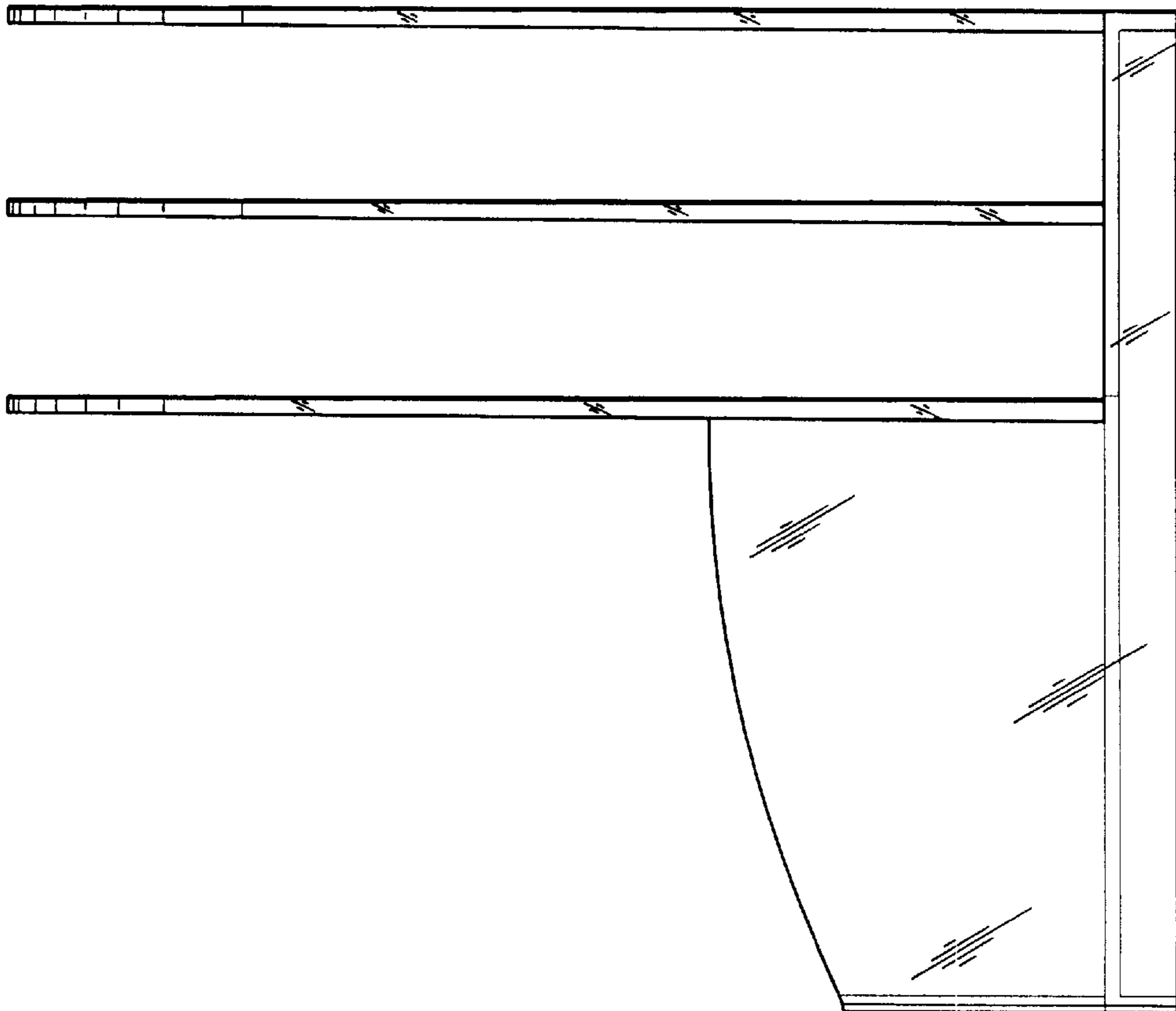


FIG. 3

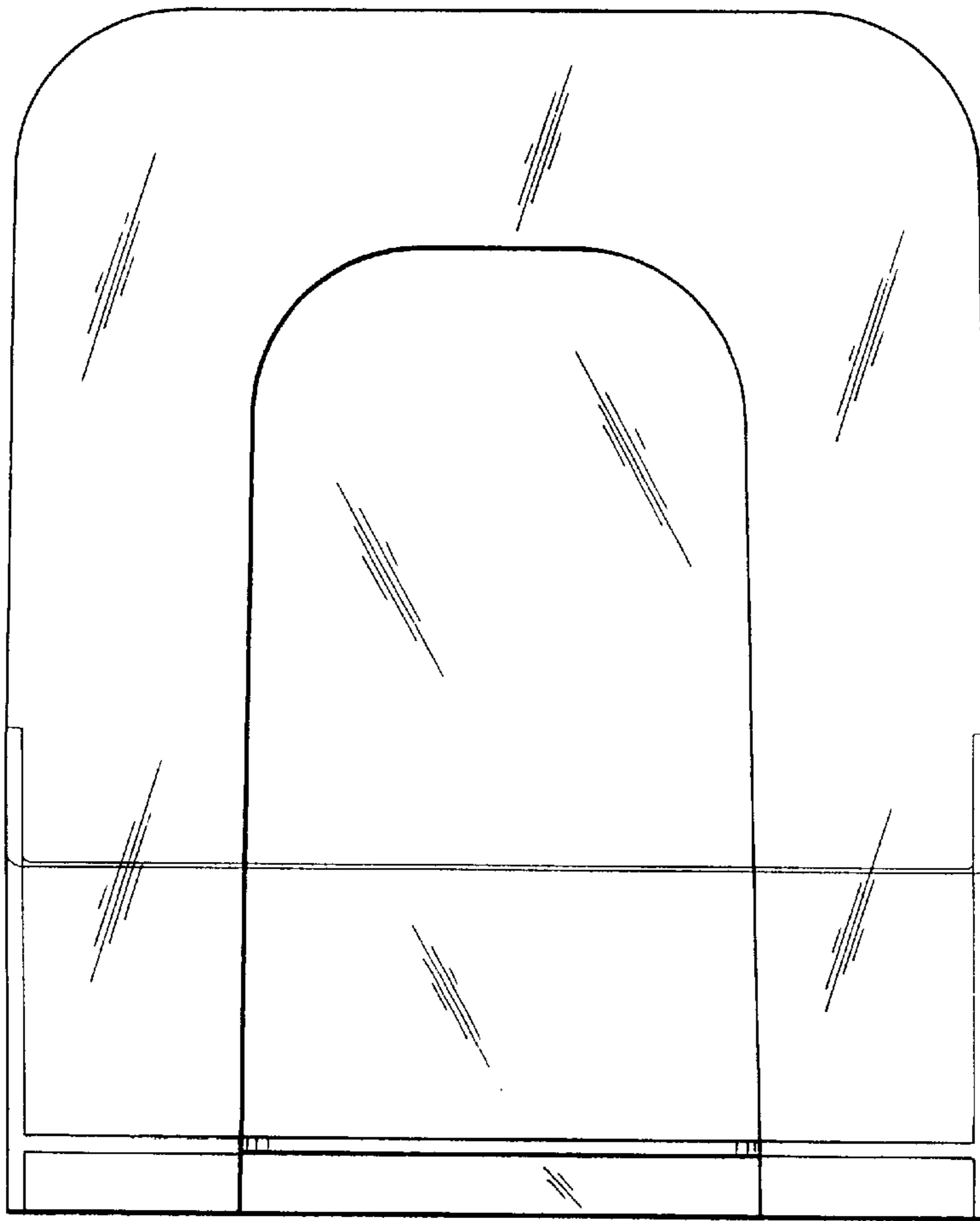


FIG. 5

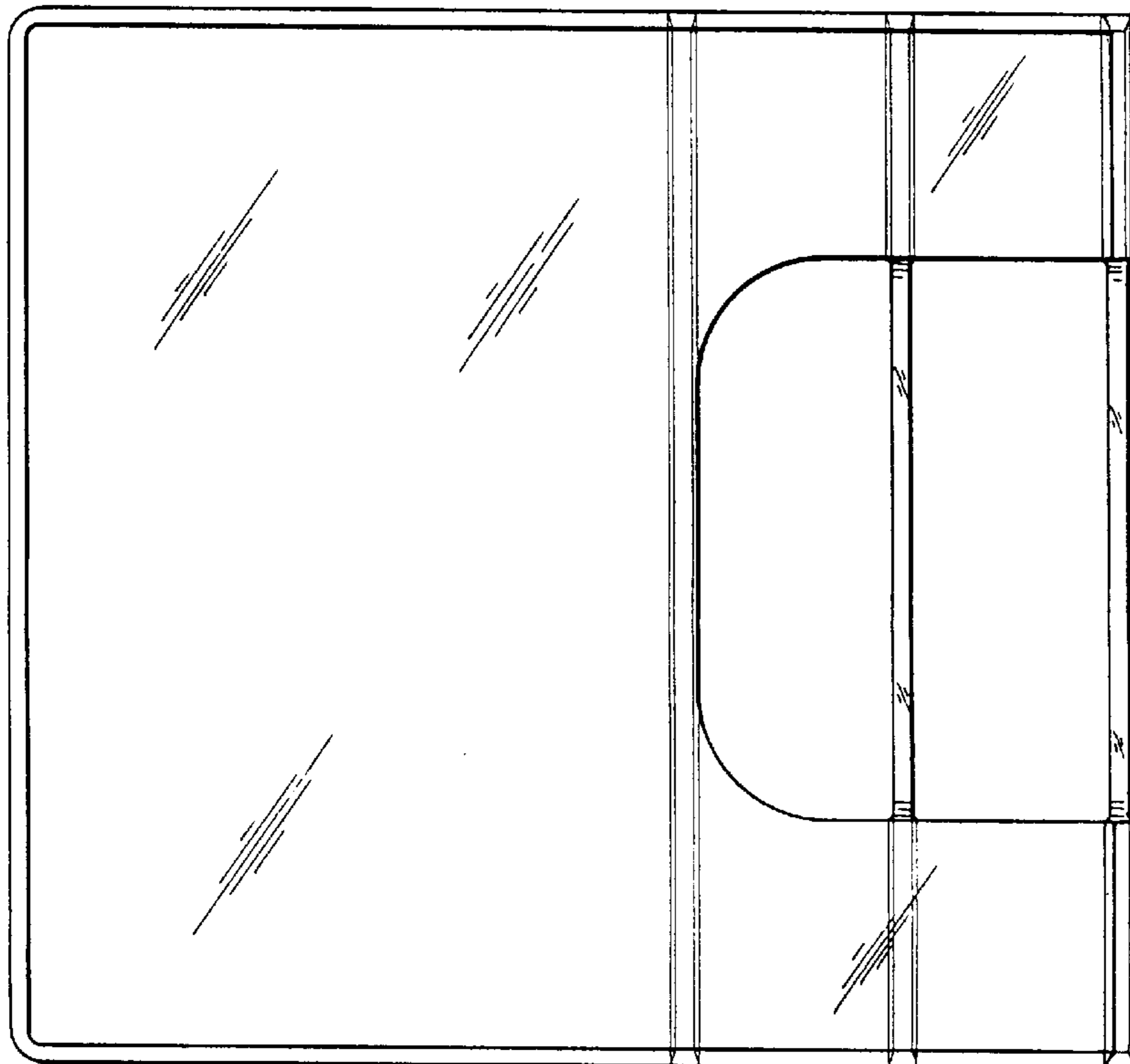


FIG. 6

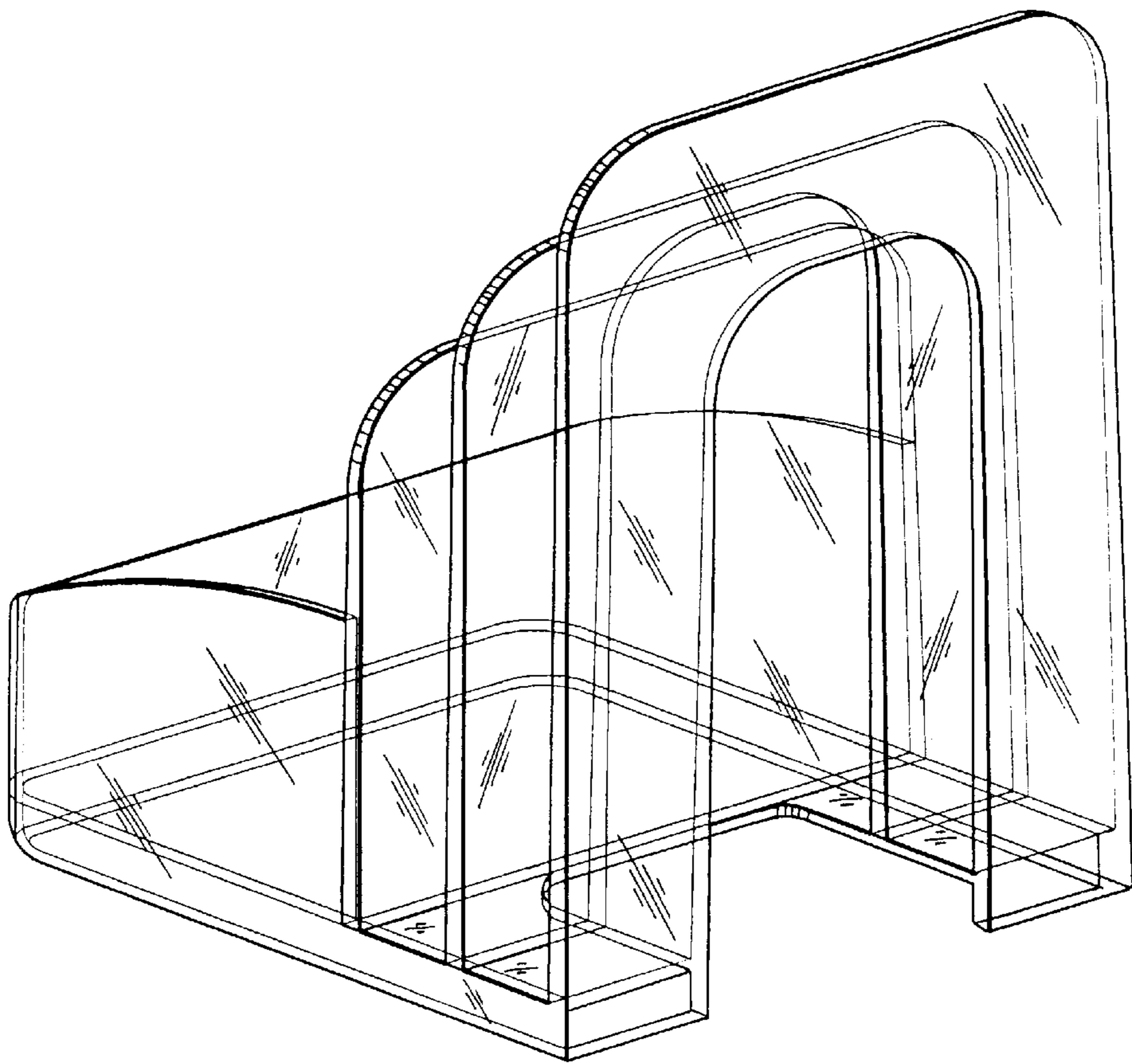


FIG. 7

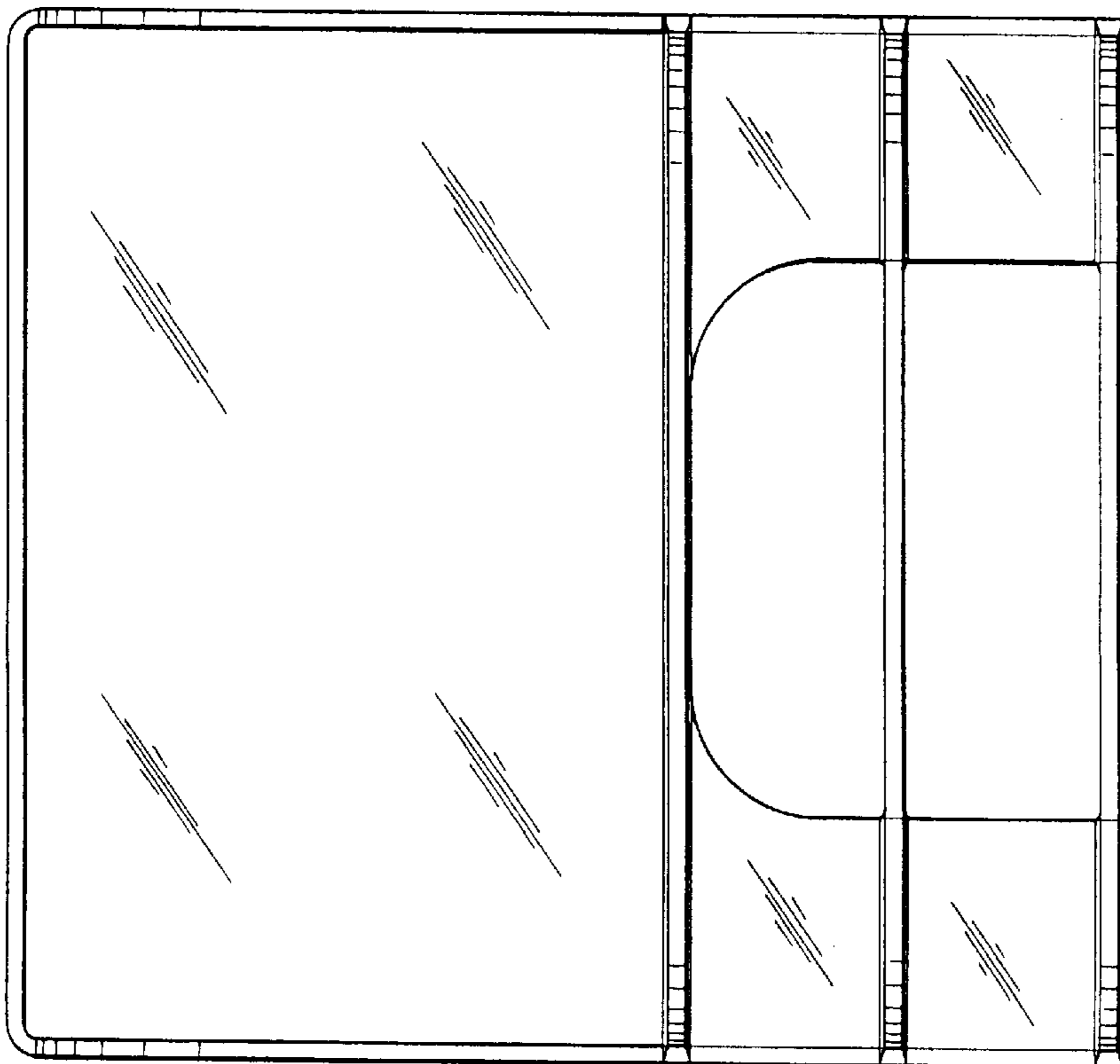


FIG. 8

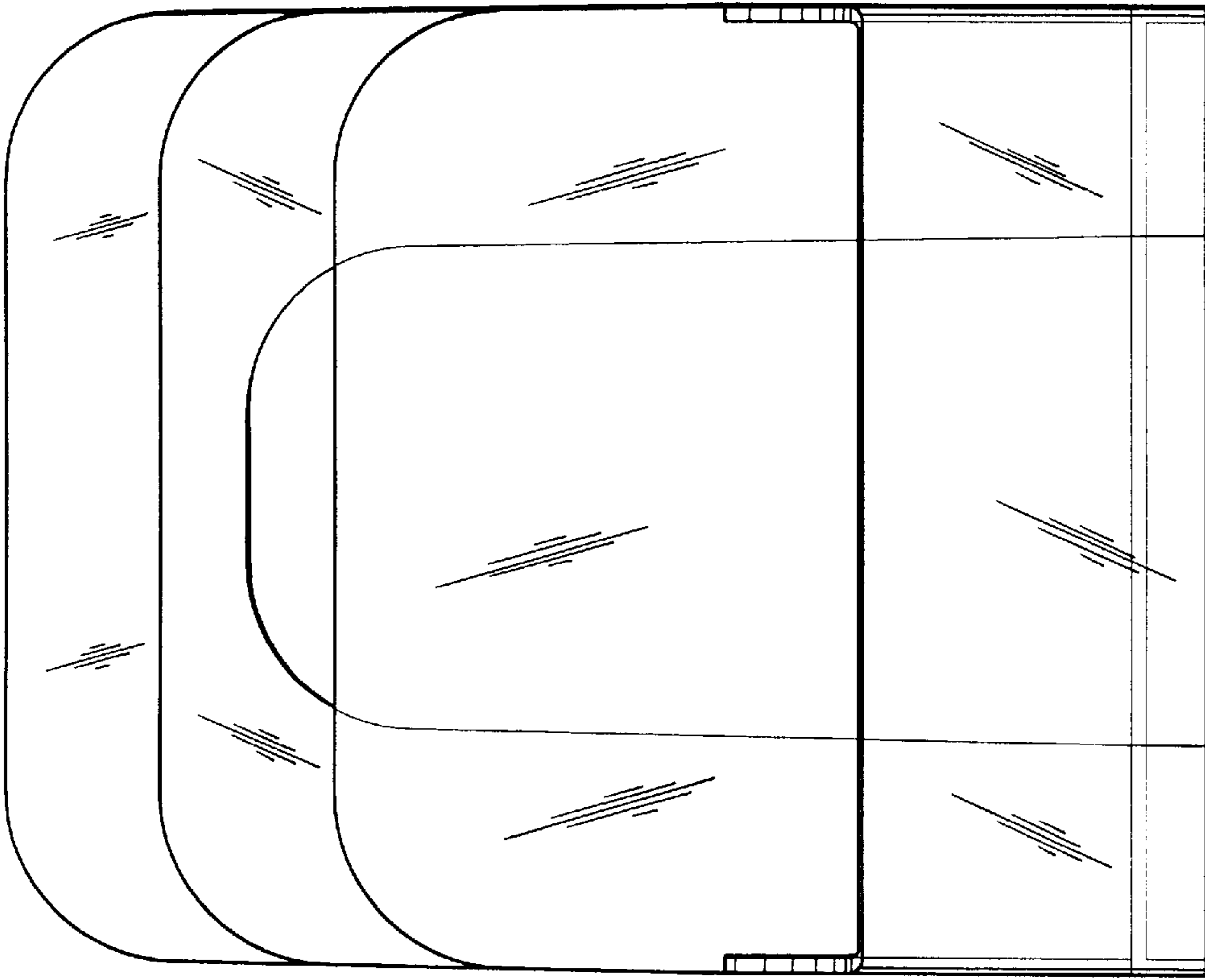


FIG. 10

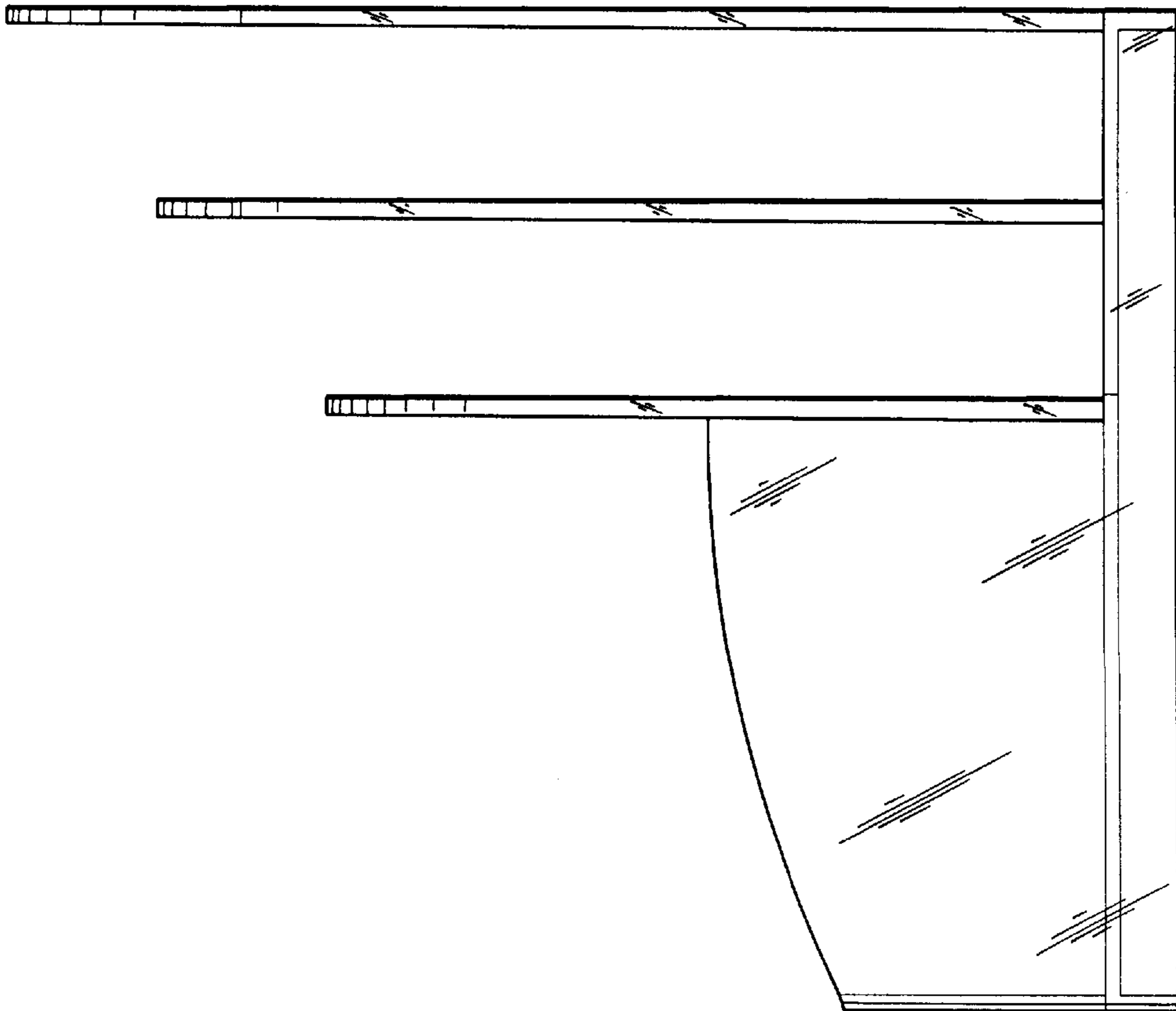


FIG. 9

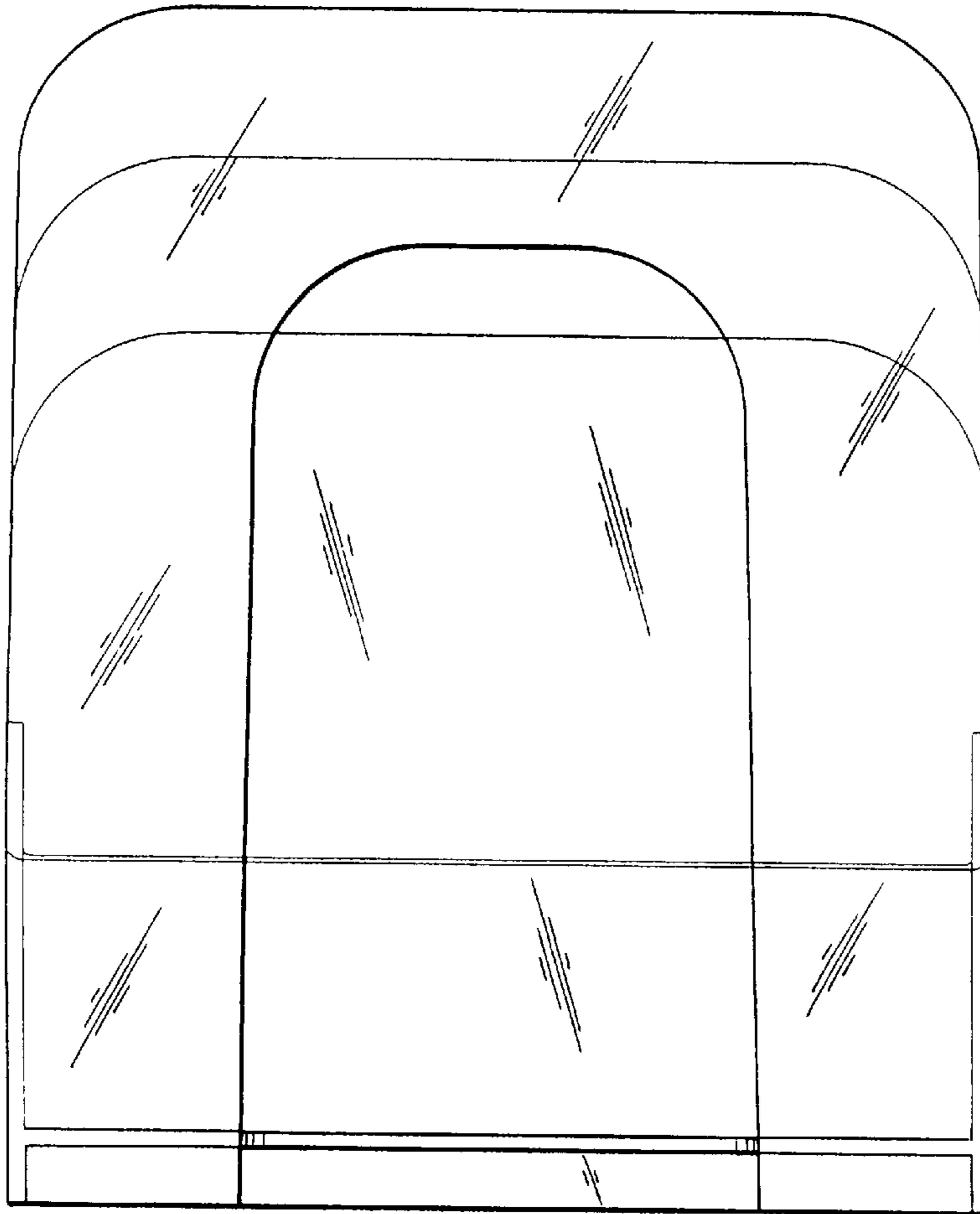


FIG. 11

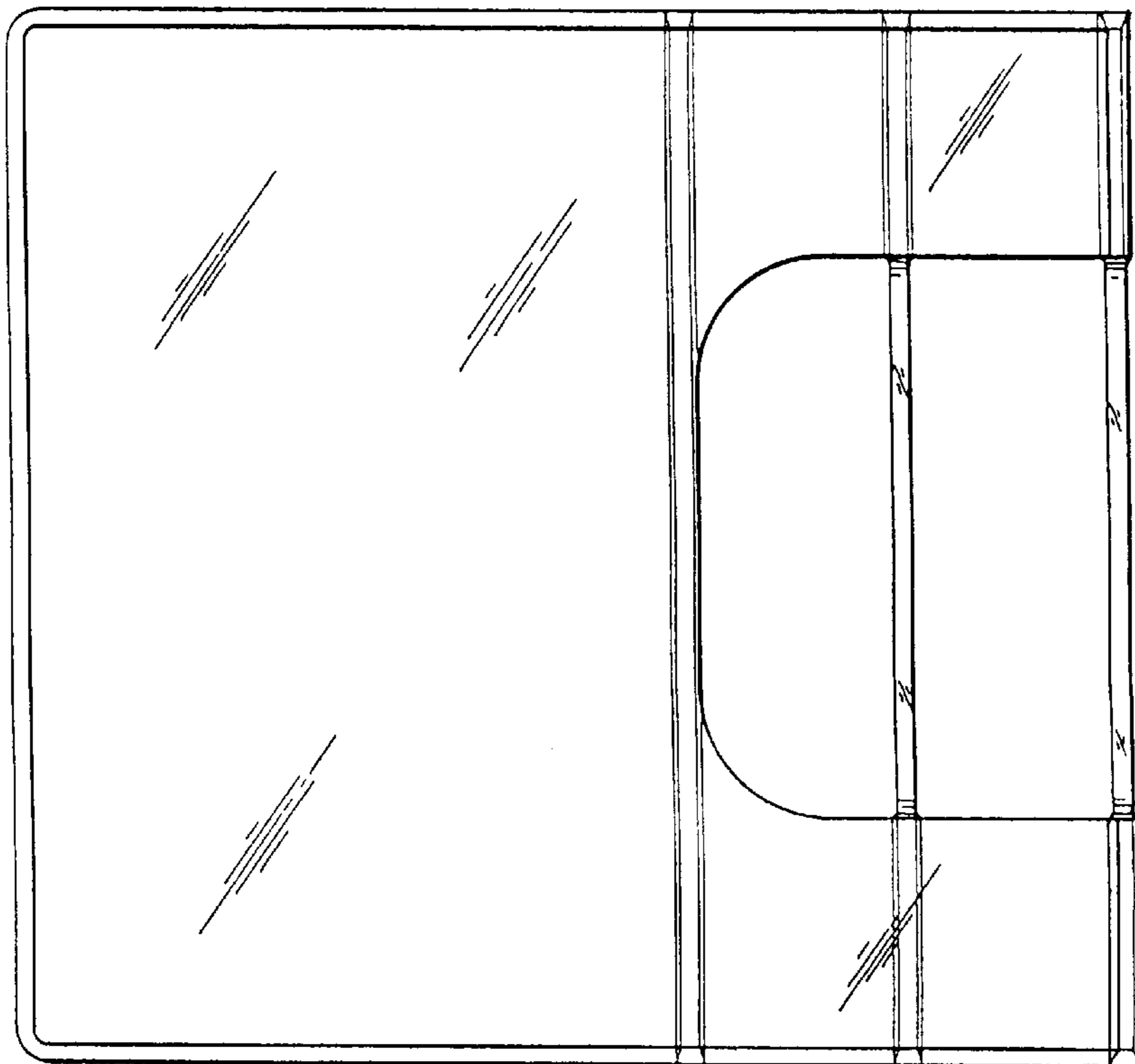


FIG. 12

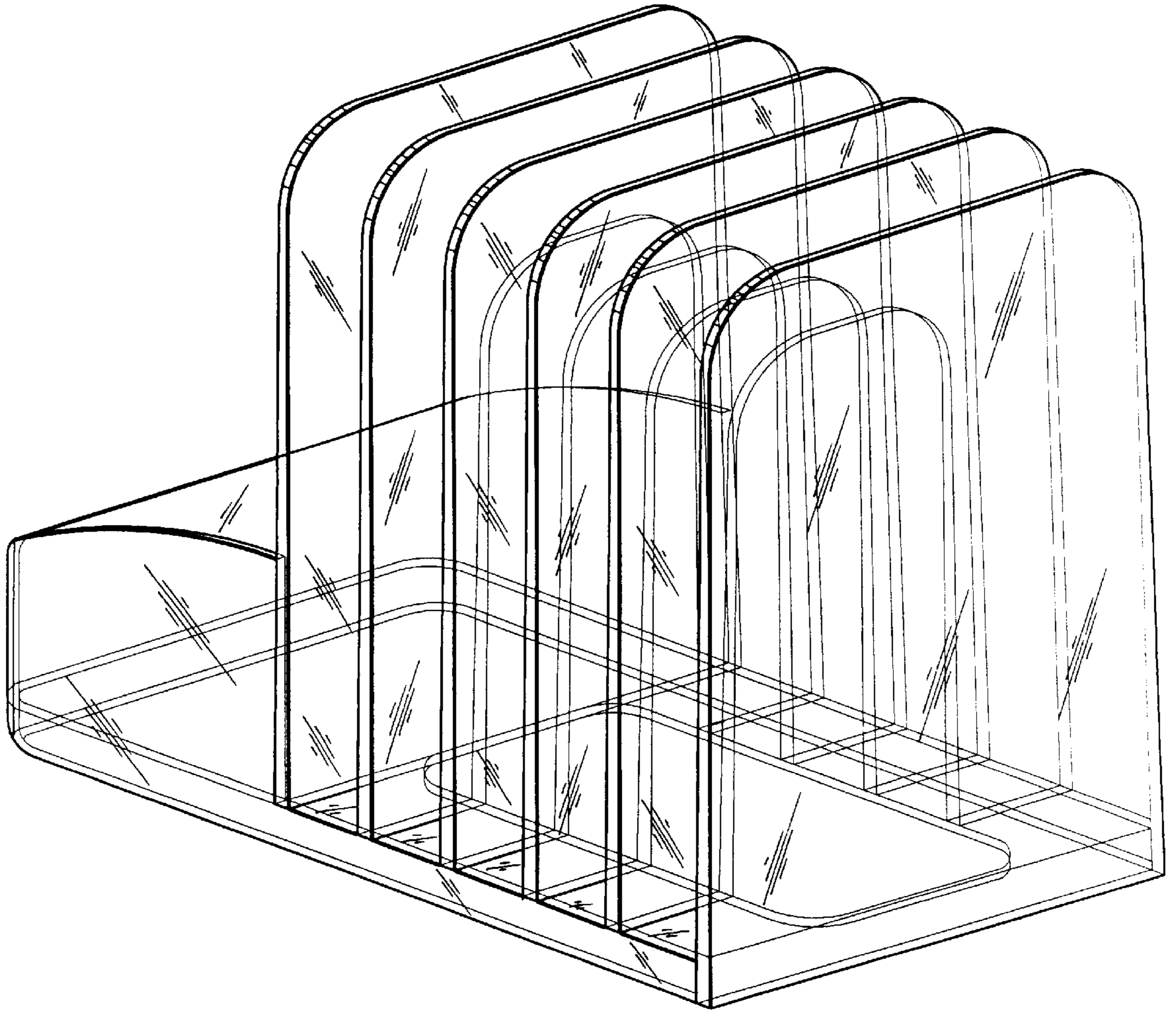


FIG. 13

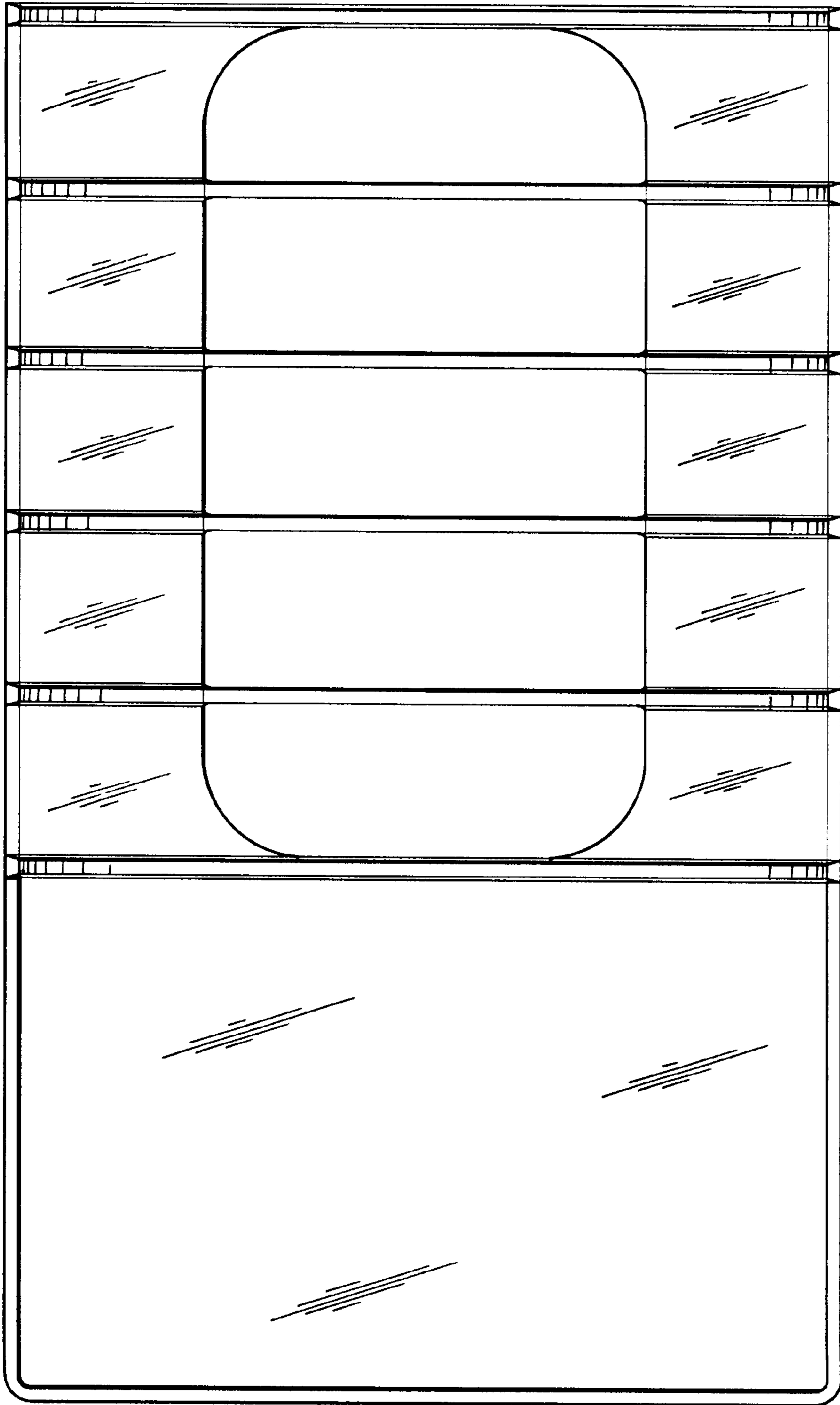


FIG. 14

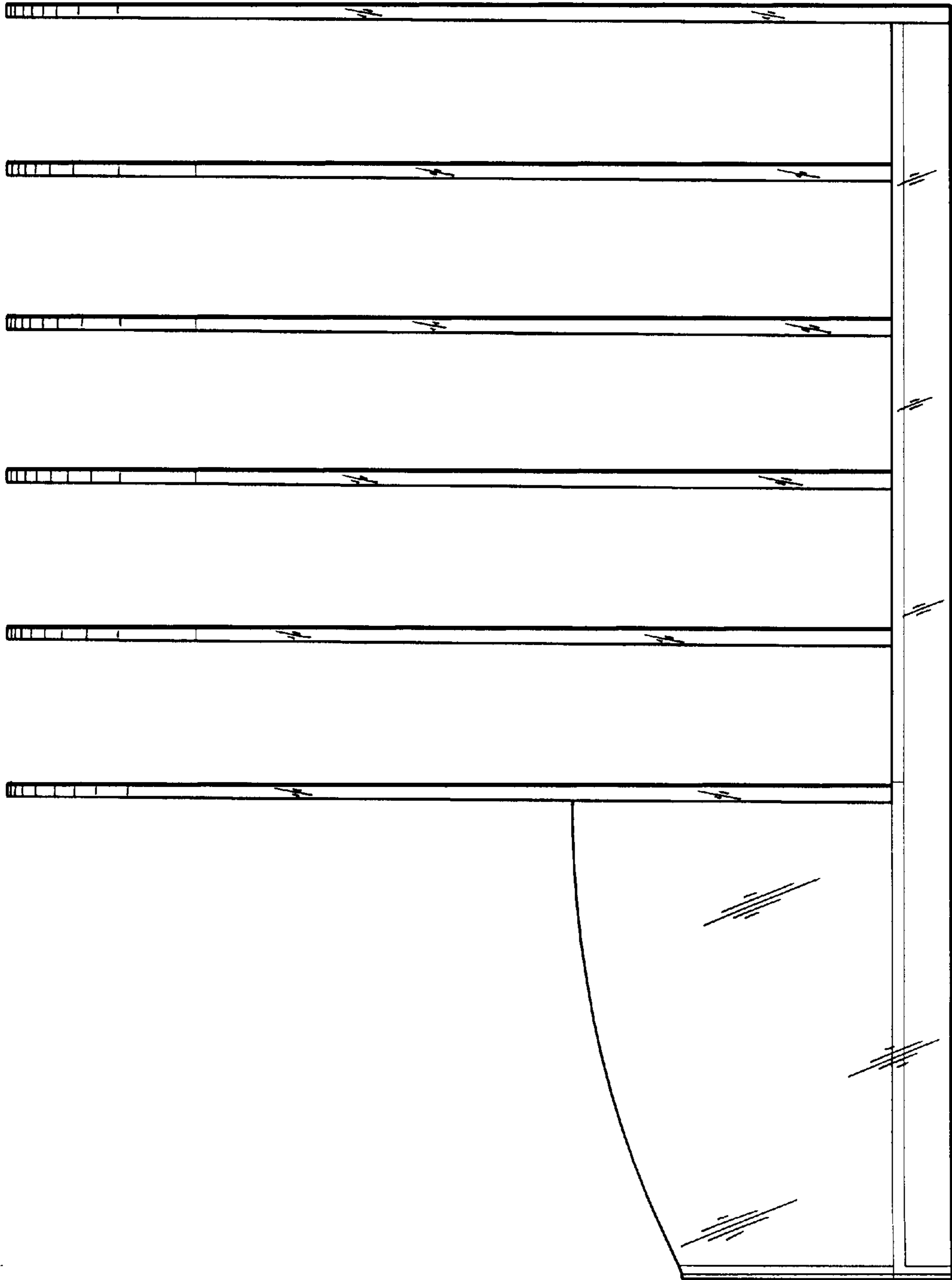


FIG. 15

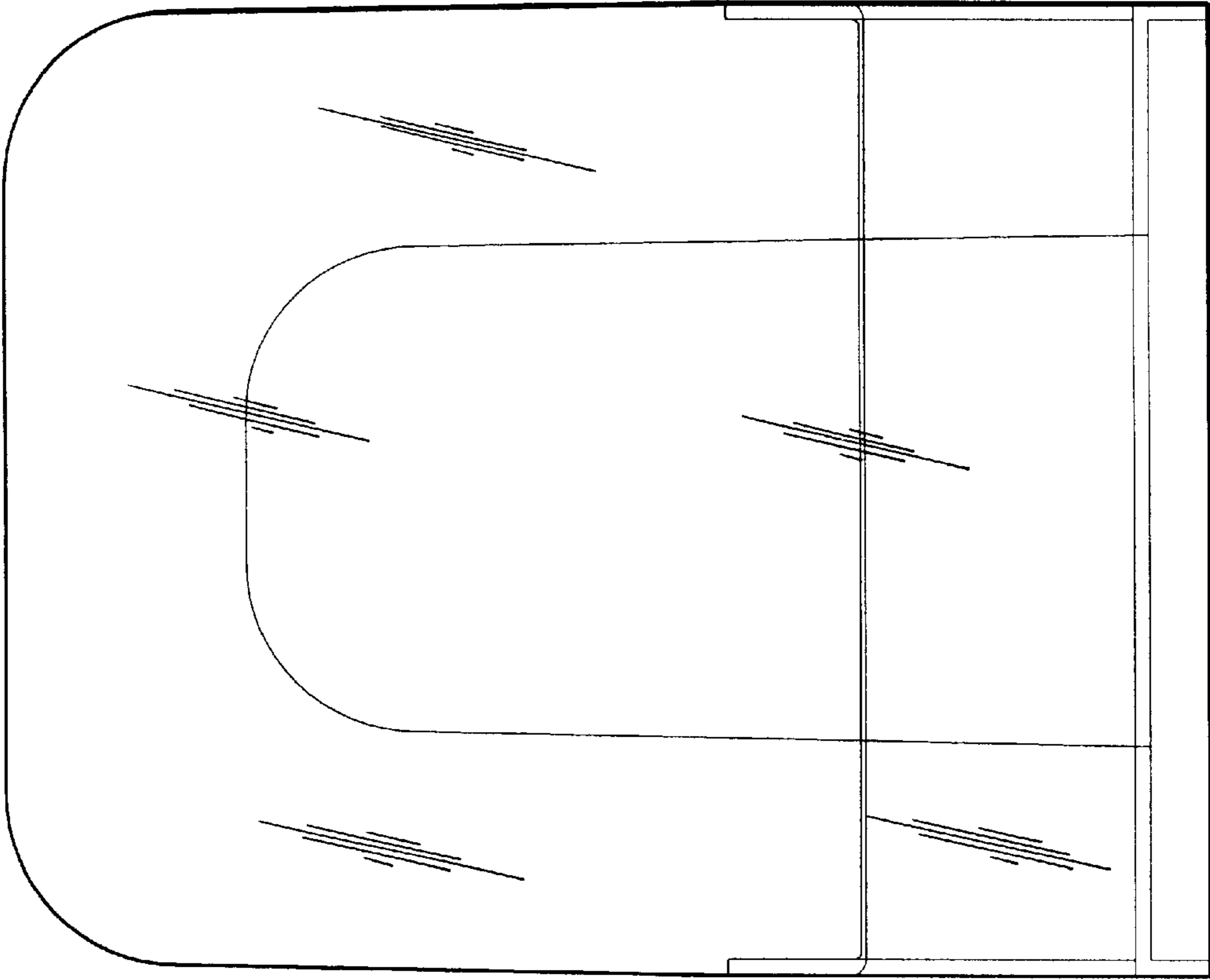


FIG.17

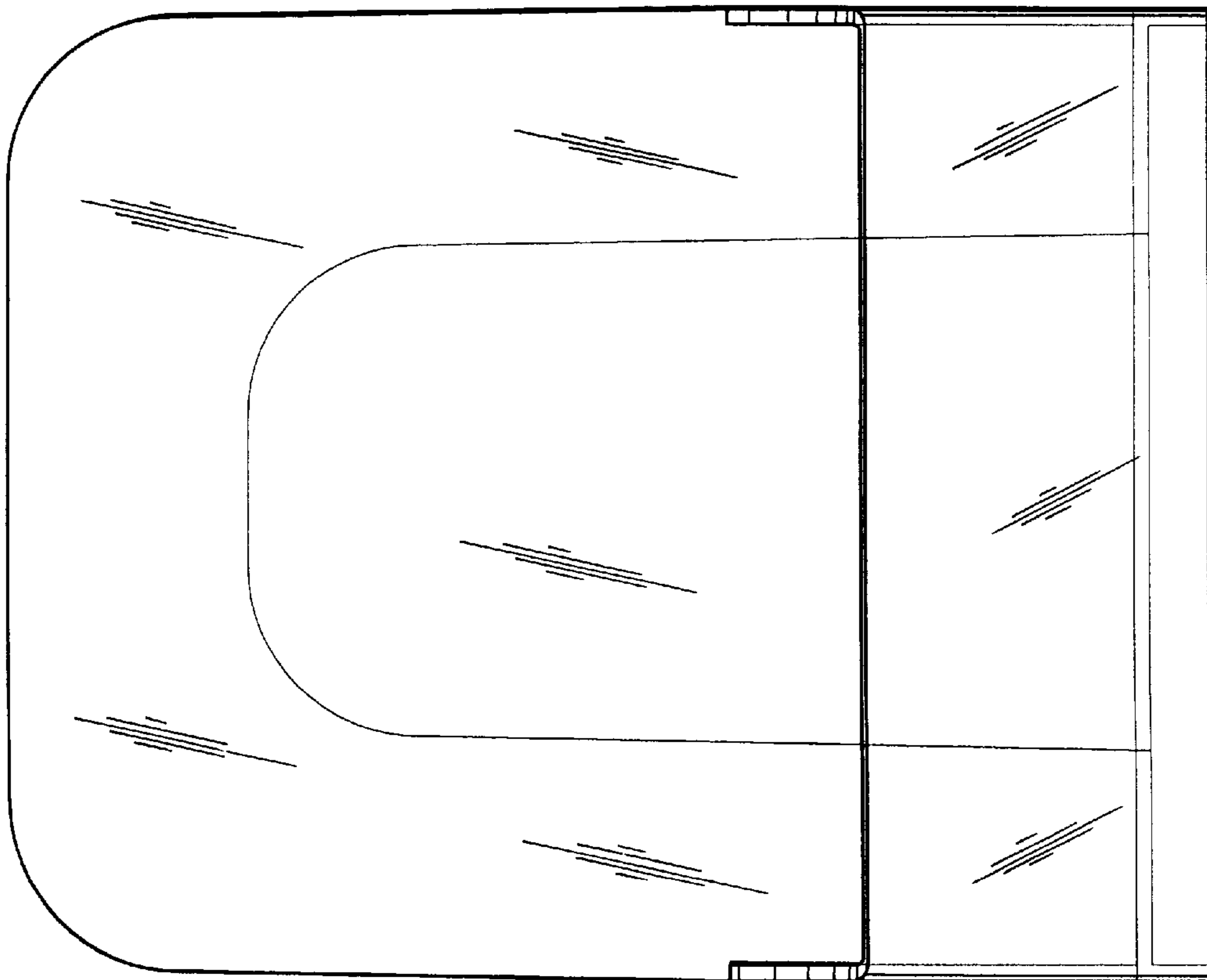


FIG.16

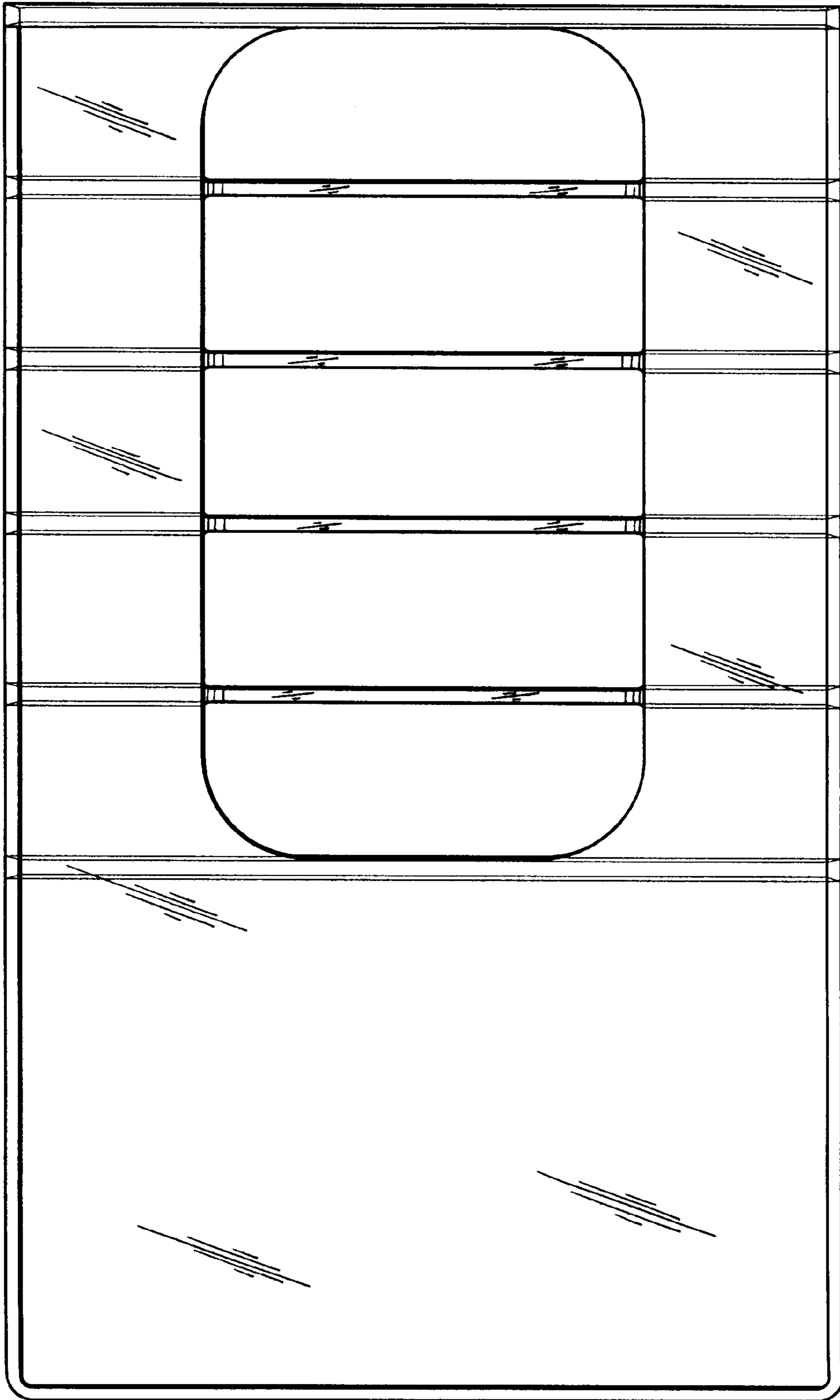


FIG.18