



US00D411858S

United States Patent [19]
Katami

[11] **Patent Number: Des. 411,858**
[45] **Date of Patent: ** Jul. 6, 1999**

[54] **PEN**
[75] **Inventor: Kazunori Katami, Tsurugashima, Japan**
[73] **Assignee: Tombow Pencil Co. Ltd, Tokyo, Japan**
[**] **Term: 14 Years**

D. 337,350 7/1993 Wong D19/51
D. 358,842 5/1995 Shiau D19/36
D. 374,893 10/1996 Yazawa D19/41 X
D. 385,915 11/1997 Shimizu D19/48
D. 385,918 11/1997 Katami D19/57
D. 389,186 1/1998 Shimizu D19/56 X
3,135,242 6/1964 Helitas .

[21] **Appl. No.: 29/086,132**
[22] **Filed: Apr. 6, 1998**

Primary Examiner—Martie K. Holtje
Attorney, Agent, or Firm—Townsend and Townsend and Crew LLP

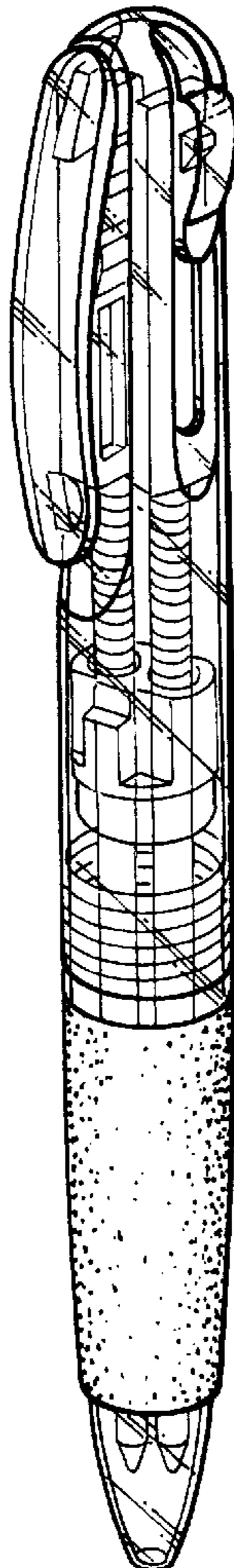
[51] **LOC (6) Cl. 19-06**
[52] **U.S. Cl. D19/51; D19/48; D19/55; D19/56**
[58] **Field of Search D19/35, 36, 41-51, D19/53-58, 81-85; 401/99, 100, 209, 29, 30, 31, 32, 33, 34**

[57] **CLAIM**
The ornamental design for a pen, as shown and described.

[56] **References Cited**
U.S. PATENT DOCUMENTS
D. 324,067 2/1992 Katami D19/48
D. 324,070 2/1992 Suzuki D19/51
D. 329,461 9/1992 Katami D19/51
D. 336,108 6/1993 Kazunori D19/48

DESCRIPTION
FIG. 1 is a perspective view of a pen showing my new design;
FIG. 2 is the front elevational view of the pen;
FIG. 3 is the right side elevational view of the pen; the left side being a mirror image thereof;
FIG. 4 is the rear elevational view of the pen;
FIG. 5 is the top plan view; and,
FIG. 6 is the bottom plan view.

1 Claim, 1 Drawing Sheet



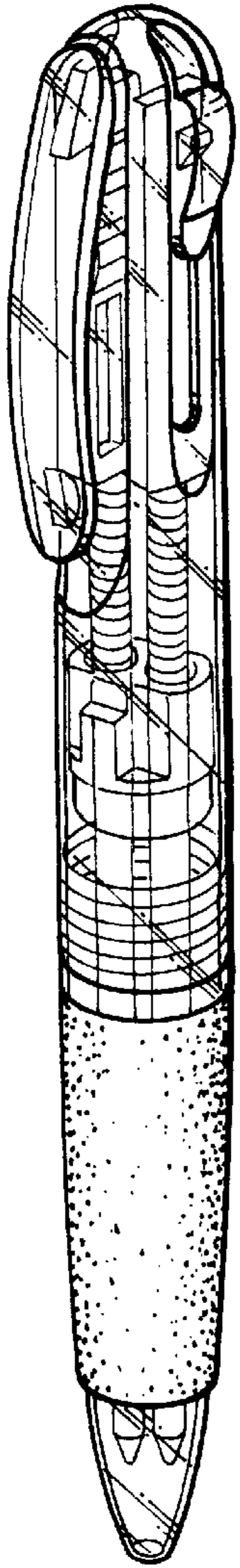


FIG. 1.

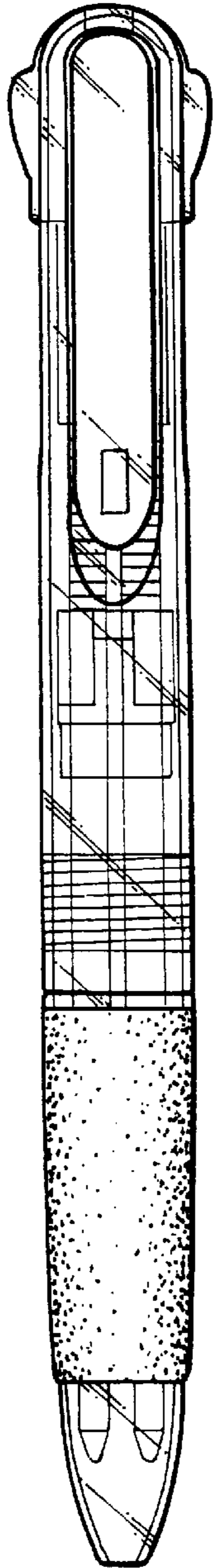


FIG. 2.

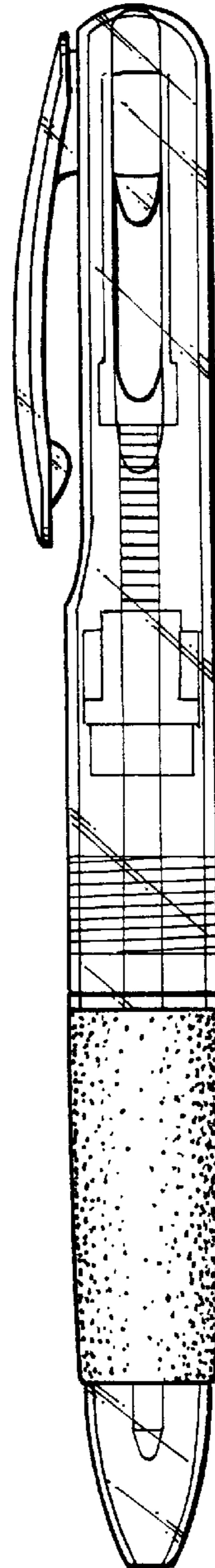


FIG. 3.

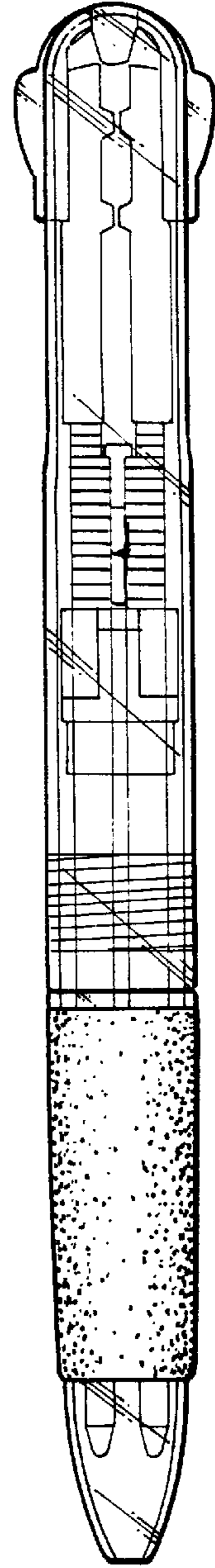


FIG. 4.

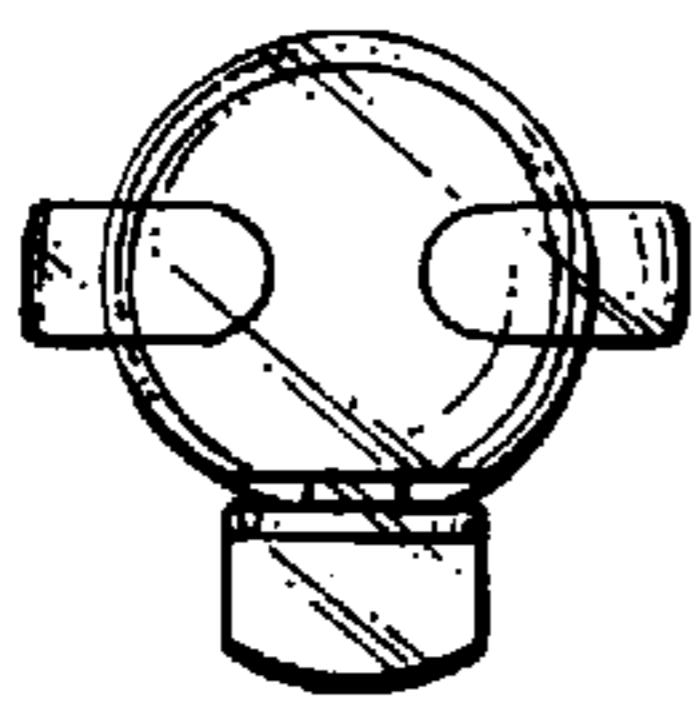


FIG. 5.

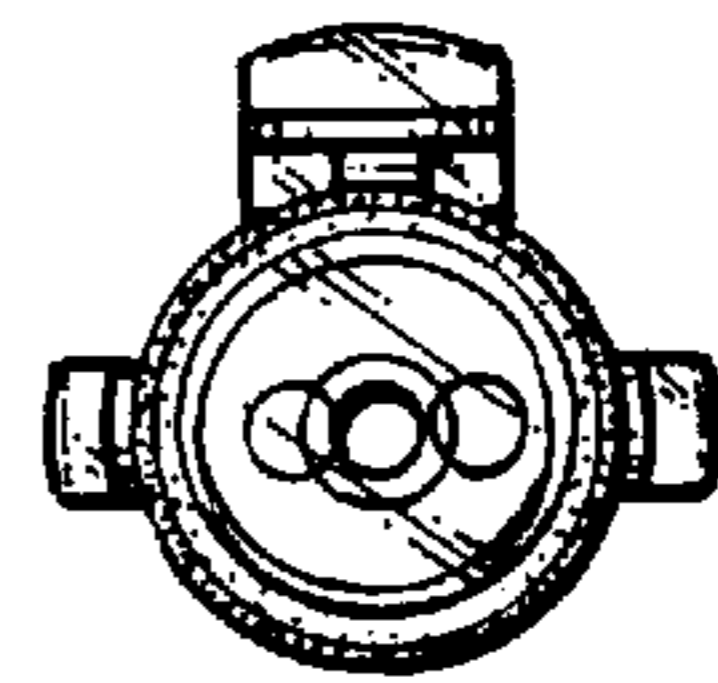


FIG. 6.