



US00D411857S

United States Patent [19]

Bedol et al.

[11] Patent Number: Des. 411,857

[45] Date of Patent: ** Jul. 6, 1999

[54] ELECTRONIC CALCULATOR

[75] Inventors: **Mark A. Bedol**, P.O. Box 1268, Claremont, Calif. 91711; **Afshin Toussi**, Santa Ana, Calif.

[73] Assignee: **Mark A. Bedol**, Claremont, Calif.

[**] Term: **14 Years**

[21] Appl. No.: **29/085,556**

[22] Filed: **Mar. 25, 1998**

[51] **LOC (6) Cl.** **18-01**

[52] **U.S. Cl.** **D18/2; D10/71; D19/32**

[58] **Field of Search** **D18/2, 6, 7, 11; D10/62, 70, 71; D19/32; 364/706-710**

[56] References Cited

U.S. PATENT DOCUMENTS

D. 207,794	5/1967	Cherrington	D10/62
D. 322,039	12/1991	Chien	D10/64
D. 369,178	4/1996	Bedol	D18/6
D. 396,424	7/1998	Bedol et al.	D10/71
D. 397,301	8/1998	Bedol et al.	D10/71
D. 397,302	8/1998	Bedol et al.	D10/71
D. 397,303	8/1998	Bedol et al.	D10/71
D. 398,250	9/1998	Dietterich et al.	D10/62

Primary Examiner—Caron D. Veynar

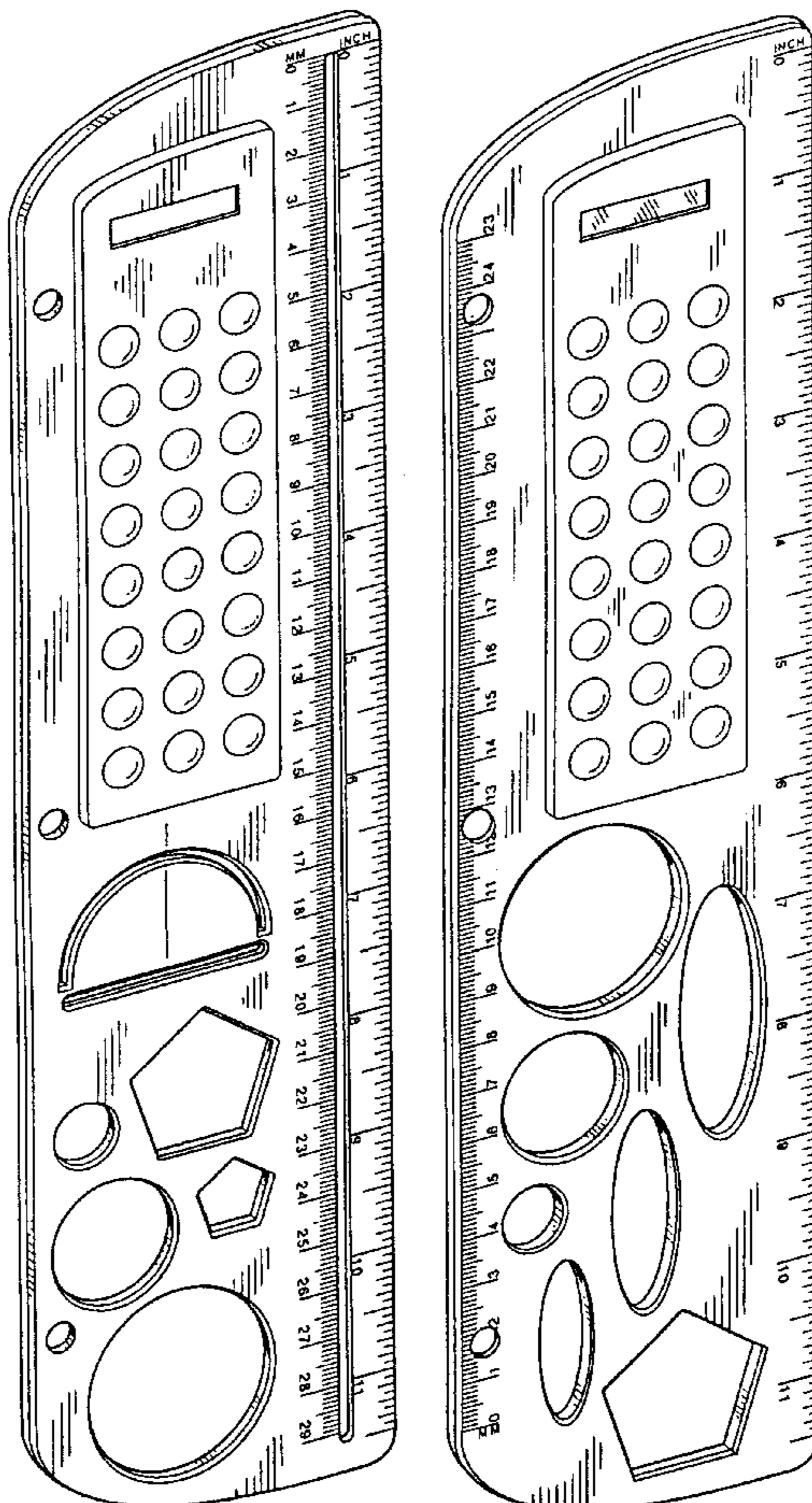
[57] CLAIM

The ornamental design for an electronic calculator, as shown and described.

DESCRIPTION

FIG. 1 is a front, left, and top perspective view of an electronic calculator, showing our new design; FIG. 2 is a front elevation view thereof; FIG. 3 is a rear elevation view thereof; FIG. 4 is a bottom plan view thereof; FIG. 5 is a top plan view thereof; FIG. 6 is a left side view thereof; FIG. 7 is a right side view thereof; FIG. 8 is a front, left, and top perspective view of an electronic calculator, showing an alternative embodiment of our new design; FIG. 9 is a front elevation view of our alternative embodiment thereof; FIG. 10 is a rear elevation view of the alternative embodiment thereof; FIG. 11 is a bottom plan view of the alternative embodiment thereof; FIG. 12 is a top plan view of the alternative embodiment thereof; FIG. 13 is a left side view of the alternative embodiment thereof; and, FIG. 14 is a right side view of the alternative embodiment thereof.

1 Claim, 4 Drawing Sheets



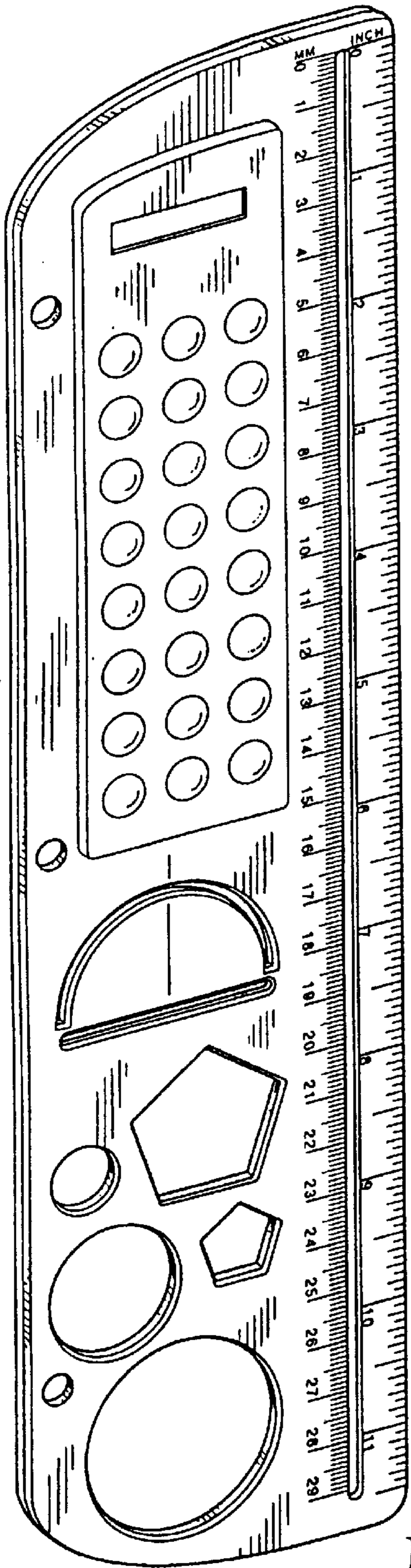


FIG. 1



FIG. 4



FIG. 5



FIG. 6

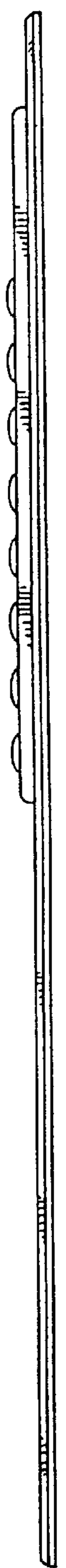


FIG. 7

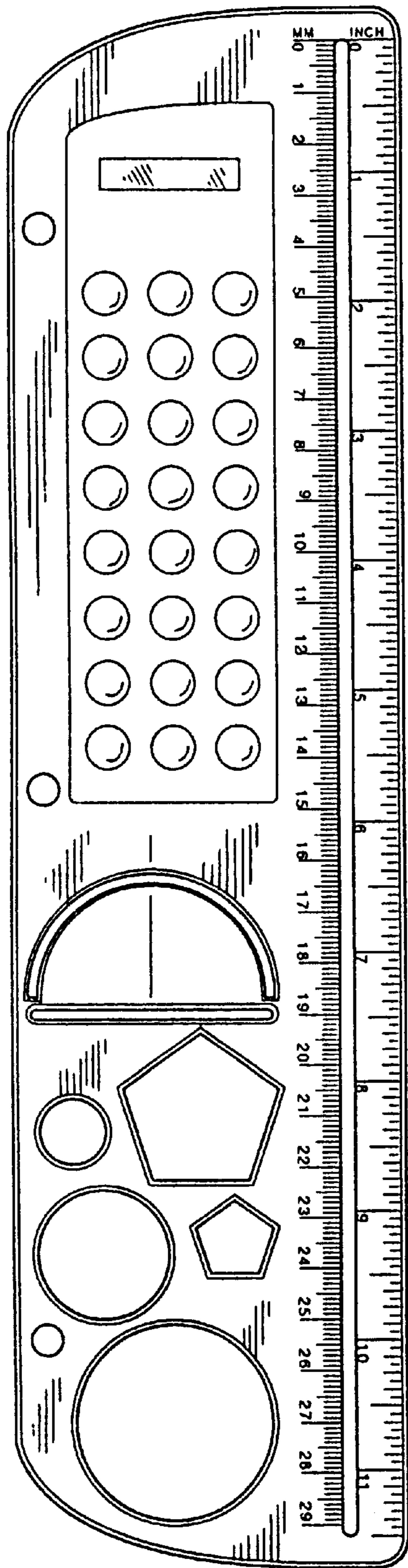


FIG. 2

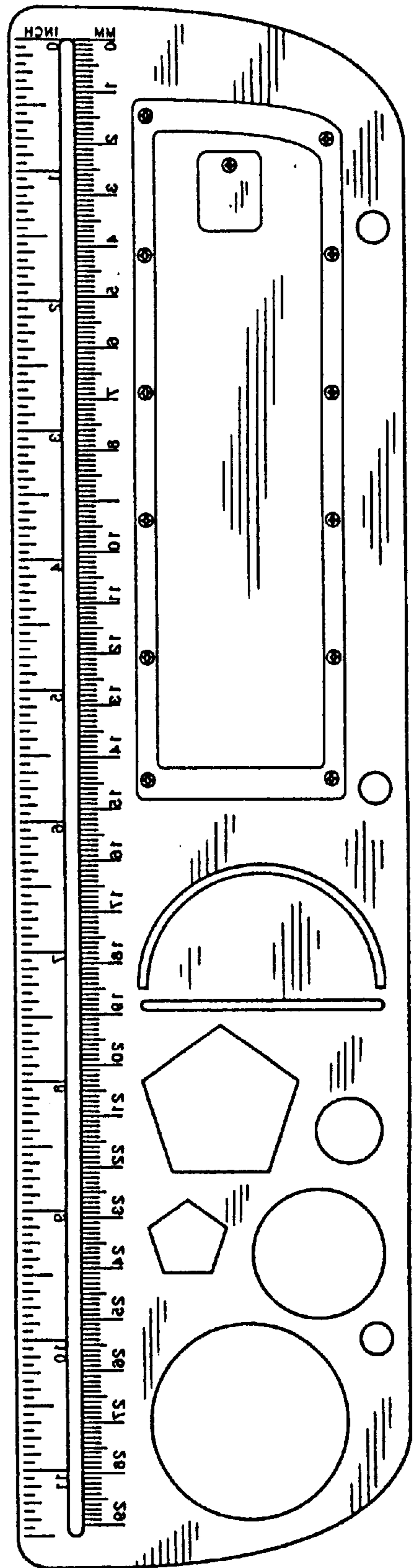


FIG. 3

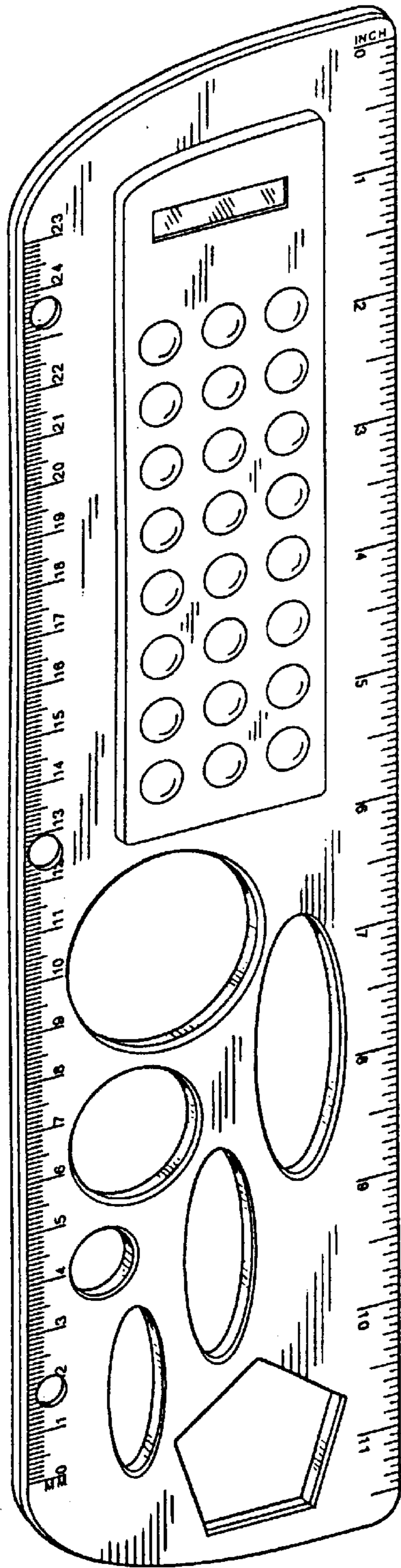


FIG. 8



FIG. 11

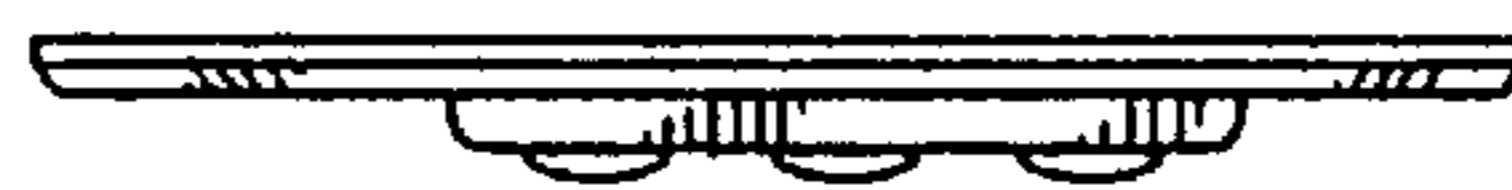


FIG. 12

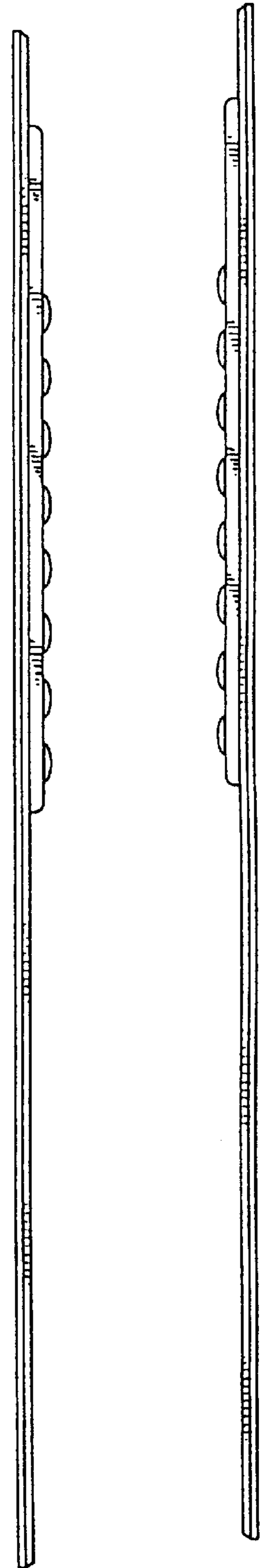


FIG. 13 FIG. 14

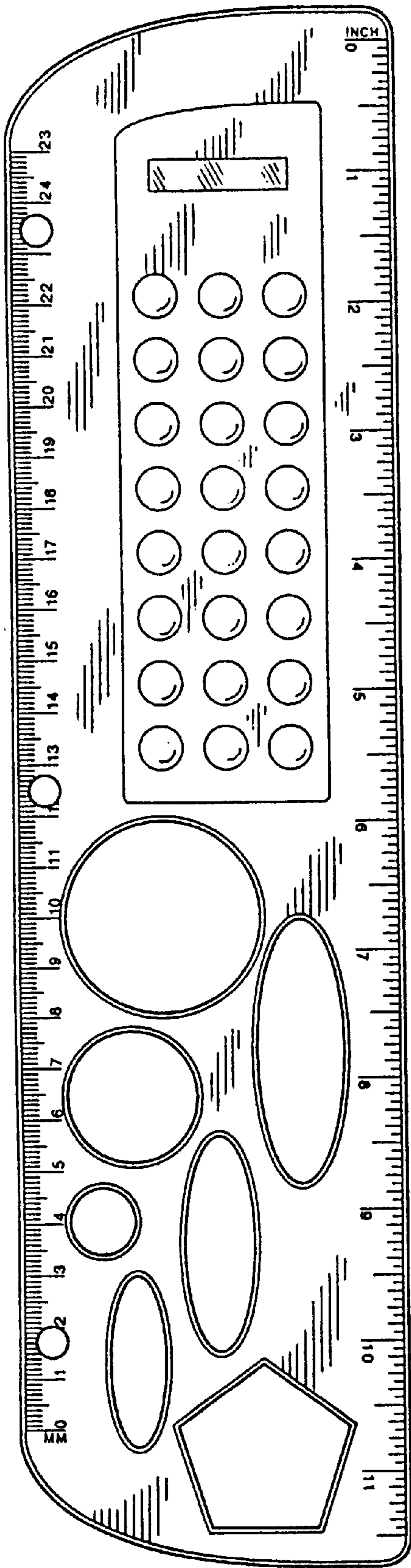


FIG. 9

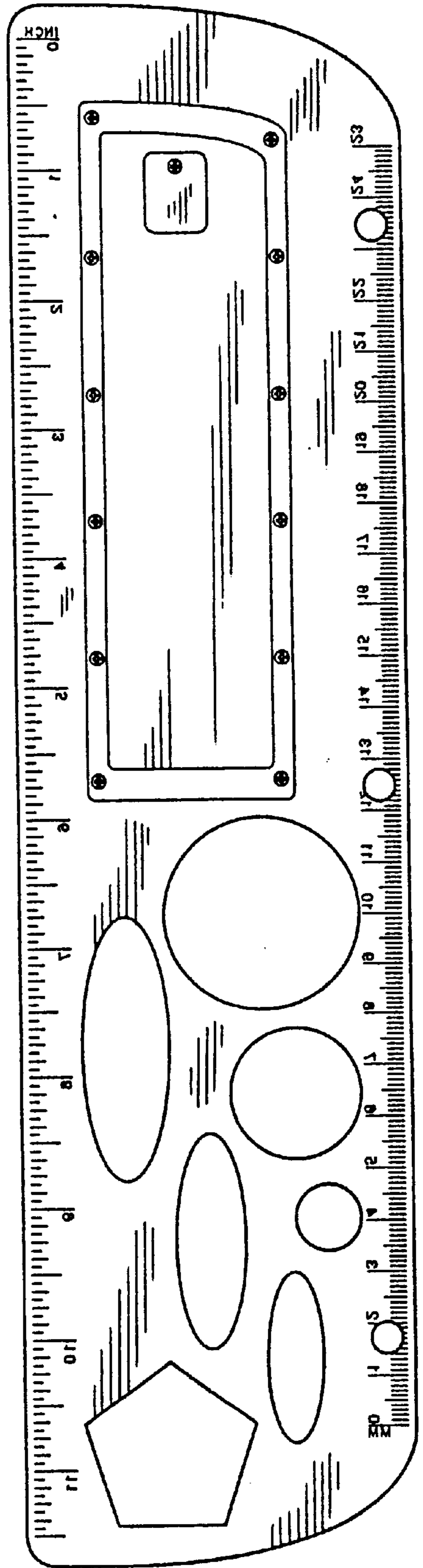


FIG. 10