



US00D411854S

# United States Patent [19] Friedman

[11] **Patent Number: Des. 411,854**  
[45] **Date of Patent: \*\* Jul. 6, 1999**

[54] **FRAMELESS CLIP-ON WRAPAROUND SUNGLASS UNIT**

[76] Inventor: **Dean Friedman**, 61 Ulster Ave., Atlantic Beach, N.Y. 11509

[\*\*] Term: **14 Years**

[21] Appl. No.: **29/085,103**

[22] Filed: **Mar. 16, 1998**

### Related U.S. Application Data

[62] Division of application No. 29/072,347, Jun. 13, 1997, Pat. No. Des. 400,556.

[51] **LOC (6) Cl.** ..... **16-06**

[52] **U.S. Cl.** ..... **D16/330; D16/900**

[58] **Field of Search** ..... D16/300-330, D16/101, 900, 337; 351/41, 44, 47-48, 51-52, 57-59, 158; 2/247, 248

### [56] **References Cited**

#### U.S. PATENT DOCUMENTS

D. 208,070 7/1967 Boxer ..... D16/315

D. 301,250	5/1989	Stephens	.....	D16/316
D. 336,308	6/1993	Shelton	.....	D16/330
D. 350,359	9/1994	Friedman	.....	D16/334
D. 373,782	9/1996	Shelton	.....	D16/332
3,413,057	11/1968	Carmichael	.	
3,876,295	4/1975	Loughner	.....	351/47
4,163,607	8/1979	Nannini	.....	351/47
4,973,148	11/1990	Gazeley	.....	351/47
5,801,804	9/1998	Pennise	.....	351/44

*Primary Examiner*—Raphael Barkai  
*Attorney, Agent, or Firm*—Robert L. Epstein, Esq.; Harold James, Esq.; James & Franklin, LLP

### [57] **CLAIM**

The ornamental design for a frameless clip-on wraparound sunglass unit, as shown and described.

### **DESCRIPTION**

FIG. 1 is an isometric view of the front and one side of the present invention;  
FIG. 2 is a rear view of the design shown in FIG. 1;  
FIG. 3 is a bottom view of the design shown in FIG. 1; and,  
FIG. 4 is a side view of the design shown in FIG. 1.

**1 Claim, 2 Drawing Sheets**

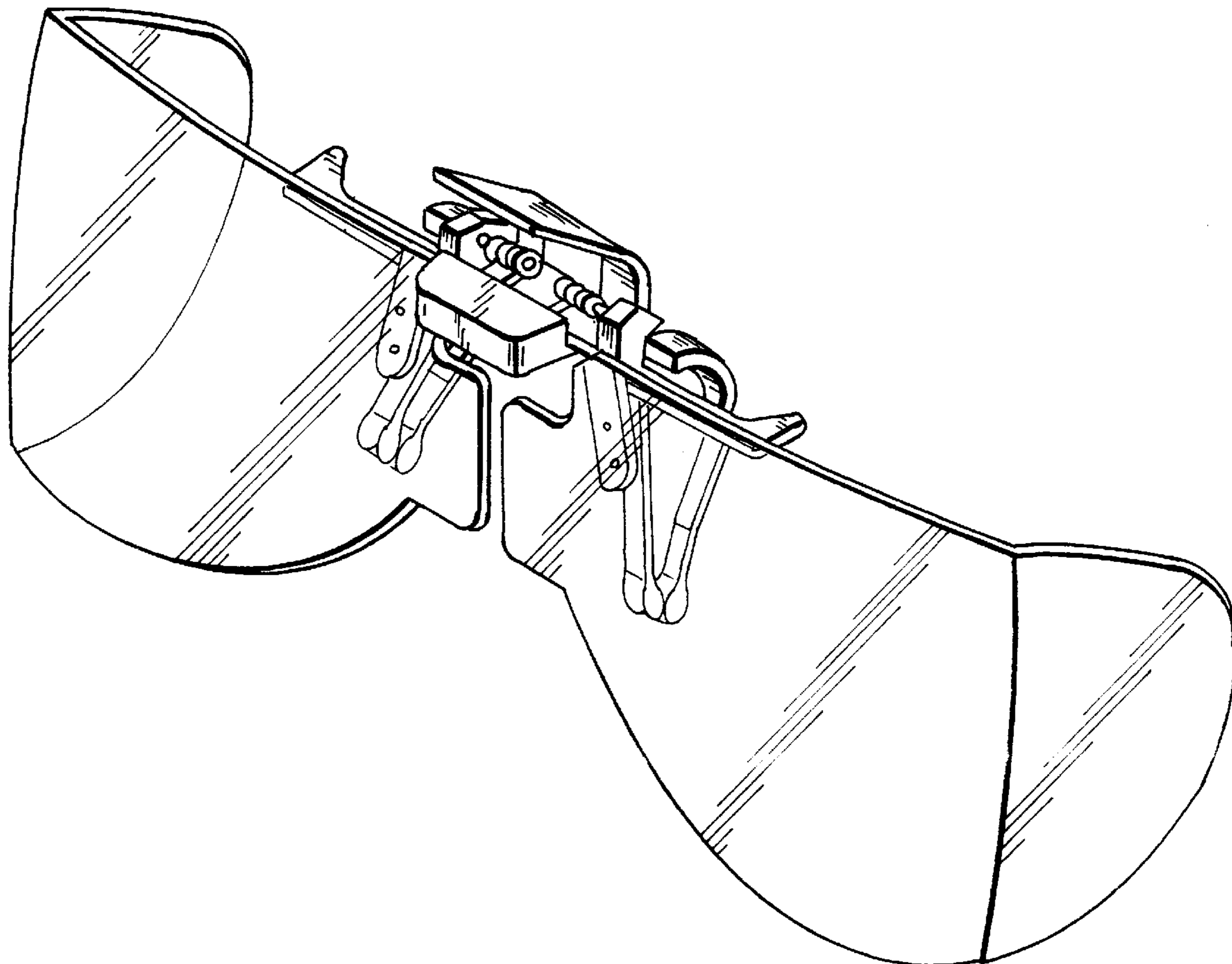


FIG. 1

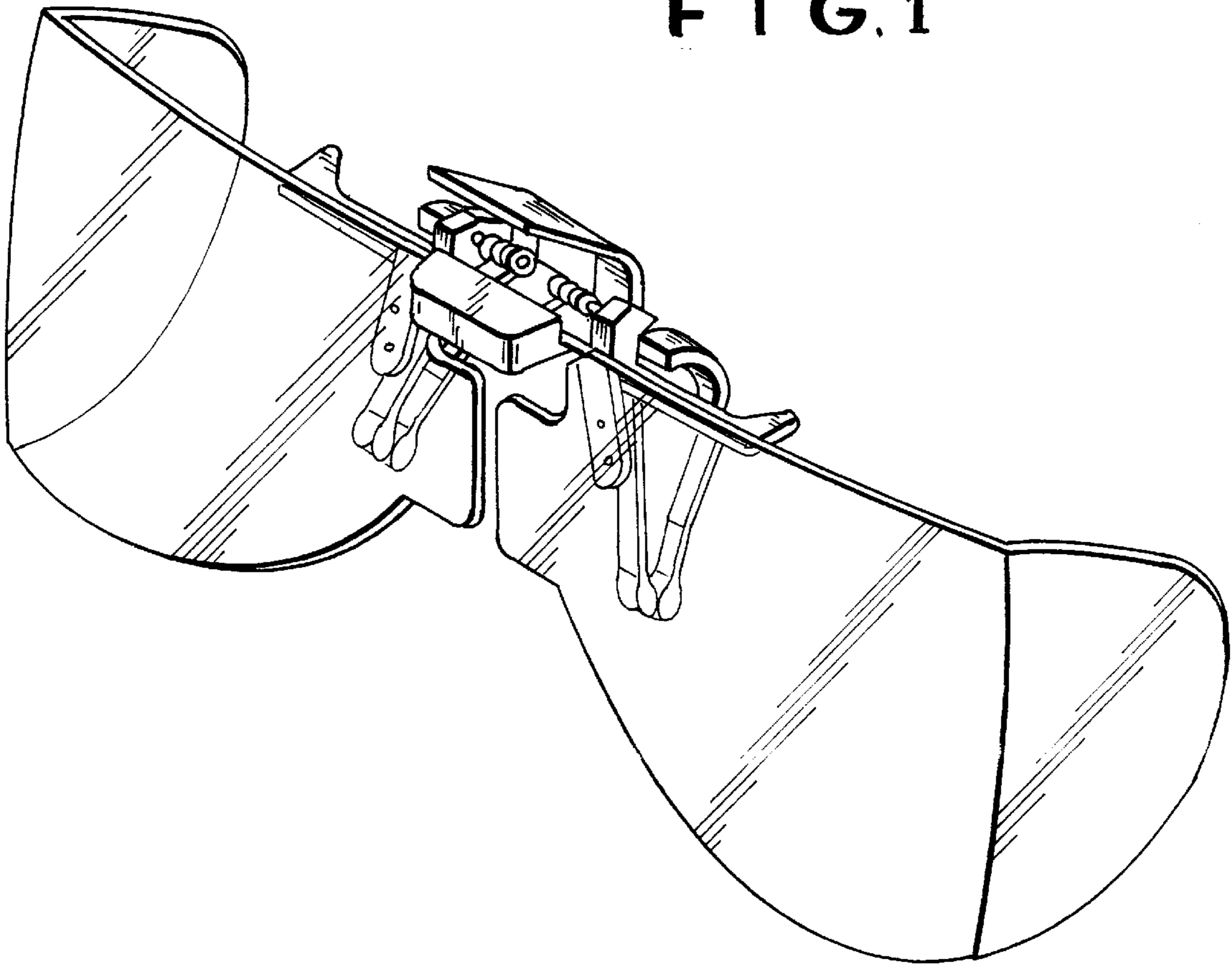
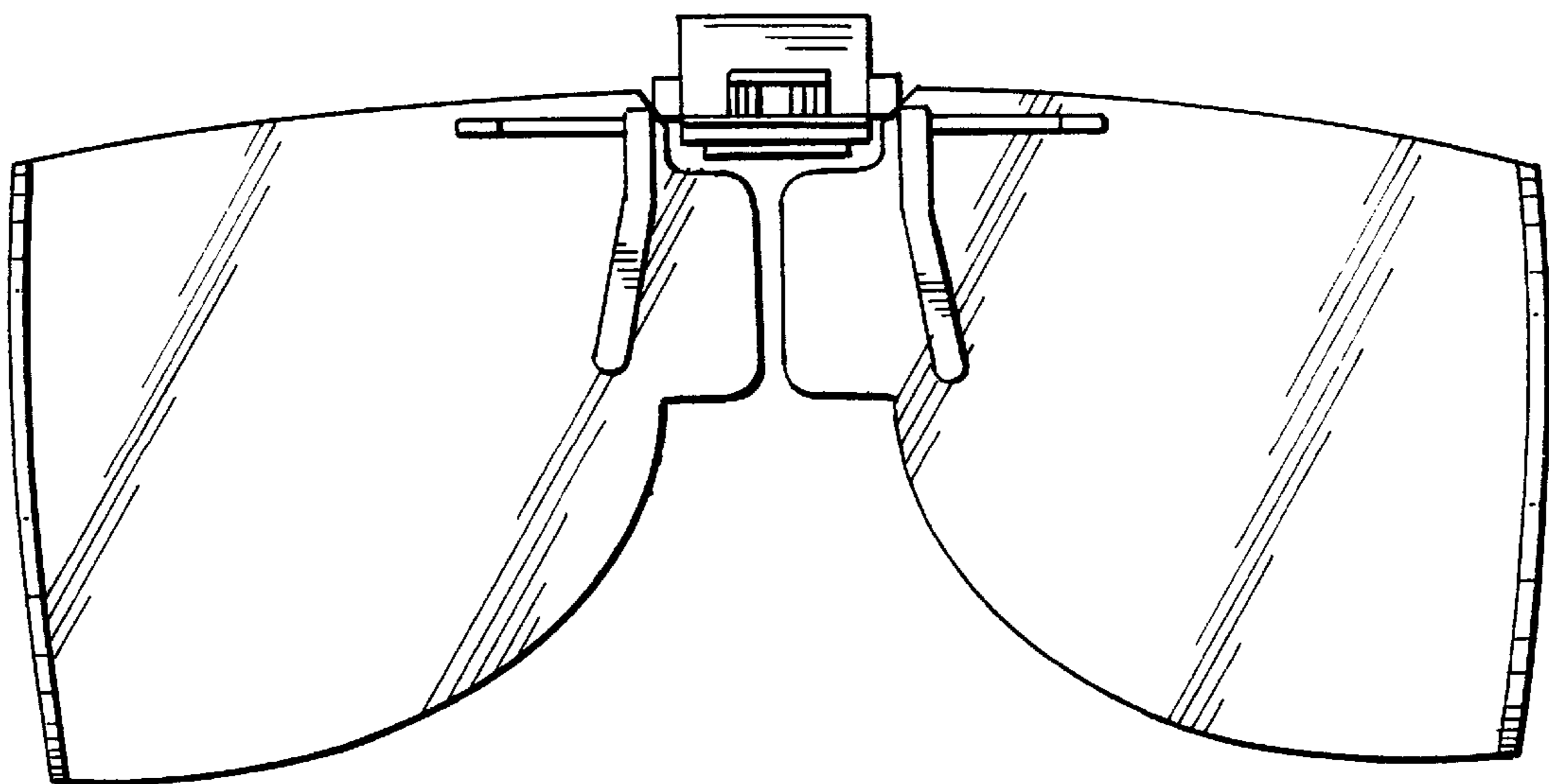
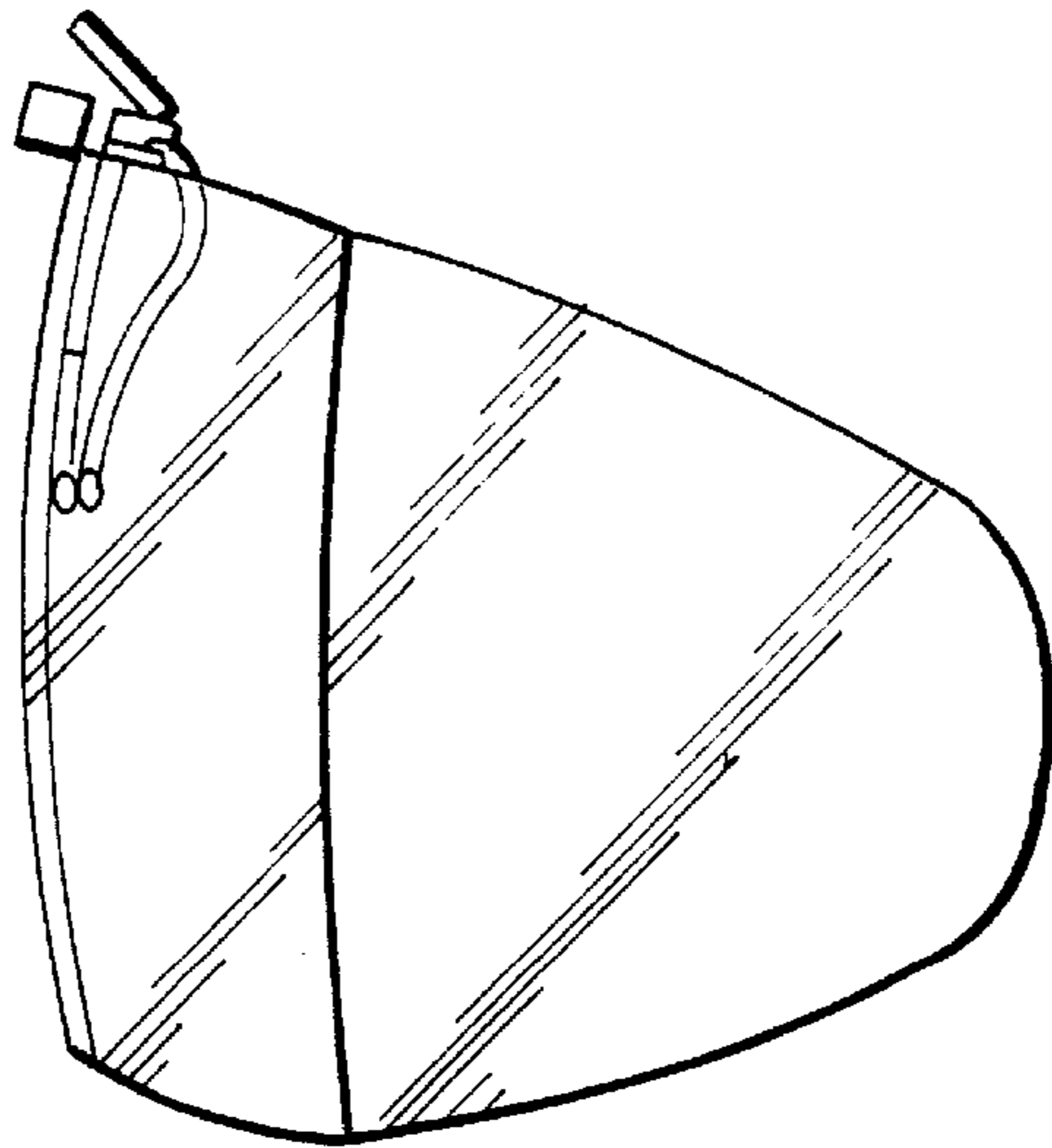
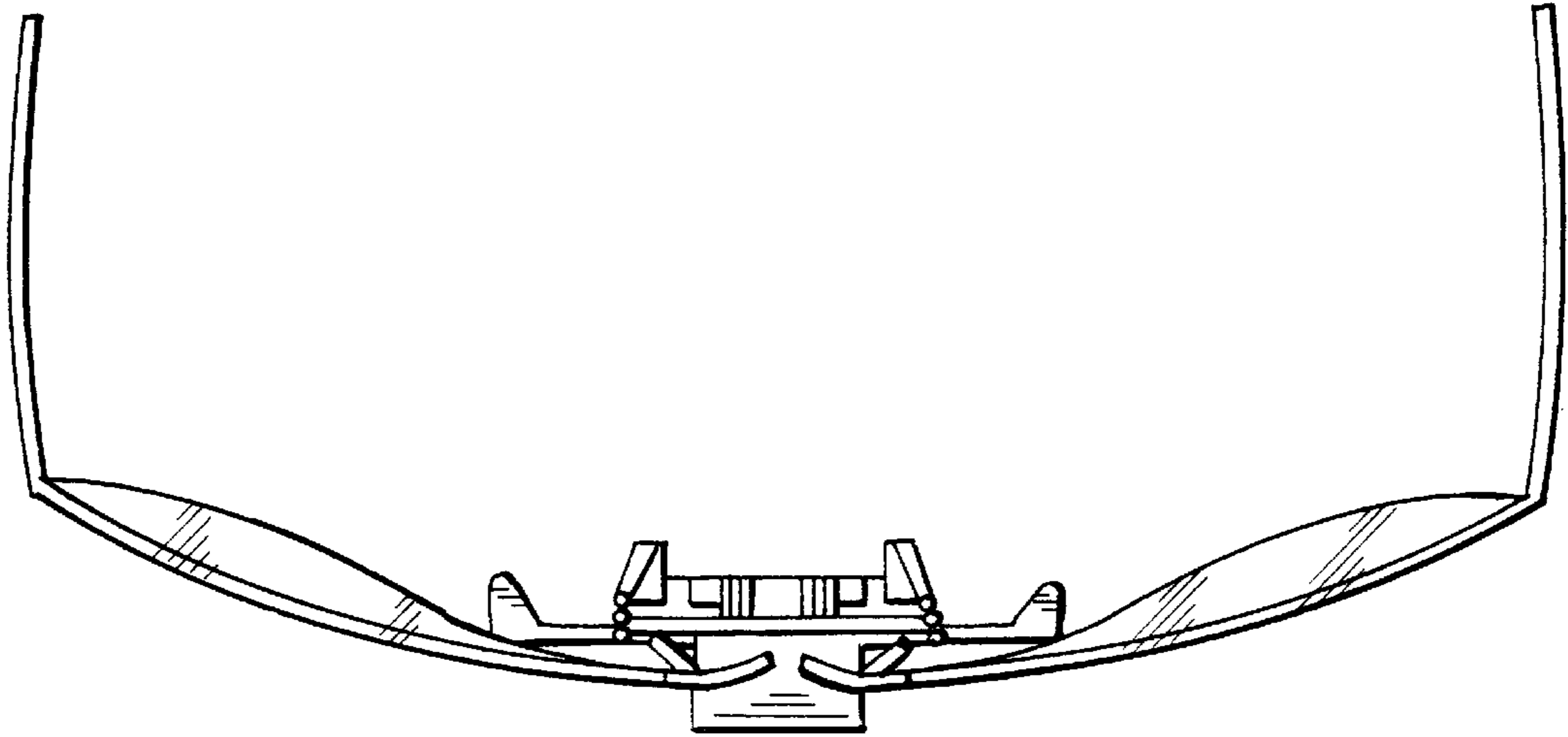


FIG. 2



**FIG. 3**



**FIG. 4**