



US00D411850S

United States Patent [19]

Riecken et al.

[11] Patent Number: **Des. 411,850**

[45] Date of Patent: **** Jul. 6, 1999**

[54] VIDEO CAMERA

5,084,775 1/1992 Kodama et al. 358/906

[75] Inventors: **Hans-Peter Riecken; Herbert Pfeifer**, both of San Francisco; **John J. Feldis, III**, Menlo Park, all of Calif.

Primary Examiner—Adir Aronovich
Attorney, Agent, or Firm—Townsend and Townsend and Crew LLP

[73] Assignee: **Logitech, Inc.**, Fremont, Calif.

[57] CLAIM

[**] Term: **14 Years**

The ornamental design for a video camera, as shown and described.

[21] Appl. No.: **29/092,201**

DESCRIPTION

[22] Filed: **Jul. 17, 1998**

[51] **LOC (6) Cl.** **16-01**

[52] **U.S. Cl.** **D16/202; D16/203**

[58] **Field of Search** D16/200–205, D16/208, 211, 212, 213, 217, 218; 348/373–376, 143; 358/906, 909.1; 396/433, 535–543

FIG. 1 is a perspective view of a video camera showing our new design;
FIG. 2 is a top plan view thereof;
FIG. 3 is a front view thereof;
FIG. 4 is a left view thereof, which is a mirror image of a right view; and,
FIG. 5 is a rear view thereof.

[56] References Cited

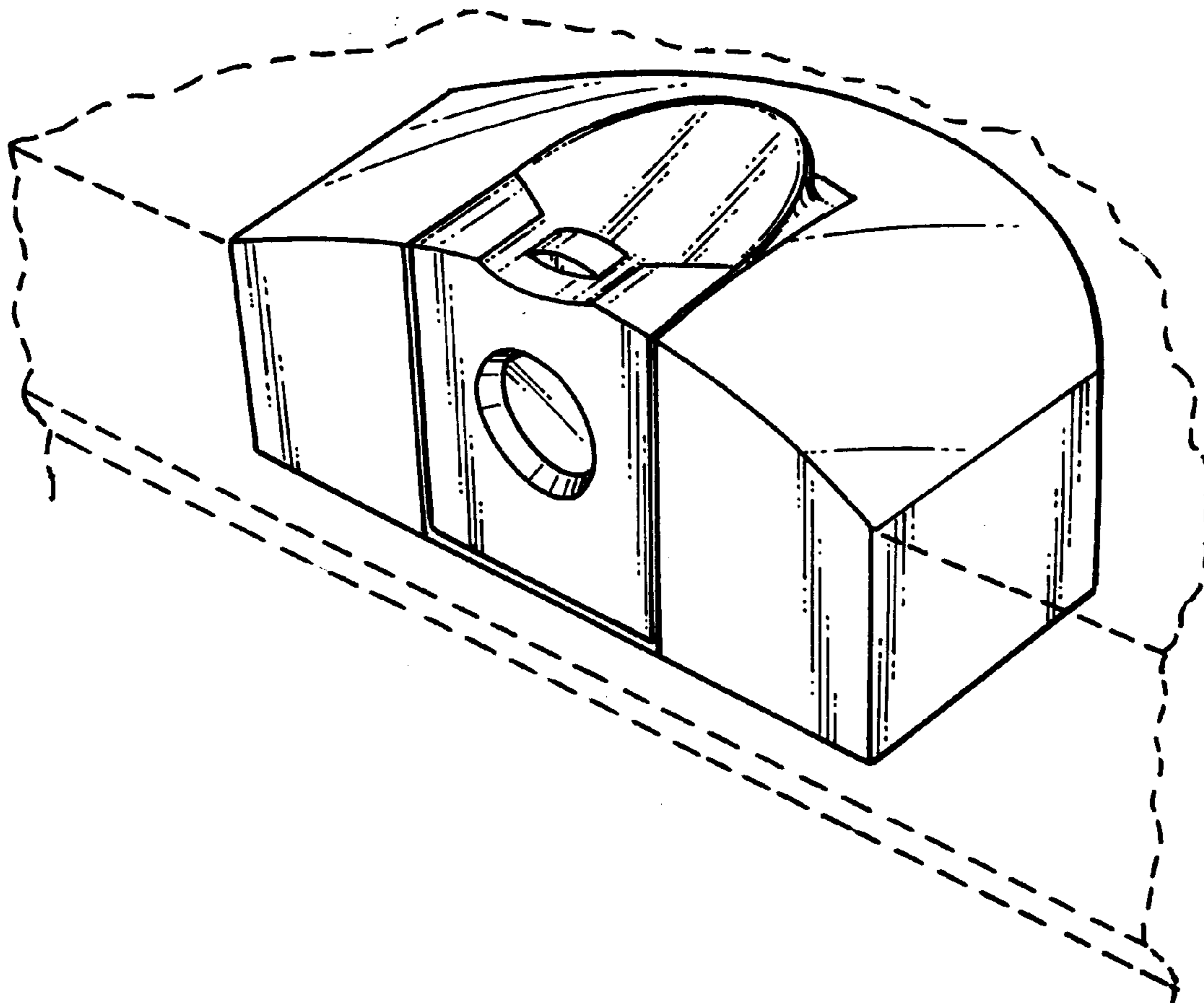
The bottom of the video camera forms no part of the claimed design

U.S. PATENT DOCUMENTS

The broken line showing of an environmental structure in FIG. 1 is for illustrative purposes only and forms no part of the claimed design.

D. 241,656	9/1976	Genaro et al.	D14/130
D. 363,502	10/1995	MacMurtrie et al.	D16/202
D. 363,730	10/1995	Flohr et al.	D16/202
D. 402,676	12/1998	Mascarenas, Sr. et al.	D16/202

1 Claim, 1 Drawing Sheet



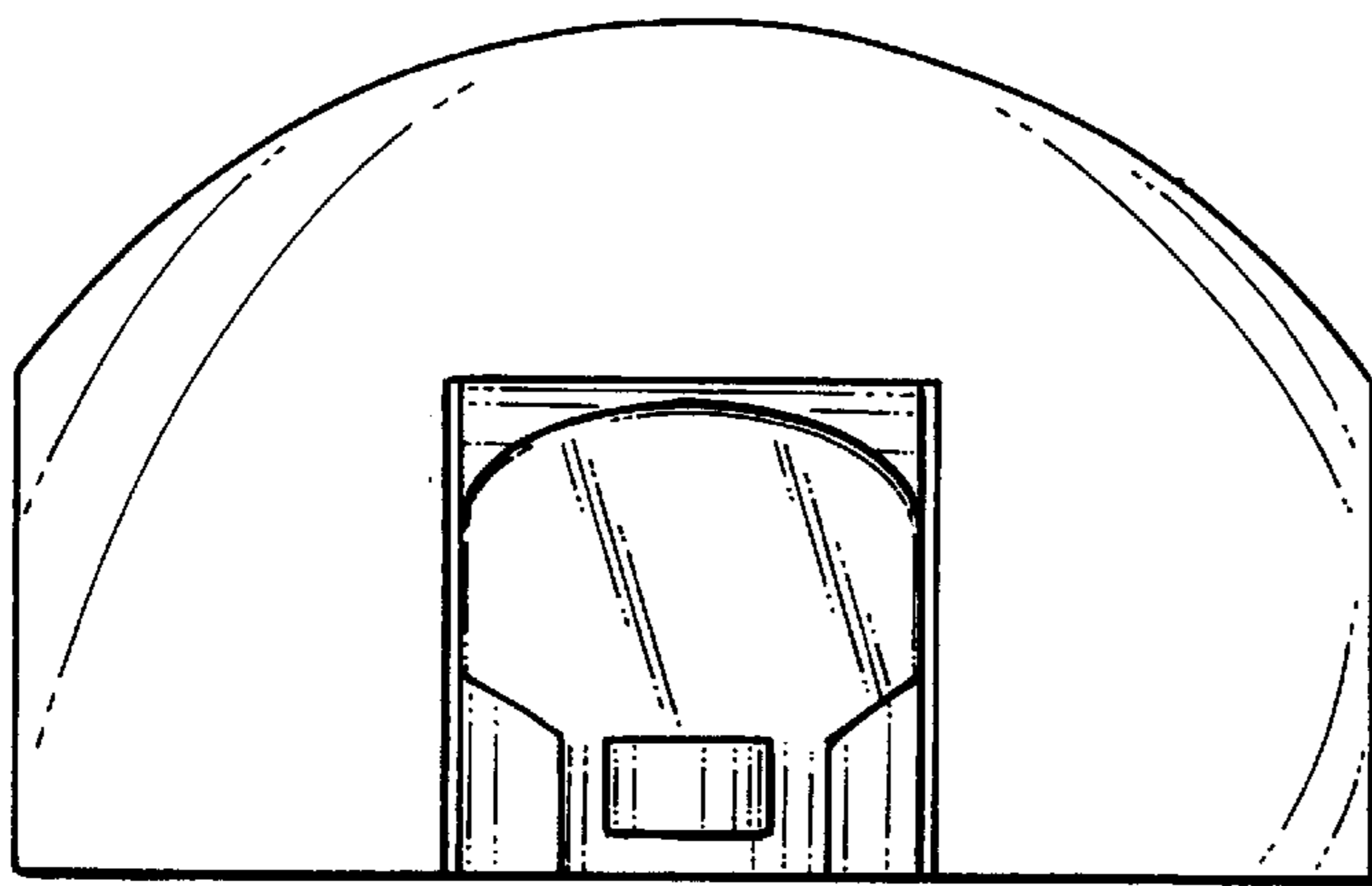
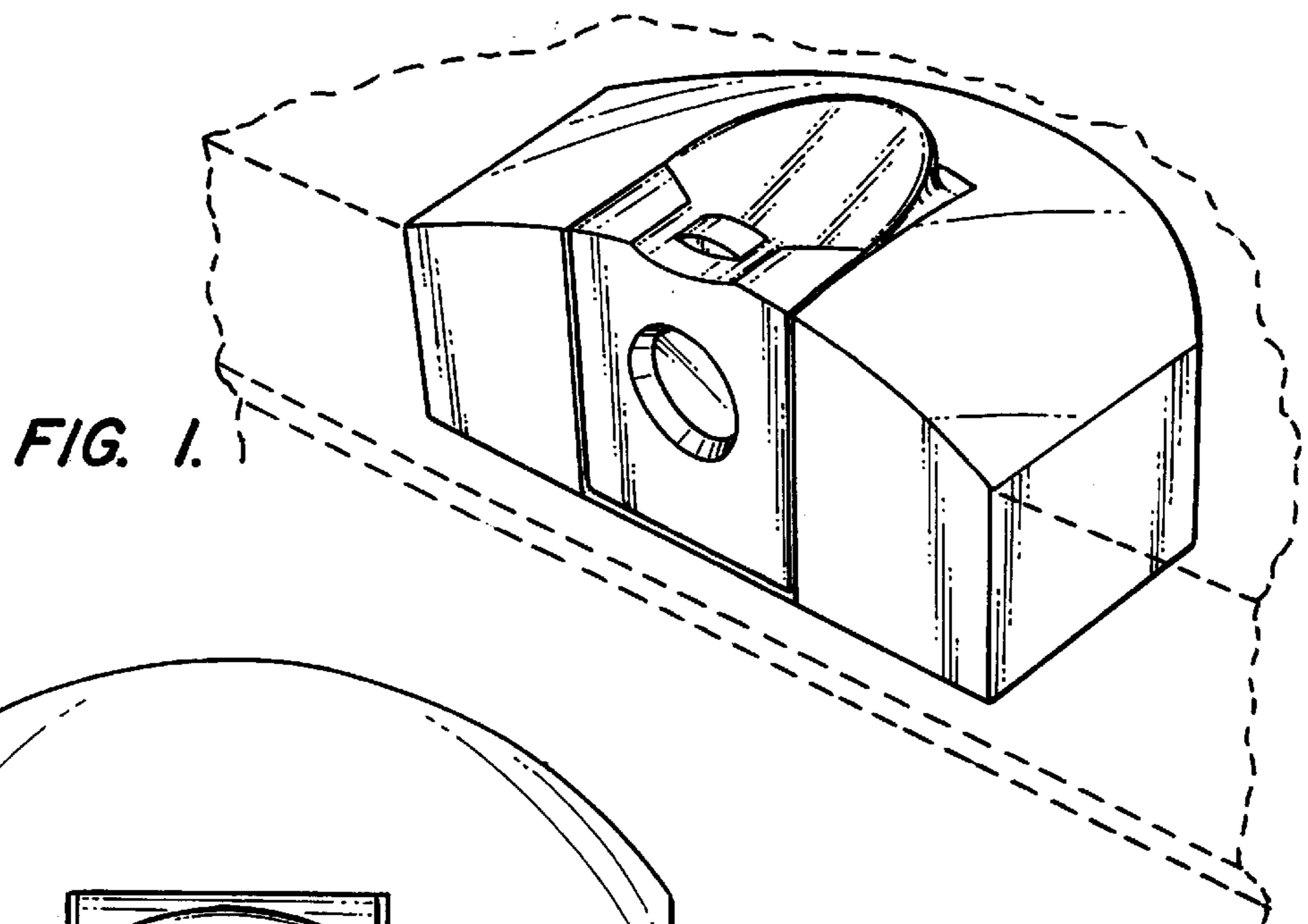


FIG. 2.

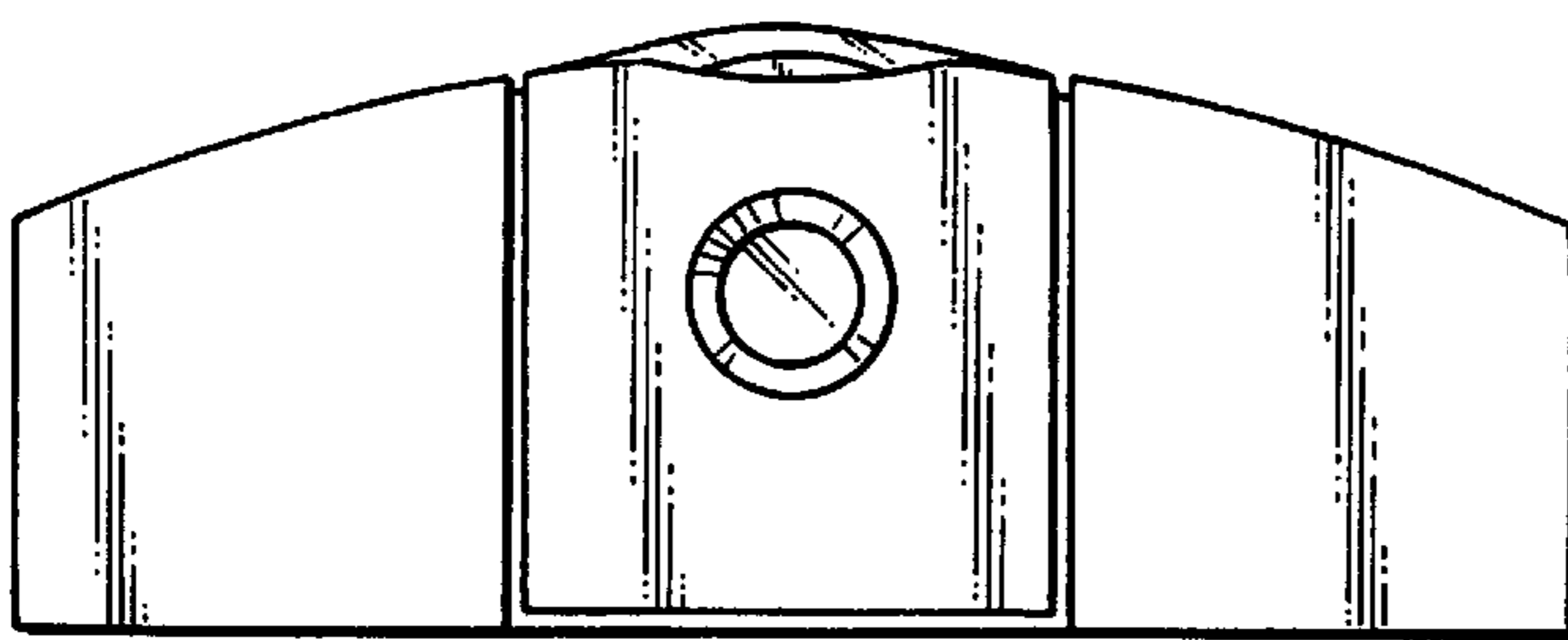


FIG. 3.

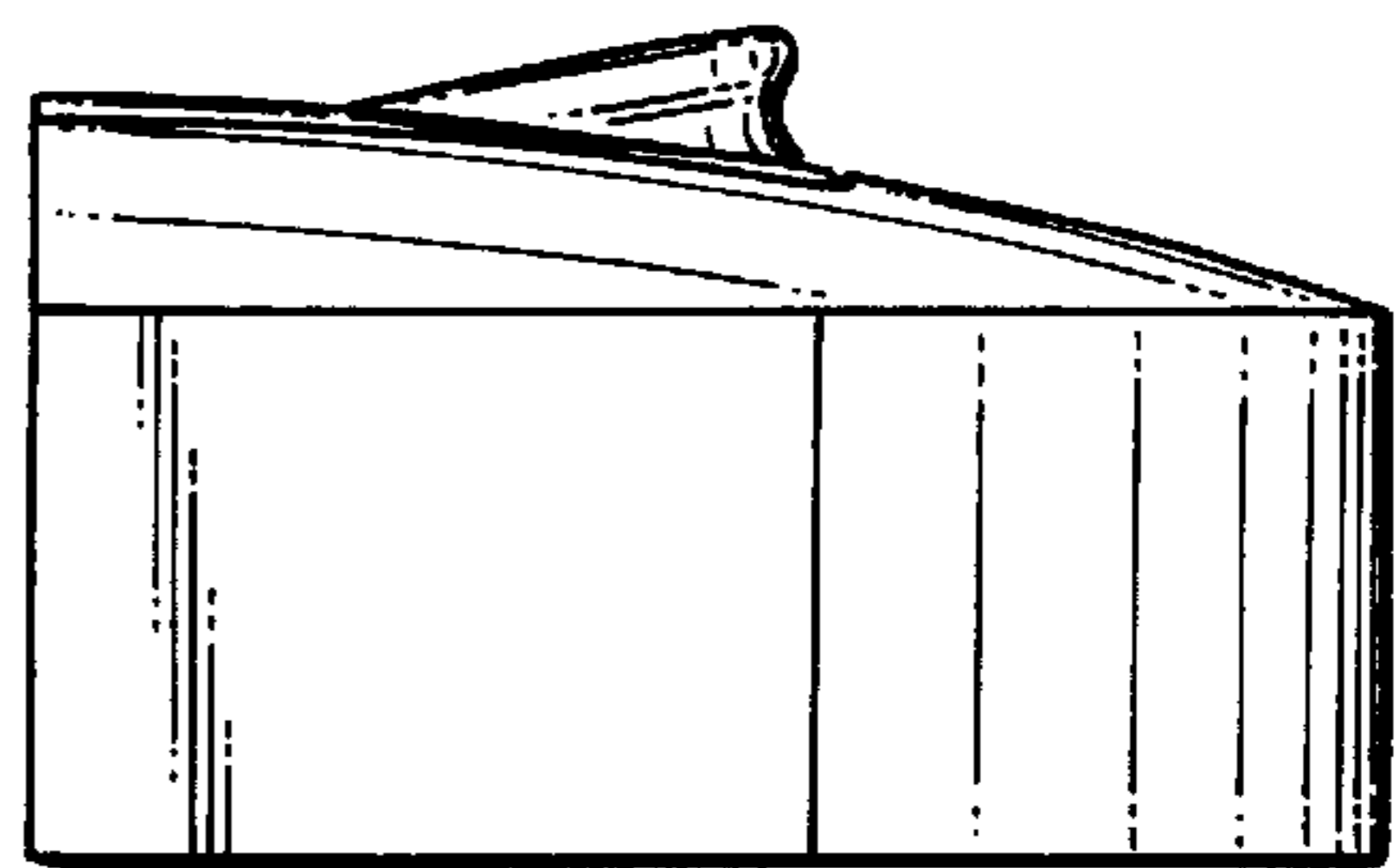


FIG. 4.

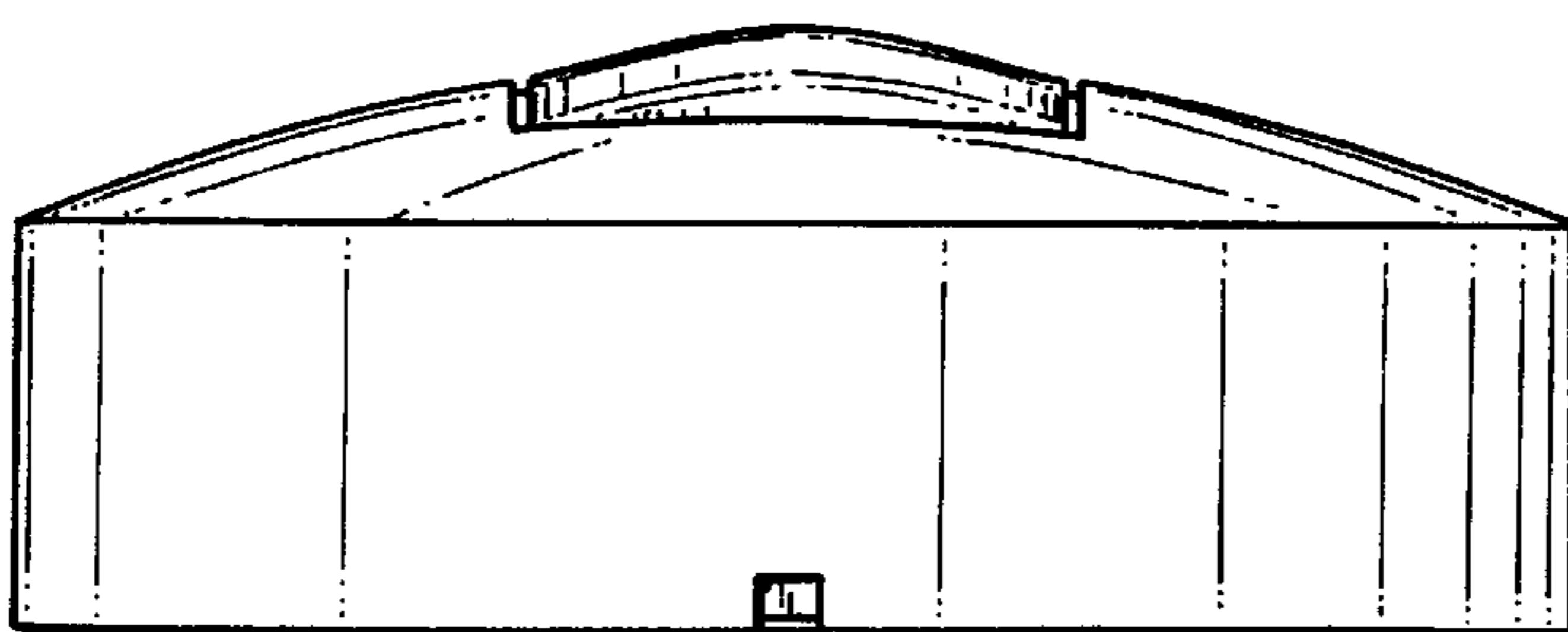


FIG. 5.