



US00D411849S

United States Patent [19]

Sekine

[11] Patent Number: **Des. 411,849**

[45] Date of Patent: **** Jul. 6, 1999**

[54] **VIDEO CAMERA WITH VIDEO TAPE RECORDER**

[75] Inventor: **Naofumi Sekine**, Kawasaki, Japan

[73] Assignee: **Canon Kabushiki Kaisha**, Tokyo, Japan

[**] Term: **14 Years**

[21] Appl. No.: **29/091,276**

[22] Filed: **Jul. 27, 1998**

[30] **Foreign Application Priority Data**

Jan. 30, 1998 [JP] Japan 10-002422

[51] **LOC (6) Cl.** **16-01**

[52] **U.S. Cl.** **D16/202**

[58] **Field of Search** D16/200-208; 348/373-376; 352/242, 243; 358/906, 909.1

[56] **References Cited**

U.S. PATENT DOCUMENTS

- D. 340,802 11/1993 Sekine D3/33
- D. 361,582 8/1995 Sekine D16/202
- D. 368,922 4/1996 Tanaka D16/202

- D. 374,241 10/1996 Sekine D16/202
- D. 386,508 11/1997 Ohwada D16/202
- D. 386,771 11/1997 Sekine D16/202
- D. 388,106 12/1997 Tanaka D16/202
- D. 391,279 2/1998 Ohwada D16/202
- D. 391,589 3/1998 Ohwada D16/202
- D. 396,870 8/1998 Ohwada D16/202
- 5,444,507 8/1995 Palmer 396/544

Primary Examiner—Adir Aronovich
Attorney, Agent, or Firm—Fitzpatrick, Cella, Harper & Scinto

[57] **CLAIM**

The ornamental design for a video camera with video tape recorder, as shown and described.

DESCRIPTION

FIG. 1 is a front view of a video camera with video tape recorder showing my new design; FIG. 2 is a rear view thereof; FIG. 3 is a top plan view thereof; FIG. 4 is a bottom plan view thereof; FIG. 5 is a left side view thereof; FIG. 6 is a right side view thereof; and, FIG. 7 is a perspective view thereof.

1 Claim, 4 Drawing Sheets

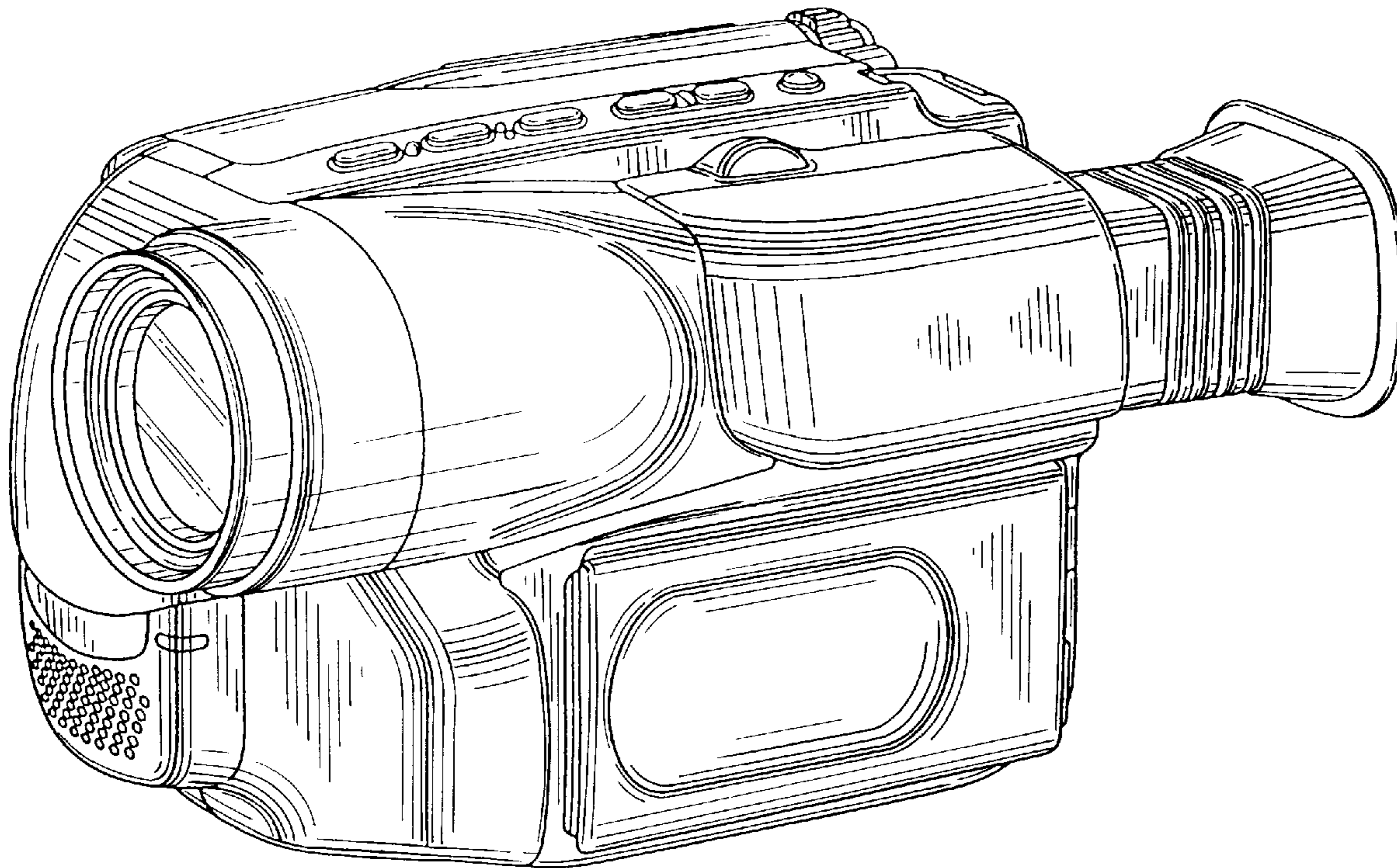


FIG. 1

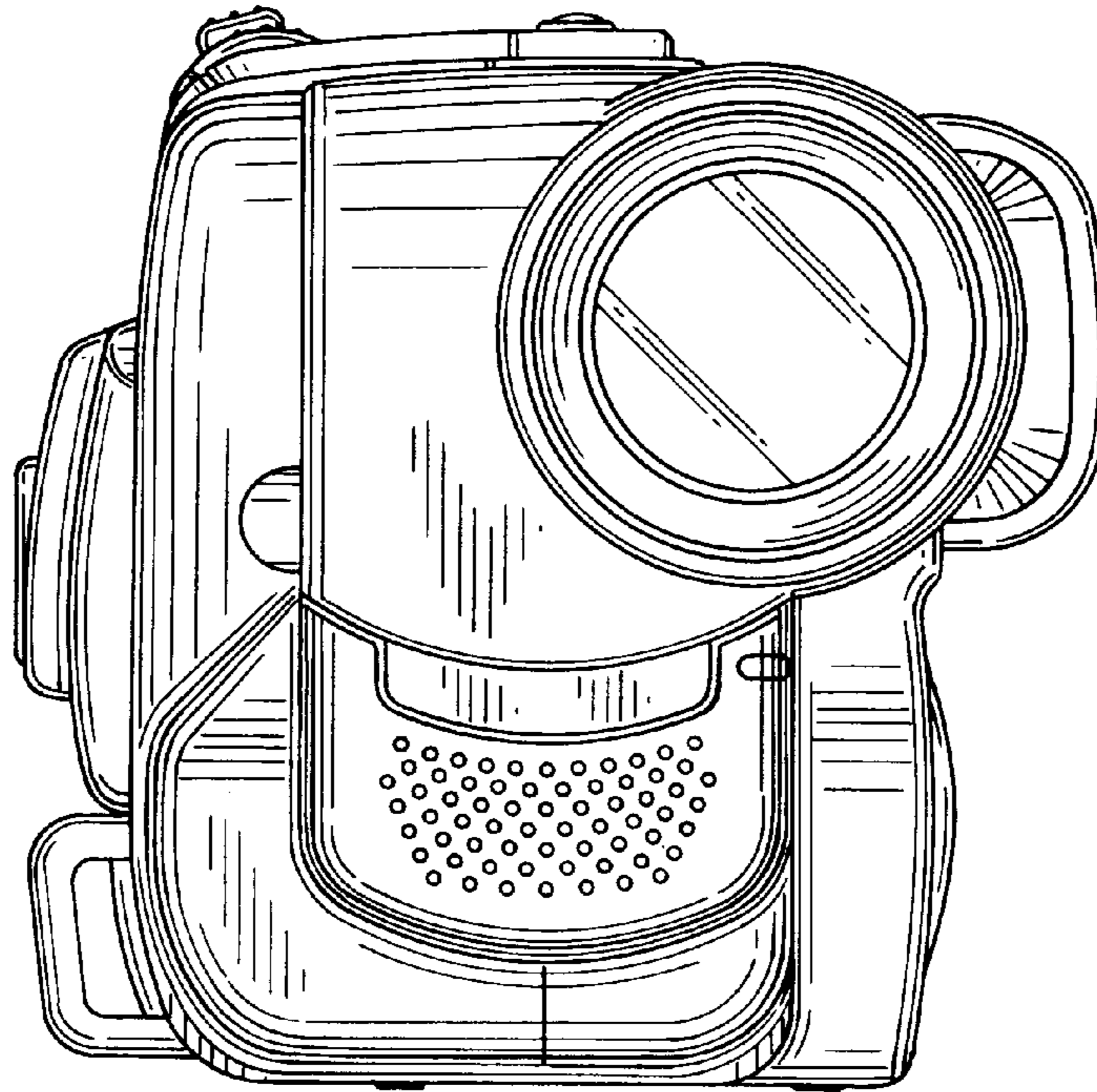


FIG. 2

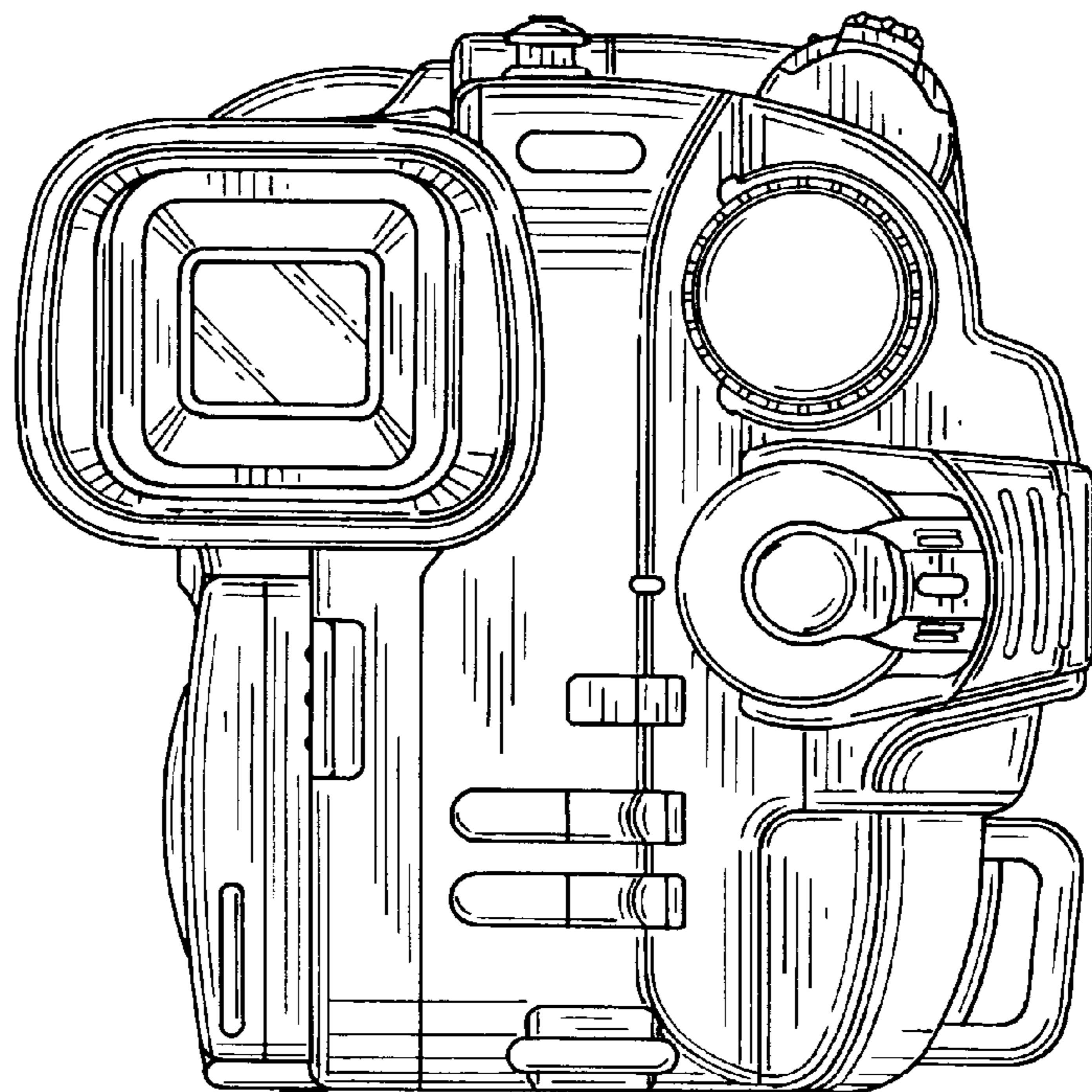


FIG. 3

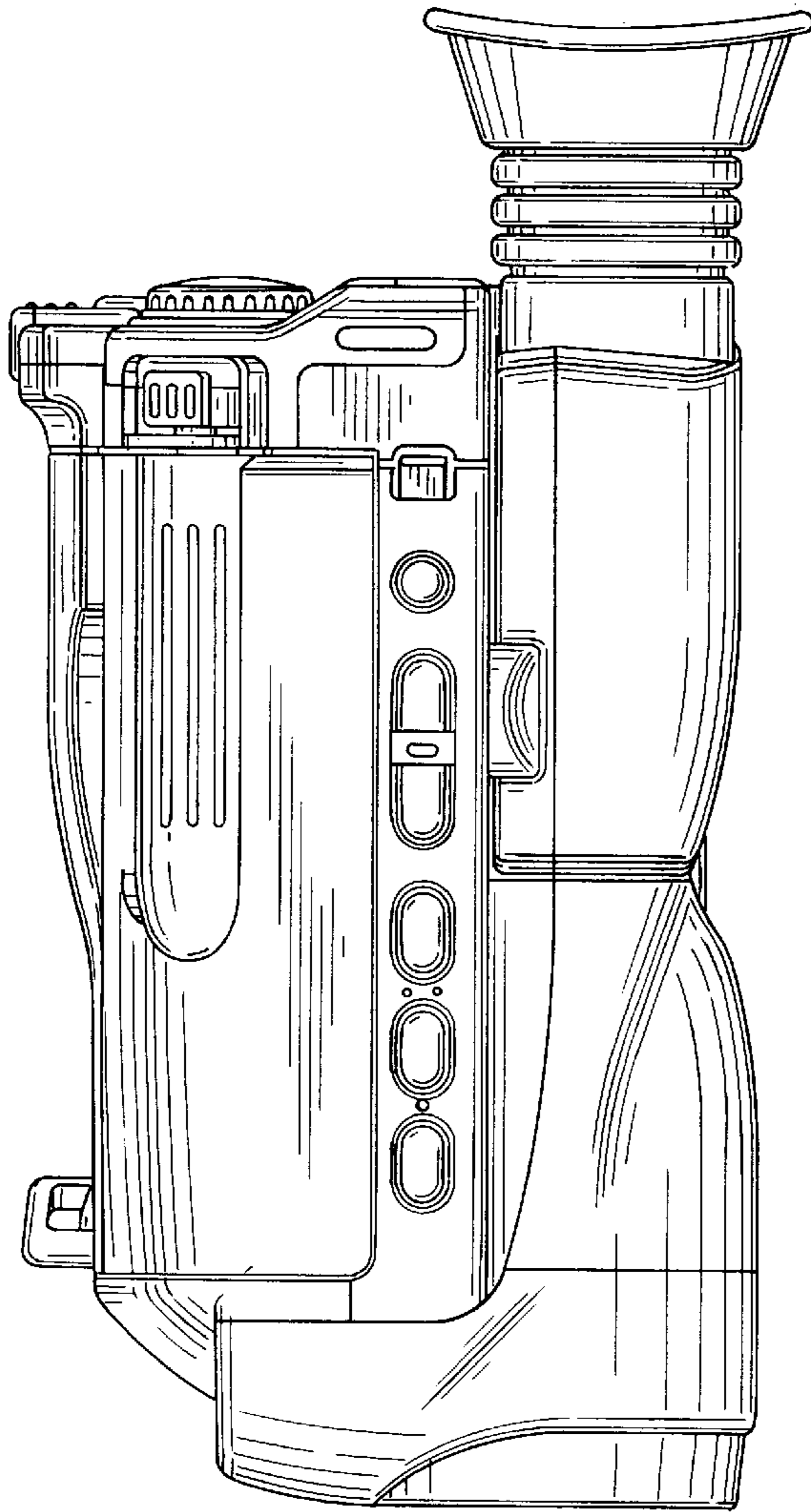


FIG. 4

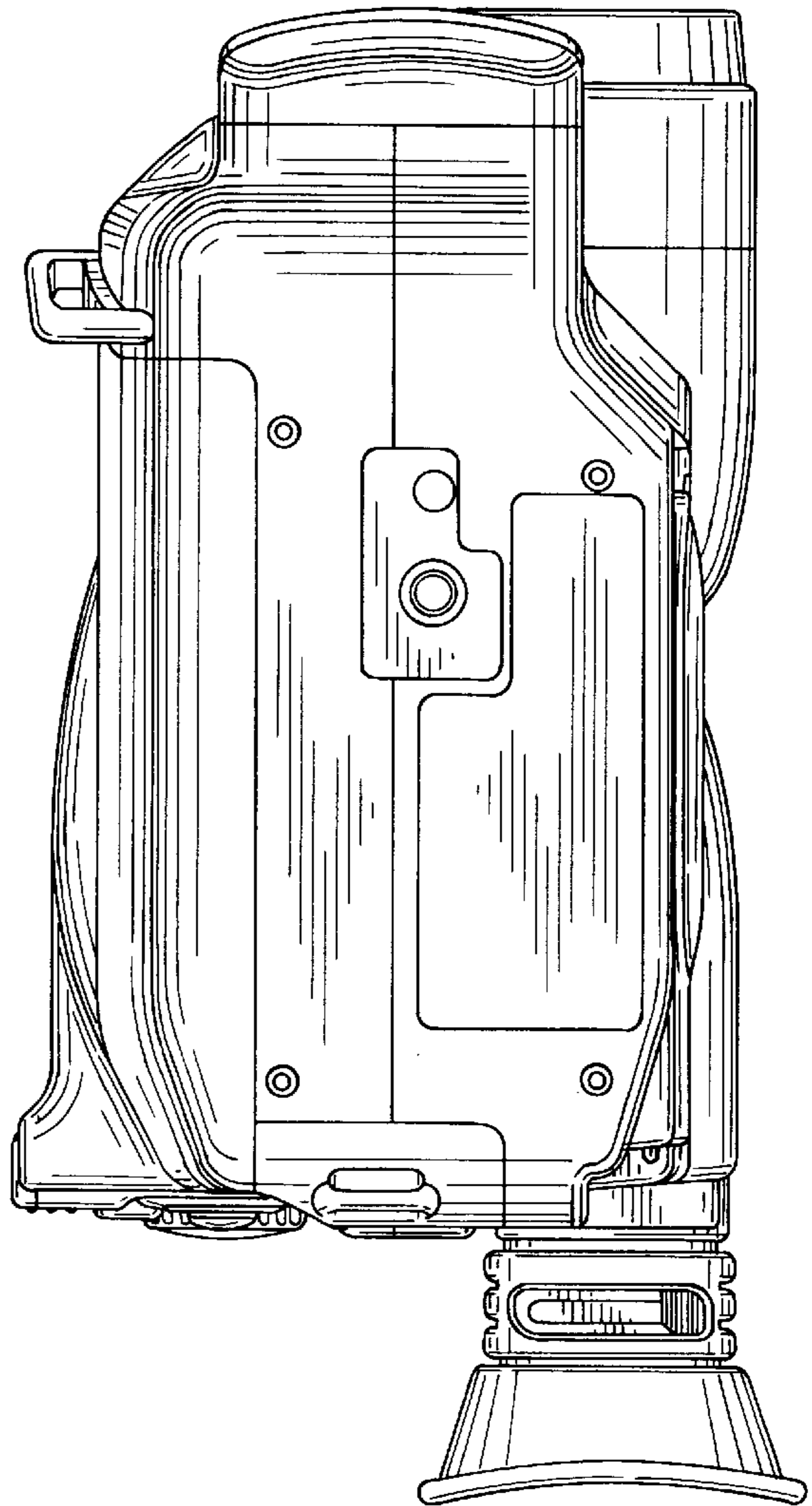


FIG. 5

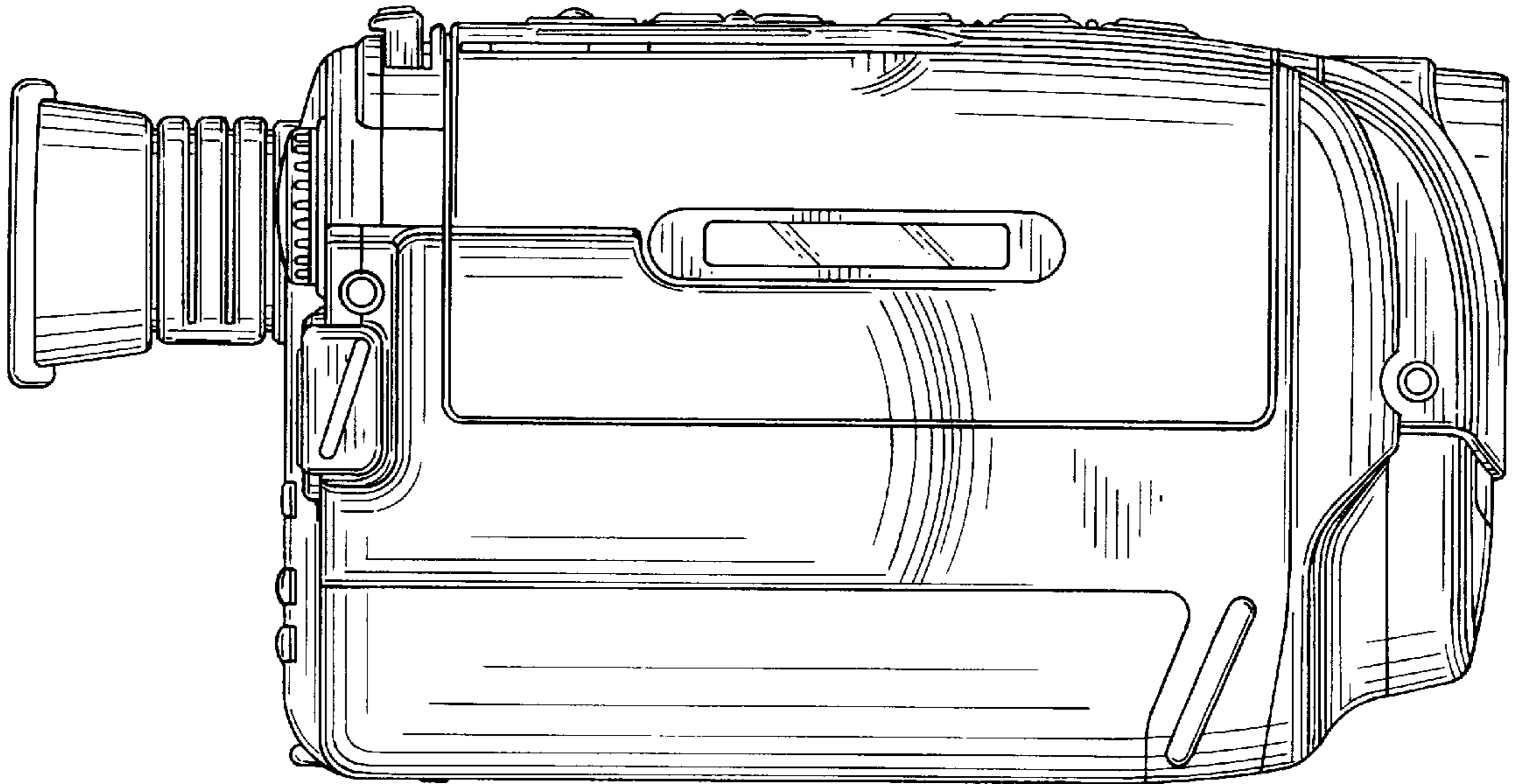


FIG. 6

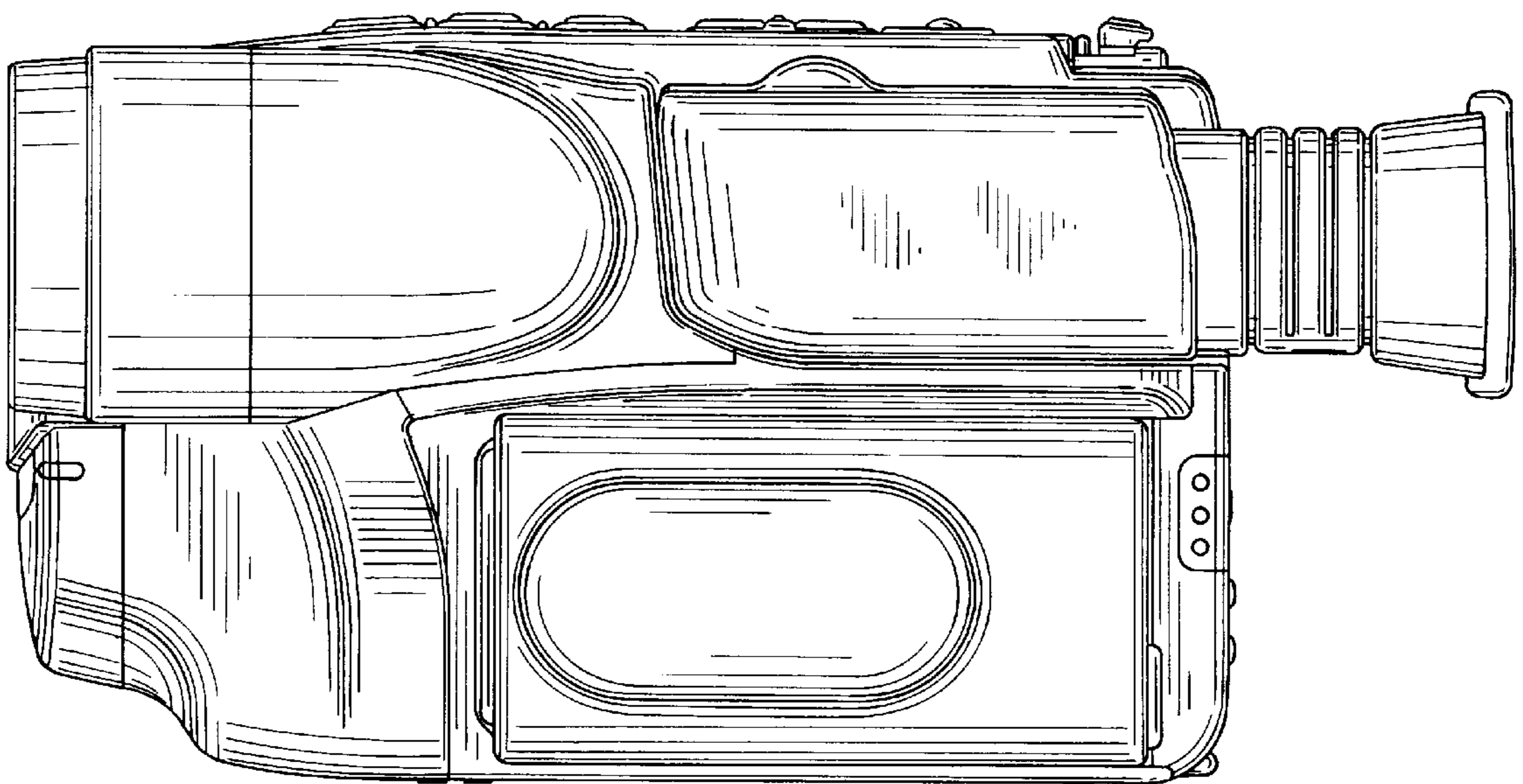


FIG. 7

