



US00D411848S

United States Patent [19]

Maruska et al.

[11] **Patent Number: Des. 411,848**

[45] **Date of Patent: ** Jul. 6, 1999**

[54] **ELECTRONIC CAMERA**

[75] Inventors: **Joshua Maruska**, Indianapolis, Ind.;
Laura R. Whitby, Rochester, N.Y.

[73] Assignee: **Eastman Kodak Company**, Rochester, N.Y.

[**] Term: **14 Years**

[21] Appl. No.: **29/086,207**

[22] Filed: **Apr. 8, 1998**

[51] **LOC (6) Cl.** **16-01**

[52] **U.S. Cl.** **D16/202; D16/213**

[58] **Field of Search** **D16/200-205,**
D16/208-213, 216-218; 348/373-376;
358/906, 909.1; 396/535-543

[56] **References Cited**

U.S. PATENT DOCUMENTS

D. 316,866 5/1991 Tejima et al. D16/202

D. 335,499 5/1993 Koinuma D16/202
D. 359,974 7/1995 van de Loo D16/202
D. 380,001 6/1997 van de Loo D16/202
5,231,511 7/1993 Kodama et al. 358/909.1

Primary Examiner—Adir Aronovich
Attorney, Agent, or Firm—David M. Woods

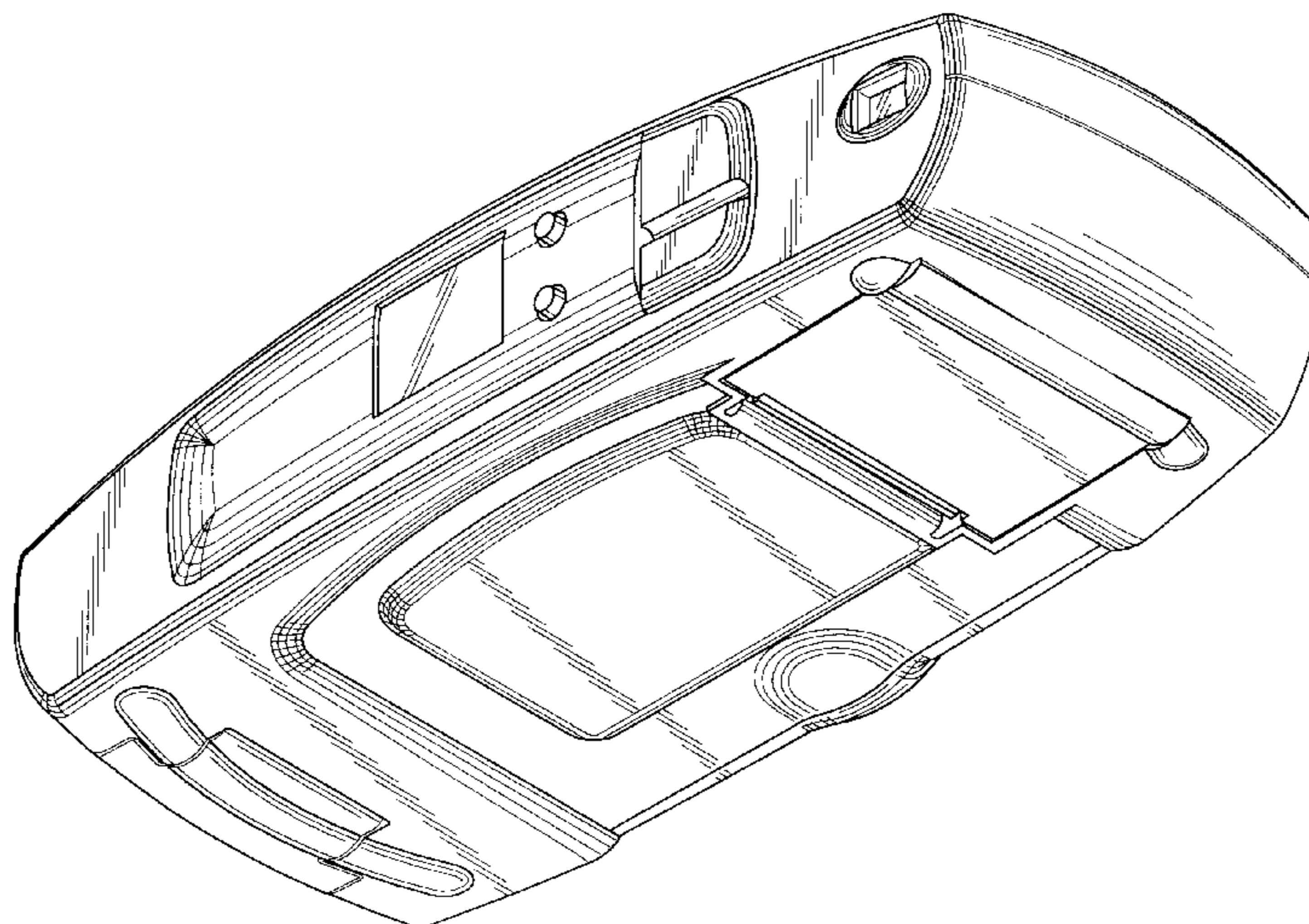
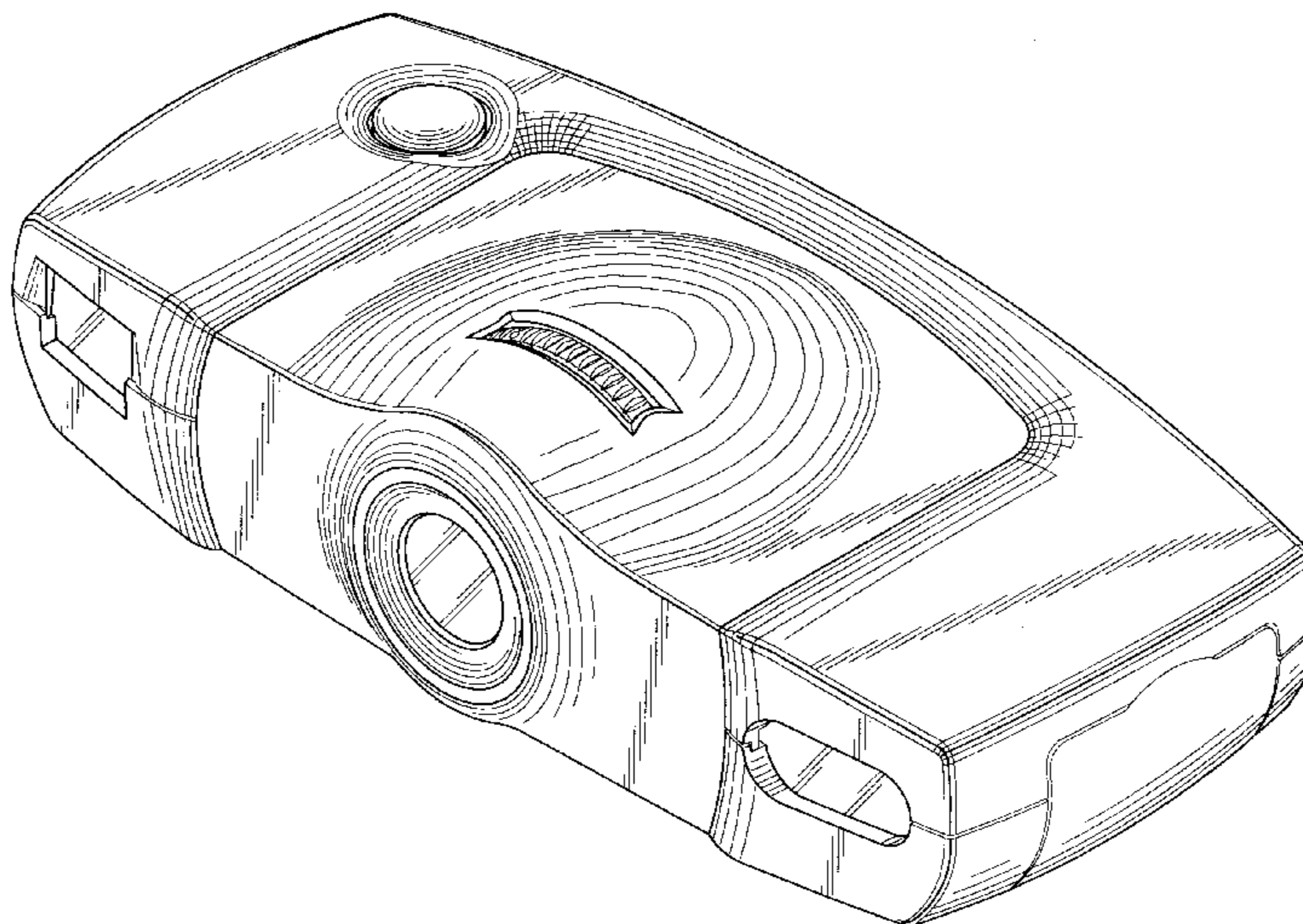
[57] **CLAIM**

The ornamental design for an electronic camera, as shown.

DESCRIPTION

FIG. 1 is a front, top, right-side perspective view of an electronic camera, showing our new design; FIG. 2 is a rear, bottom, left-side perspective view thereof; FIG. 3 is a front elevation view thereof; FIG. 4 is a rear elevation view thereof; FIG. 5 is a top plan view thereof; FIG. 6 is a bottom plan view thereof; FIG. 7 is a right-side elevation view thereof; and, FIG. 8 is a left-side elevation view thereof.

1 Claim, 8 Drawing Sheets



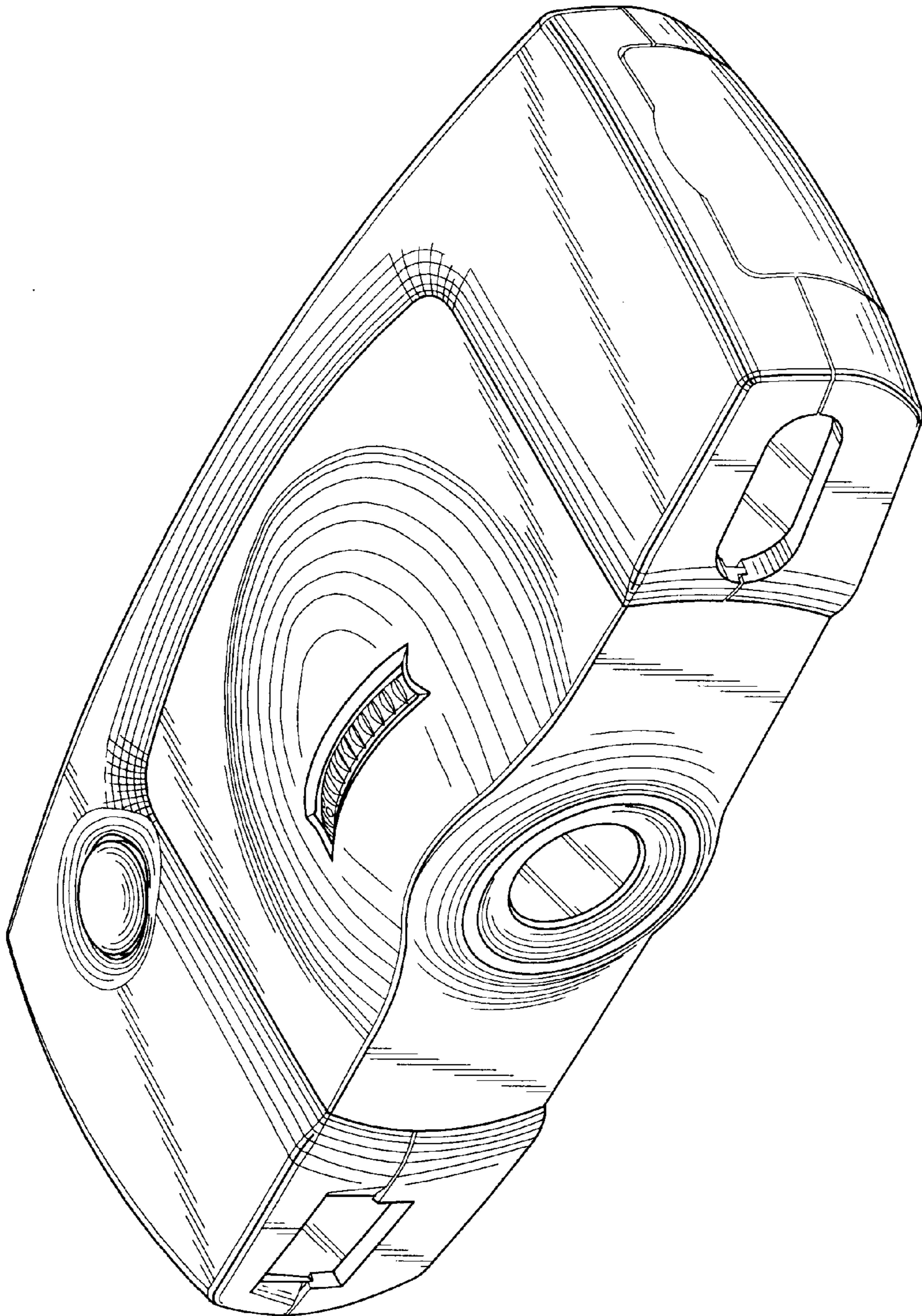


FIG. 1

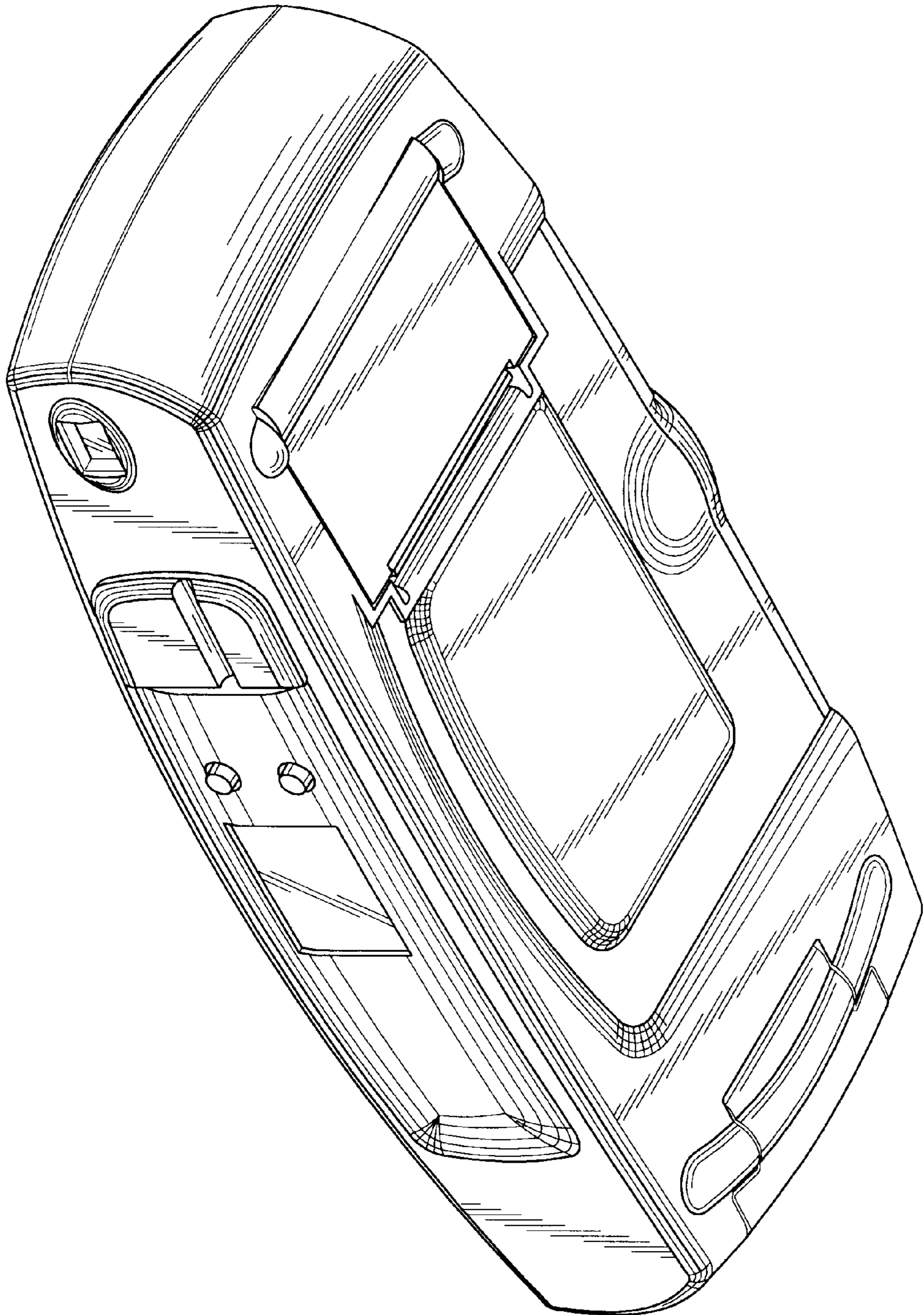


FIG. 2

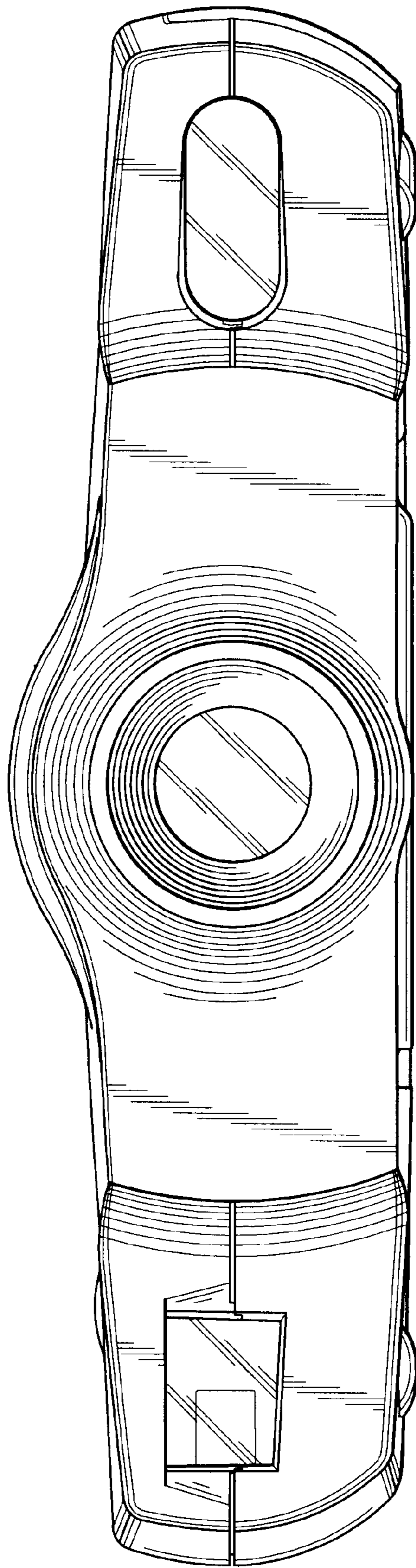


FIG. 3

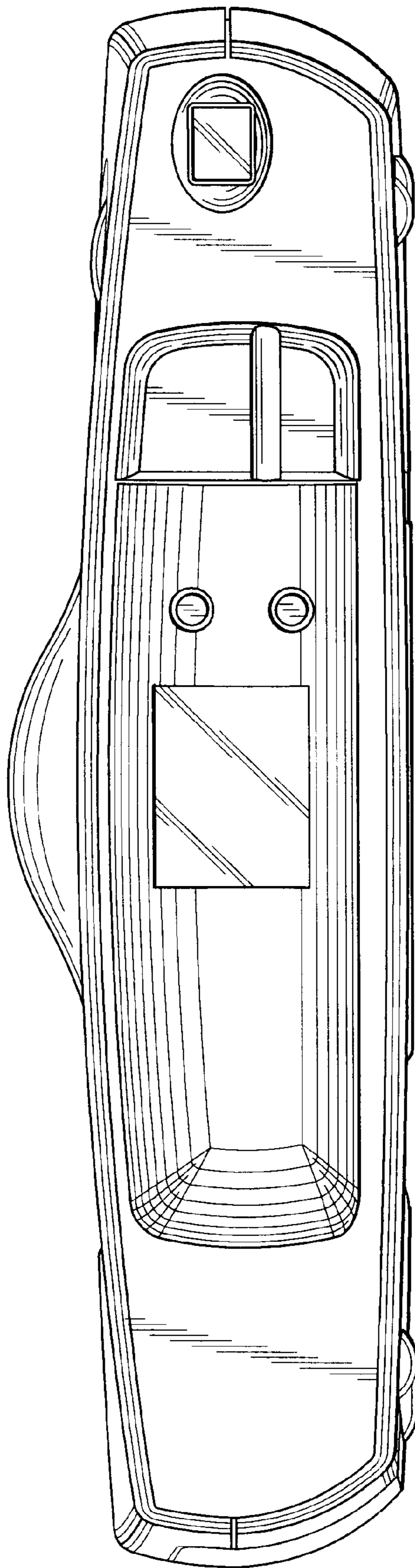


FIG. 4

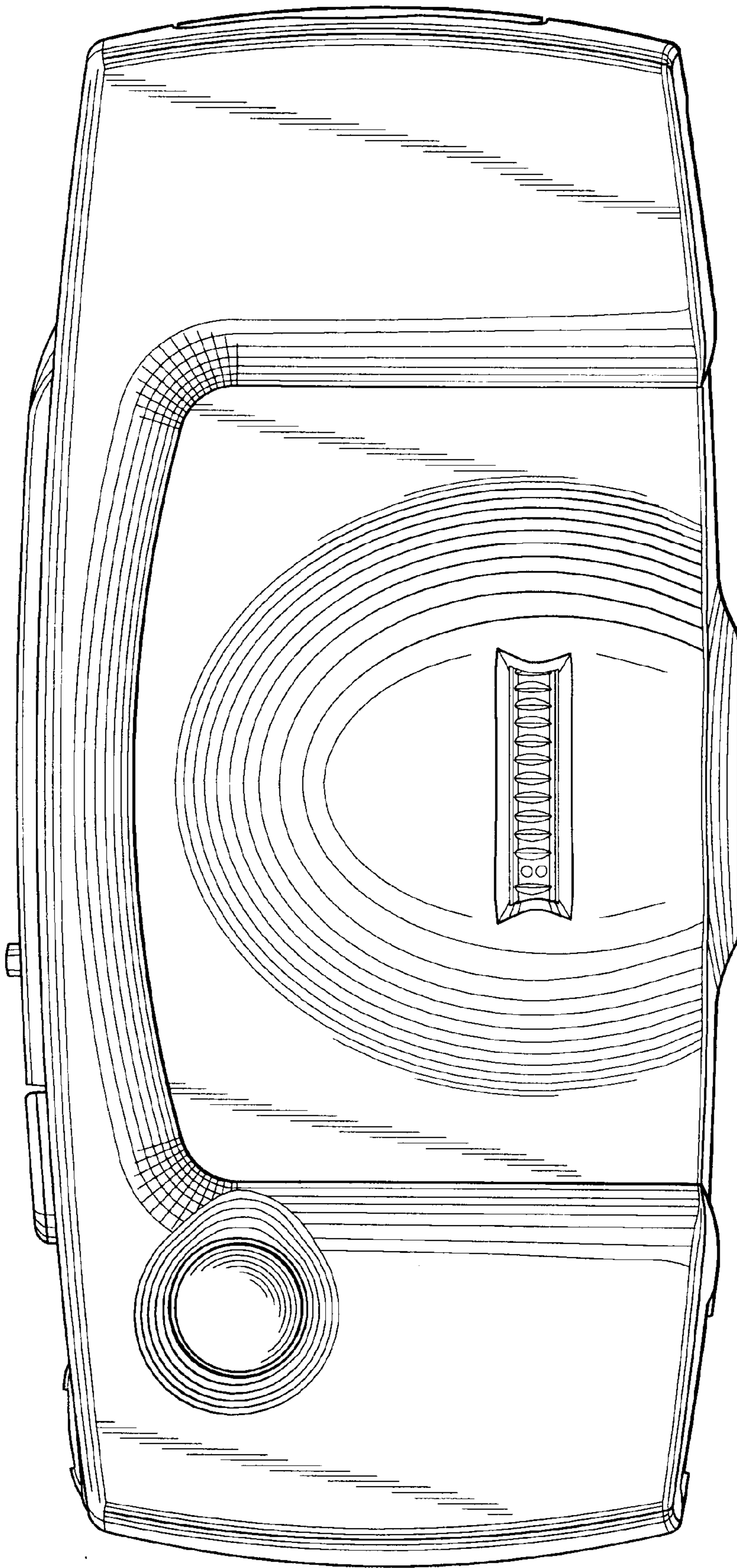


FIG. 5

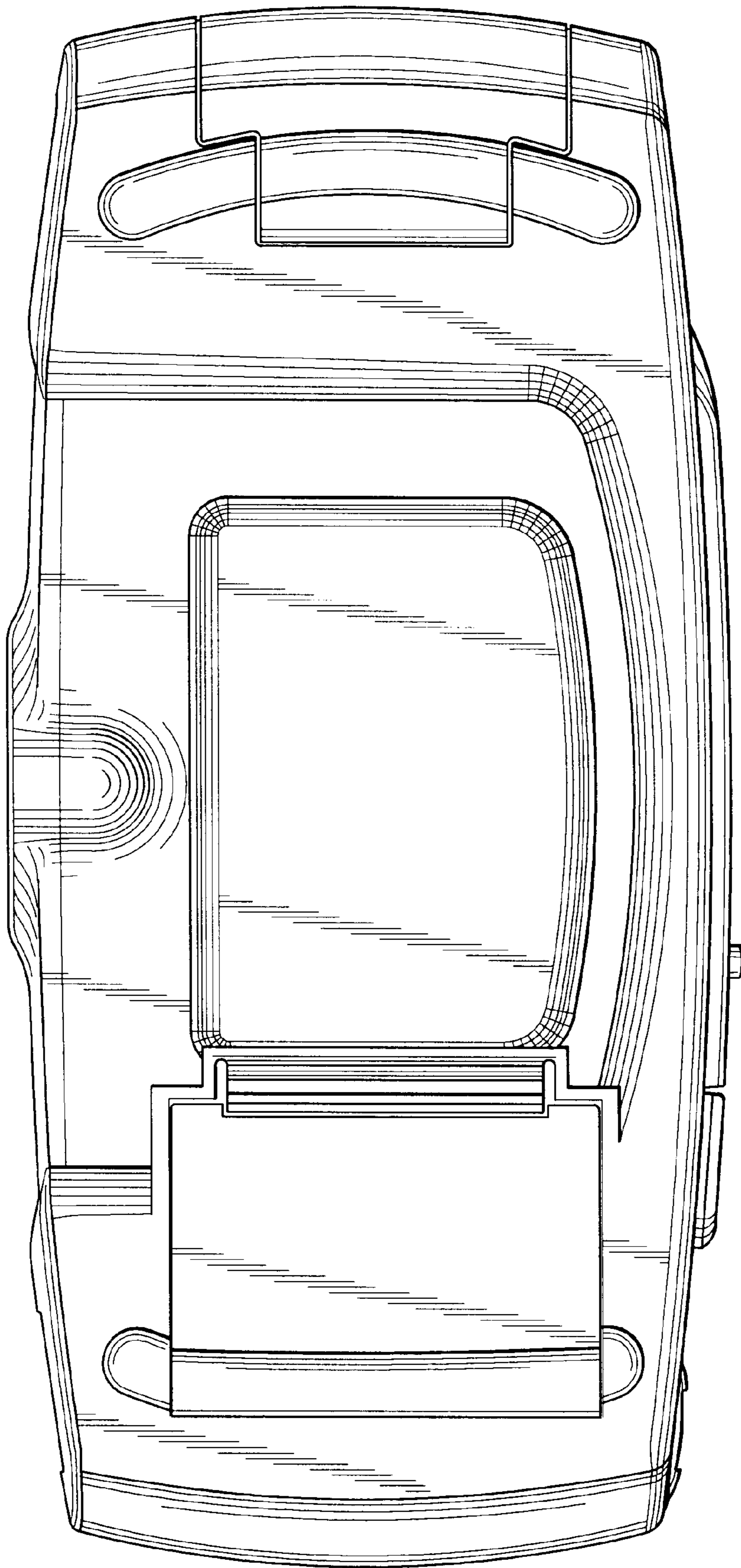


FIG. 6

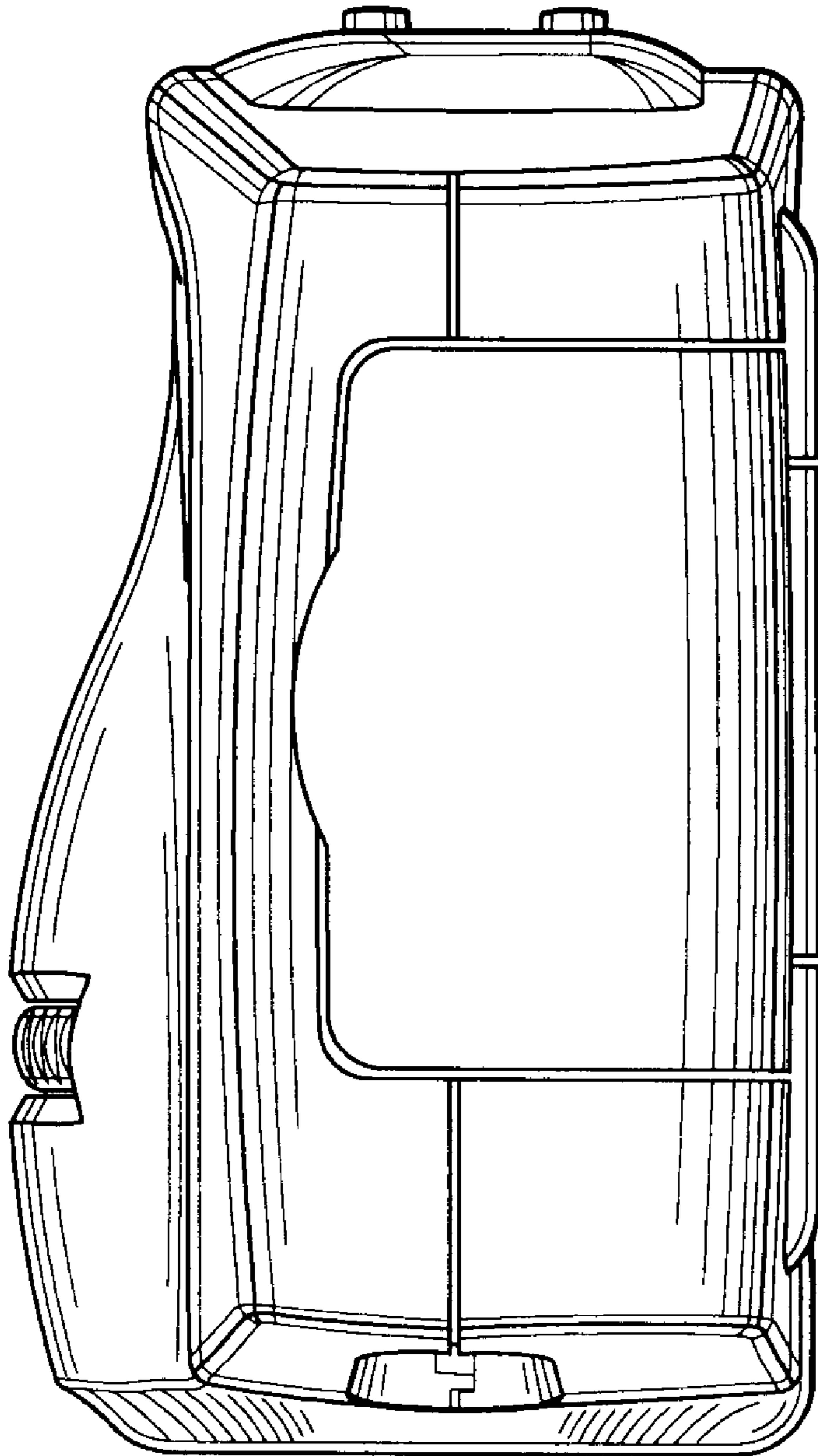


FIG. 7

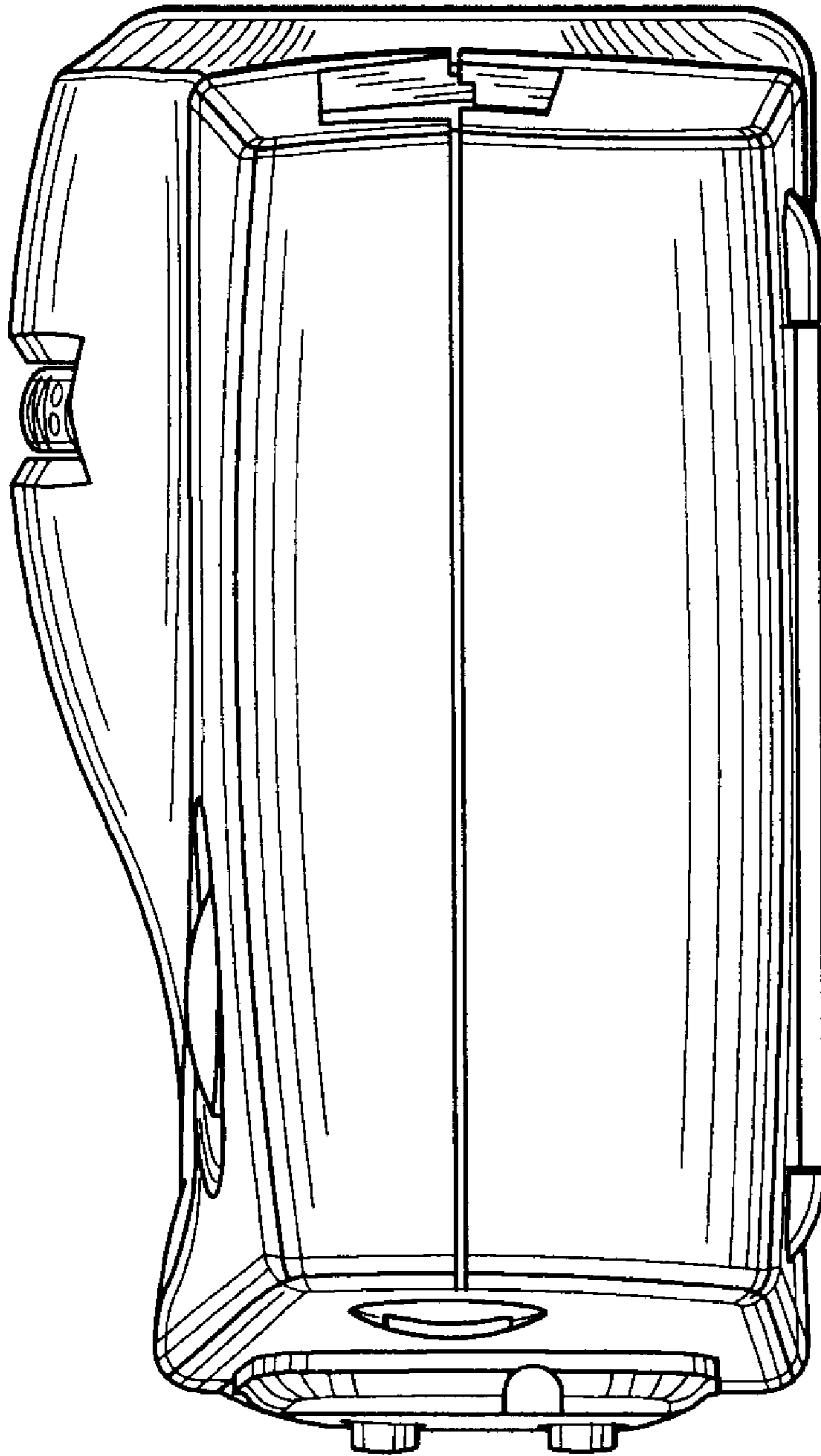


FIG. 8