



US00D411847S

United States Patent [19]
Miyashita

[11] **Patent Number: Des. 411,847**
[45] **Date of Patent: ** Jul. 6, 1999**

[54] **CAMERA WITH A DISPLAY**
[75] Inventor: **Shin Miyashita**, Tokyo, Japan
[73] Assignee: **Sony Corporation**, Tokyo, Japan
[**] Term: **14 Years**
[21] Appl. No.: **29/071,785**
[22] Filed: **Jun. 6, 1997**
[51] **LOC (6) Cl.** **16-01**
[52] **U.S. Cl.** **D16/202**
[58] **Field of Search** D16/200-208,
D16/216-218; 348/373-376; 358/906, 909.1;
396/535-543

4,873,576 10/1989 Hattori et al. 348/373

OTHER PUBLICATIONS

Sony, "Cyber-shot/Digital Still Camera", Oct. 1996.

Primary Examiner—Adir Aronovich
Attorney, Agent, or Firm—Foley & Lardner

[57] **CLAIM**

The ornamental design for a camera with a display, as shown and described.

DESCRIPTION

FIG. 1 is a perspective view of a camera with a display showing my new design;
FIG. 2 is a top plan view thereof;
FIG. 3 is a left side elevational view thereof;
FIG. 4 is a front elevational view thereof;
FIG. 5 is a bottom plan view thereof;
FIG. 6 is a right side elevational view thereof; and,
FIG. 7 is a rear elevational view thereof.

[56] **References Cited**
U.S. PATENT DOCUMENTS
D. 371,377 7/1996 Miyahara D16/202
D. 384,088 9/1997 Isozaki et al. D16/202
D. 387,078 12/1997 Akita D16/202
D. 392,659 3/1998 Takano D16/202

1 Claim, 3 Drawing Sheets

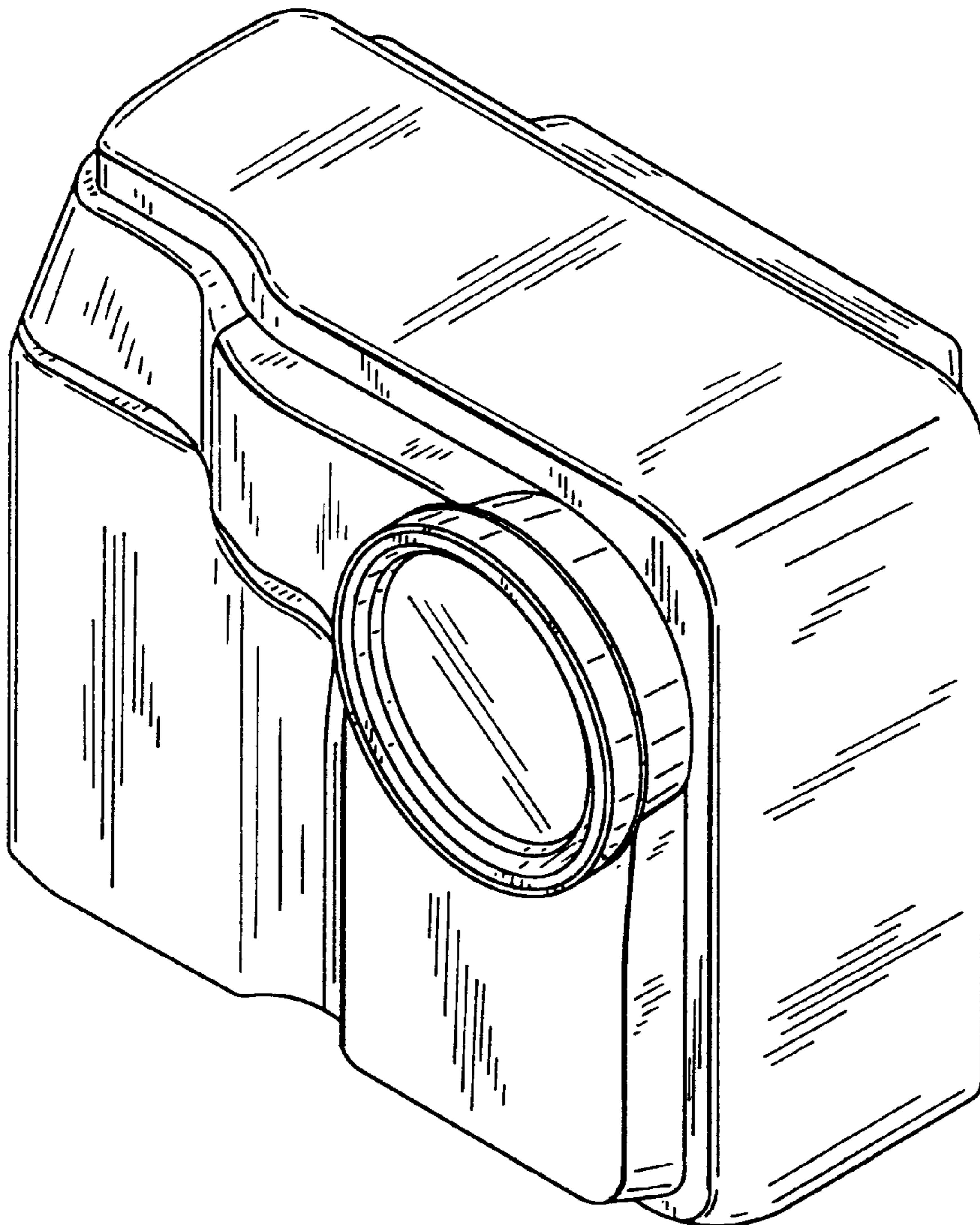


FIG. 1

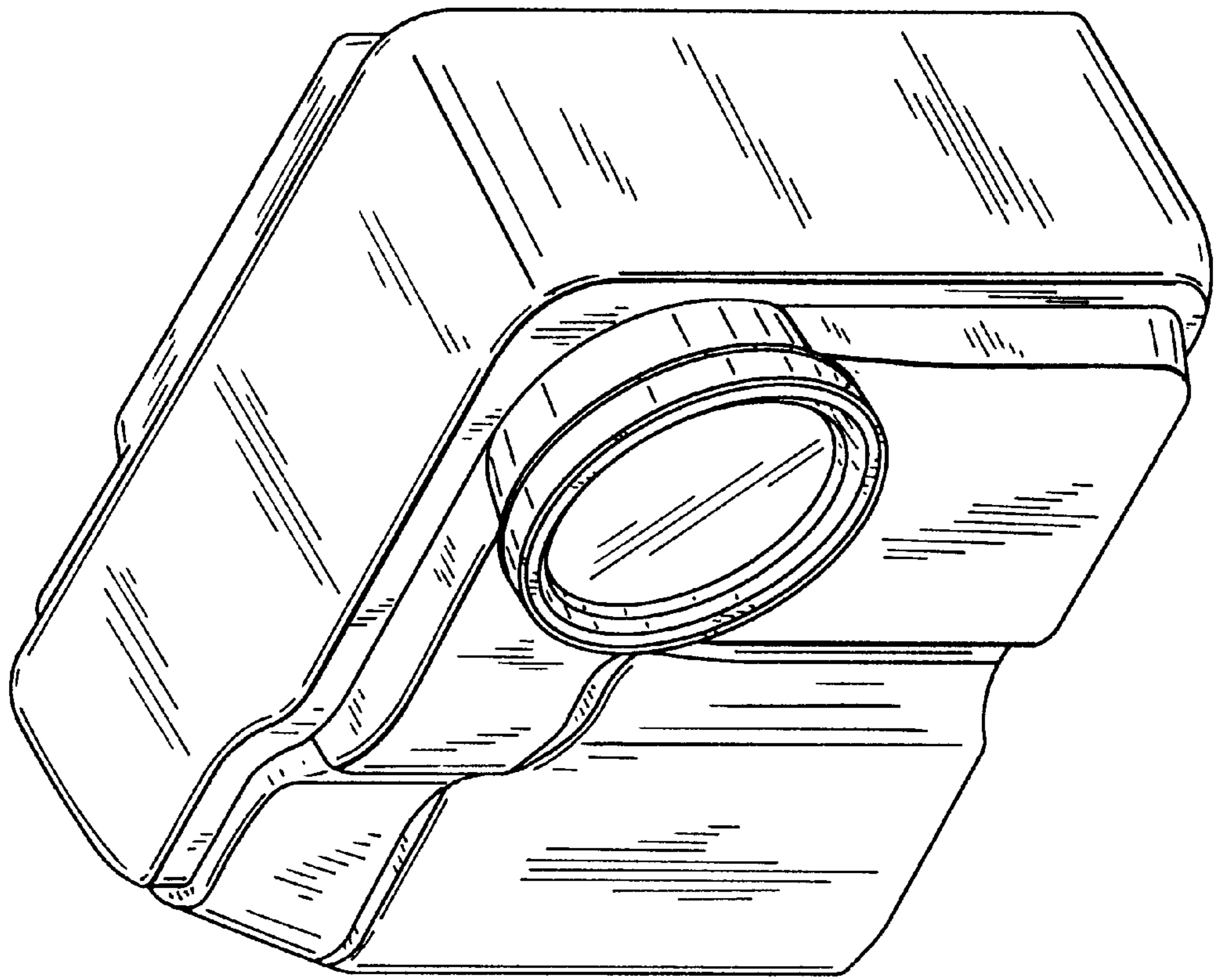


FIG. 2

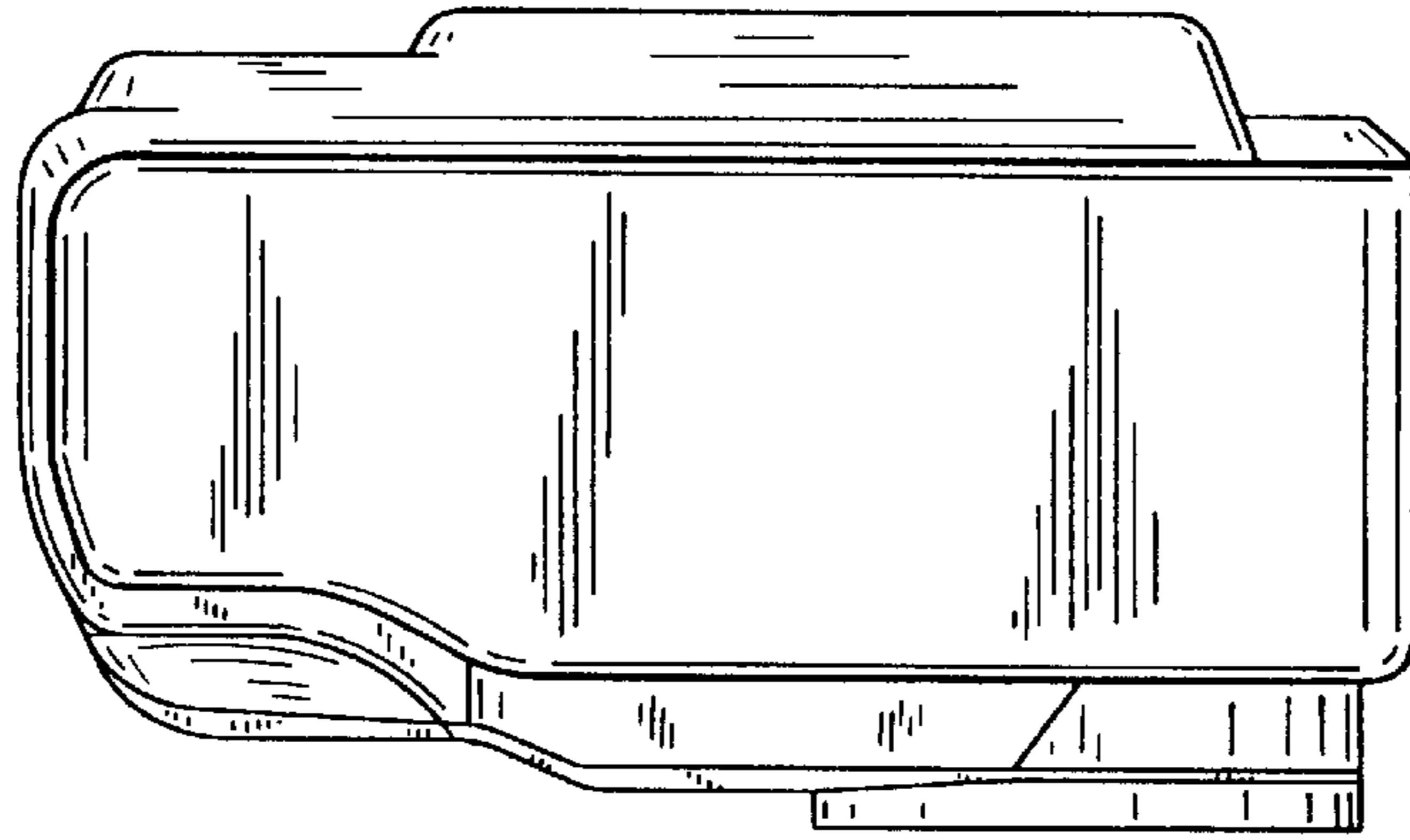


FIG. 4

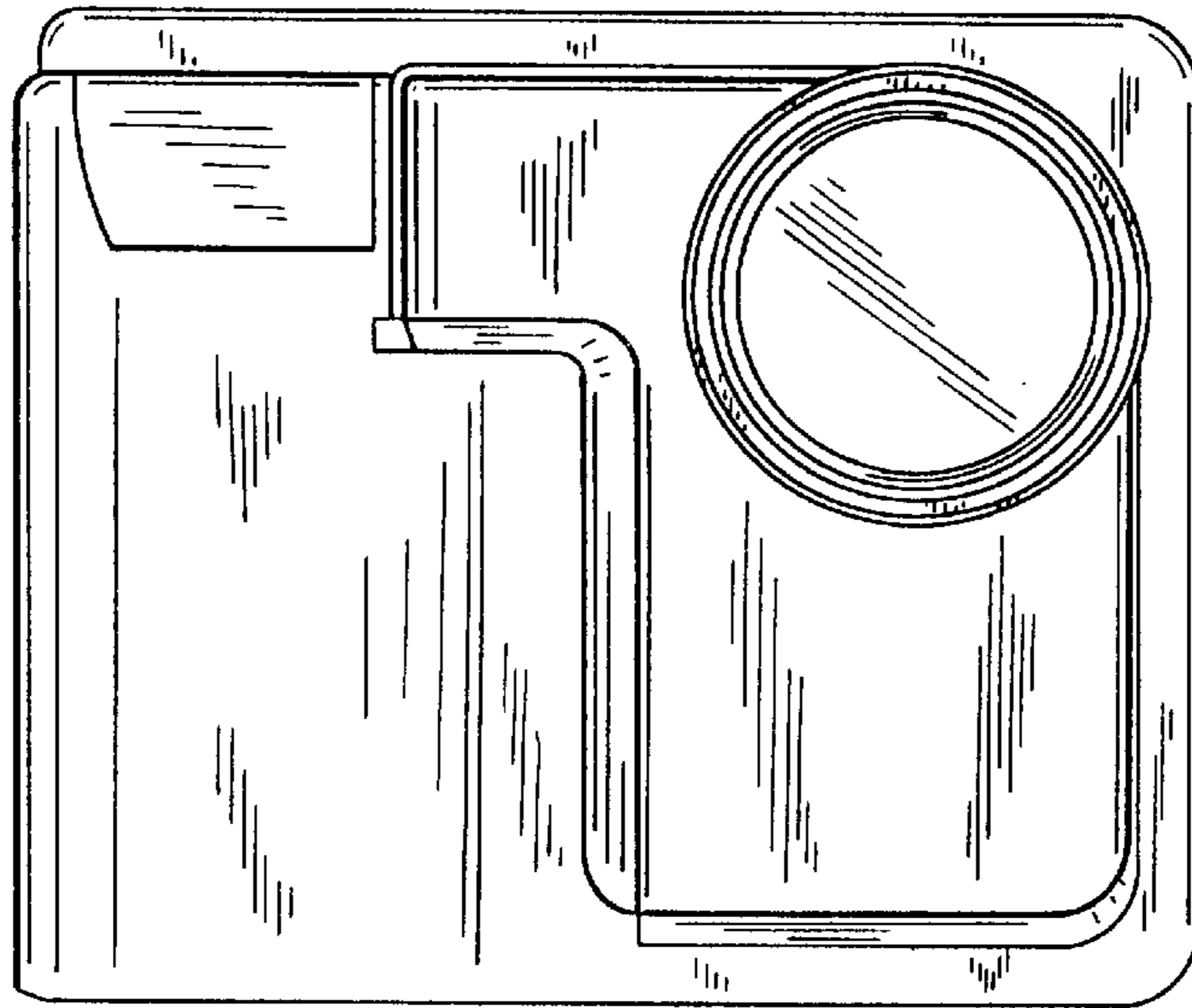


FIG. 5

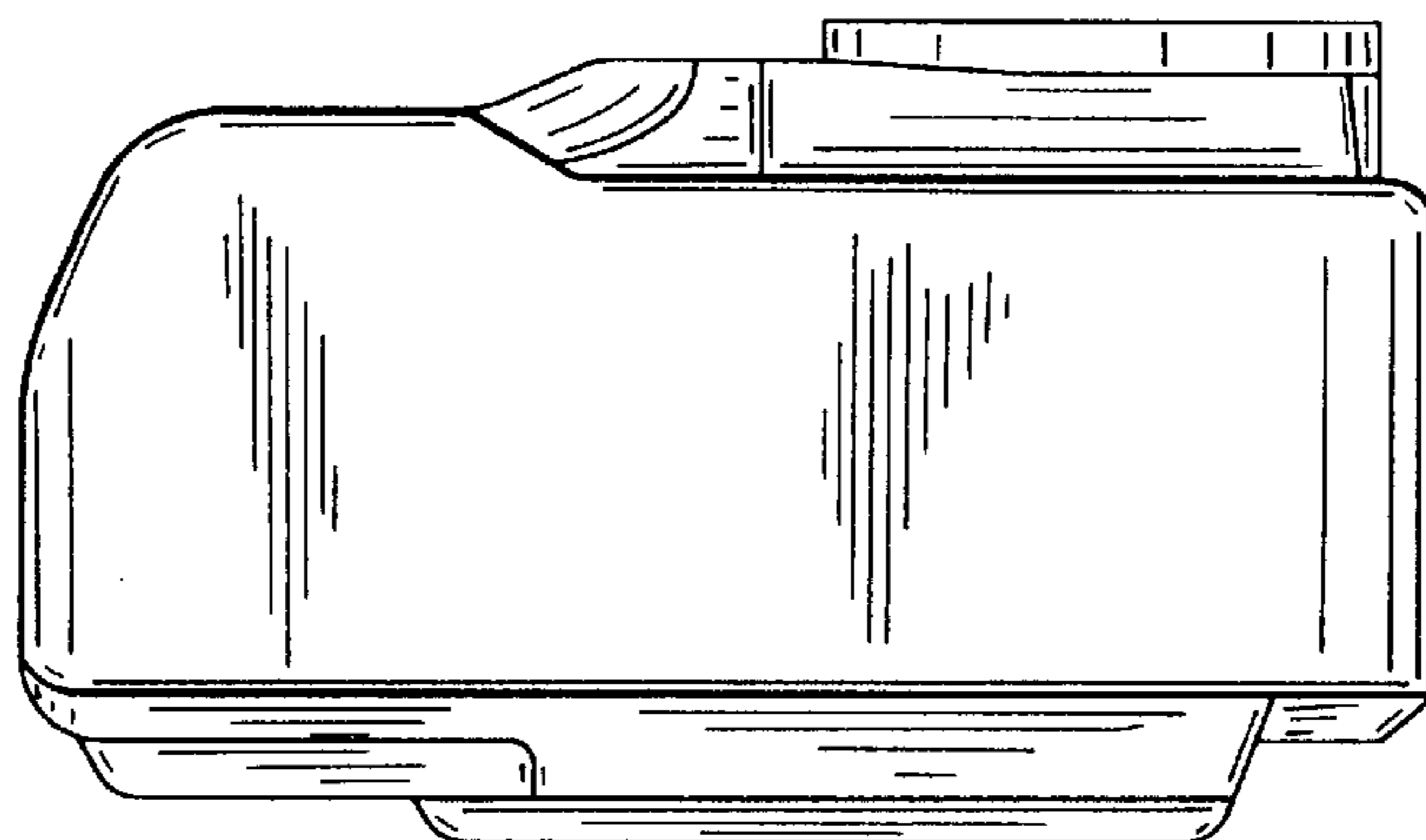


FIG. 3

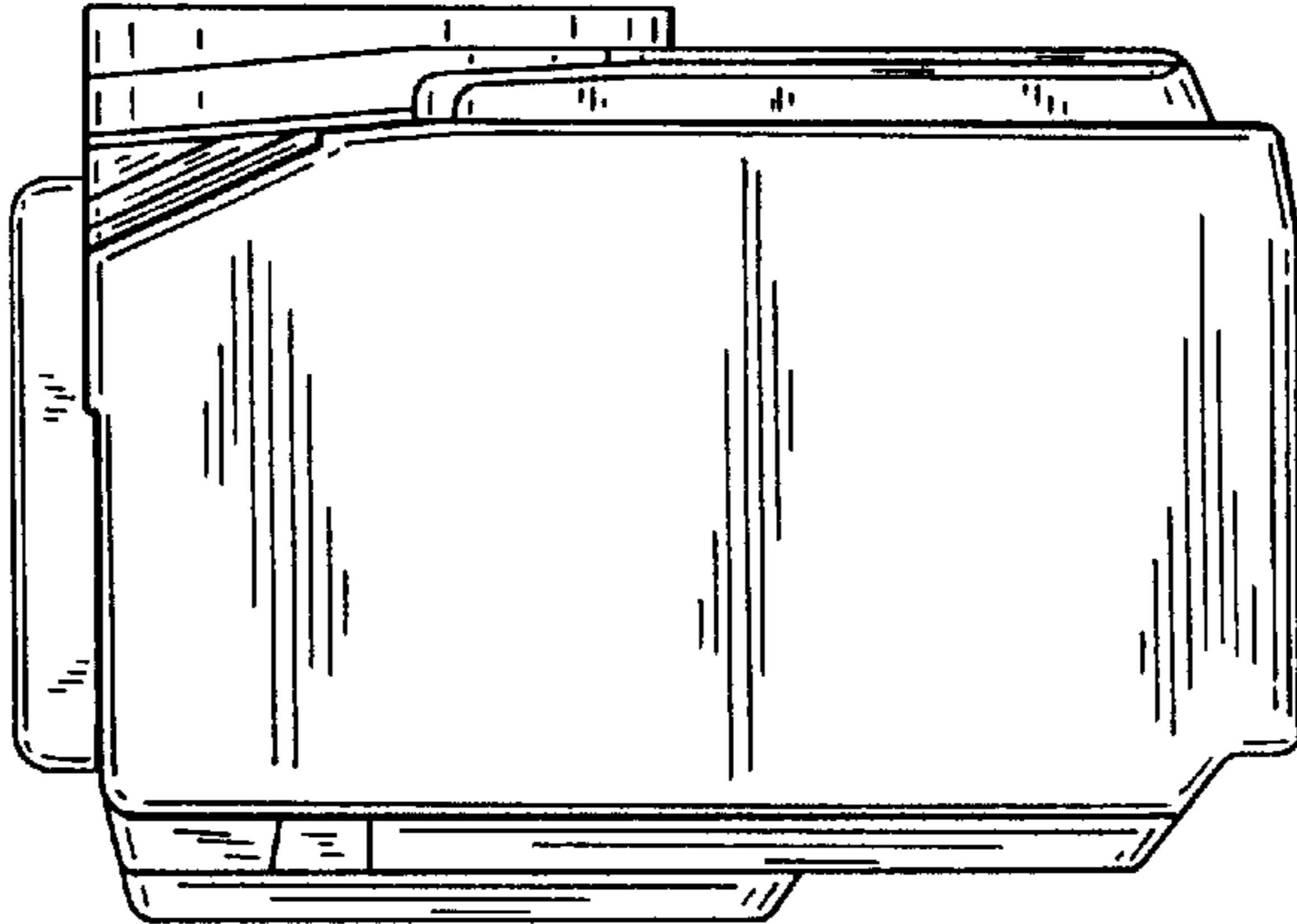


FIG. 6

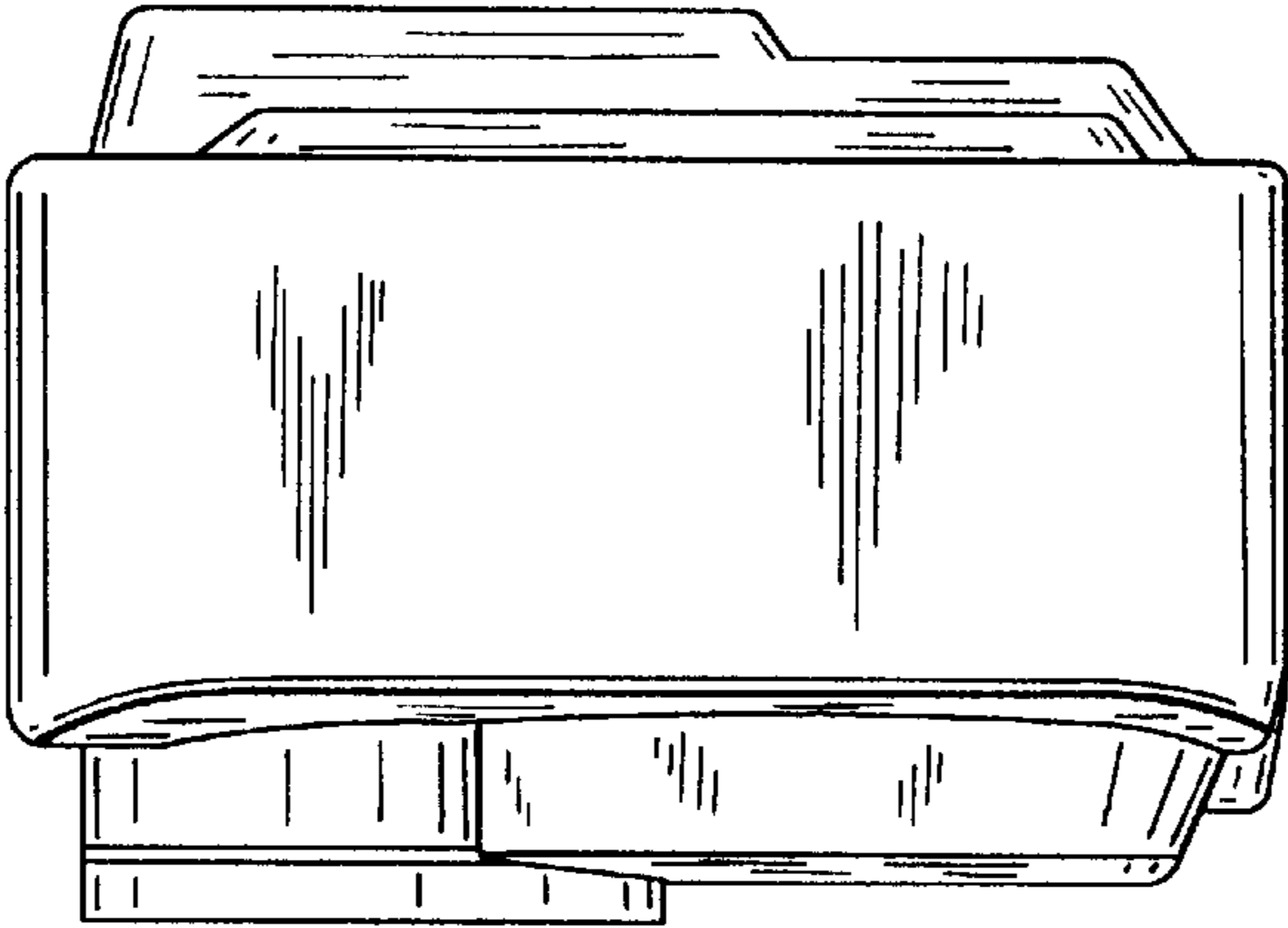


FIG. 7

