



US00D411842S

United States Patent [19] Ota

[11] **Patent Number: Des. 411,842**
[45] **Date of Patent: ** Jul. 6, 1999**

[54] **TELEVISION MONITOR**

[75] Inventor: **Kiyoshi Ota**, Tokyo, Japan

[73] Assignee: **Sony Corporation**, Tokyo, Japan

[**] Term: **14 Years**

[21] Appl. No.: **29/075,279**

[22] Filed: **Aug. 29, 1997**

[51] **LOC (6) Cl.** **14-03**

[52] **U.S. Cl.** **D14/126; D14/134**

[58] **Field of Search** **D14/113, 126-134;**
312/7.2; 348/836, 838

[56] **References Cited**

U.S. PATENT DOCUMENTS

- D. 347,840 6/1994 Gale et al. D14/128
- D. 384,659 10/1997 Suzuki D14/126

OTHER PUBLICATIONS

“Sony Cyber-shot Digital Still Camera”, Catalog No. 84, pp. 35-36, Nov. 1996.

Primary Examiner—Ted Shooman

Assistant Examiner—Richelle Shelton

Attorney, Agent, or Firm—Foley & Lardner

[57] **CLAIM**

The ornamental design for a television monitor, as shown and described.

DESCRIPTION

FIG. 1 is a perspective view of a first embodiment of a television monitor showing my new design;

FIG. 2 is a reduced top plan view thereof;

FIG. 3 is a reduced left side elevational view thereof, a right side elevational view thereof being a mirror image;

FIG. 4 is a reduced front elevational view thereof;

FIG. 5 is a reduced rear elevational view thereof;

FIG. 6 is a perspective view of a second embodiment of a television monitor showing my new design;

FIG. 7 is a reduced top plan view of the embodiment of FIG. 6;

FIG. 8 is a reduced left side elevational view of the embodiment of FIG. 6, a right side elevational view thereof being a mirror image;

FIG. 9 is a reduced front elevational view of the embodiment of FIG. 6;

FIG. 10 is a reduced bottom plan view of the embodiment of FIG. 6;

FIG. 11 is a reduced rear elevational view of the embodiment of FIG. 6;

FIG. 12 is a reference perspective view of the embodiment of FIG. 1, wherein the cover portion is in an open position as shown in broken lines; and,

FIG. 13 is a reference perspective view of the embodiment of FIG. 6, wherein the cover portion is in an open position and exemplary controls are illustrated, as shown in broken lines and,

FIGS. 12 and 13 contain broken lines which are for illustrative purposes only and form no part of the claimed design.

1 Claim, 8 Drawing Sheets

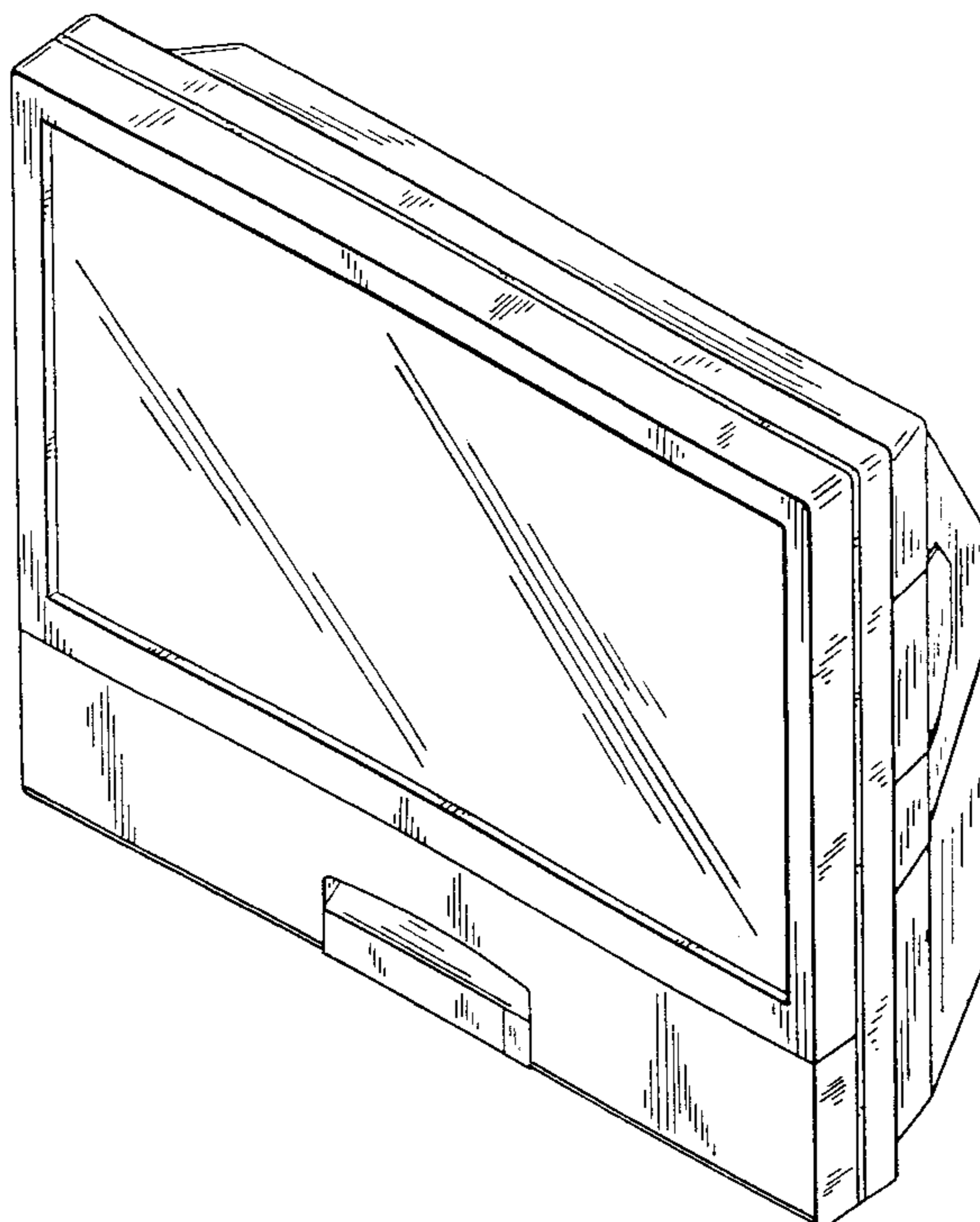


FIG. 1

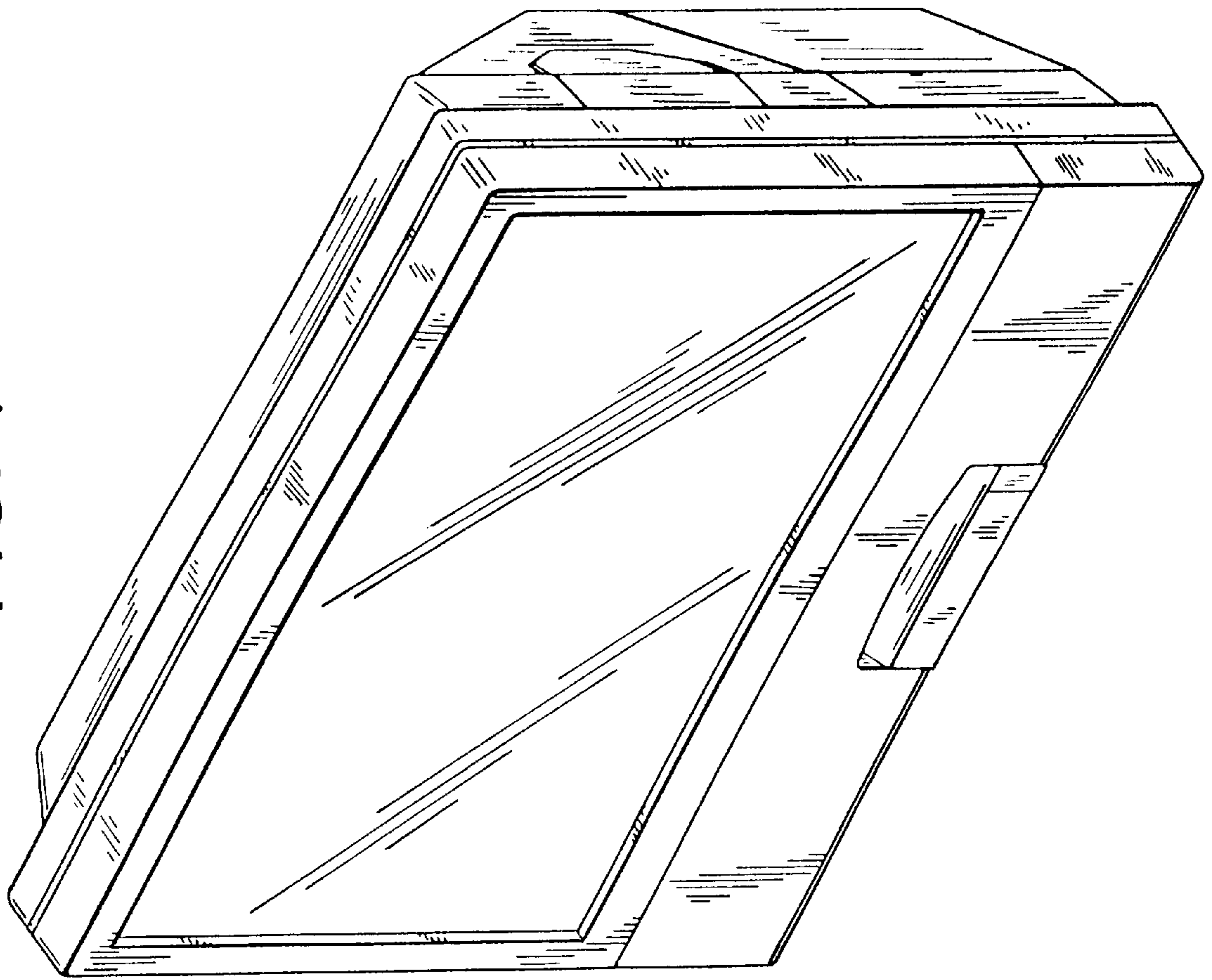


FIG. 2

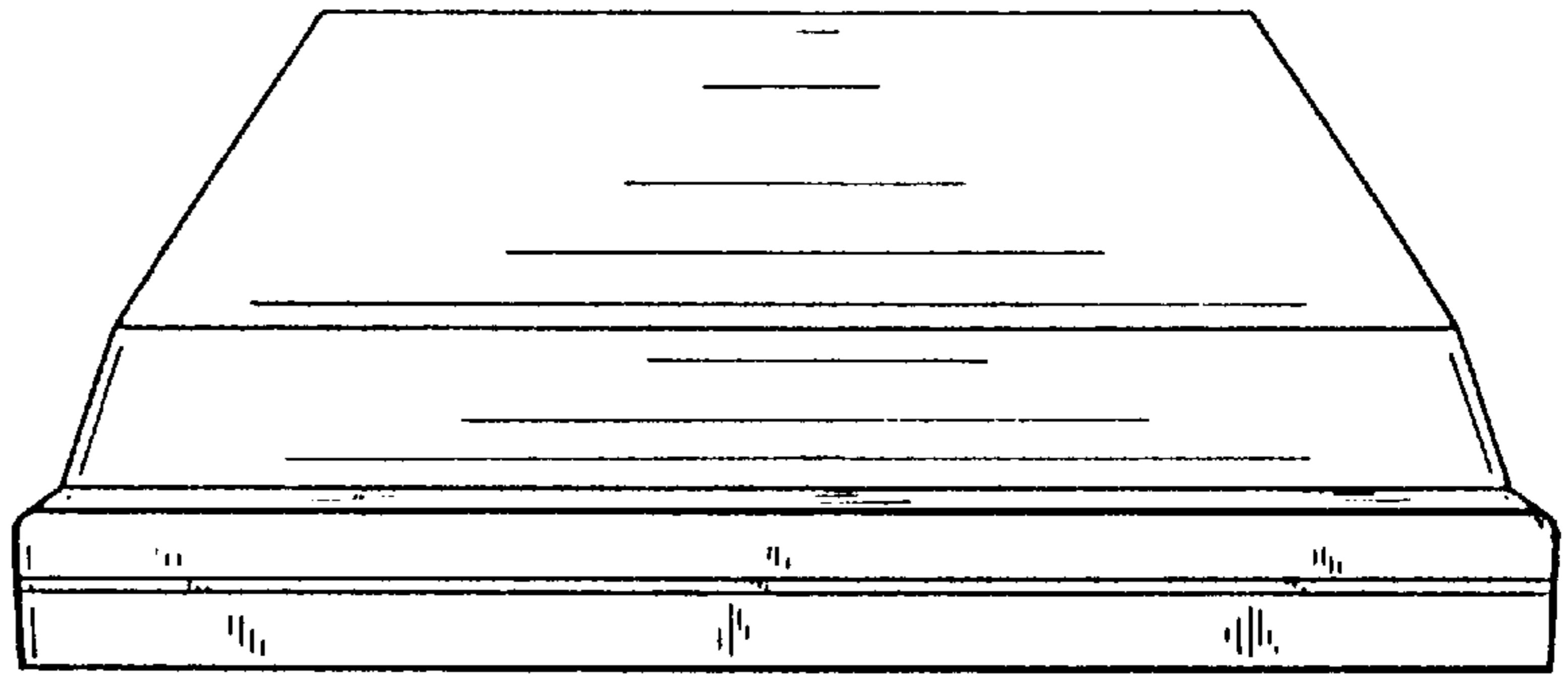


FIG. 3

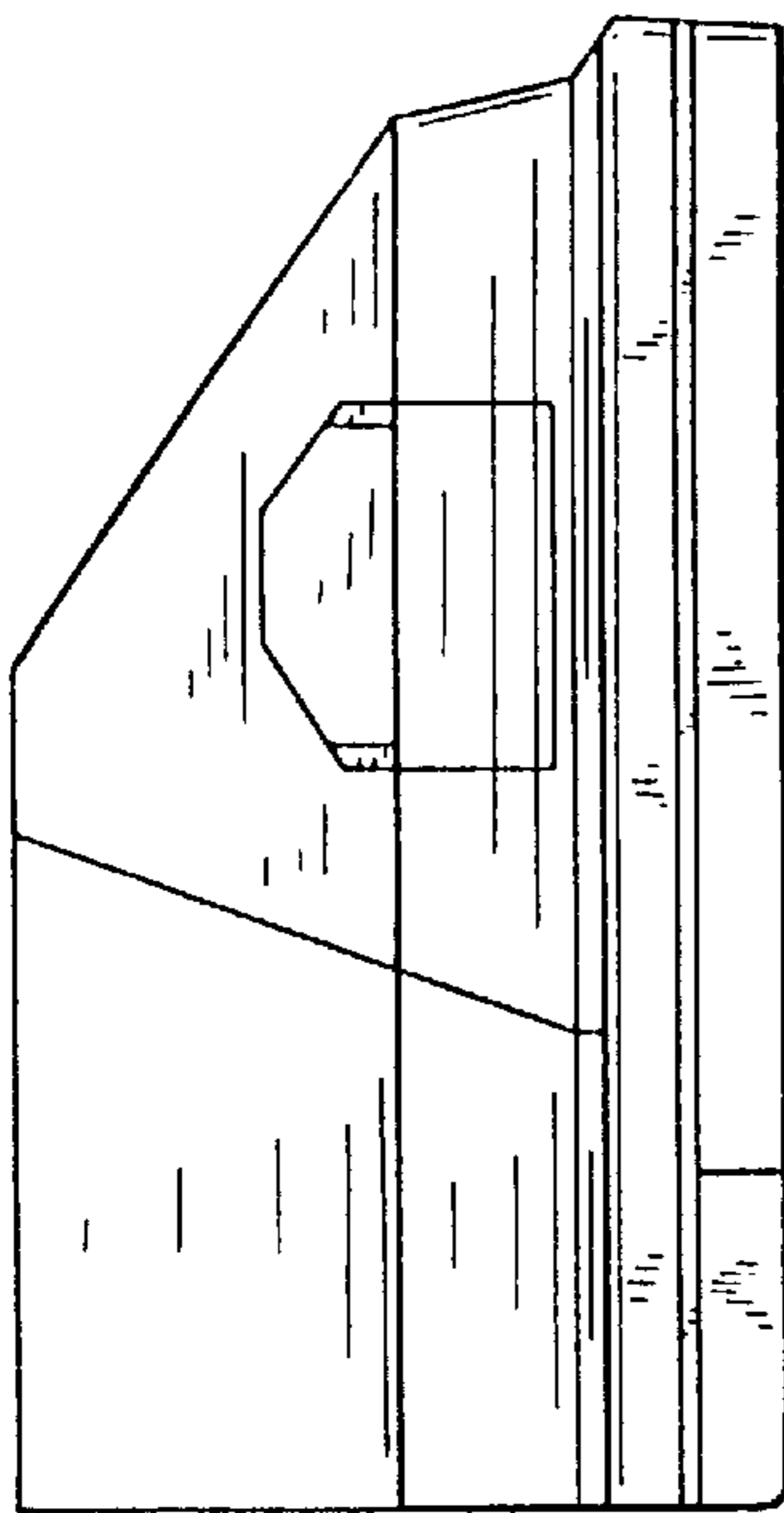


FIG. 4

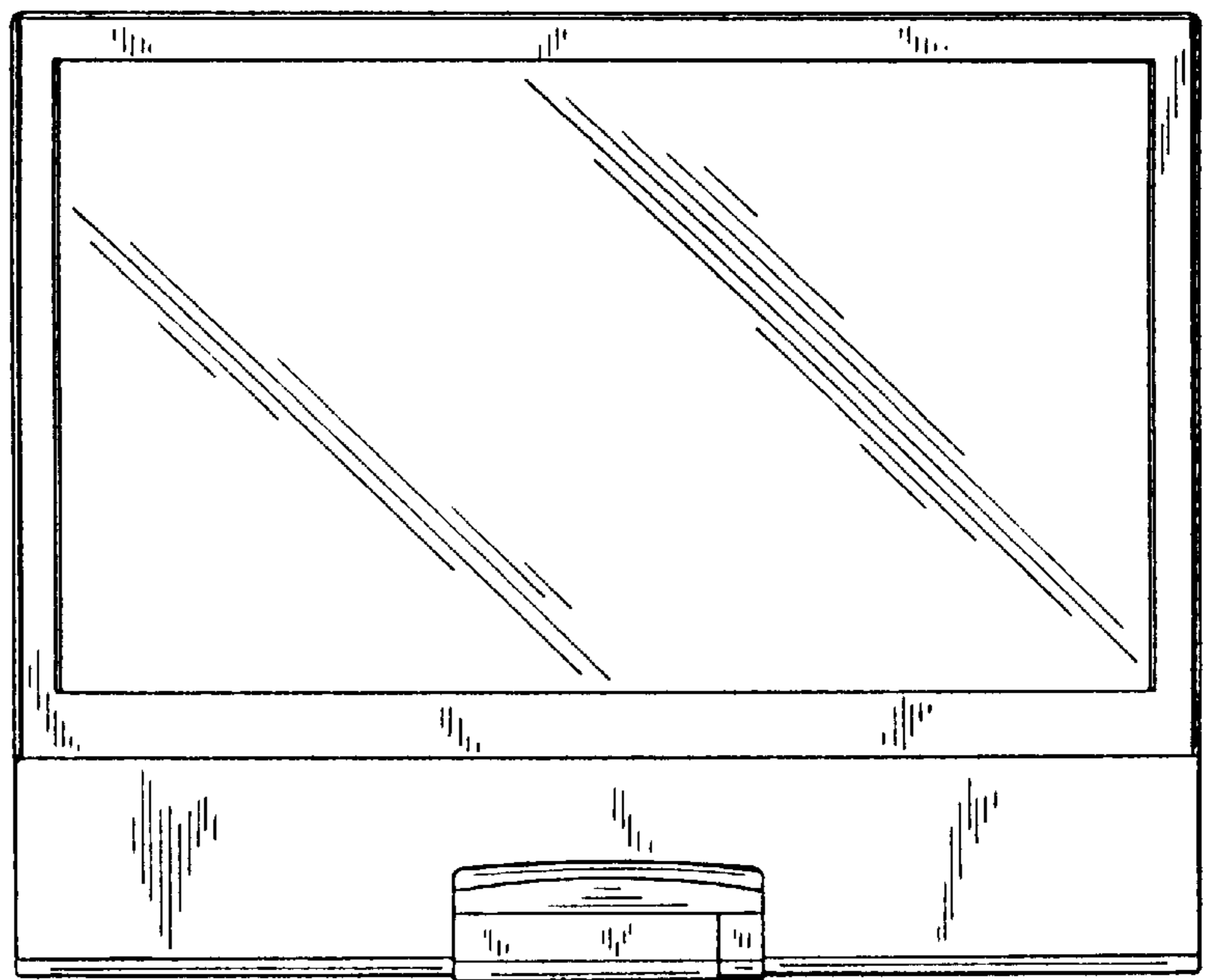


FIG. 5

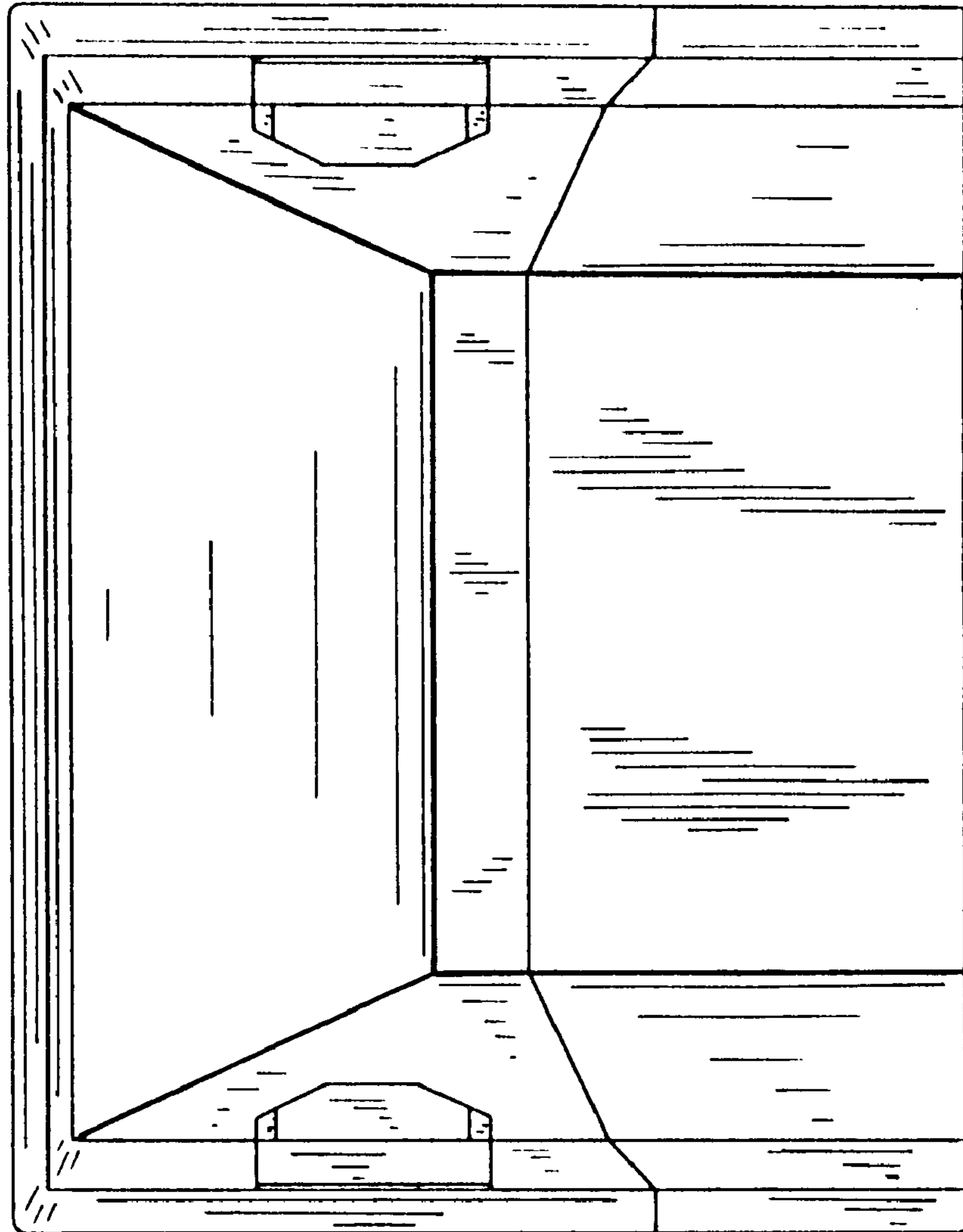


FIG. 6

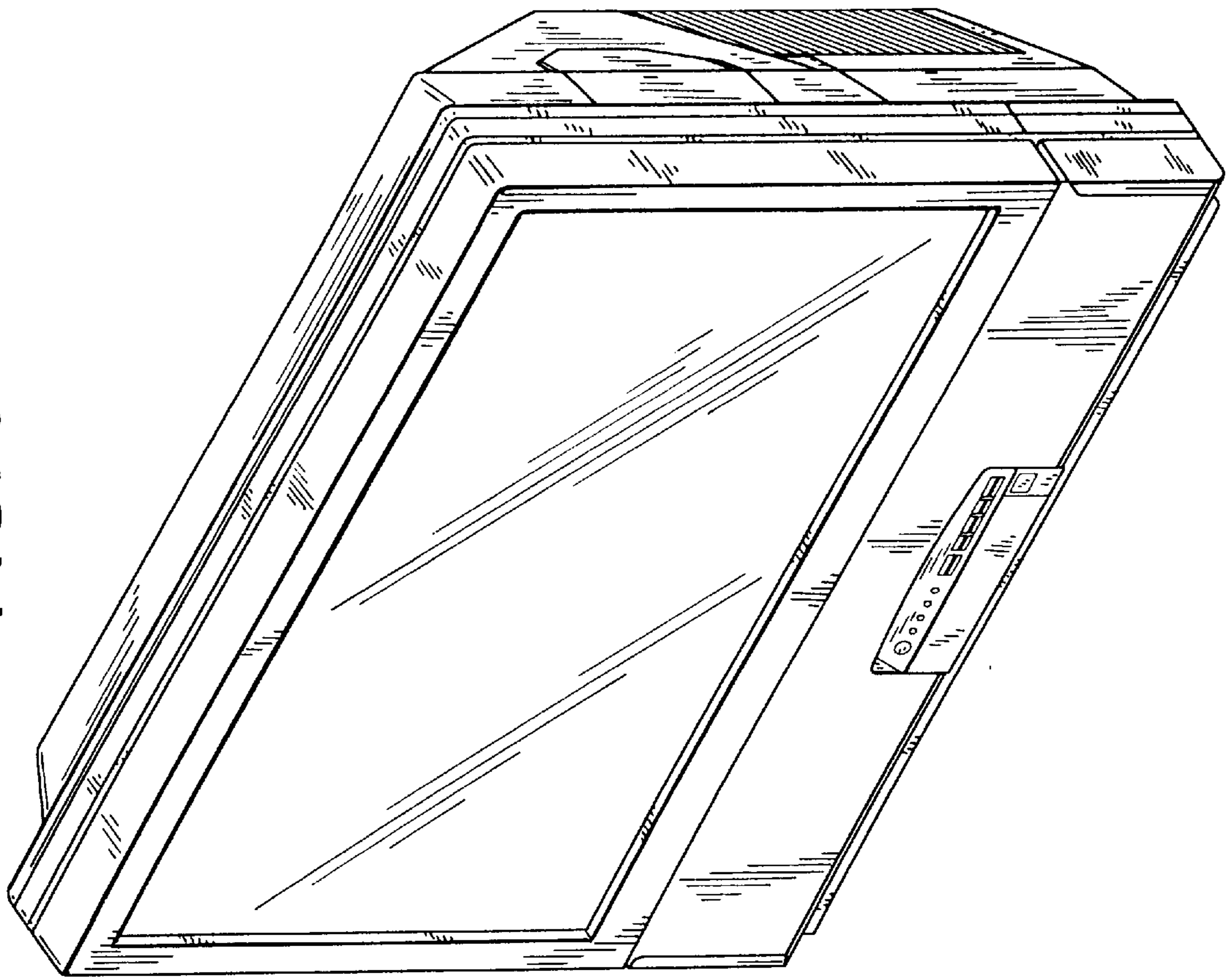


FIG. 7

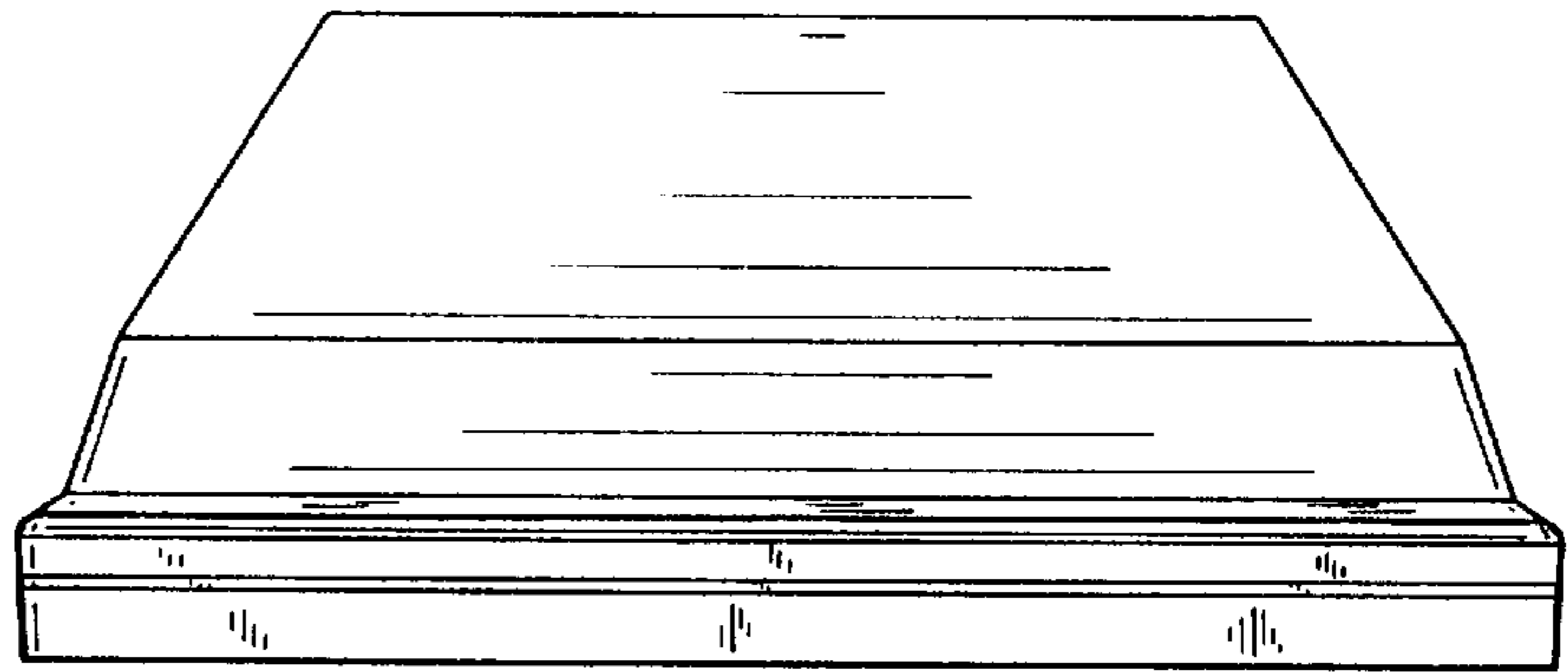


FIG. 8

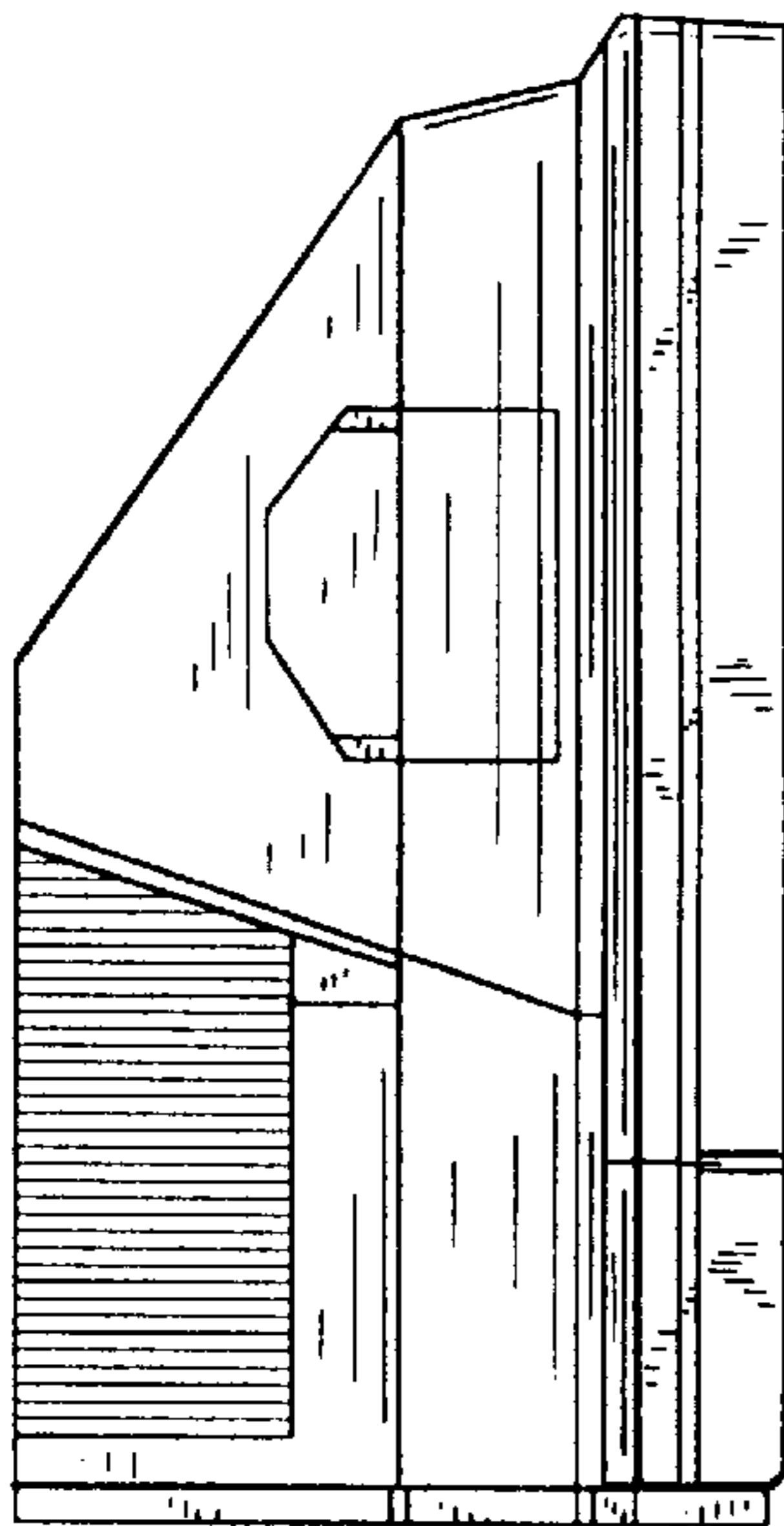


FIG. 9

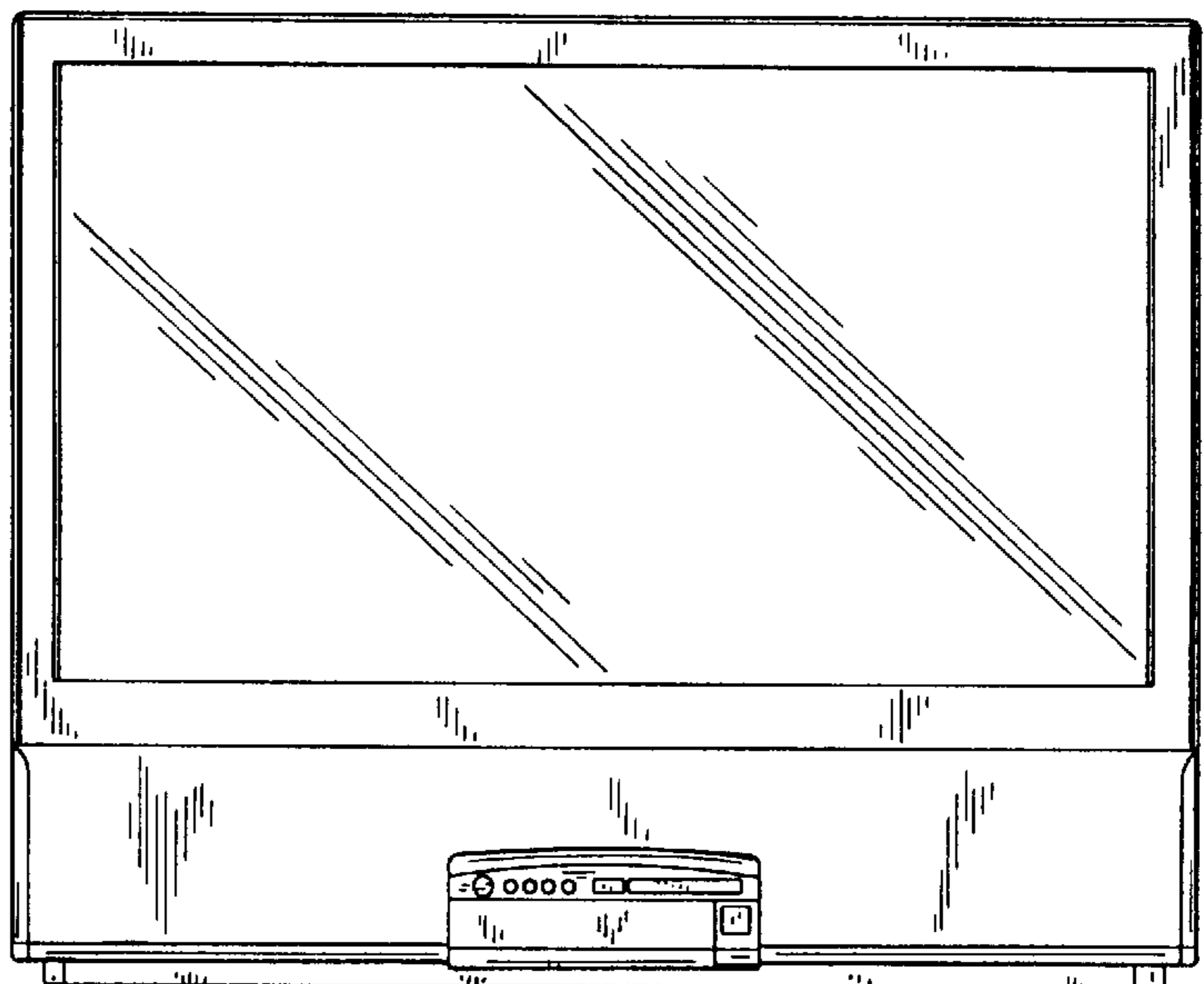


FIG. 10

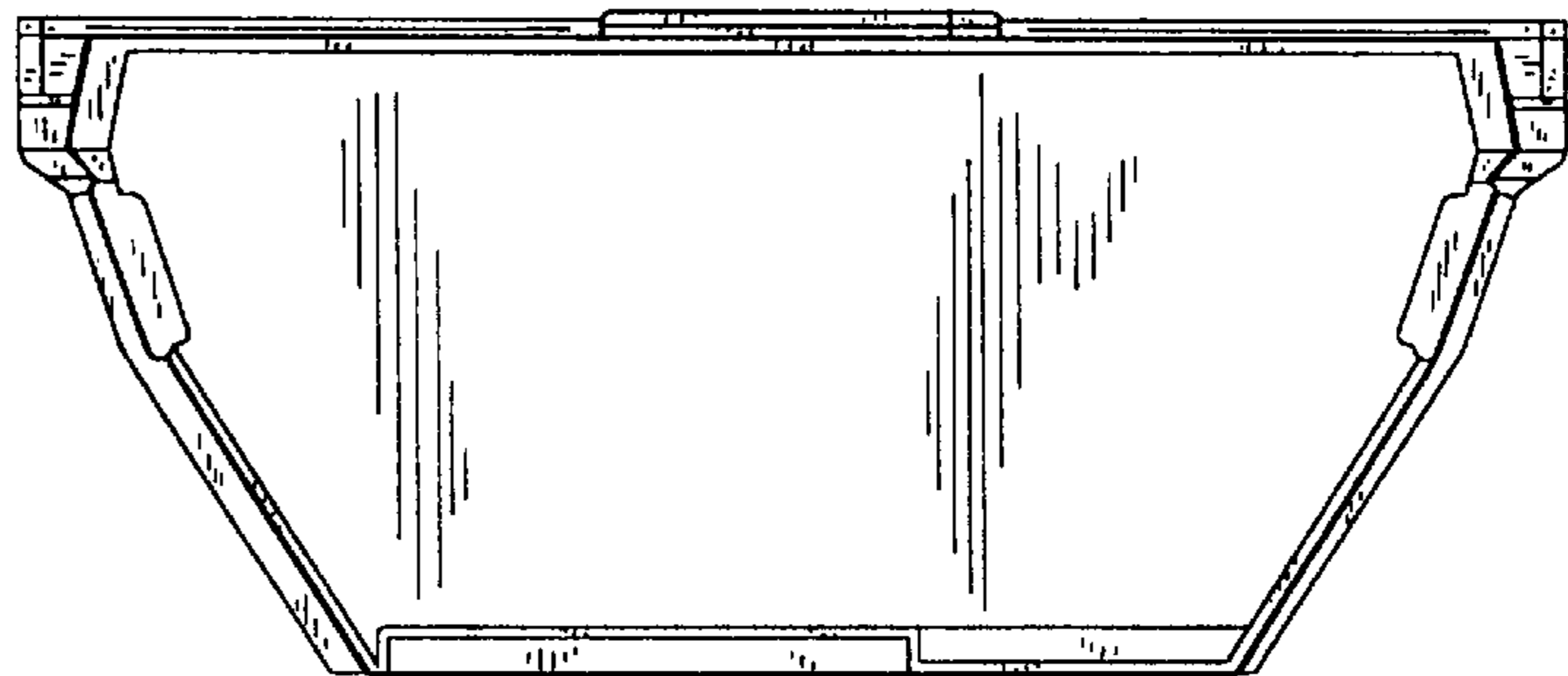


FIG. 11

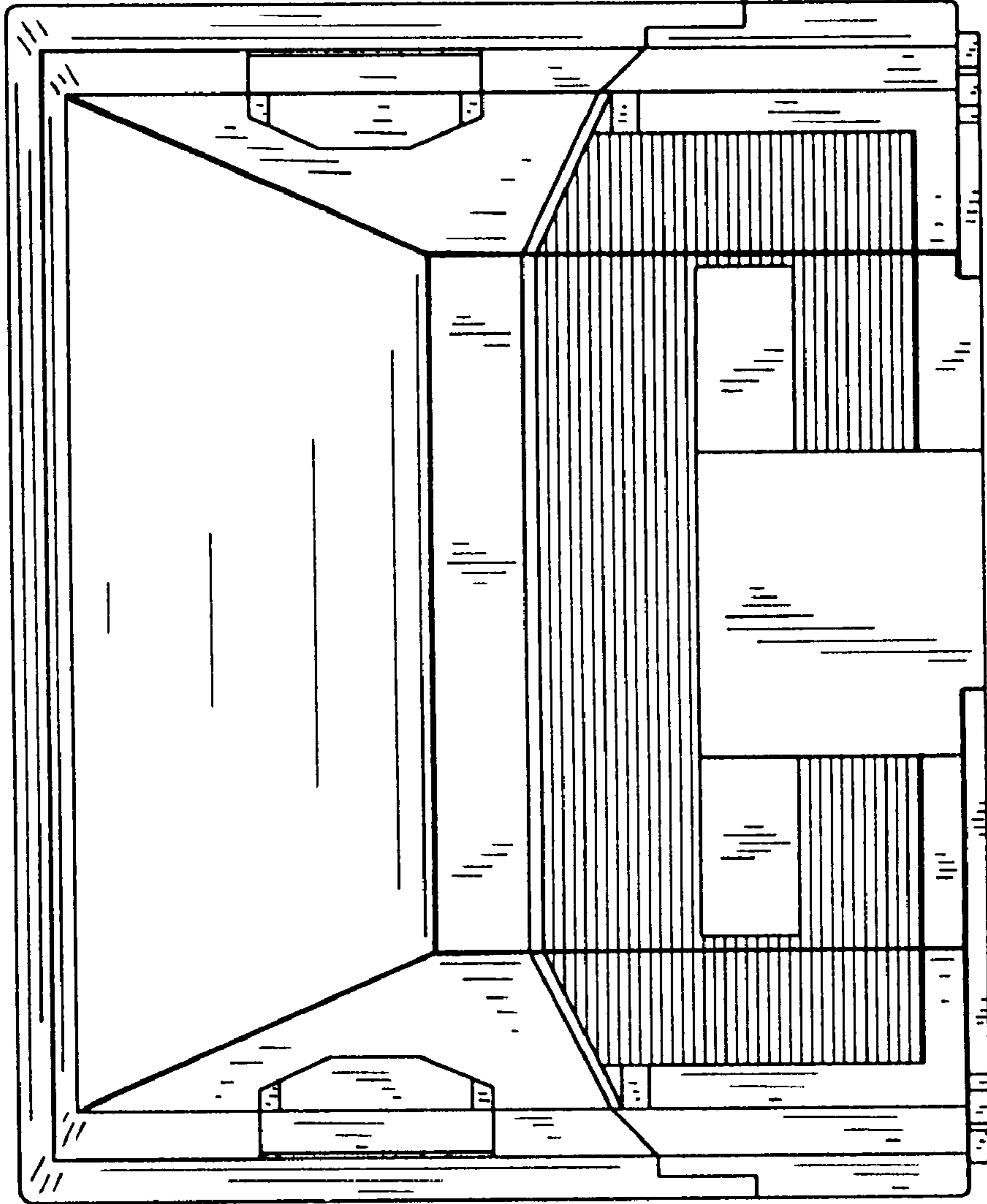


FIG. 12

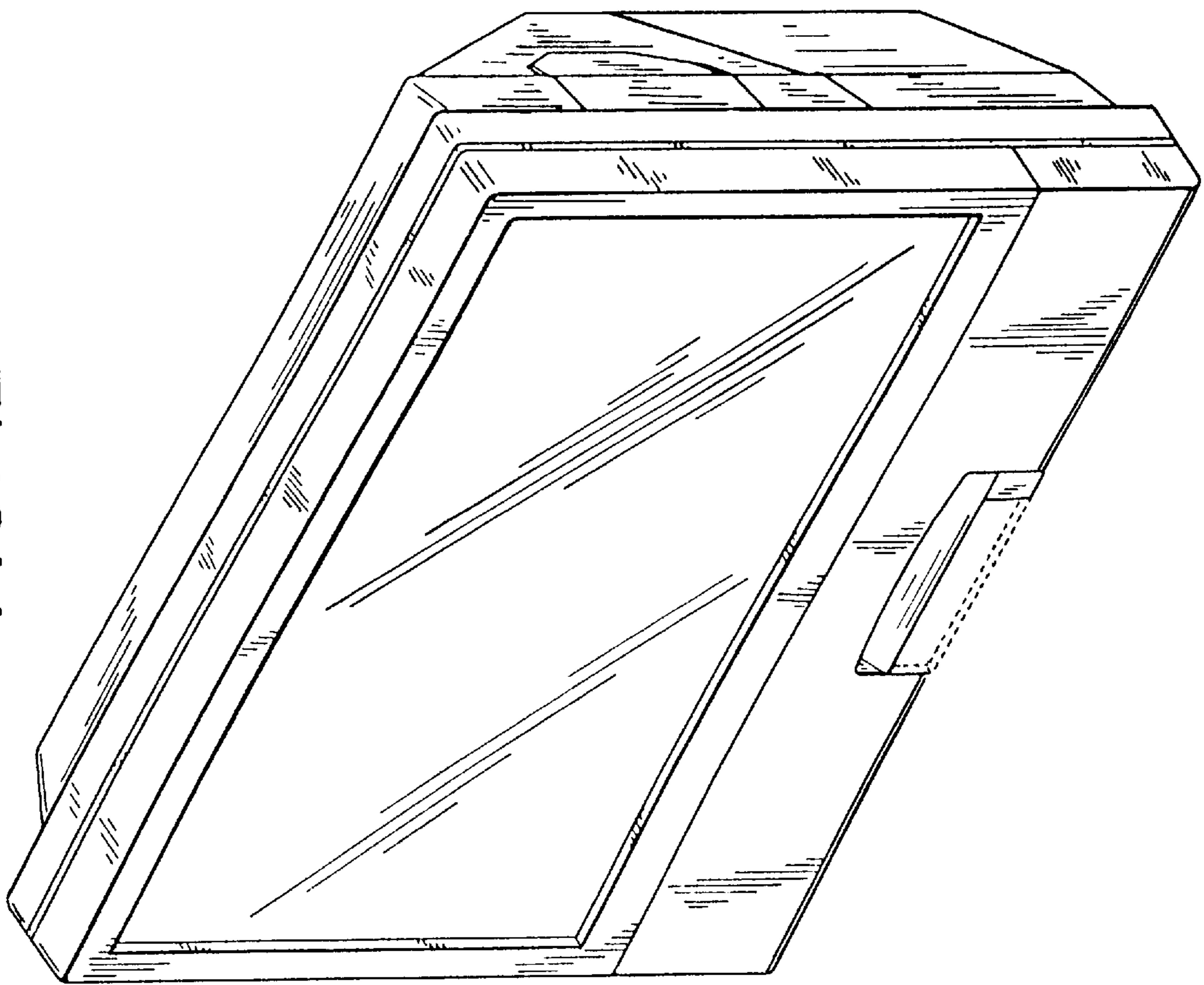


FIG. 13

