



US00D411841S

# United States Patent [19]

Vanderheyden et al.

[11] Patent Number: **Des. 411,841**

[45] Date of Patent: **\*\* Jul. 6, 1999**

[54] DATA STORAGE TAPE CARTRIDGE

[75] Inventors: **William J. Vanderheyden**, River Falls, Wis.; **G. Phillip Rambosek**, Schafer, Minn.; **David T. Hoge**, Westminster, Colo.; **Gregory D. Volan**, Longmont, Colo.; **Anthony M. Grieder**, Boulder, Colo.

[73] Assignees: **Imation Corp.**, Oakdale, Minn.; **Storage Technology Corporation**, Louisville, Colo.

[\*\*] Term: **14 Years**

[21] Appl. No.: **29/089,250**

[22] Filed: **Jun. 11, 1998**

[51] LOC (6) Cl. .... **14-99**

[52] U.S. Cl. .... **D14/121**

[58] Field of Search ..... D14/120-122,  
D14/108, 299; 273/148 B; 463/1, 29-35,  
46, 47; 242/348, 348.1-348.4; 360/131-135,  
900

[56] **References Cited**

**U.S. PATENT DOCUMENTS**

- D. 318,273 7/1991 Takaichi ..... D14/121
- D. 344,700 3/1994 Barr et al. .... D14/121

- D. 378,518 3/1997 Sumner et al. .... D14/121
- D. 381,645 7/1997 Johnson ..... D14/121
- D. 396,228 7/1998 Yao ..... D14/121
- 4,608,617 8/1986 Oishi et al. .... D14/121 X
- 4,865,721 9/1989 Nakagawa et al. .... 463/29
- 5,362,068 11/1994 Liu ..... 463/44
- 5,465,187 11/1995 Hoge et al. .... 360/132

*Primary Examiner*—Prabhakar Deshmukh  
*Attorney, Agent, or Firm*—Dicke, Billig & Czaja, P.A.

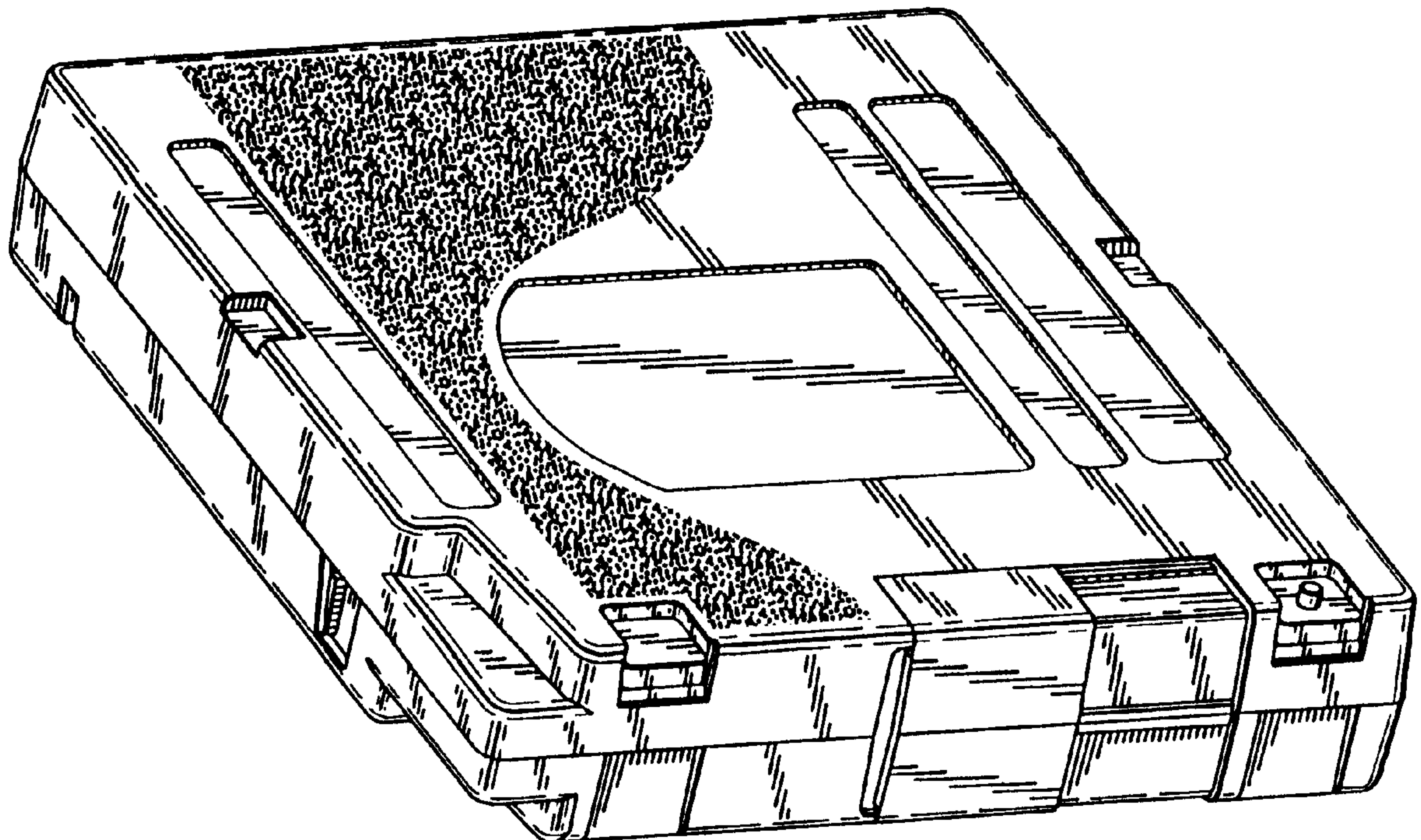
[57] **CLAIM**

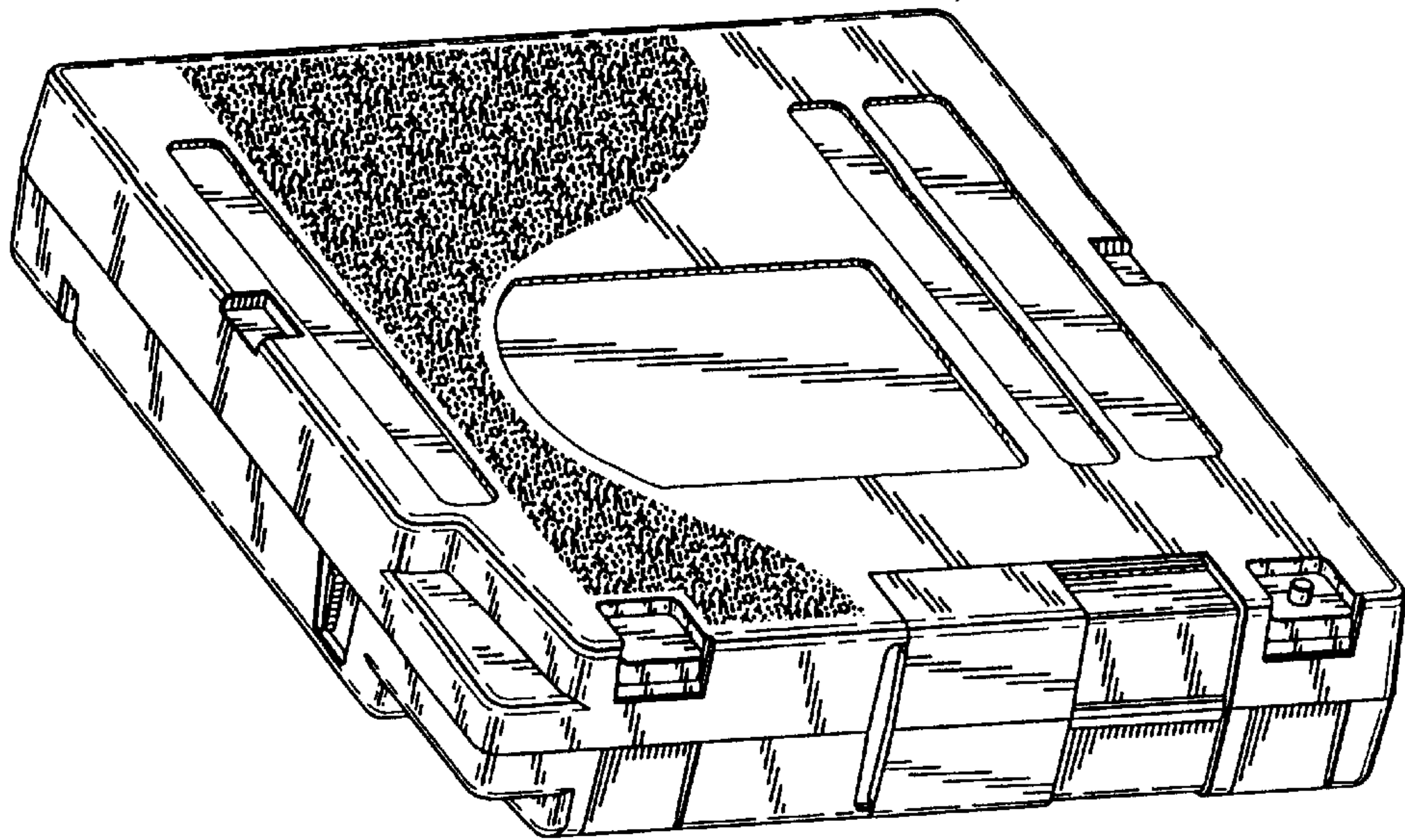
The ornamental design for a data storage tape cartridge, as shown and described herein.

**DESCRIPTION**

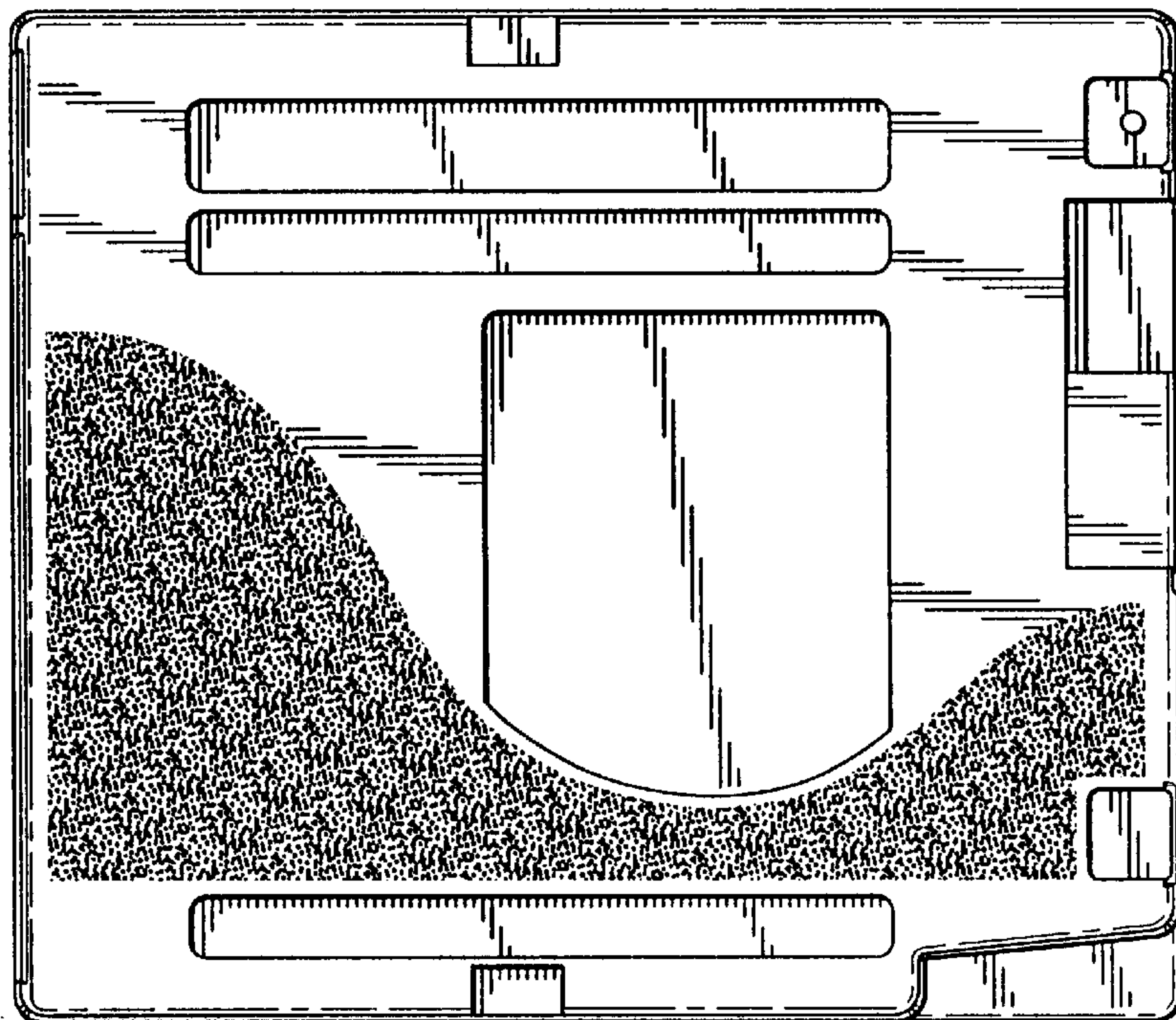
FIG. 1 is a front isometric view of a data storage tape cartridge according to the present invention; FIG. 2 is a top view of the cartridge shown in FIG. 1; FIG. 3 is a side view of the cartridge shown in FIG. 1; FIG. 4 is an opposite side view of the cartridge shown in FIG. 1; FIG. 5 is a bottom view of the cartridge shown in FIG. 1; FIG. 6 is a front view of the cartridge shown in FIG. 1; and, FIG. 7 is a rear view of the cartridge shown in FIG. 1. Those portions of the cartridge shown in broken lines are included for illustrative purposes only and form no part of the claimed design.

**1 Claim, 2 Drawing Sheets**

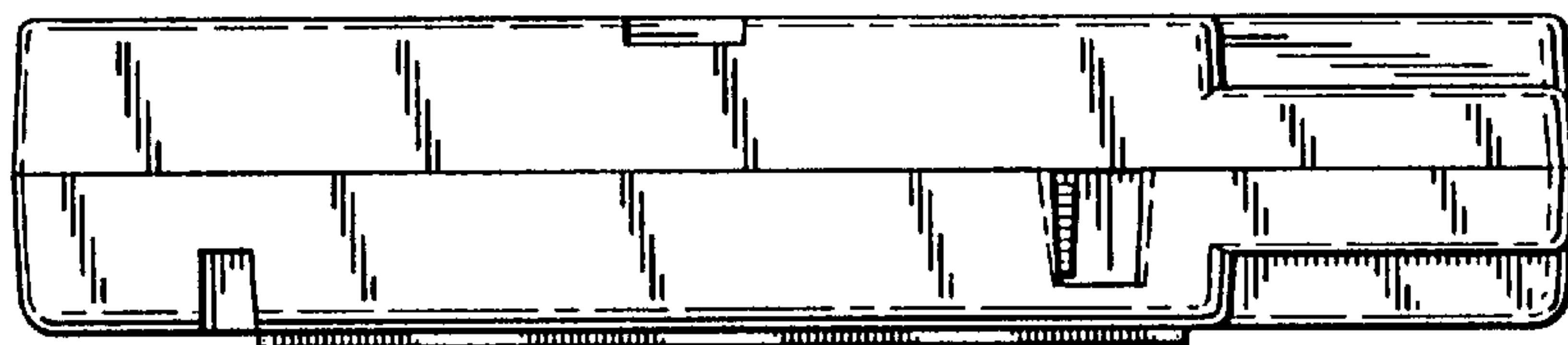




*Fig. 1*

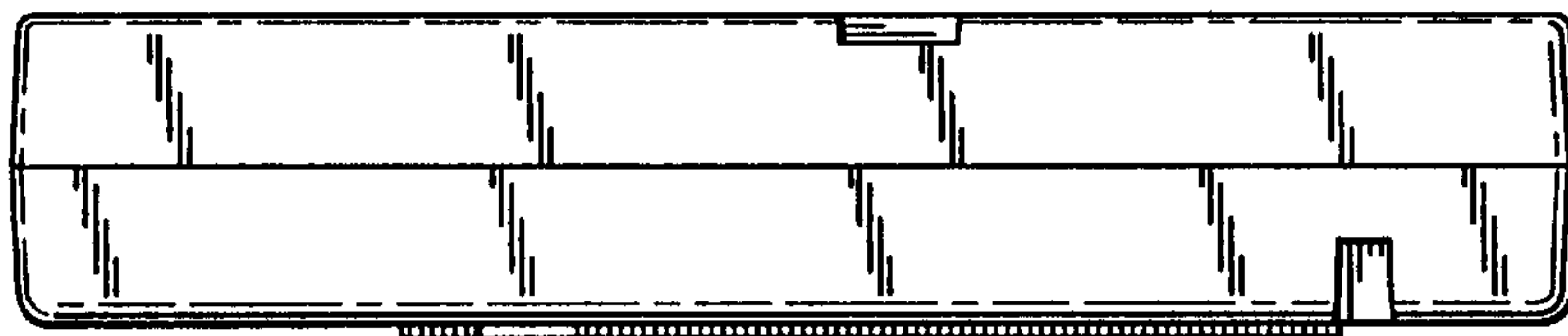


*Fig. 2*

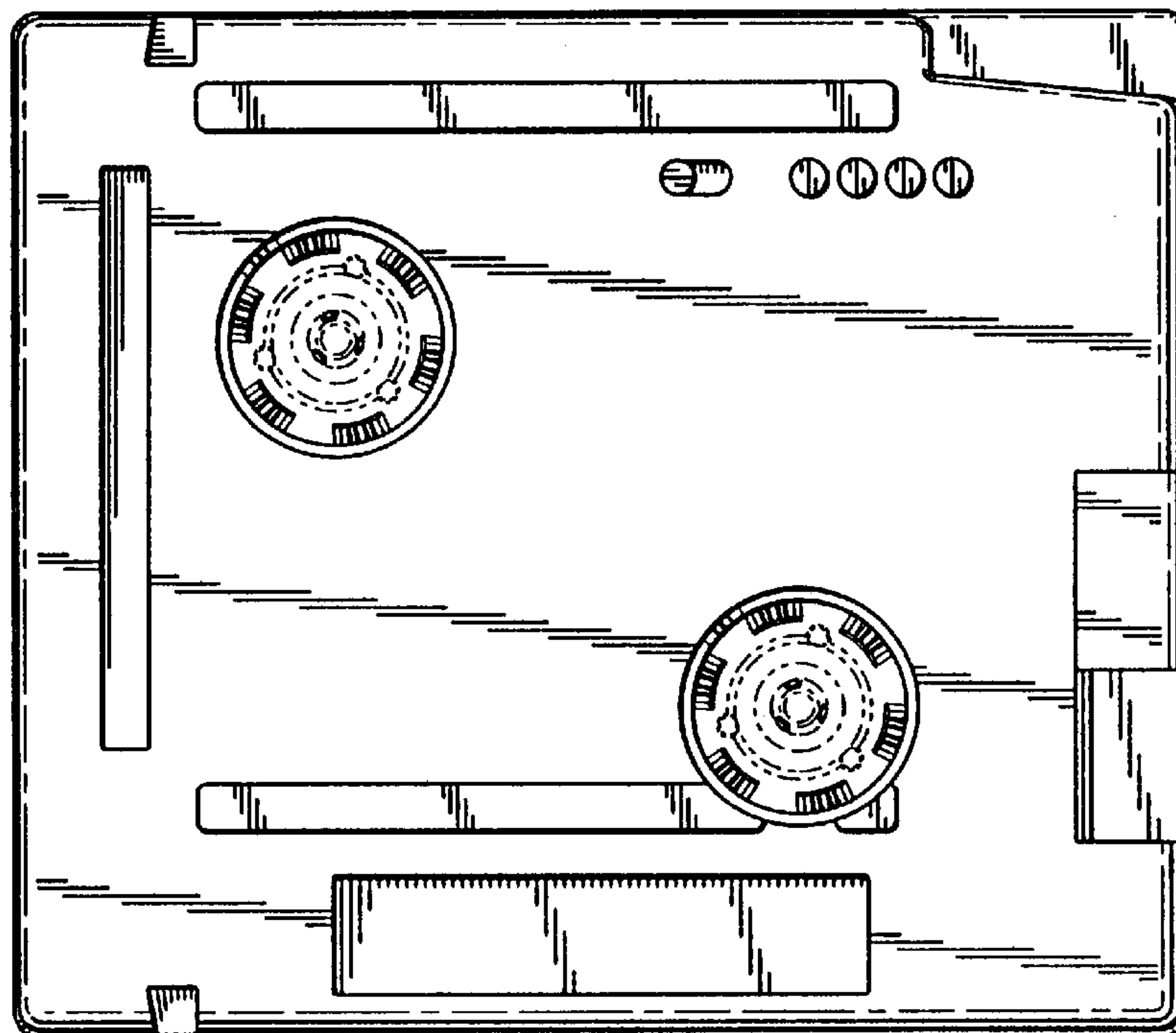


*Fig. 3*

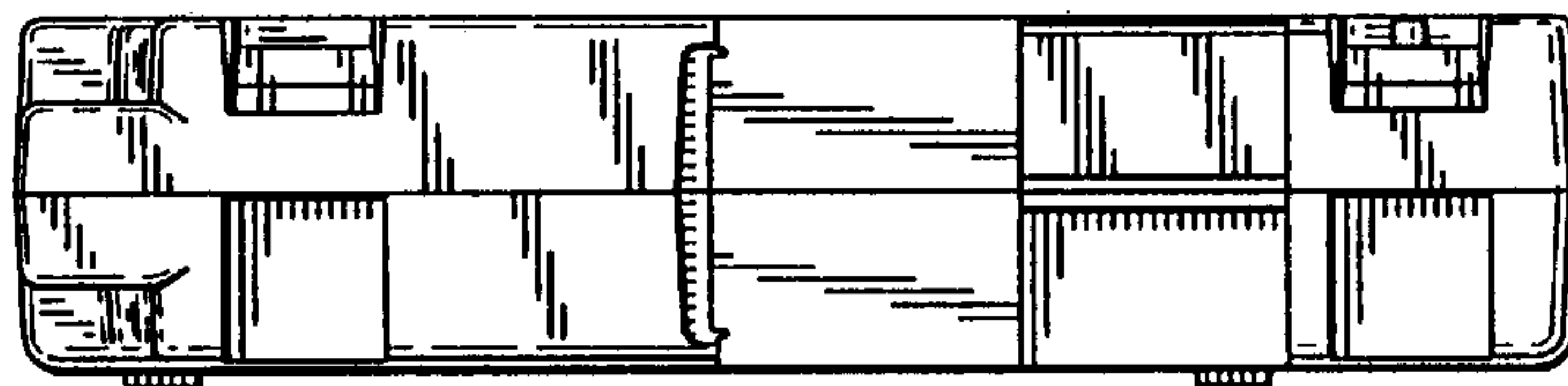




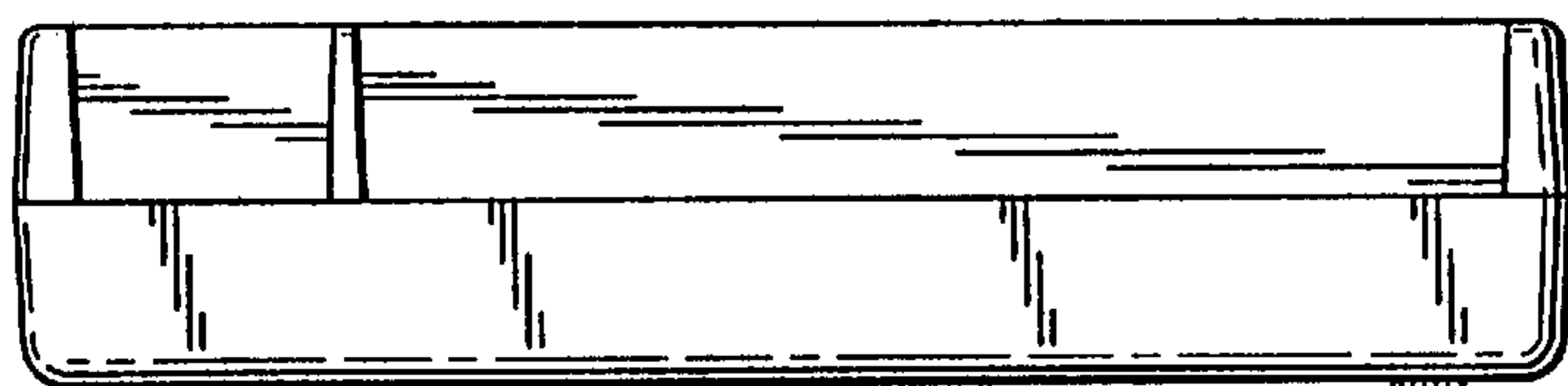
*Fig. 4*



*Fig. 5*



*Fig. 6*



*Fig. 7*