



US00D411836S

United States Patent [19] Cavello

[11] **Patent Number: Des. 411,836**
[45] **Date of Patent: ** Jul. 6, 1999**

[54] **MONITOR**

D. 390,545 2/1998 Chang D14/113

[75] Inventor: **Christopher Cavello**, Austin, Tex.

Primary Examiner—Freda Nunn

[73] Assignee: **ADI Corporation**, Tai-Ping, Taiwan

Attorney, Agent, or Firm—Brinks Hofer Gilson & Lione

[**] Term: **14 Years**

[57] **CLAIM**

[21] Appl. No.: **29/090,968**

The ornamental design for a monitor, as shown and described.

[22] Filed: **Jul. 21, 1998**

DESCRIPTION

[30] **Foreign Application Priority Data**

Mar. 17, 1998	[TW]	Taiwan	87301787
Mar. 18, 1998	[CN]	China	98330106
Mar. 18, 1998	[GB]	United Kingdom	2073321

FIG. 1 is a perspective view of a monitor showing my new design;

[51] **LOC (6) Cl.** **14-02**

FIG. 2 is a front elevational view thereof;

[52] **U.S. Cl.** **D14/113; D14/126**

FIG. 3 is a rear elevational view thereof;

[58] **Field of Search** D14/100, 101,
D14/106, 113, 124-129; 341/12; 345/104,
133, 156, 168, 87, 173, 901-905; 348/180,
184, 325, 739; 349/1, 2, 11, 62

FIG. 4 is a left side elevational view thereof;

FIG. 5 is a right side elevational view thereof;

FIG. 6 is a top plan view thereof; and,

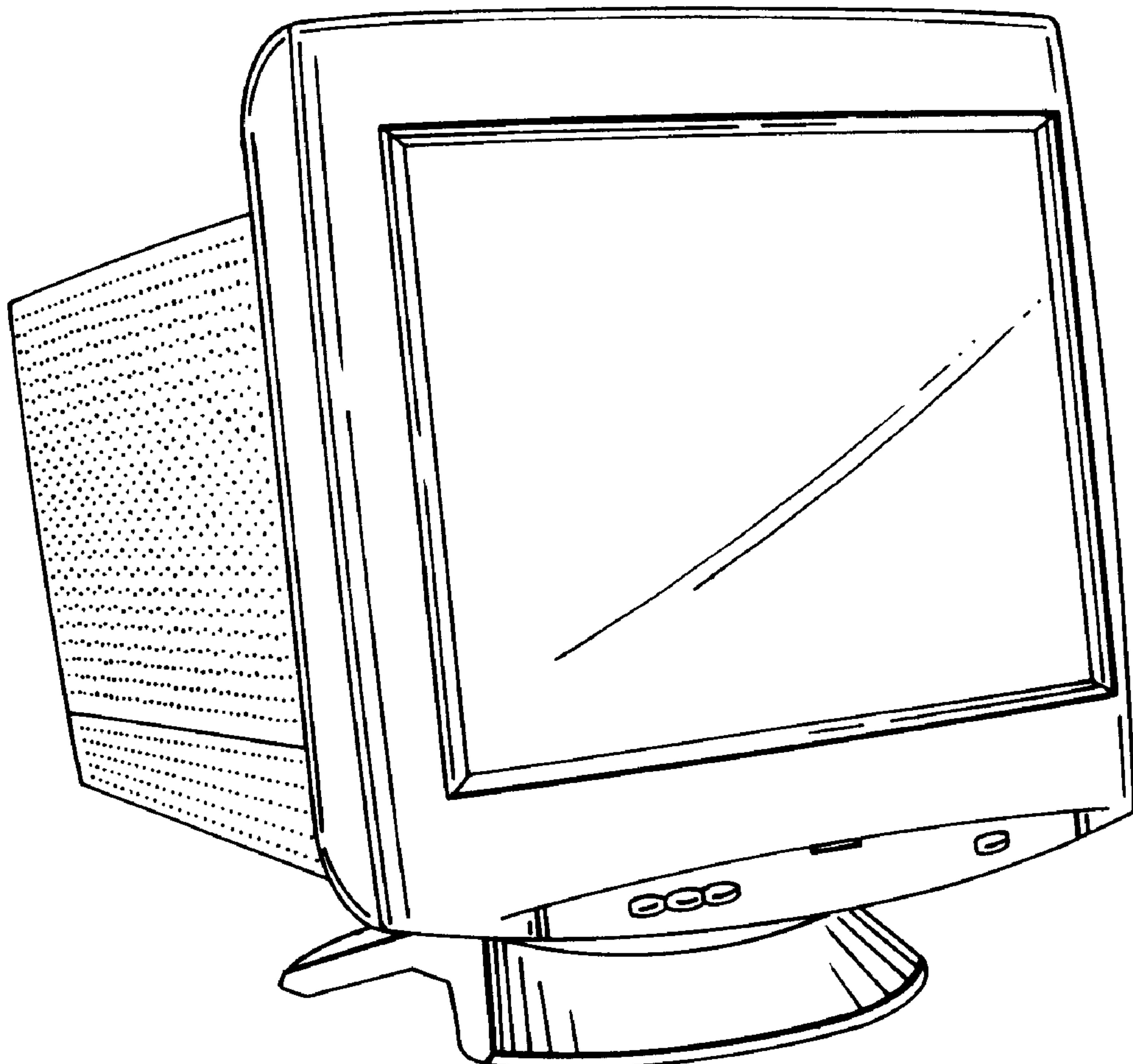
FIG. 7 is a bottom plan view thereof.

[56] **References Cited**

U.S. PATENT DOCUMENTS

D. 388,408 12/1997 Takemasa et al. D14/113

1 Claim, 4 Drawing Sheets



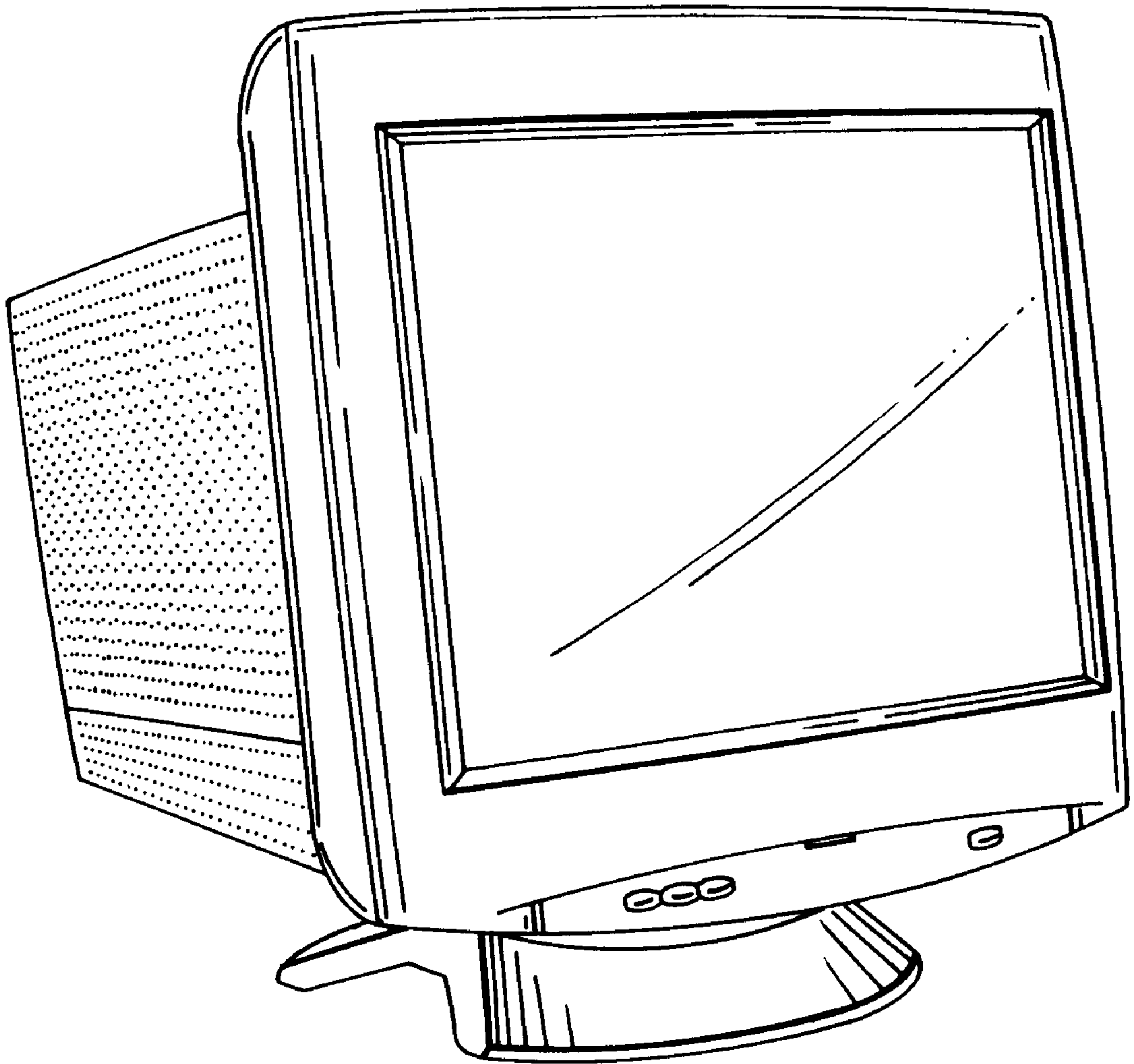


FIG. 1

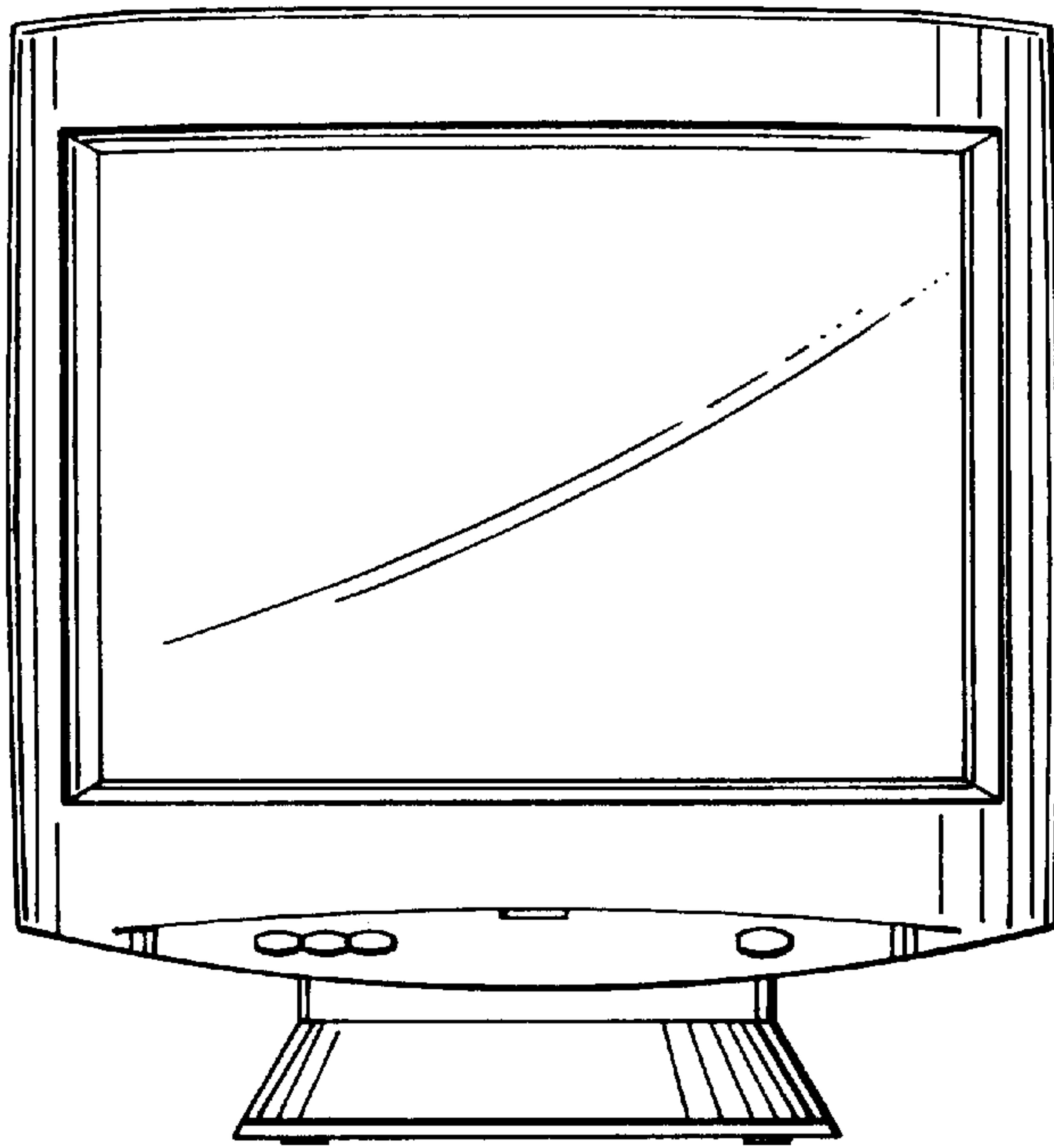


FIG. 2

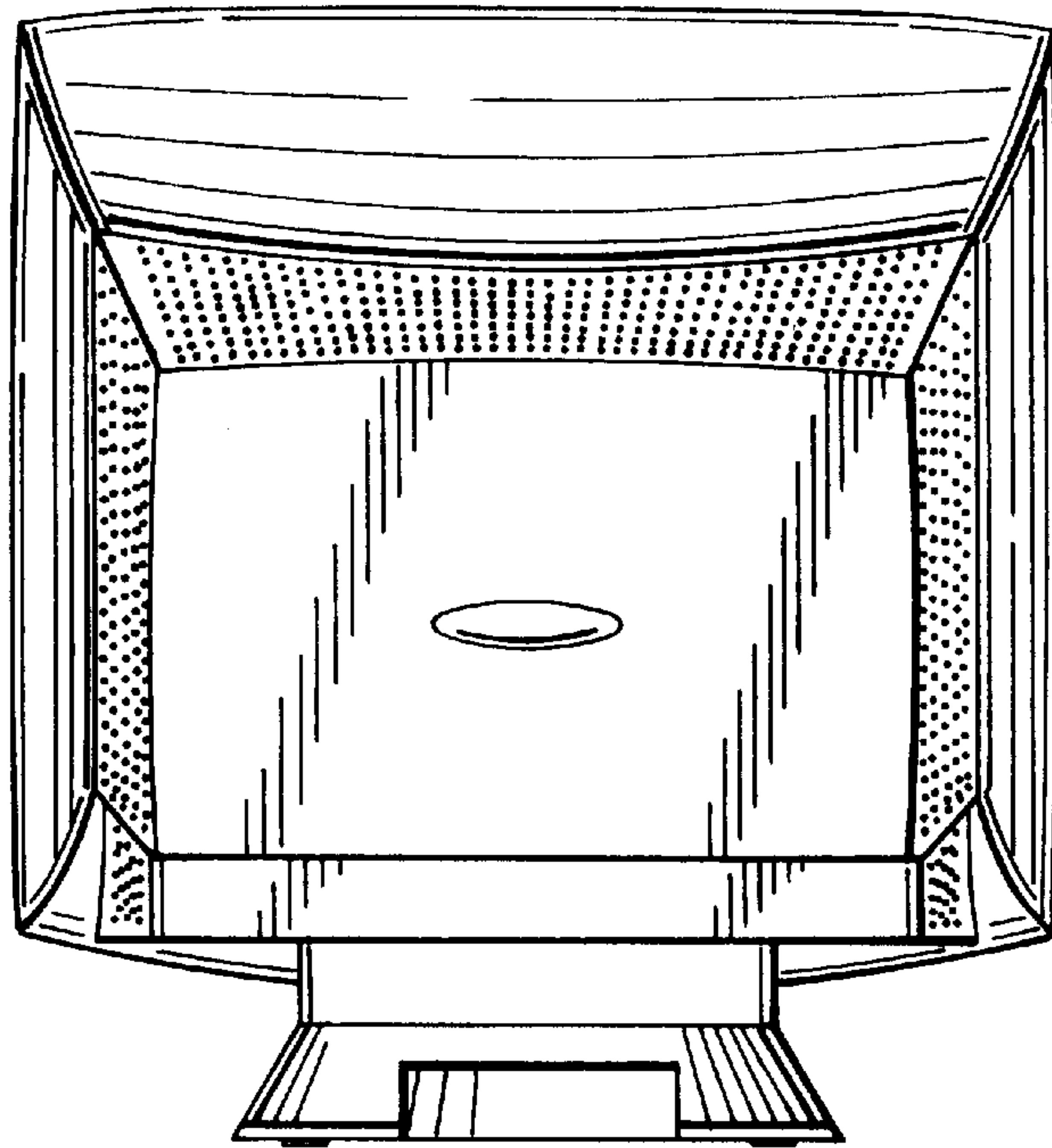


FIG. 3

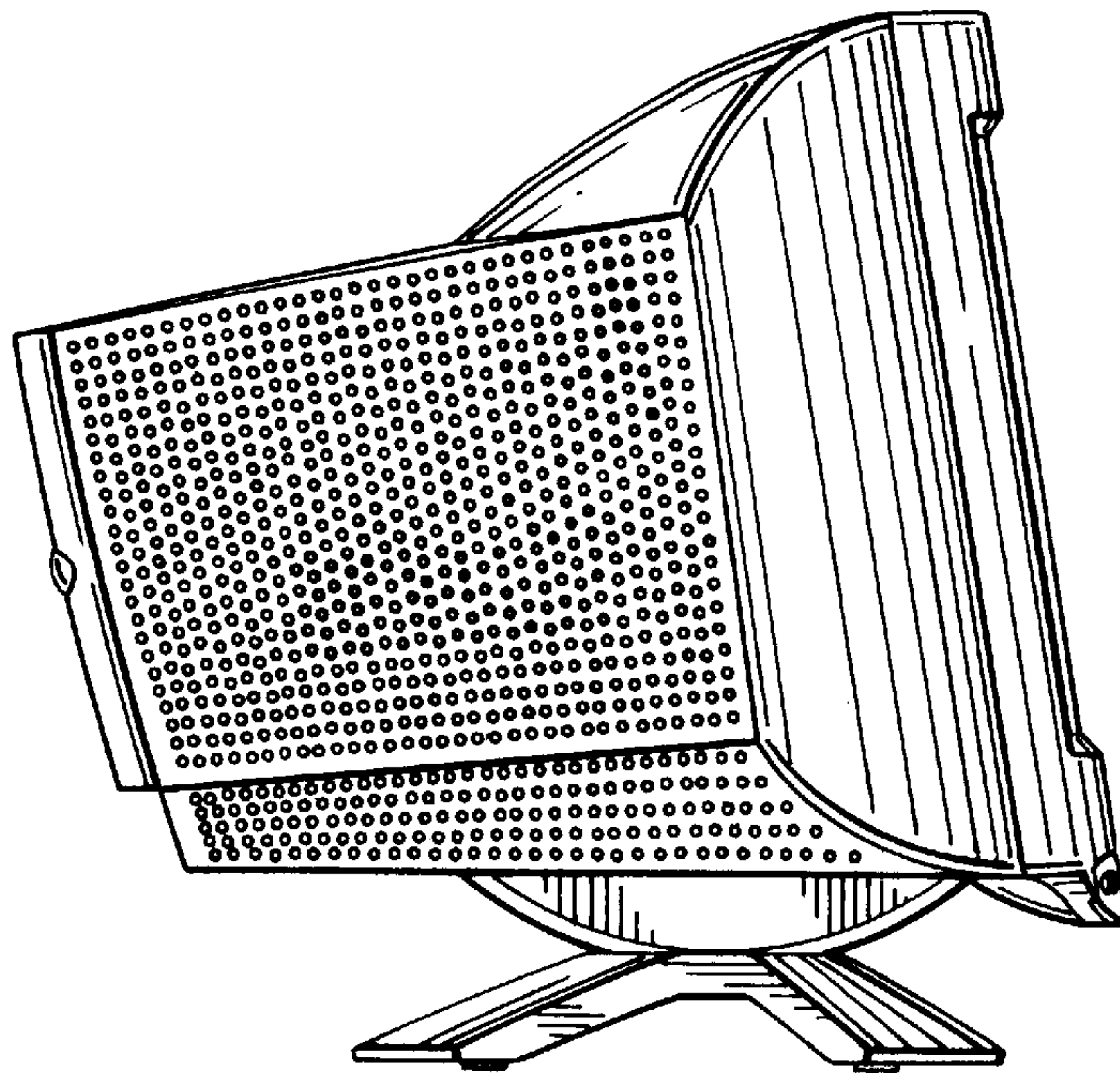


FIG. 4

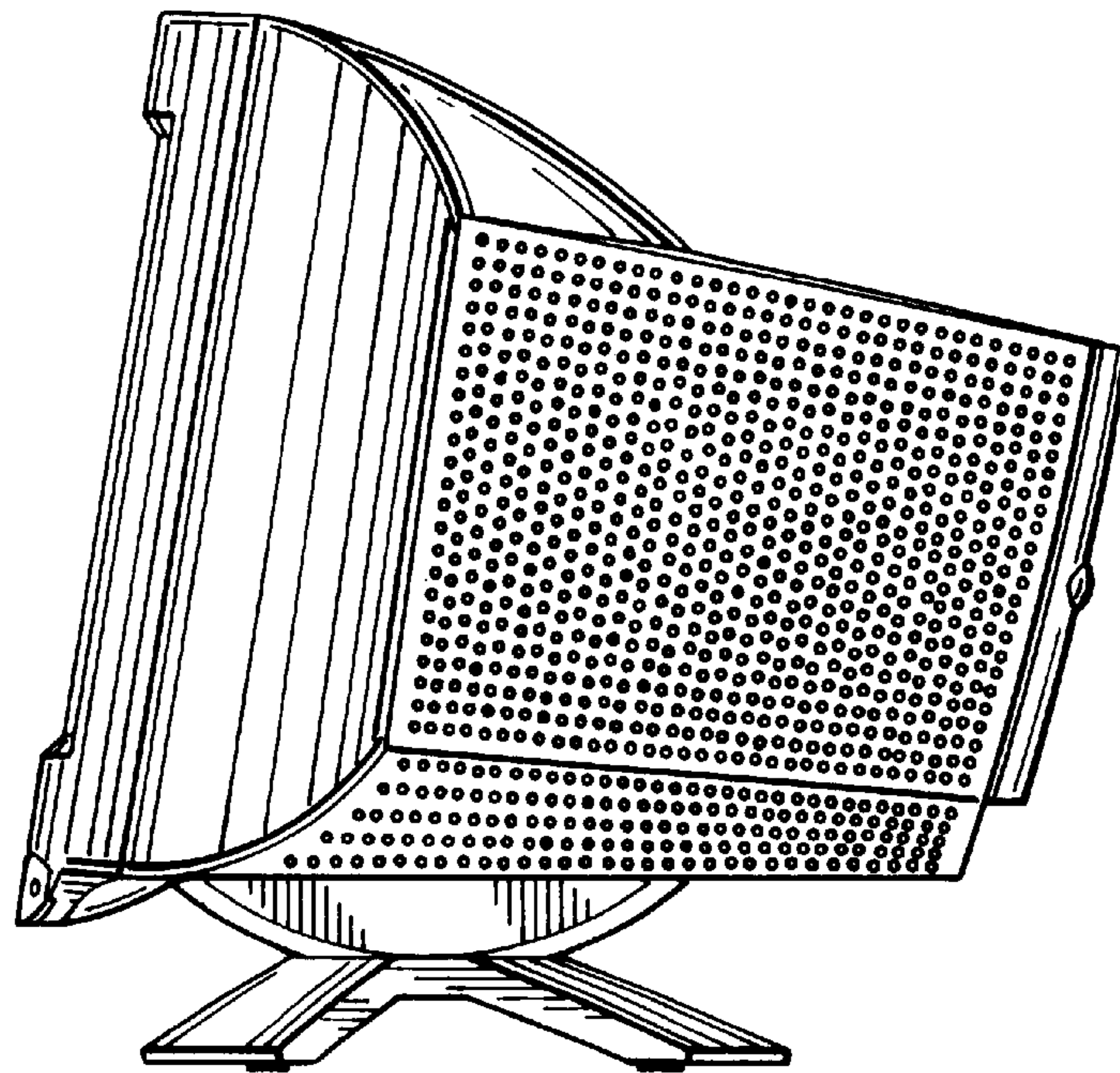


FIG. 5

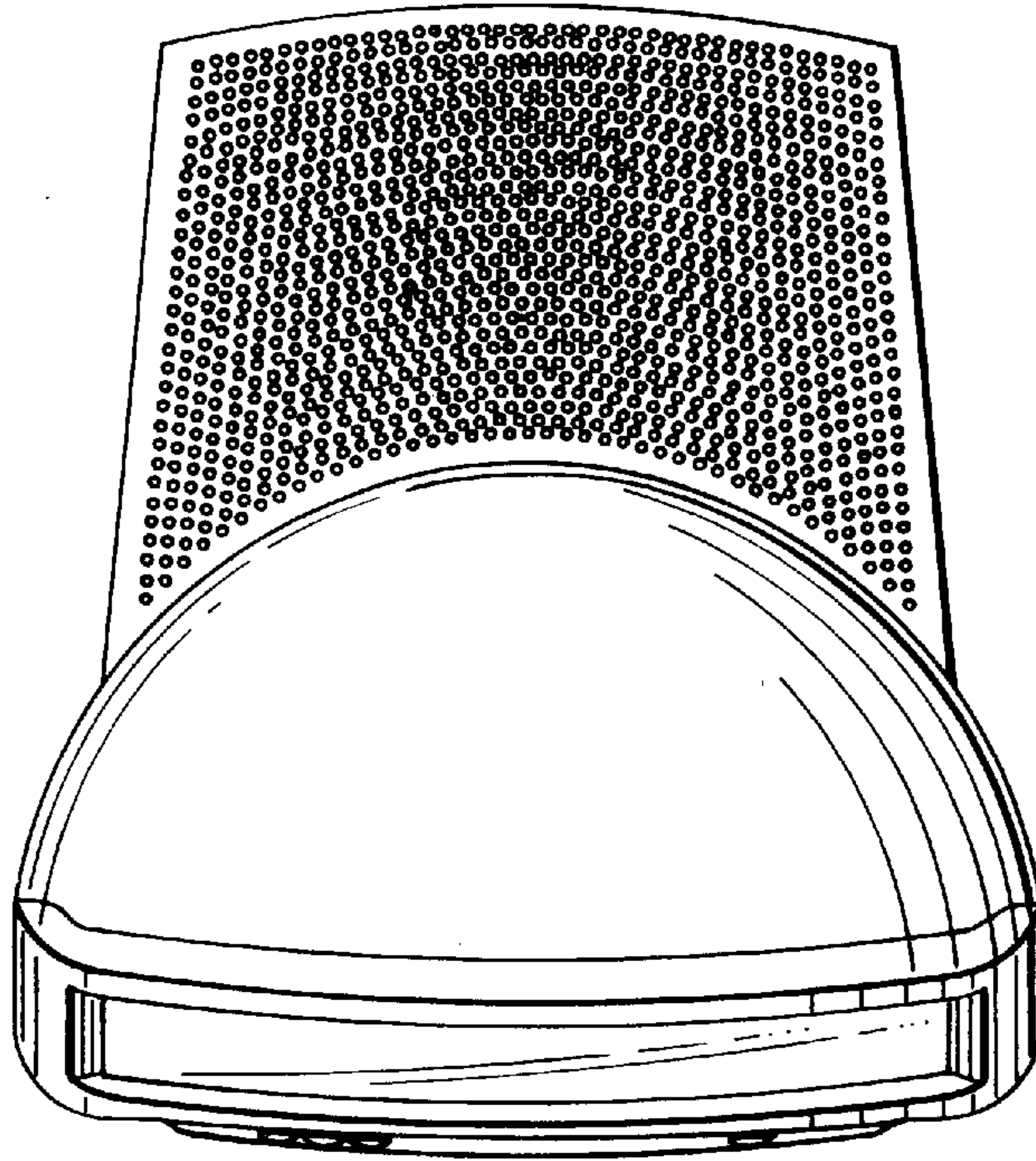


FIG. 6

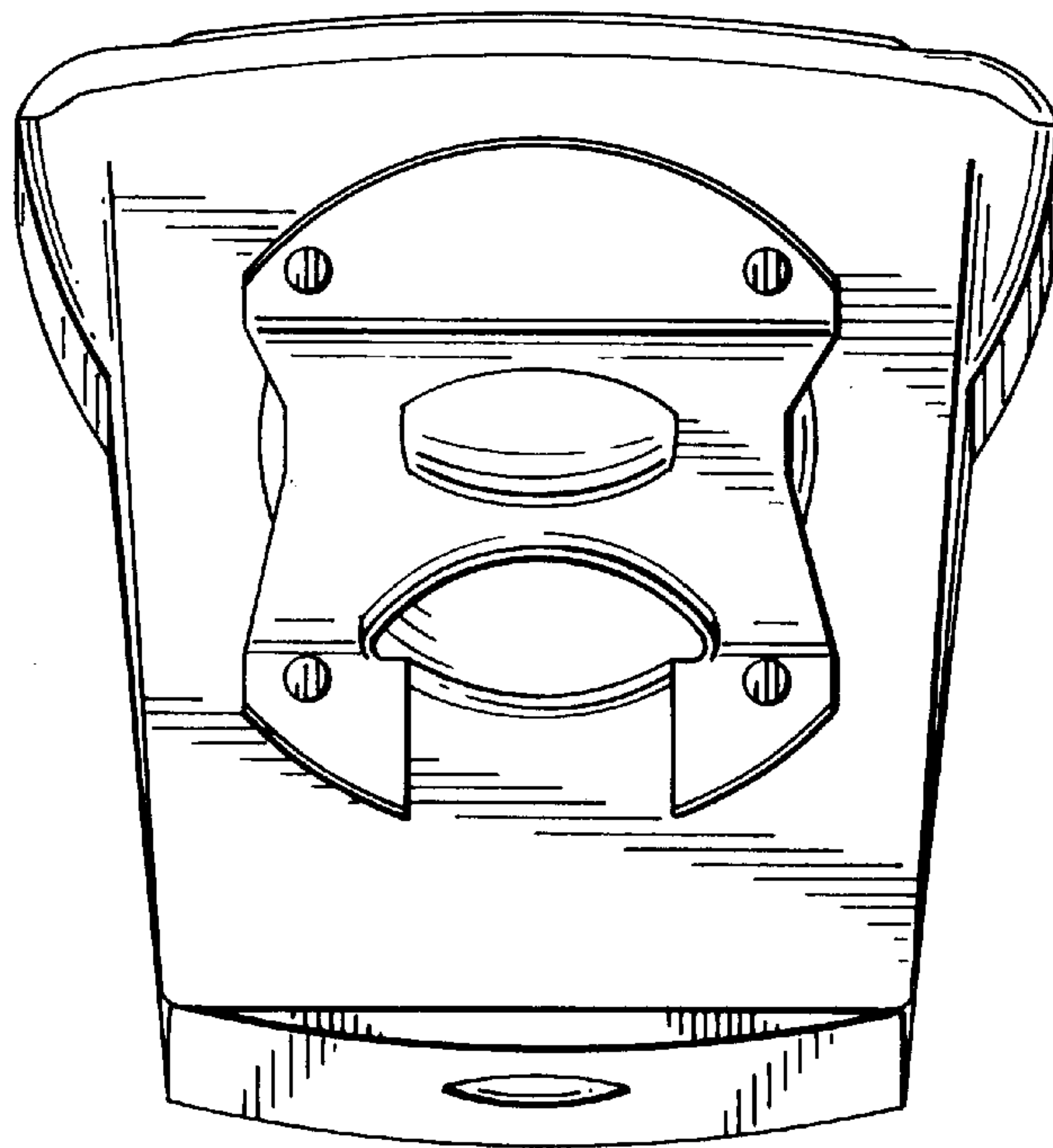


FIG. 7