



US00D411834S

United States Patent [19]
Liu

[11] **Patent Number: Des. 411,834**

[45] **Date of Patent: ** Jul. 6, 1999**

[54] **FLAT BED SCANNER**

[75] Inventor: **Jin De Liu**, Taipei, Taiwan

[73] Assignee: **Silitek Corporation**, Taipei, Taiwan

[**] Term: **14 Years**

[21] Appl. No.: **29/094,019**

[22] Filed: **Sep. 24, 1998**

[51] **LOC (6) Cl.** **14-02**

[52] **U.S. Cl.** **D14/107**

[58] **Field of Search** D14/100, 105,
D14/107, 118; D18/36, 37, 39, 54; D16/208,
214; 250/556; 355/64, 65, 75, 81; 235/454,
470, 476

[56] **References Cited**

U.S. PATENT DOCUMENTS

D. 370,893 6/1996 Chen et al. D14/107

D. 380,742 7/1997 Van De Loo D14/107
D. 388,773 1/1998 Chang et al. D14/107
D. 389,468 1/1998 Chang et al. D14/107

Primary Examiner—Freda Nunn
Attorney, Agent, or Firm—Rosenberg, Klein & Bilker

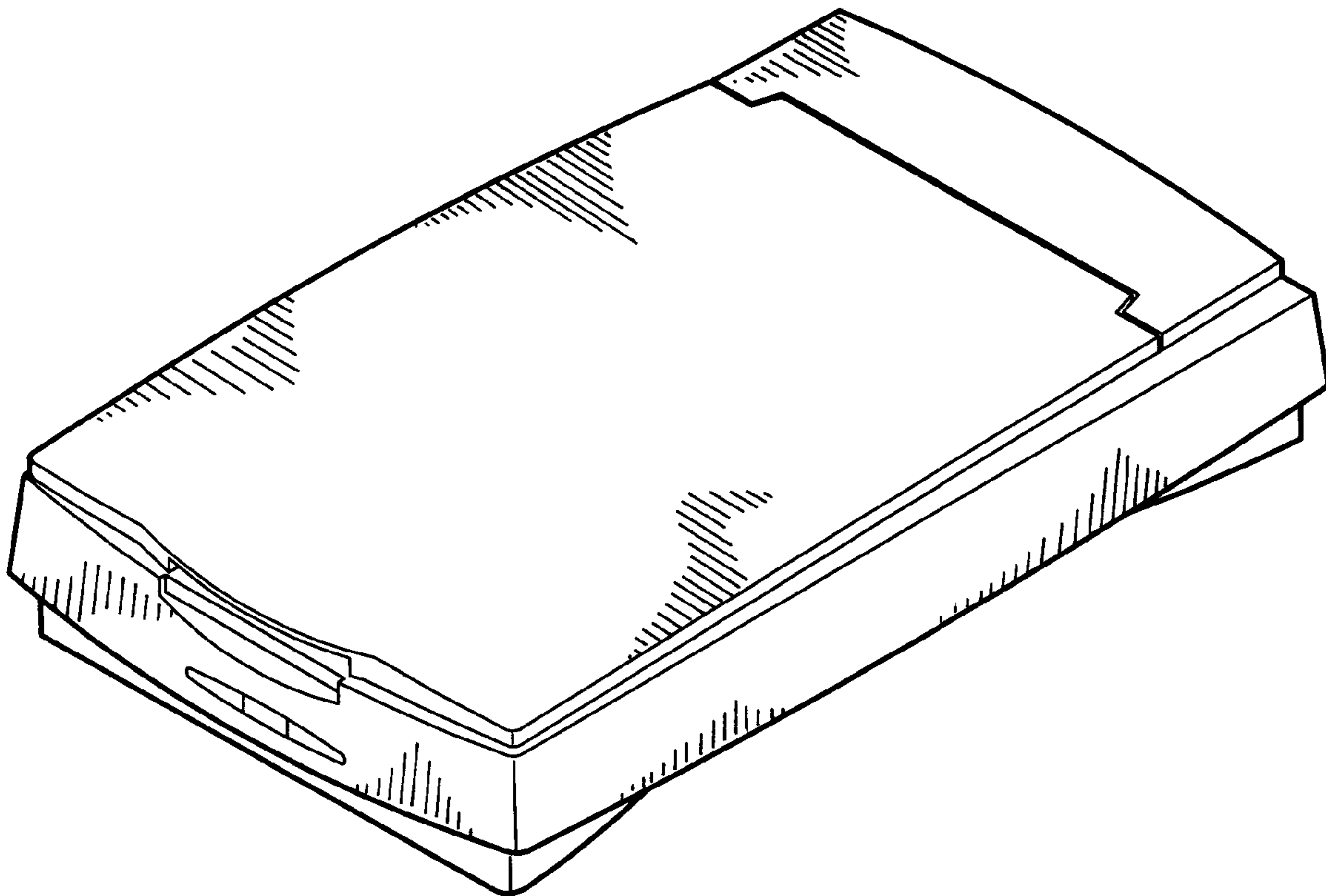
[57] **CLAIM**

The ornamental design for a flat bed scanner, as shown and described.

DESCRIPTION

FIG. 1 is the perspective view of a flat bed scanner showing my new design;
FIG. 2 is the front view thereof;
FIG. 3 is the rear view thereof;
FIG. 4 is the left side view thereof;
FIG. 5 is the right side view thereof;
FIG. 6 is the top view thereof; and,
FIG. 7 is the bottom view thereof.

1 Claim, 4 Drawing Sheets



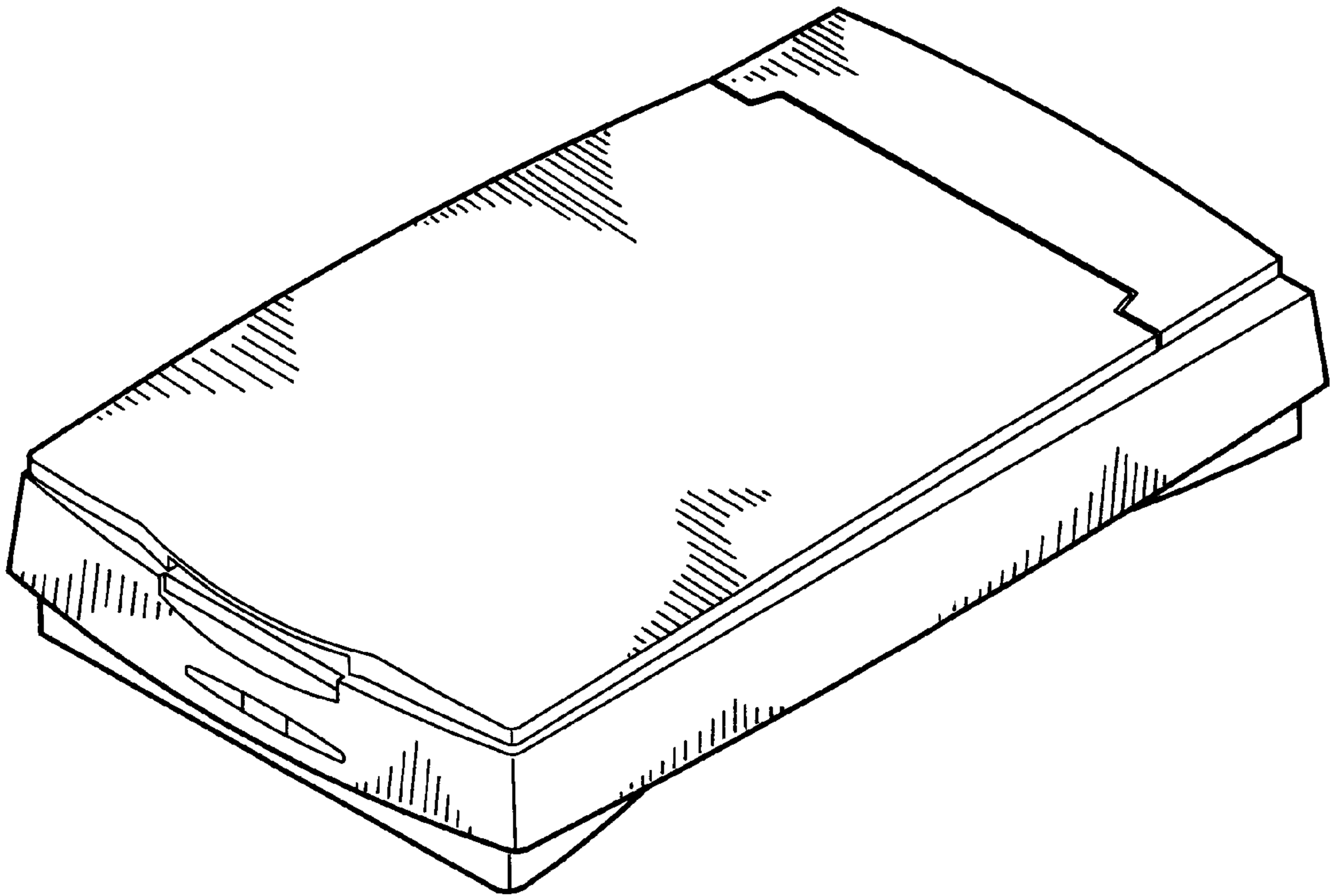


FIG. 1

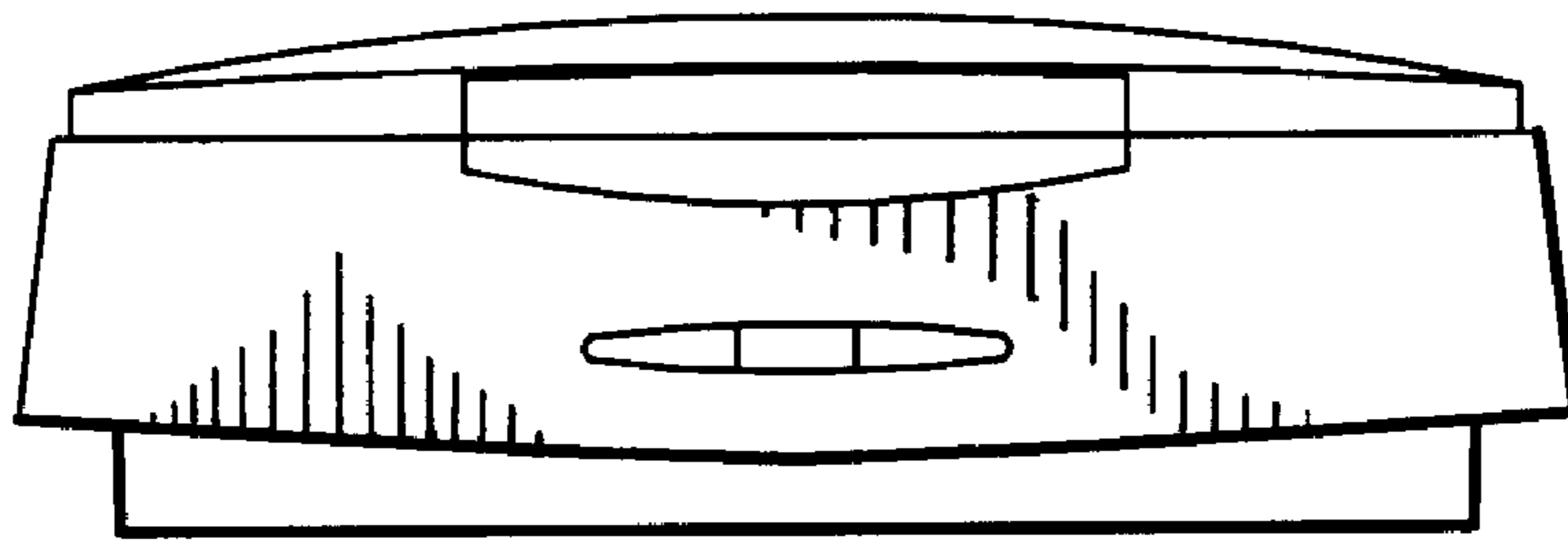


FIG. 2

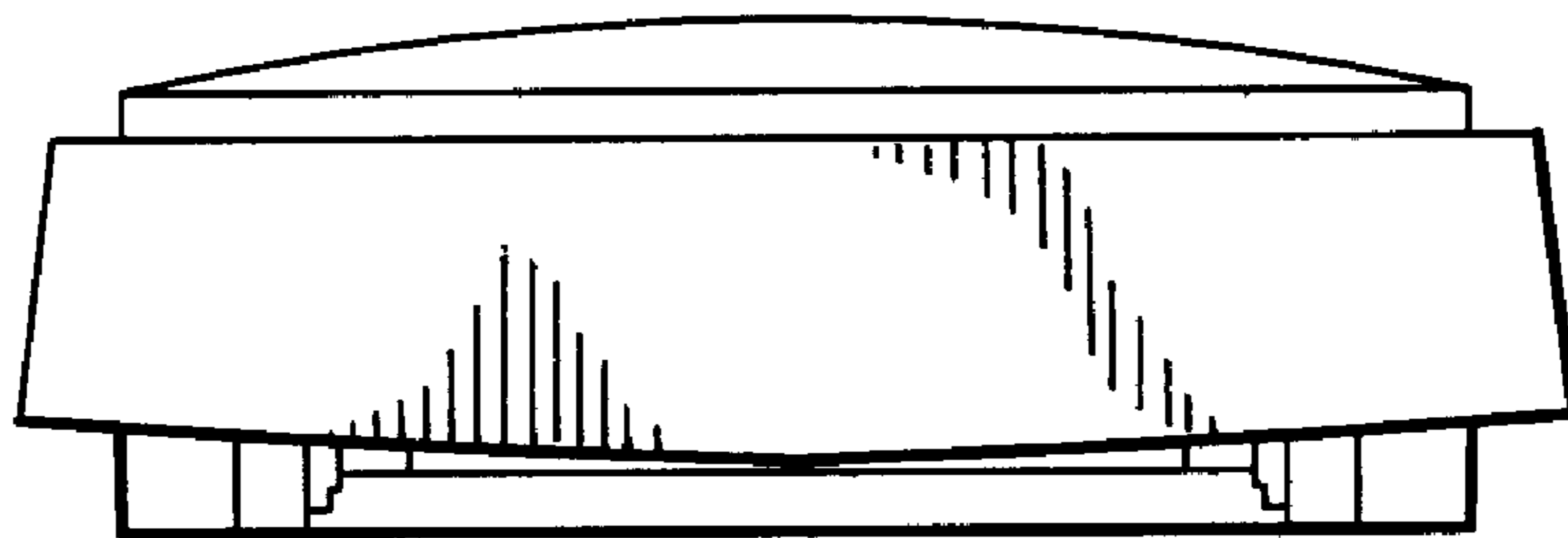


FIG. 3

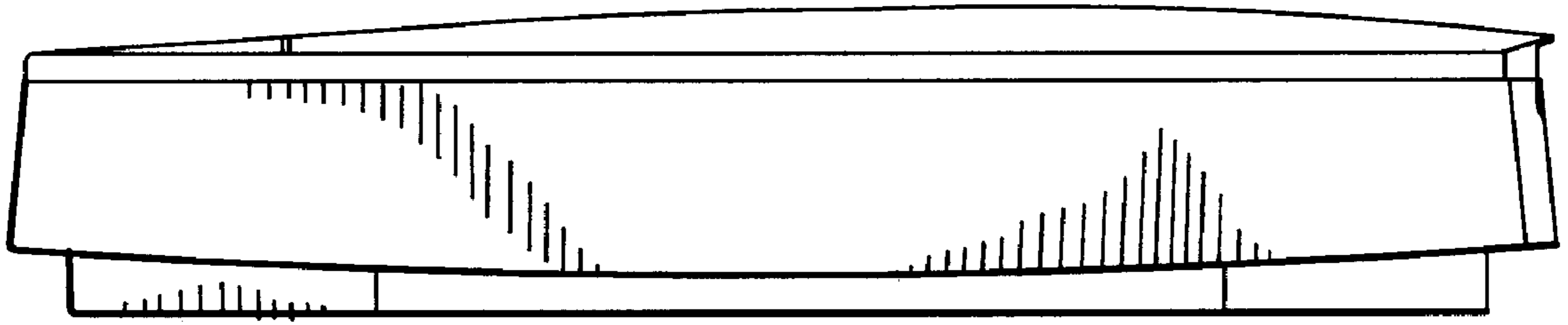


FIG. 4

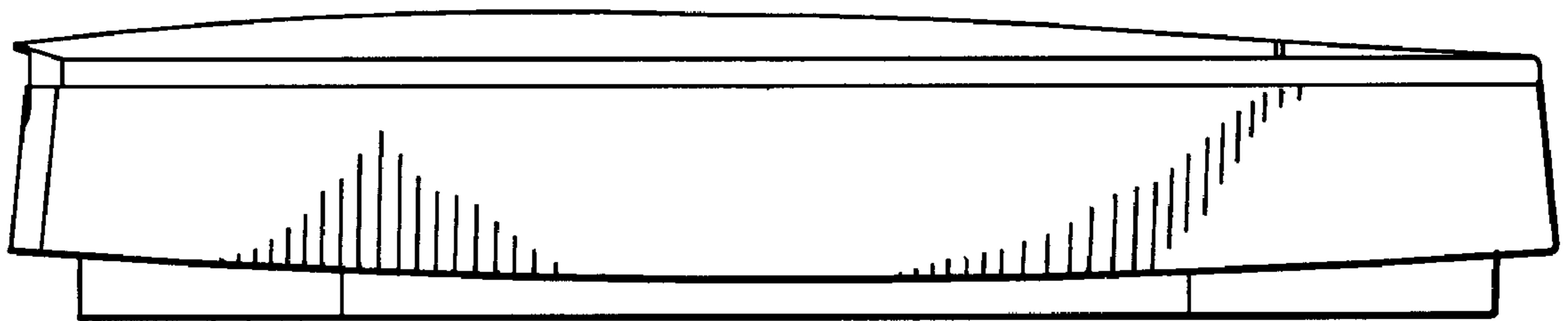


FIG. 5

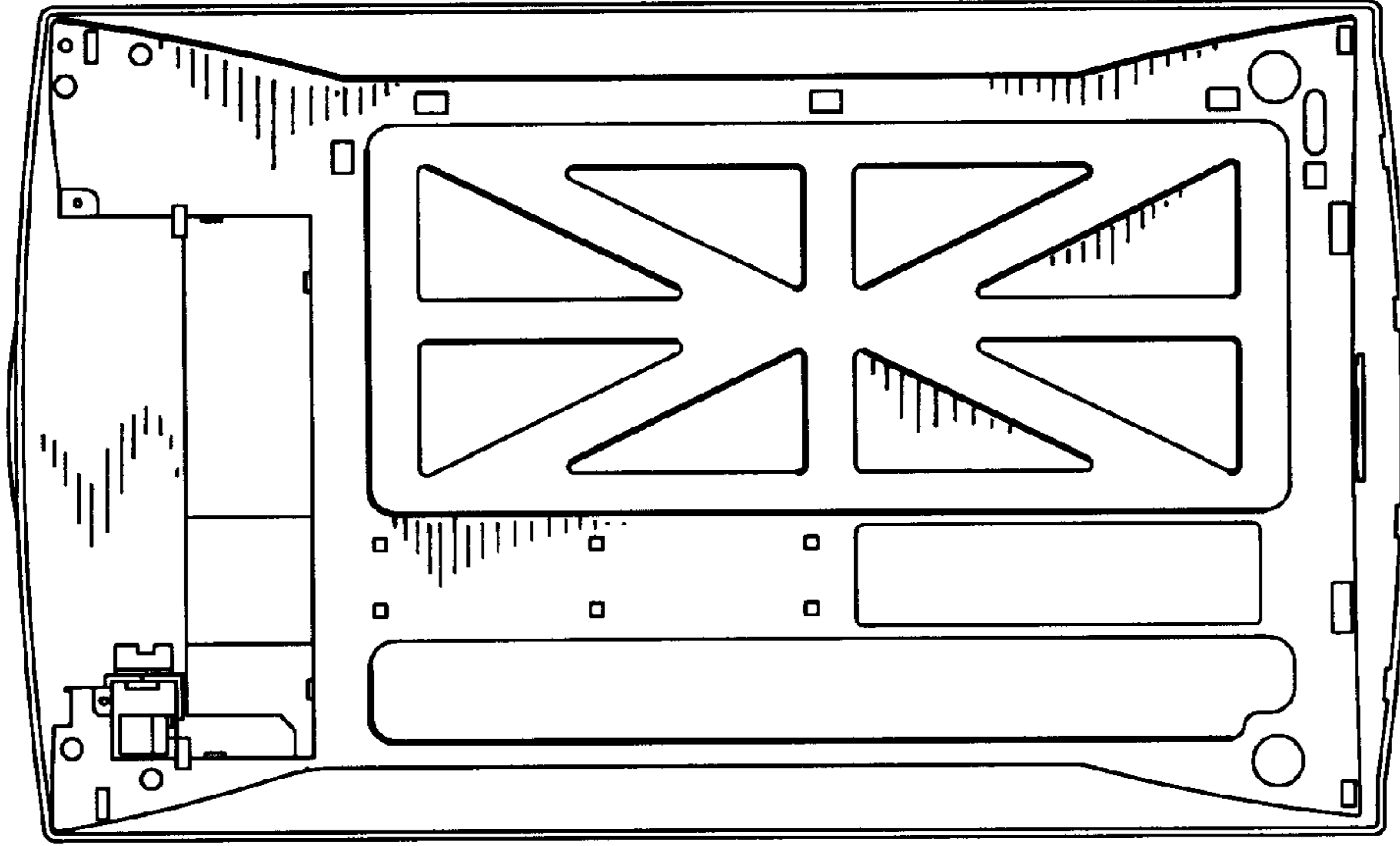


FIG. 7

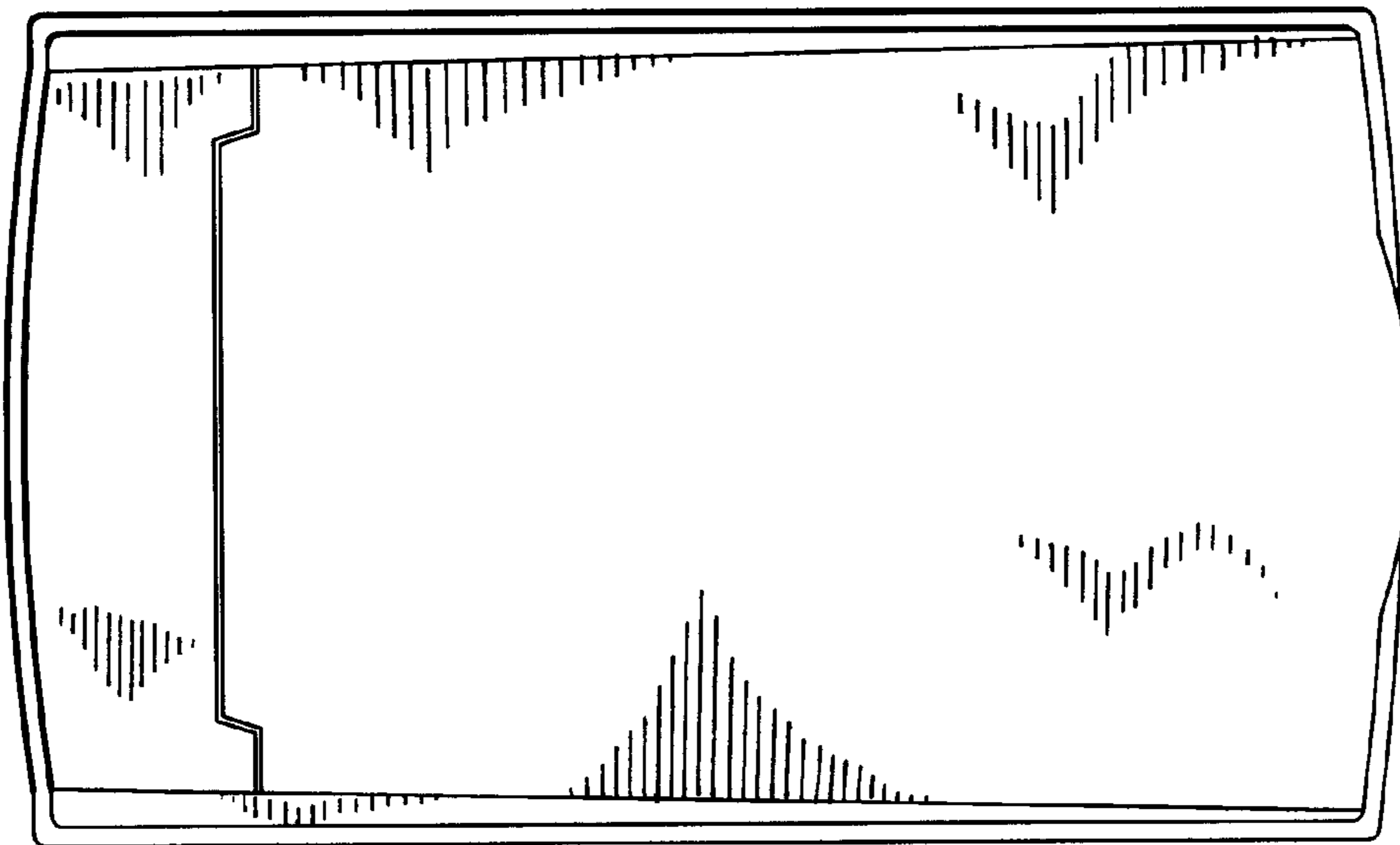


FIG. 6