



US00D411828S

United States Patent [19] Min

[11] **Patent Number: Des. 411,828**

[45] **Date of Patent: ** Jul. 6, 1999**

[54] **SOCKET**

5,387,118 2/1995 Kishi et al. 439/331 X
5,458,499 10/1995 Matsuoka 439/331 X
5,718,595 2/1998 Tohyama et al. 439/330

[75] Inventor: **Byung Jun Min**, Cheonan, Rep. of Korea

[73] Assignee: **Samsung Electronics Co., Ltd.**, Rep. of Korea

Primary Examiner—Joel Sincavage
Attorney, Agent, or Firm—Irving Keschner

[**] Term: **14 Years**

[57] CLAIM

[21] Appl. No.: **29/089,668**

The ornamental design for socket, as shown and described.

[22] Filed: **Jun. 19, 1998**

DESCRIPTION

[30] Foreign Application Priority Data

Mar. 6, 1998 [KR] Rep. of Korea 98-3274

FIG. 1 is a front and upper right perspective view of a socket showing my new design;

[51] **LOC (6) Cl.** **13-03**

FIG. 2 is a front elevational view thereof, the rear being a mirror image;

[52] **U.S. Cl.** **D13/147**

FIG. 3 is a left side elevational view thereof;

[58] **Field of Search** D13/147; 439/59, 439/69, 70, 74, 264, 267, 330, 331

FIG. 4 is a top plan view thereof; and,

FIG. 5 is a bottom plan view thereof.

[56] References Cited

U.S. PATENT DOCUMENTS

D. 271,197 11/1983 Jones et al. D13/147

1 Claim, 2 Drawing Sheets

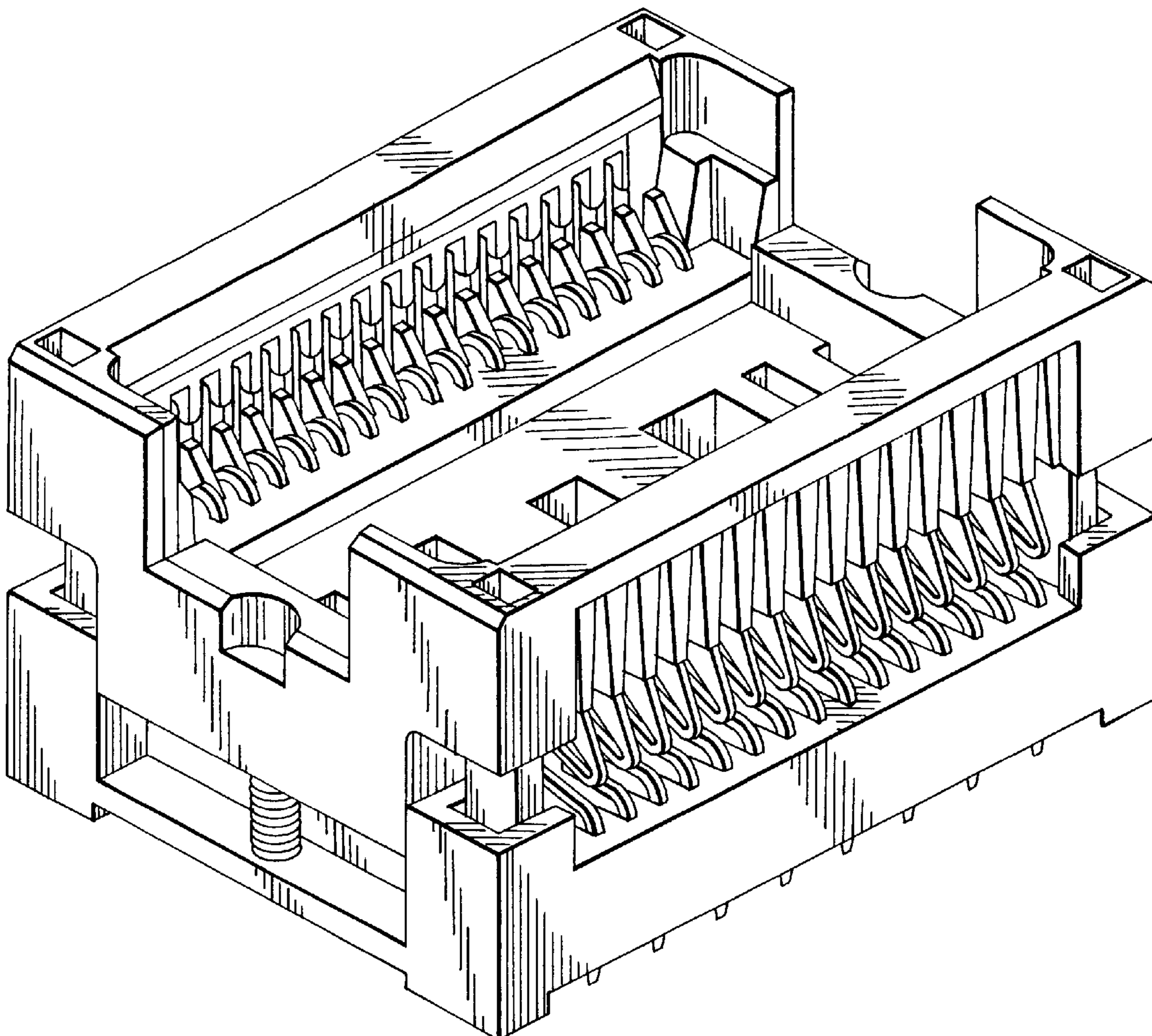


FIG. 1

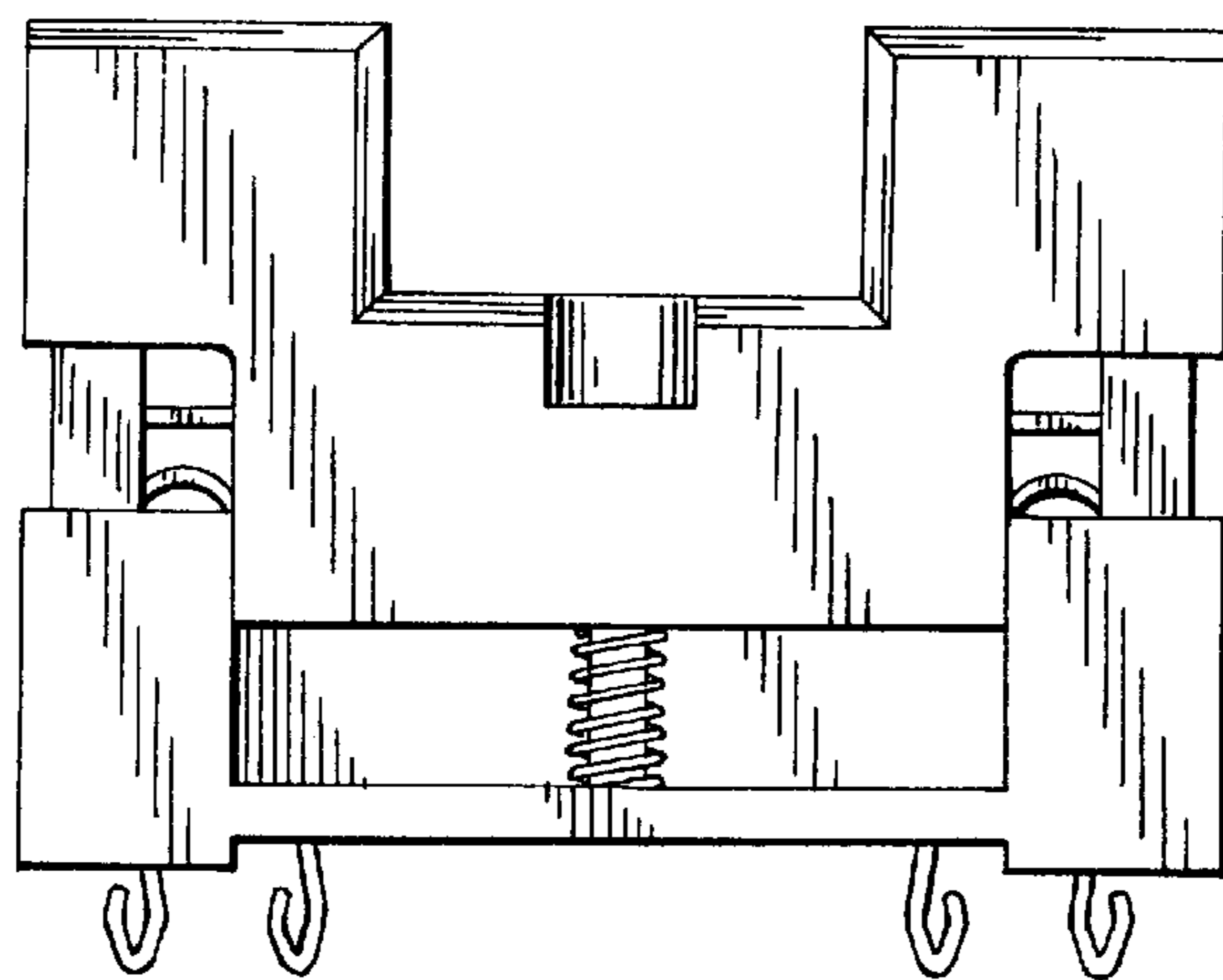
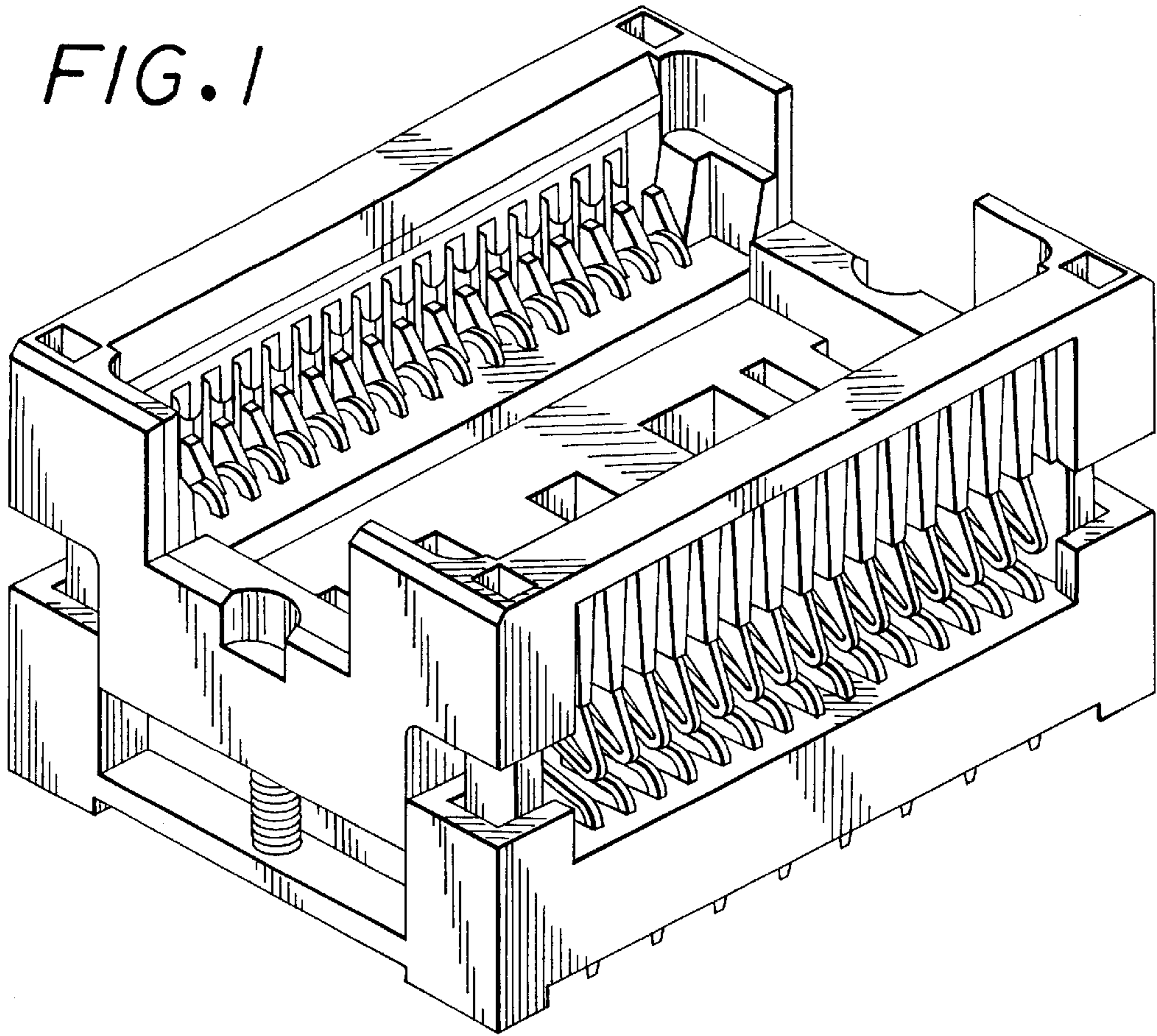


FIG. 2

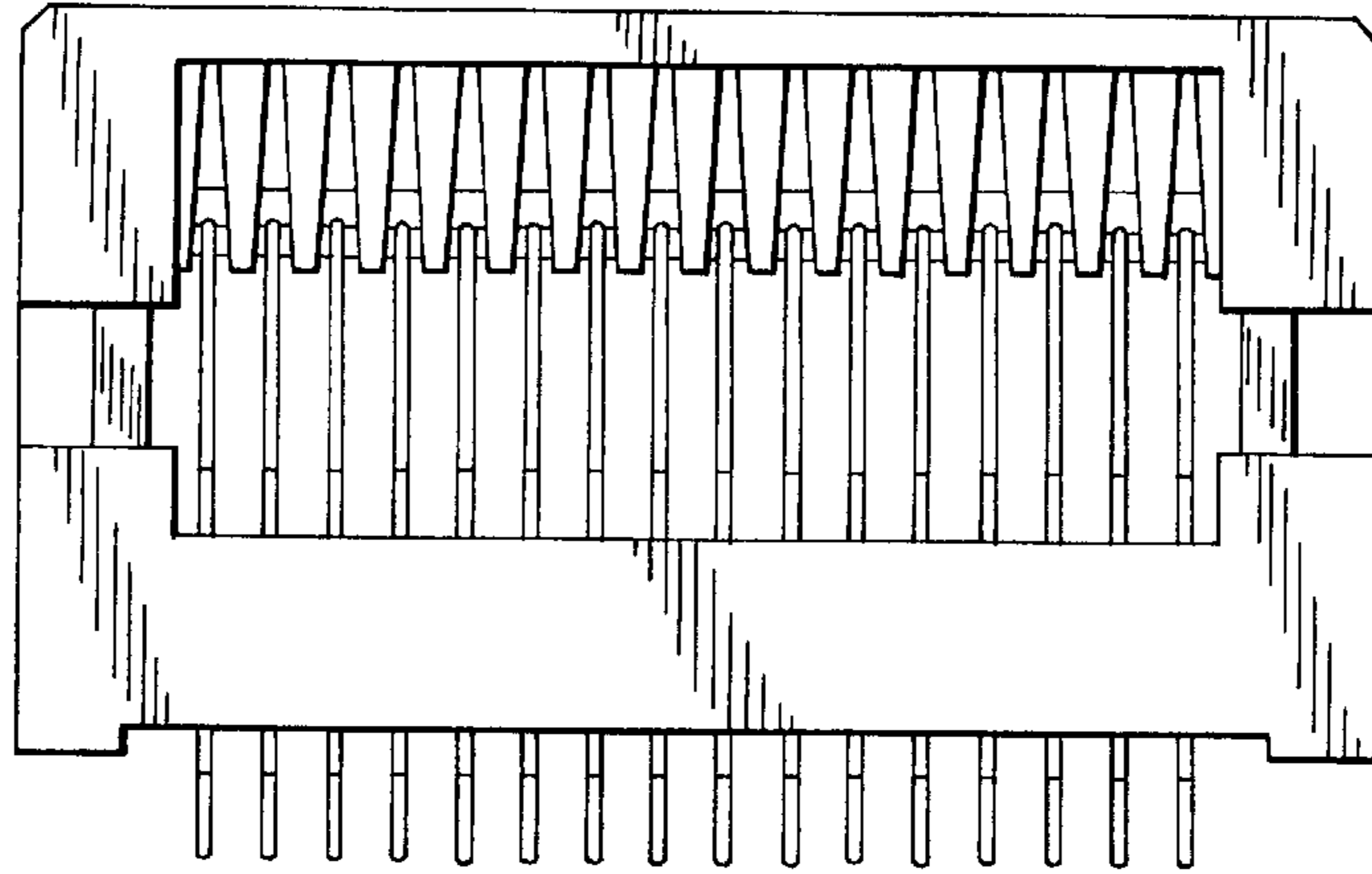


FIG. 3

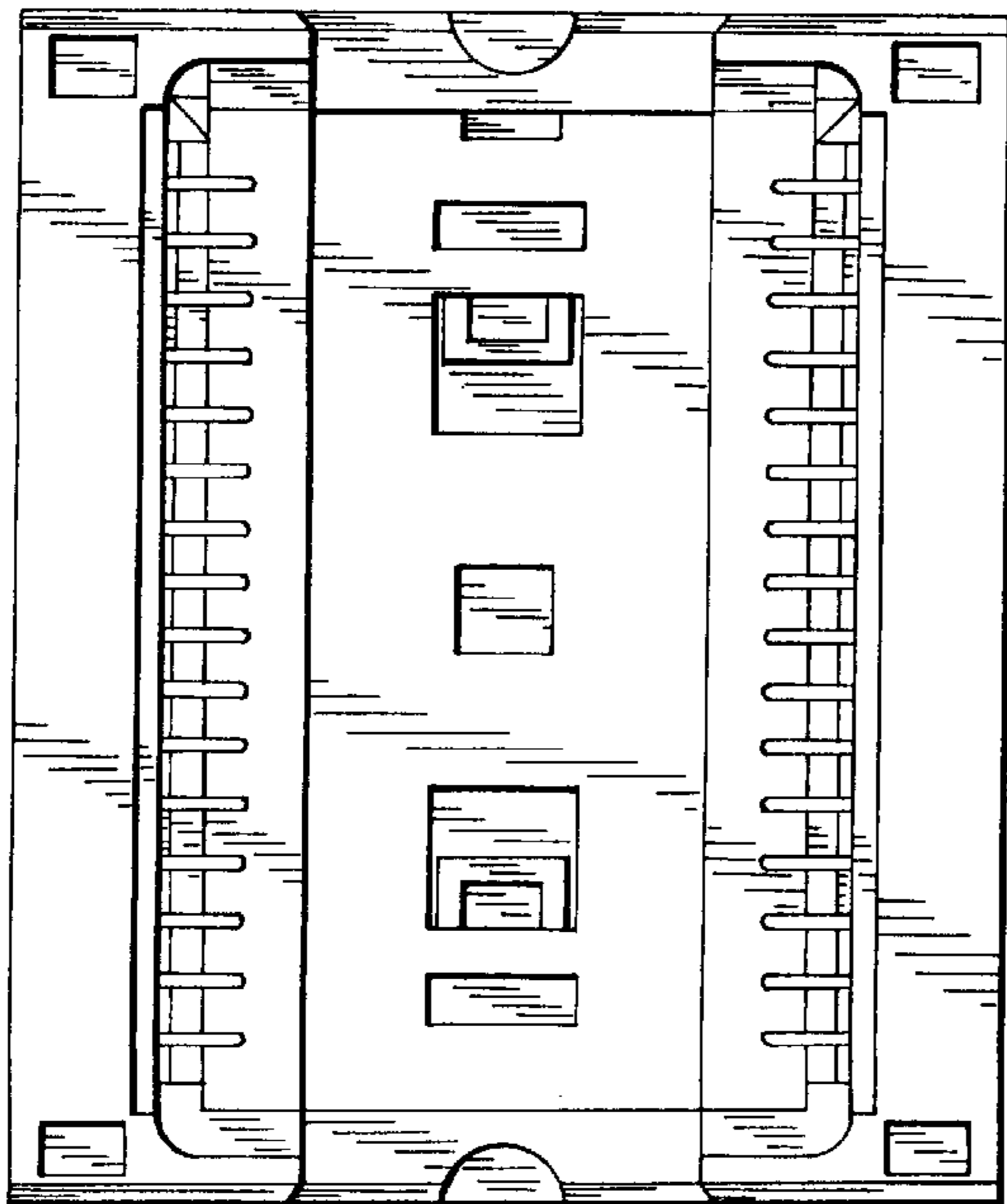


FIG. 4

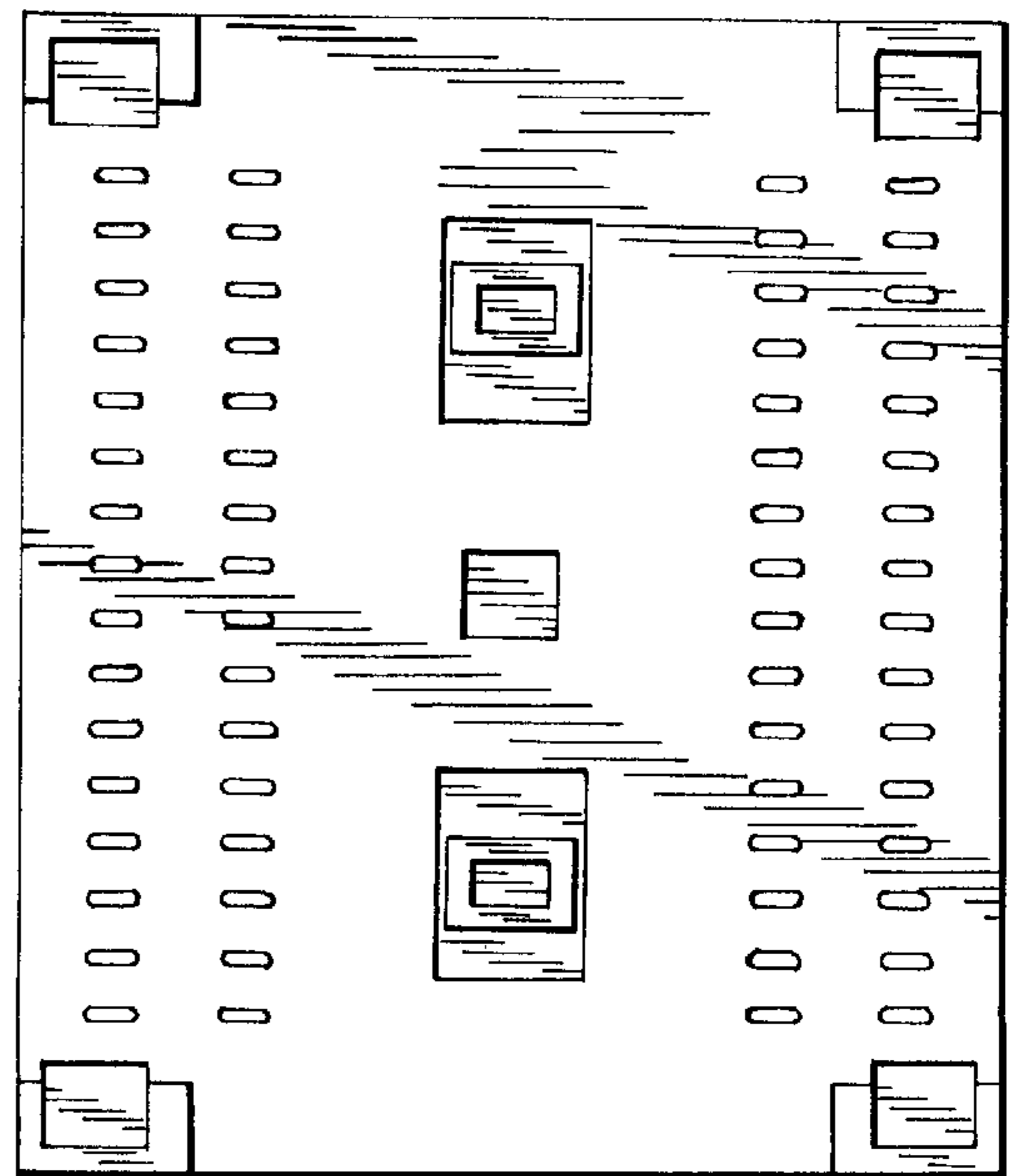


FIG. 5