



US00D411827S

United States Patent [19]
Gilliland et al.

[11] **Patent Number: Des. 411,827**
[45] **Date of Patent: ** Jul. 6, 1999**

[54] **MEDIA INTERFACE ADAPTER**
[75] Inventors: **Patrick B. Gilliland**, Chicago; **Daniel S. Poplawski**, Montgomery, both of Ill.

D. 372,708 8/1996 Hetherington D13/147 X
5,348,494 9/1994 Falossi et al. 439/362
5,383,795 1/1995 Falossi et al. 439/362
5,394,503 2/1995 Dietz, Jr. et al. 385/135
5,628,653 5/1997 Haas et al. 439/638 X

[73] Assignee: **Methode Electronics, Inc.**, Chicago, Ill.

Primary Examiner—Joel Sincavage
Attorney, Agent, or Firm—David L. Newman

[**] Term: **14 Years**

[57] **CLAIM**

[21] Appl. No.: **29/070,319**

The ornamental design for a media interface adapter, as shown and described.

[22] Filed: **May 6, 1997**

[51] **LOC (6) Cl.** **13-03**

[52] **U.S. Cl.** **D13/147**

[58] **Field of Search** D13/146, 147;
D14/114; 439/540.1, 535, 638, 639, 653,
362; 385/135

DESCRIPTION

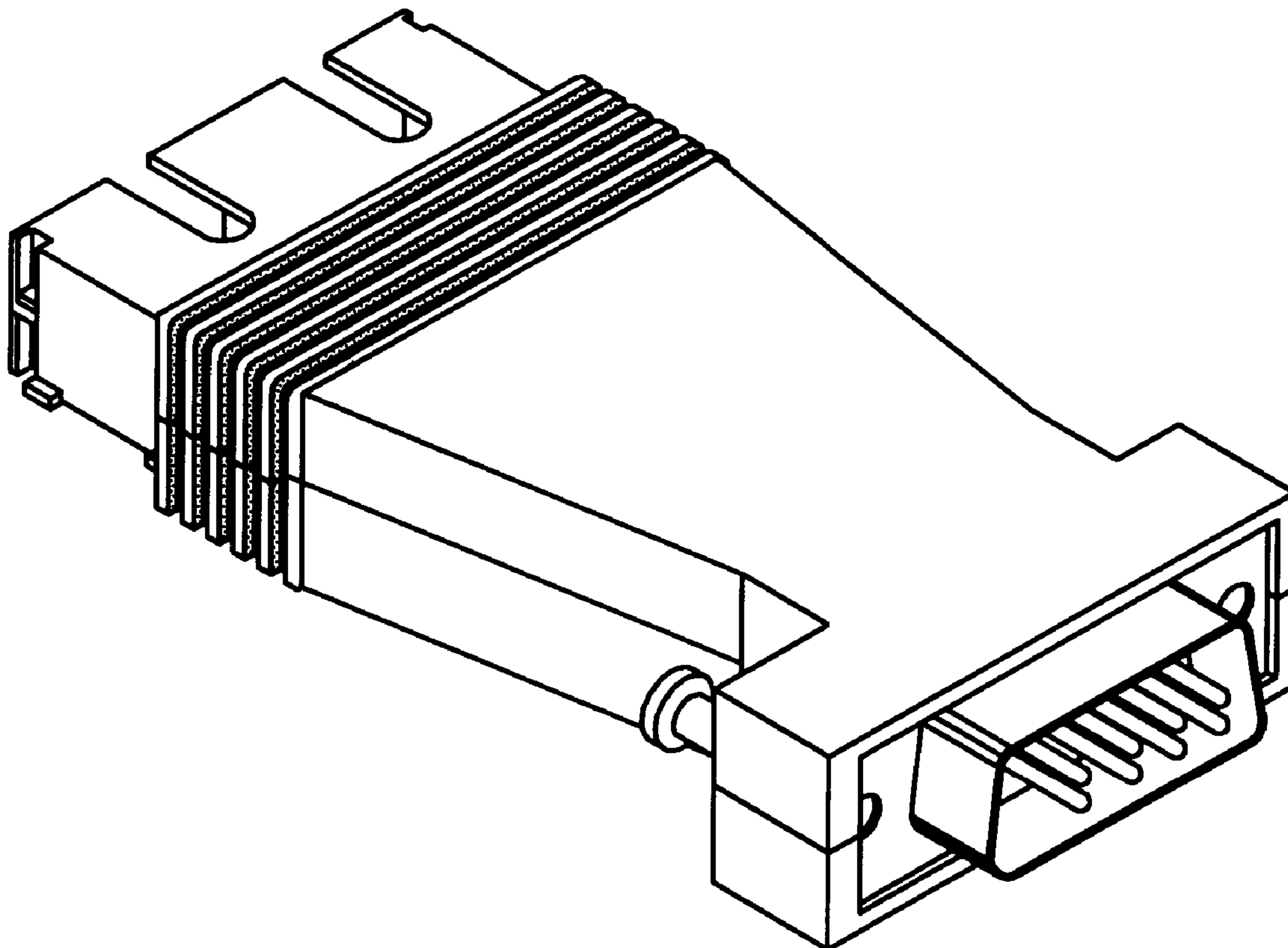
FIG. 1 is a rear and upper right perspective view of a media interface adapter showing our new design; and, FIG. 2 is a front and upper left perspective view thereof. The adapter as seen from the bottom forms no part of the claimed design.

[56] **References Cited**

U.S. PATENT DOCUMENTS

D. 312,816 12/1990 Huang D13/147

1 Claim, 2 Drawing Sheets



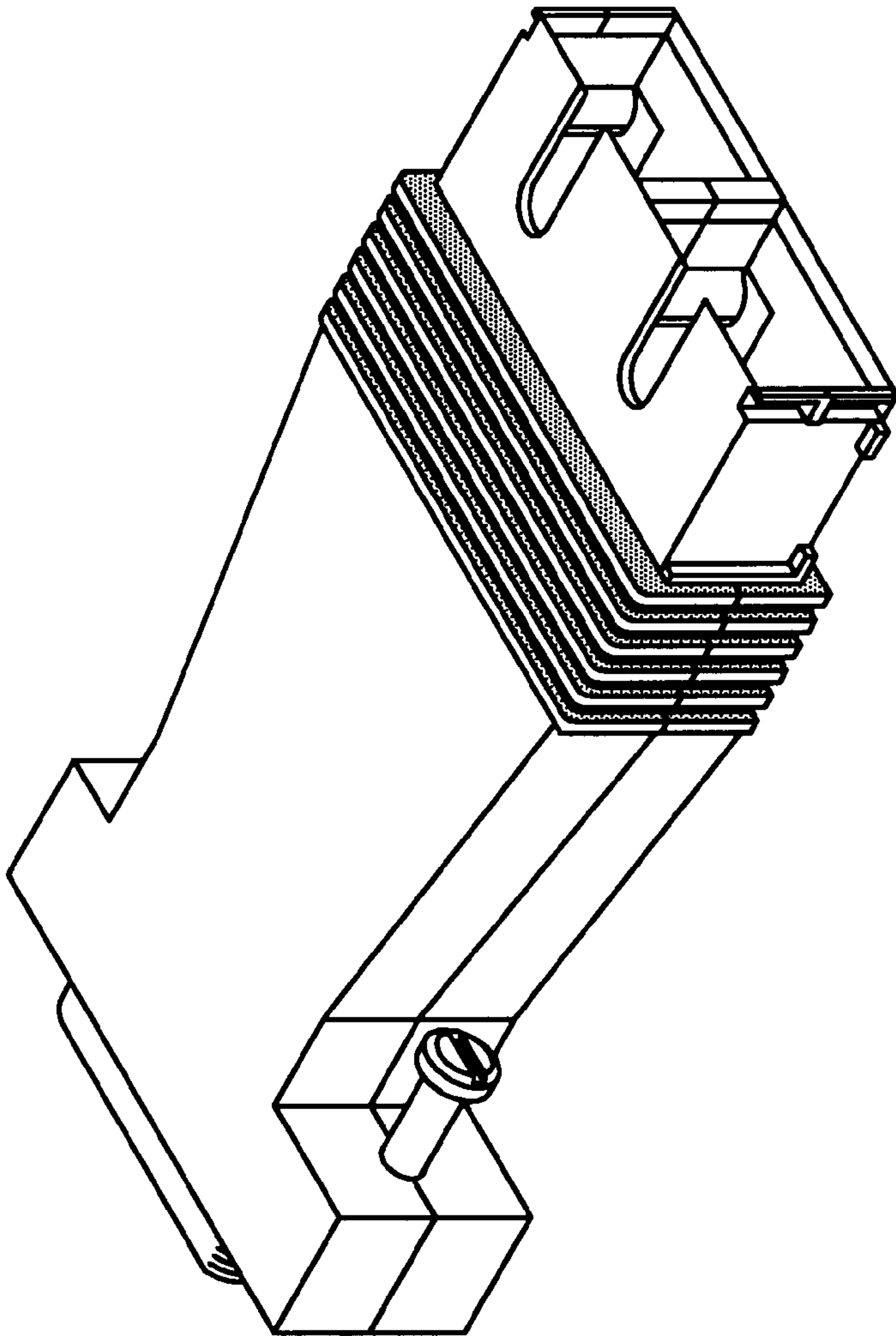


Fig. 1

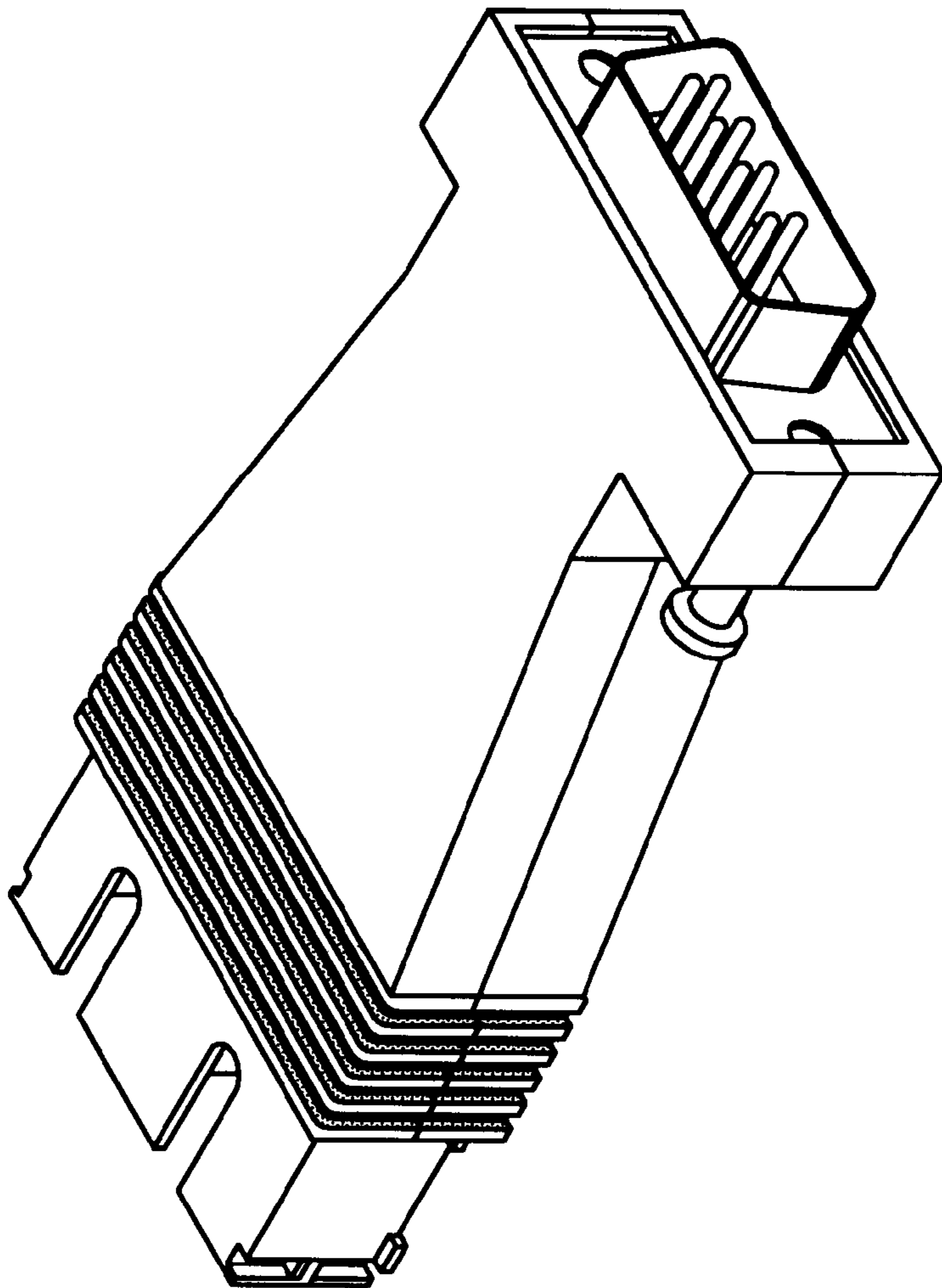


Fig. 2