



US00D411822S

# United States Patent [19] Ellis

[11] **Patent Number: Des. 411,822**  
[45] **Date of Patent: \*\* Jul. 6, 1999**

[54] **CEILING-MOUNTED CONSOLE**  
[75] Inventor: **Paul R. Ellis**, Eugene, Oreg.  
[73] Assignee: **Rosen Product Development, Inc.**, Eugene, Oreg.  
[\*\*] Term: **14 Years**  
[21] Appl. No.: **29/091,910**  
[22] Filed: **Aug. 7, 1998**  
[51] **LOC (6) Cl.** ..... **12-16**  
[52] **U.S. Cl.** ..... **D12/418**  
[58] **Field of Search** ..... D12/400, 415, D12/418; D14/100, 113, 124-134; D3/304; 296/37.1, 37.7, 37.8; 224/311; 439/34

D. 394,432 5/1998 Rosen ..... D14/132  
D. 399,503 10/1998 Rosen ..... D14/132  
5,040,990 8/1991 Suman et al. .... 296/37.7 X  
5,775,762 7/1998 Vitito ..... 296/37.7

*Primary Examiner*—Doris V. Coles  
*Assistant Examiner*—Stacia Sinuik  
*Attorney, Agent, or Firm*—Kolisch, Hartwell, Dickinson, McCormack & Heuser

### [57] CLAIM

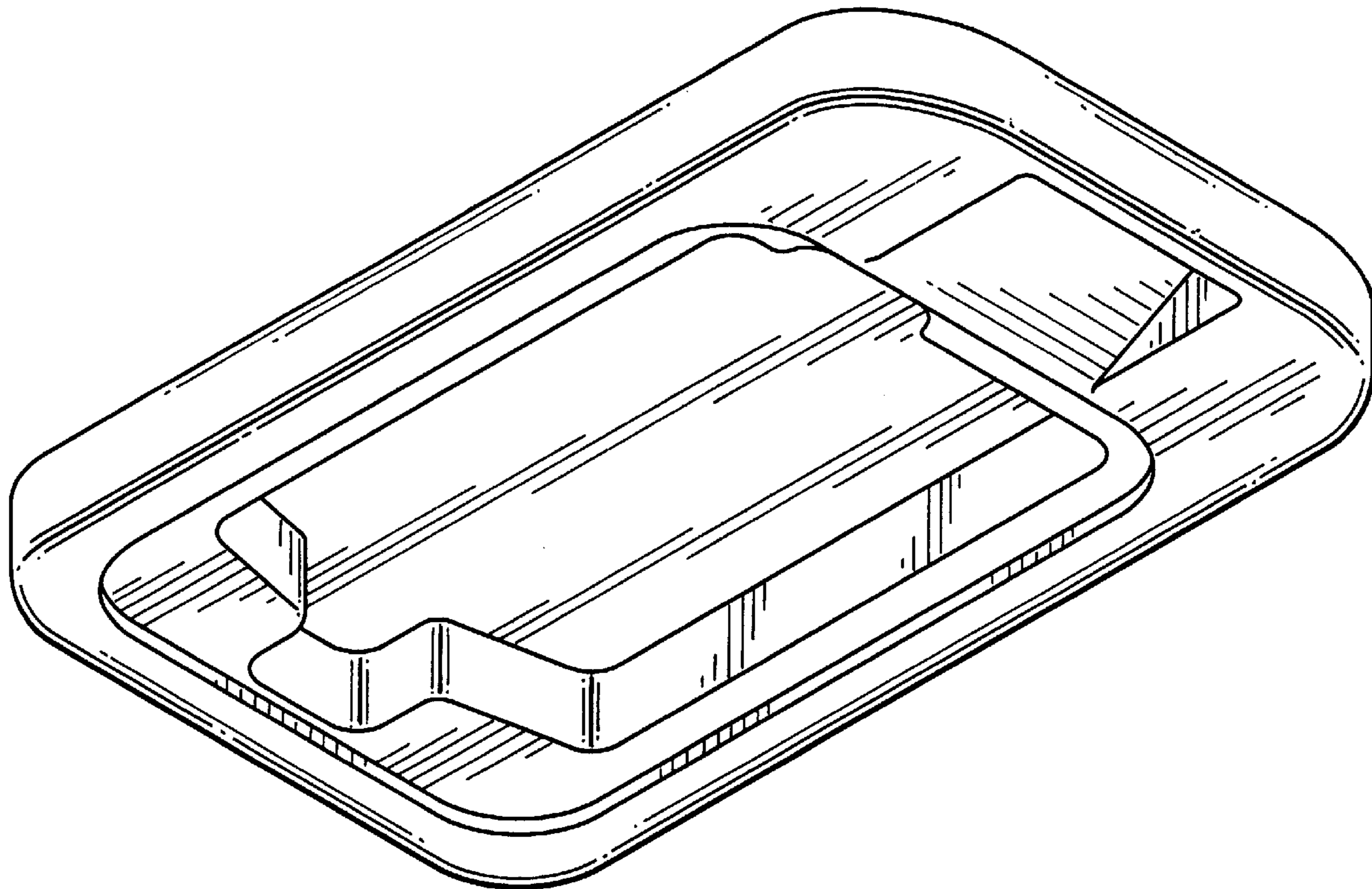
The ornamental design for a ceiling-mounted console, as shown and described.

### DESCRIPTION

FIG. 1 is an isometric view of a ceiling-mounted console constructed in accordance with the present invention; FIG. 2 is an enlarged bottom view of the ceiling-mounted console depicted in FIG. 1; FIG. 3 is an enlarged rear view of the ceiling-mounted console shown in FIG. 1, the front view being a mirror image thereof; and, FIG. 4 is an enlarged left-side view of the ceiling-mounted console, the right-side view being a mirror image thereof.

[56] **References Cited**  
U.S. PATENT DOCUMENTS  
D. 320,587 10/1991 Kapp et al. .... D12/418  
D. 339,780 9/1993 Burdick ..... D12/418  
D. 340,016 10/1993 Falcoff ..... D12/418  
D. 340,017 10/1993 Falcoff ..... D12/418  
D. 340,215 10/1993 Falcoff ..... D12/418  
D. 391,926 3/1998 Brunner et al. .... D14/100

**1 Claim, 2 Drawing Sheets**



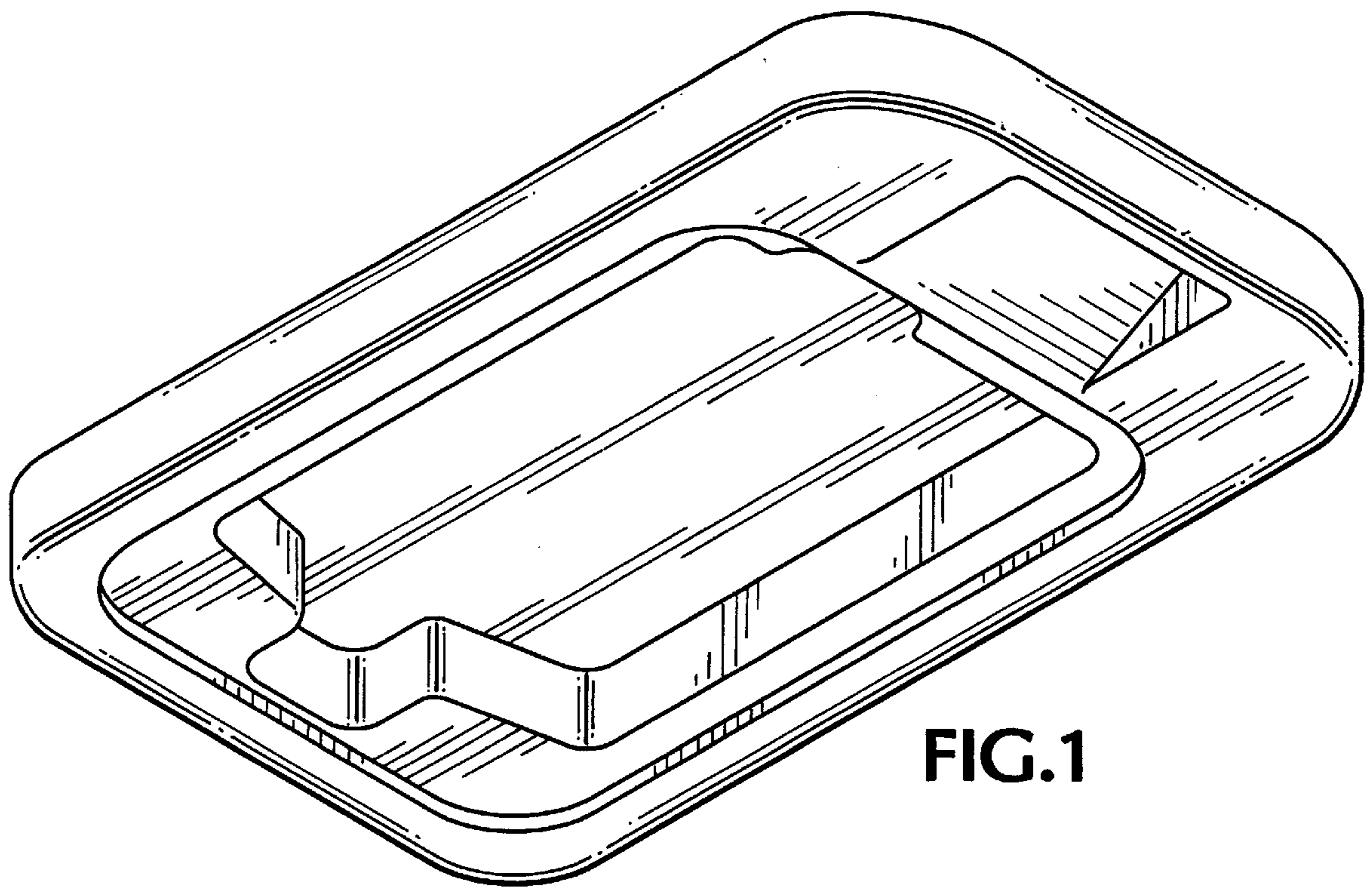


FIG. 1

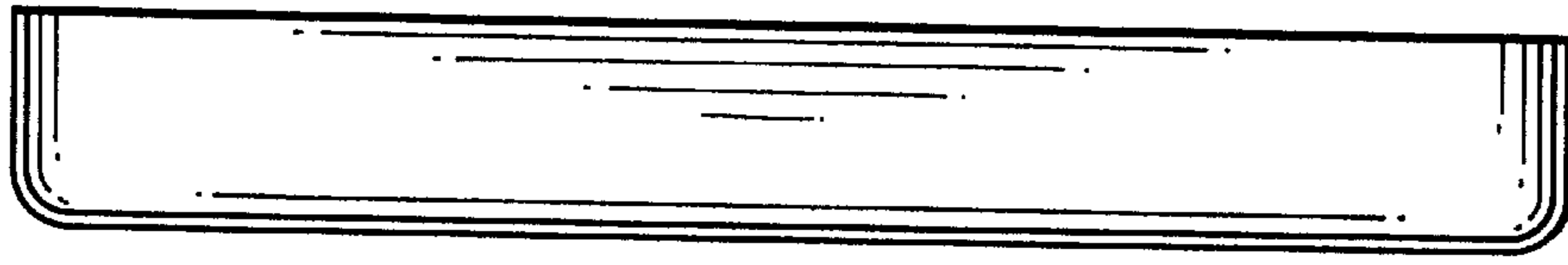


FIG. 3

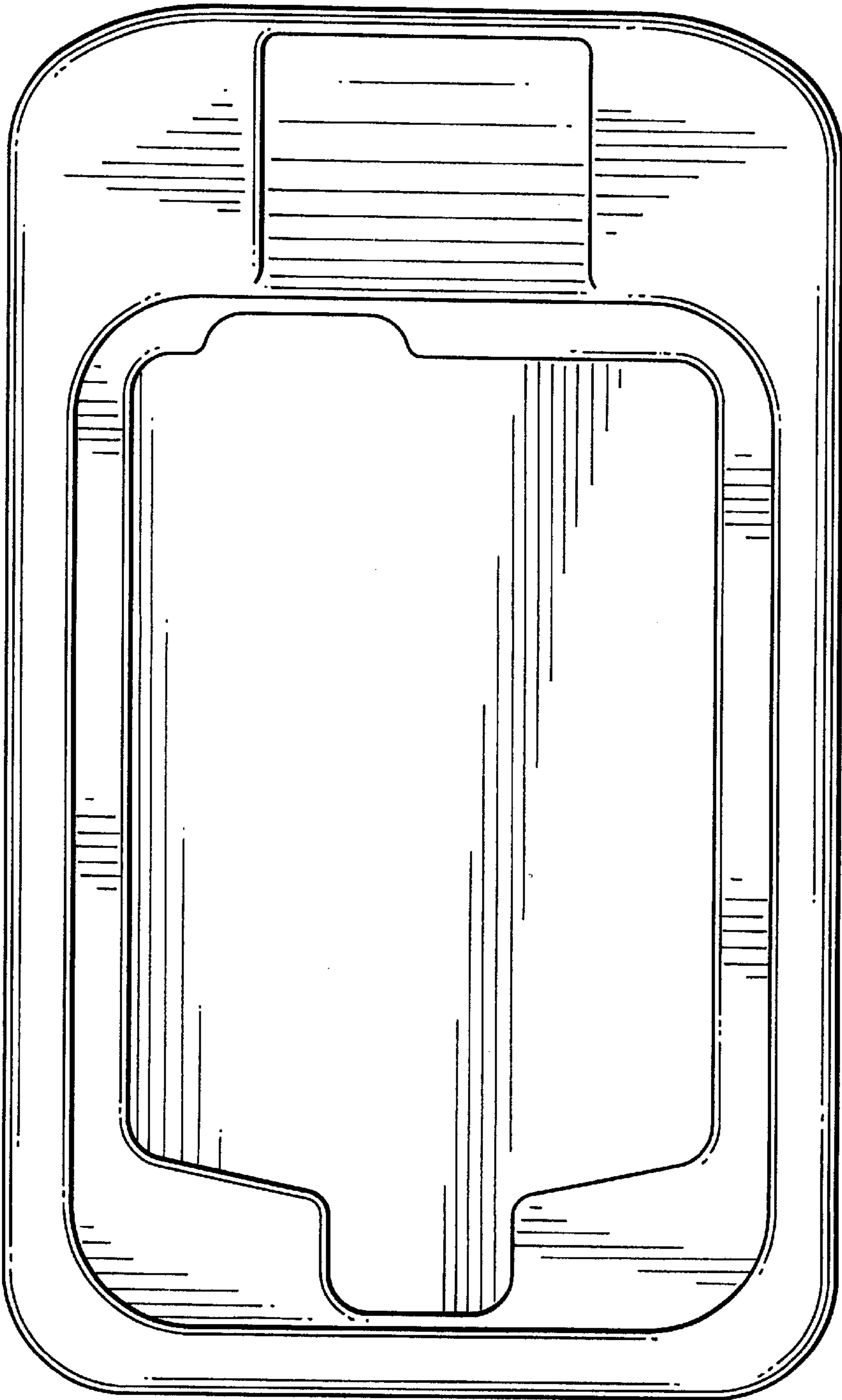


FIG. 2

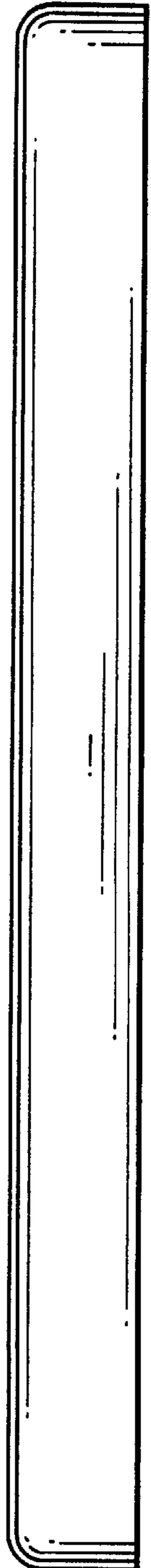


FIG. 4