



US00D411808S

# United States Patent [19] Irwin

[11] Patent Number: Des. 411,808  
[45] Date of Patent: \*\* Jul. 6, 1999

## [54] TAPERED GAUGE

[75] Inventor: Eric Irwin, Harbour, Mich.

[73] Assignee: Lee Valley Tools Ltd., Ottawa, Canada

[\*\*] Term: 14 Years

[21] Appl. No.: 29/086,151

[22] Filed: Apr. 7, 1998

[51] LOC (6) Cl. .... 10-04

[52] U.S. Cl. .... D10/65

[58] Field of Search ..... D10/65, 73, 64;  
33/544, 544.4

## [56] References Cited

### U.S. PATENT DOCUMENTS

2,114,936 4/1938 Pilnick ..... D10/65 X

Primary Examiner—Antoine Duval Davis

Attorney, Agent, or Firm—John S. Pratt; Kilpatrick Stockton LLP

## [57] CLAIM

The ornamental design for a tapered gauge, as shown and described.

## DESCRIPTION

FIG. 1 is a perspective view of a first embodiment of the present invention showing the first and second graduated faces of the tapered gauge.

FIG. 2 is an elevational view of the invention shown in FIG. 1.

FIG. 3 is an elevational view of the opposite end of the invention shown in FIG. 1.

FIG. 4 is a plan view showing the first sloping surface of the invention shown in FIG. 1.

FIG. 5 is a plan view of the registration surface opposite the first sloping surface of the invention shown in FIG. 1.

FIG. 6 is a plan view of the second graduated face of the invention shown in FIG. 1.

FIG. 7 is a plan view of the surface opposite the second graduated face of the invention shown in FIG. 1.

FIG. 8 is a perspective view of an alternate embodiment without graduations showing the first and second graduation faces of the present invention.

FIG. 9 is an end elevational view of the invention shown in FIG. 8.

FIG. 10 is an elevational view of the opposite end of the invention shown in FIG. 8.

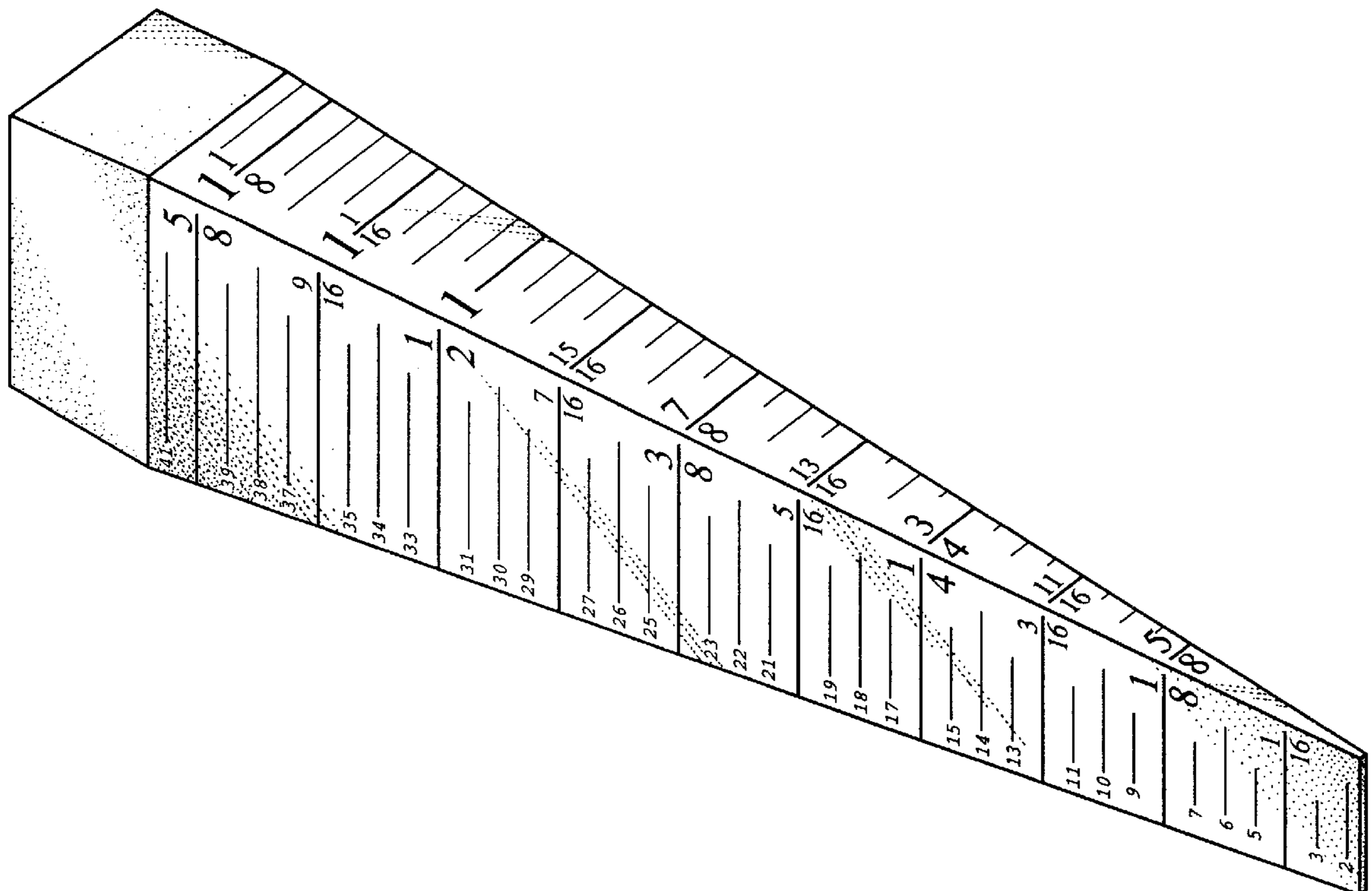
FIG. 11 is a plan view showing the first sloping surface of the invention shown in FIG. 8.

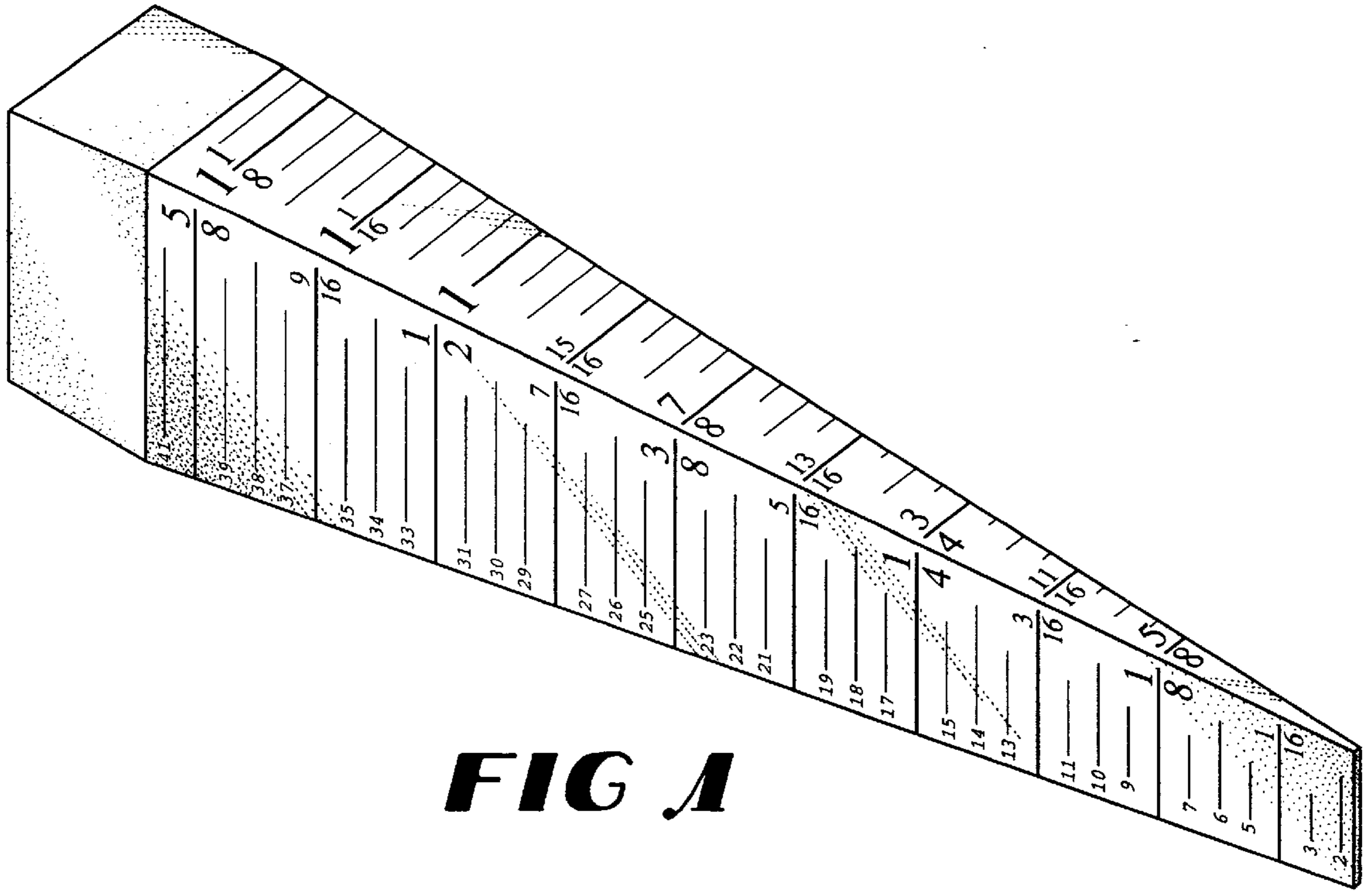
FIG. 12 is a plan view of the registration surface opposite the first sloping surface of the invention shown in FIG. 8.

FIG. 13 is a plan view of the second graduated face of the invention shown in FIG. 8; and,

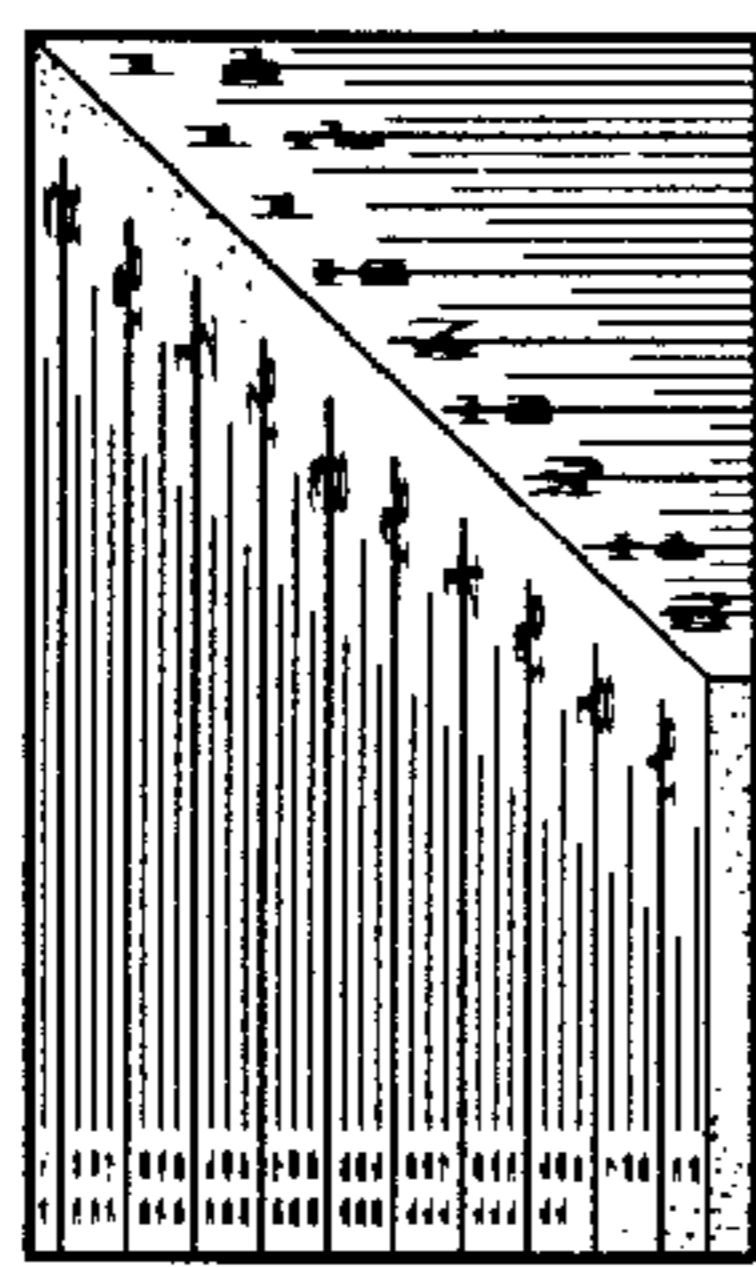
FIG. 14 is a plan view of the surface opposite the second graduated face of the invention shown in FIG. 8.

1 Claim, 3 Drawing Sheets

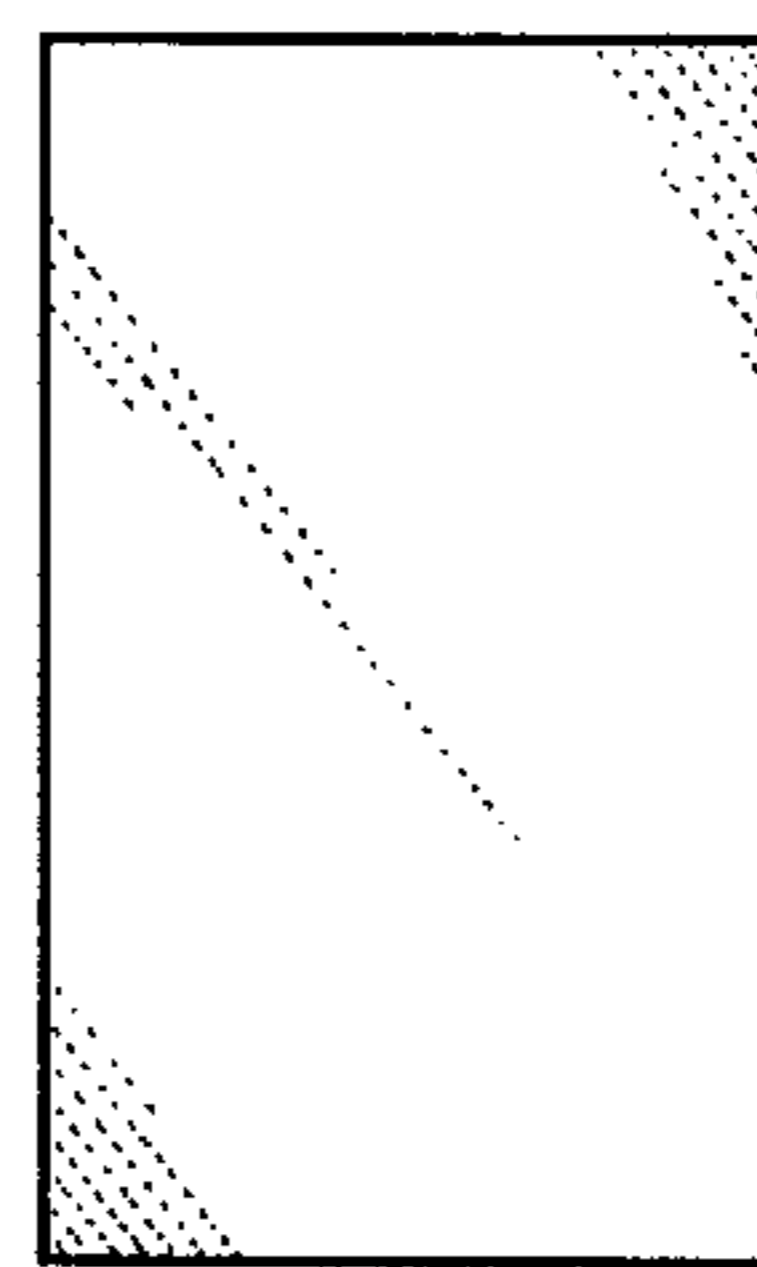




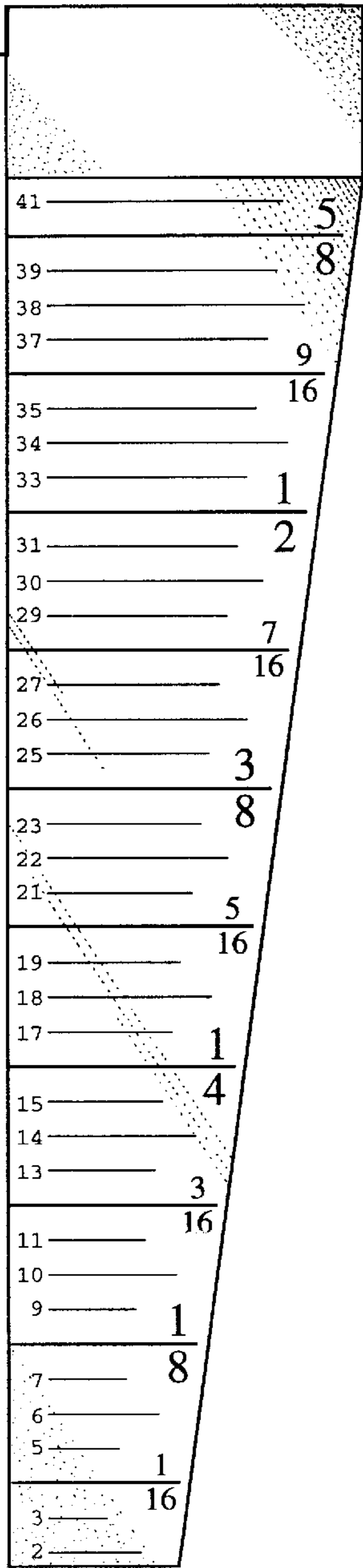
**FIG 1**



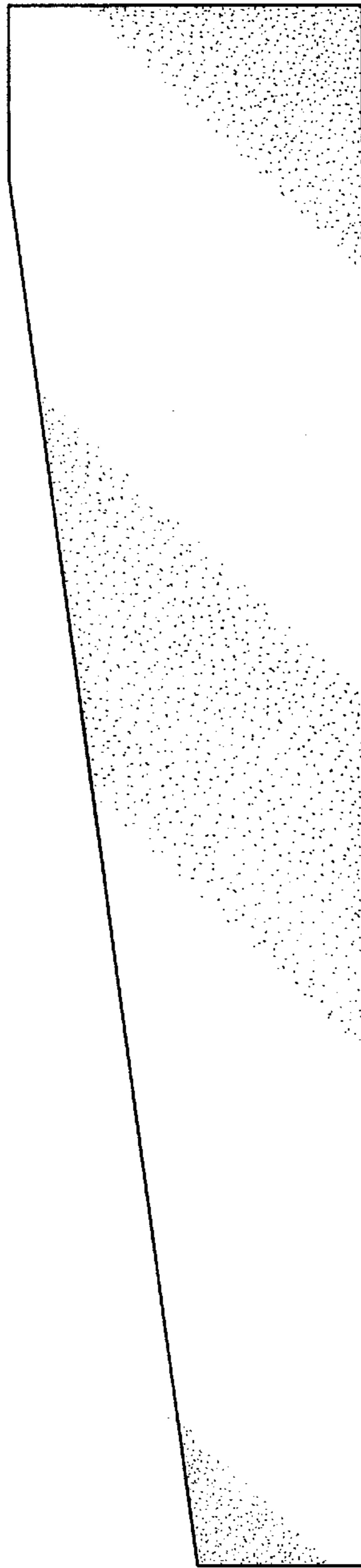
**FIG 2**



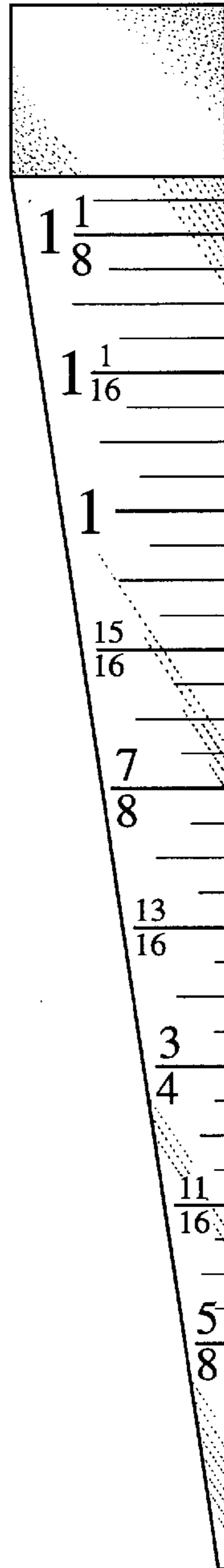
**FIG 3**



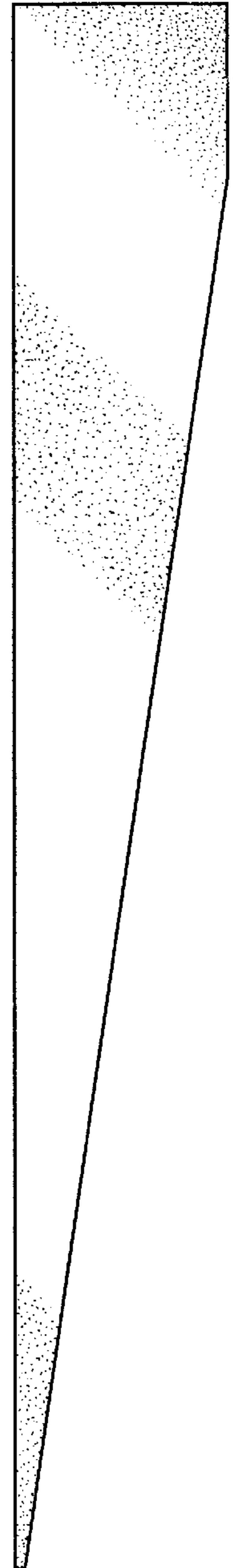
**FIG 4**



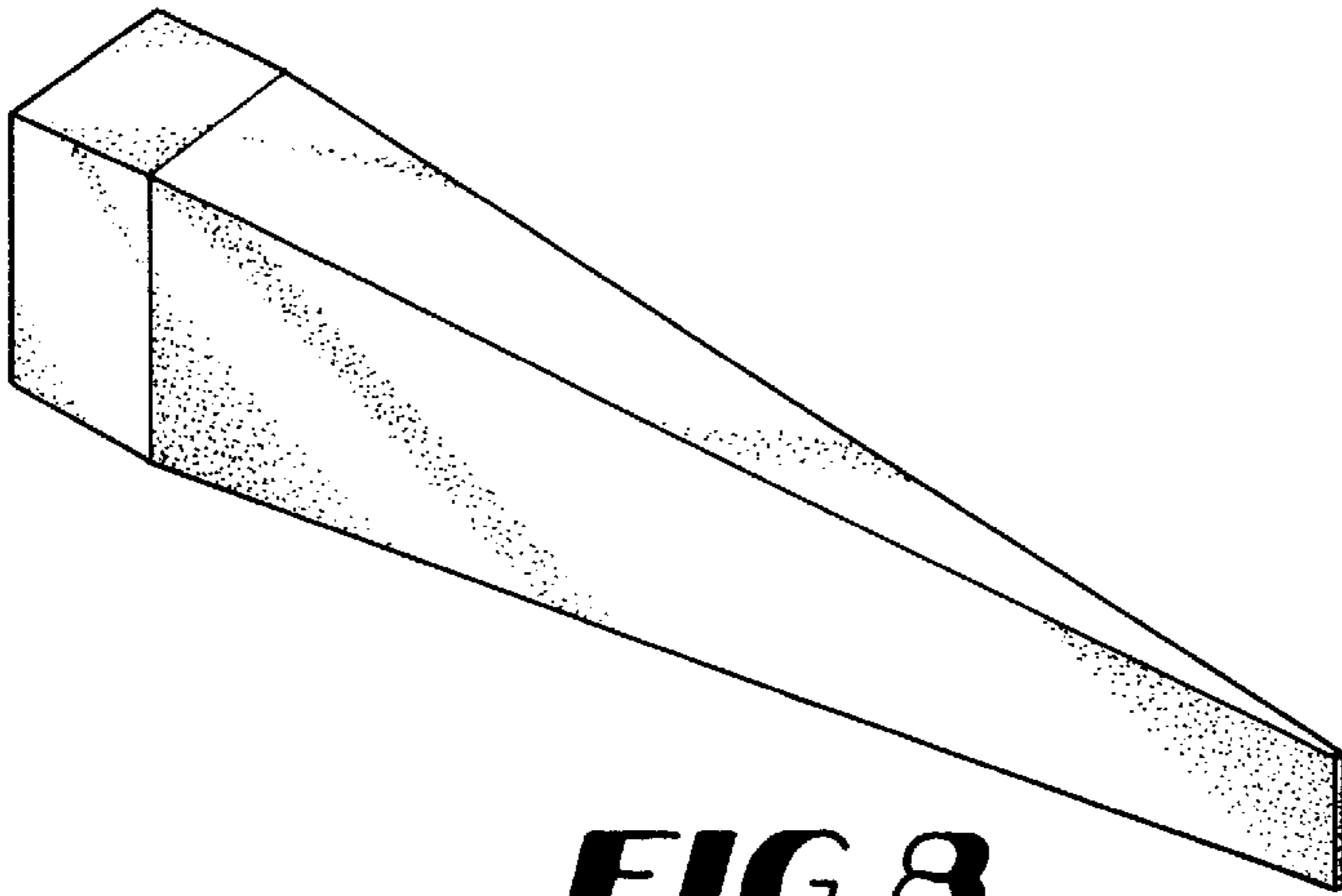
**FIG 5**



**FIG 6**



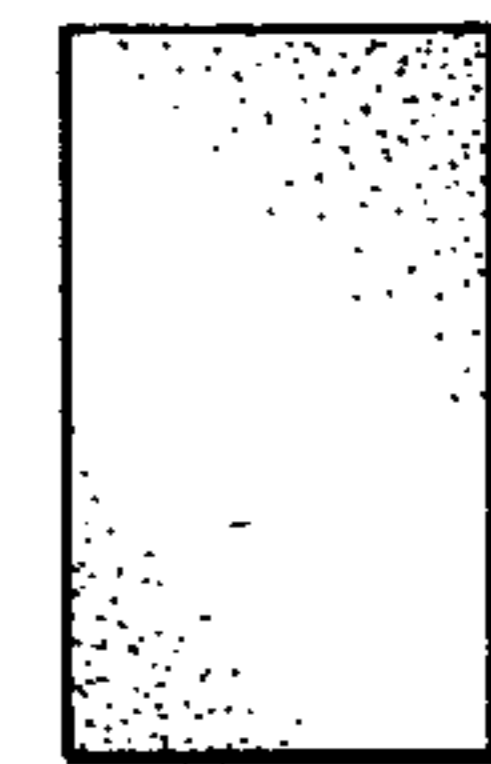
**FIG 7**



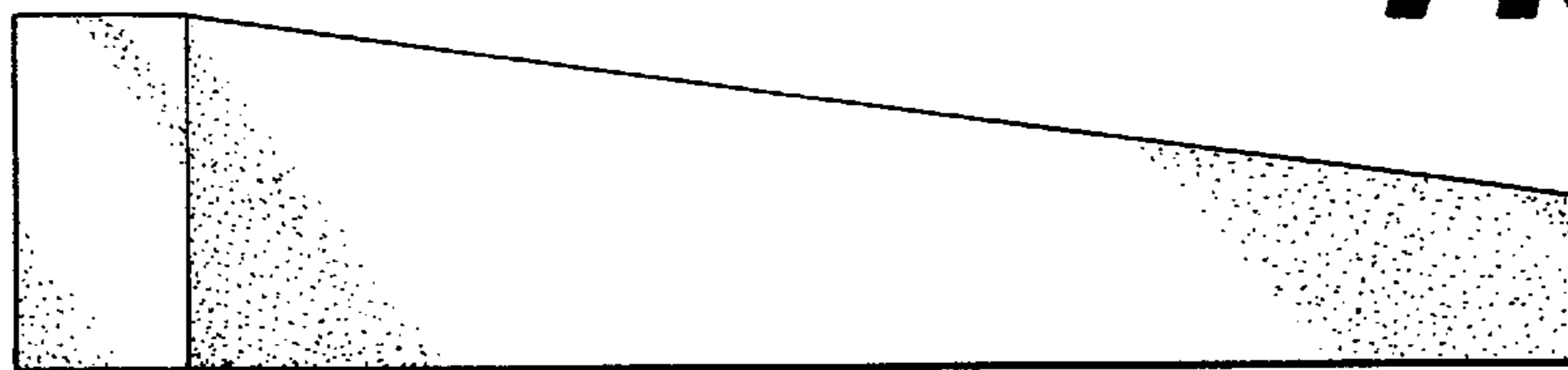
**FIG 8**



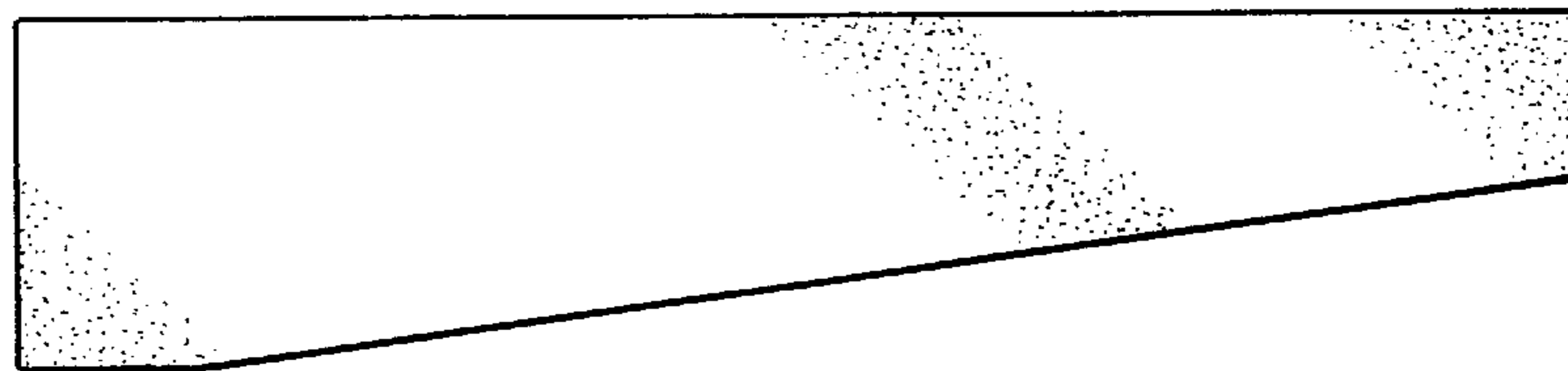
**FIG 9**



**FIG 10**



**FIG 11**



**FIG 12**



**FIG 13**



**FIG 14**