



US00D411802S

United States Patent [19]

[11] Patent Number: **Des. 411,802**

Hestehave et al.

[45] Date of Patent: **** Jul. 6, 1999**

[54] LIQUID BOTTLE

[75] Inventors: **Borge Hestehave**, Alta Loma; **Kjeld Hestehave**, Upland, both of Calif.

[73] Assignee: **Bomatic, Inc.**, Ontario, Calif.

[**] Term: **14 Years**

[21] Appl. No.: **29/067,508**

[22] Filed: **Mar. 6, 1997**

[51] LOC (6) Cl. **09-01**

[52] U.S. Cl. **D9/500; D9/502; D9/520; D9/554**

[58] Field of Search **D9/502, 557, 500, D9/503, 554, 520, 538; 215/382, 383, 384; D7/306, 307**

[56] **References Cited**

U.S. PATENT DOCUMENTS

D. 201,999	8/1965	Rau	D9/502
D. 235,624	7/1975	Templin	D9/557
D. 243,928	4/1977	Frahm et al.	D9/557
D. 270,136	8/1983	Cox	D9/502
D. 326,051	5/1992	Frahm	D9/500
D. 326,608	6/1992	Frahm	D9/502
D. 326,609	6/1992	Stenger	D9/502
D. 355,367	2/1995	Rokus	D9/557
2,155,259	4/1939	Dickson .	
3,688,950	9/1972	Parish .	
3,848,776	11/1974	Schieser .	
4,635,824	1/1987	Gaunt et al. .	

4,723,688	2/1988	Munoz .
4,741,448	5/1988	Alley et al. .
5,086,950	2/1992	Crossdale et al. .
5,297,700	3/1994	Burrows et al. .
5,402,915	4/1995	Hogan .
5,427,276	6/1995	Knuettel, II et al. .

Primary Examiner—Lucy Lieberman
Attorney, Agent, or Firm—Sixbey, Friedman, Leedom & Ferguson; David S. Safran

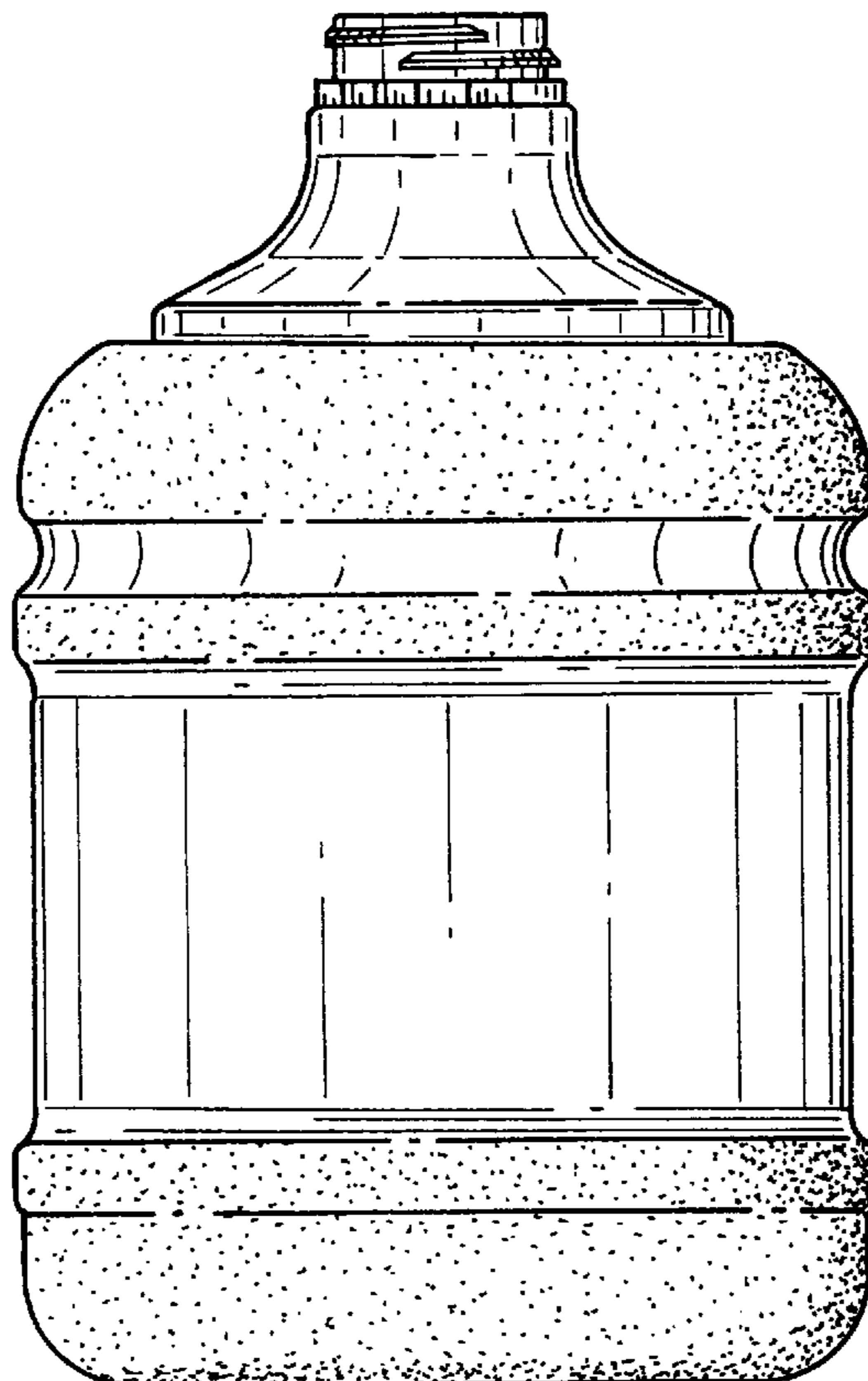
[57] **CLAIM**

The ornamental design for a liquid bottle, as shown and described.

DESCRIPTION

FIG. 1 is a front perspective view as seen from above showing a first embodiment of the design;
 FIG. 2 is a front elevation of the first embodiment, the rear and side elevations are the same except for the conventional screw threading on the neck;
 FIG. 3 is a top plan view of the first embodiment of the design;
 FIG. 4 is a front perspective view as seen from above showing a second embodiment of the design;
 FIG. 5 is a front elevation of the second embodiment, the rear and side elevations are the same except for the conventional screw threading on the neck;
 FIG. 6 is a bottom plan view of the first and second embodiments; and,
 FIG. 7 is a top plan view of the second embodiment.

1 Claim, 2 Drawing Sheets



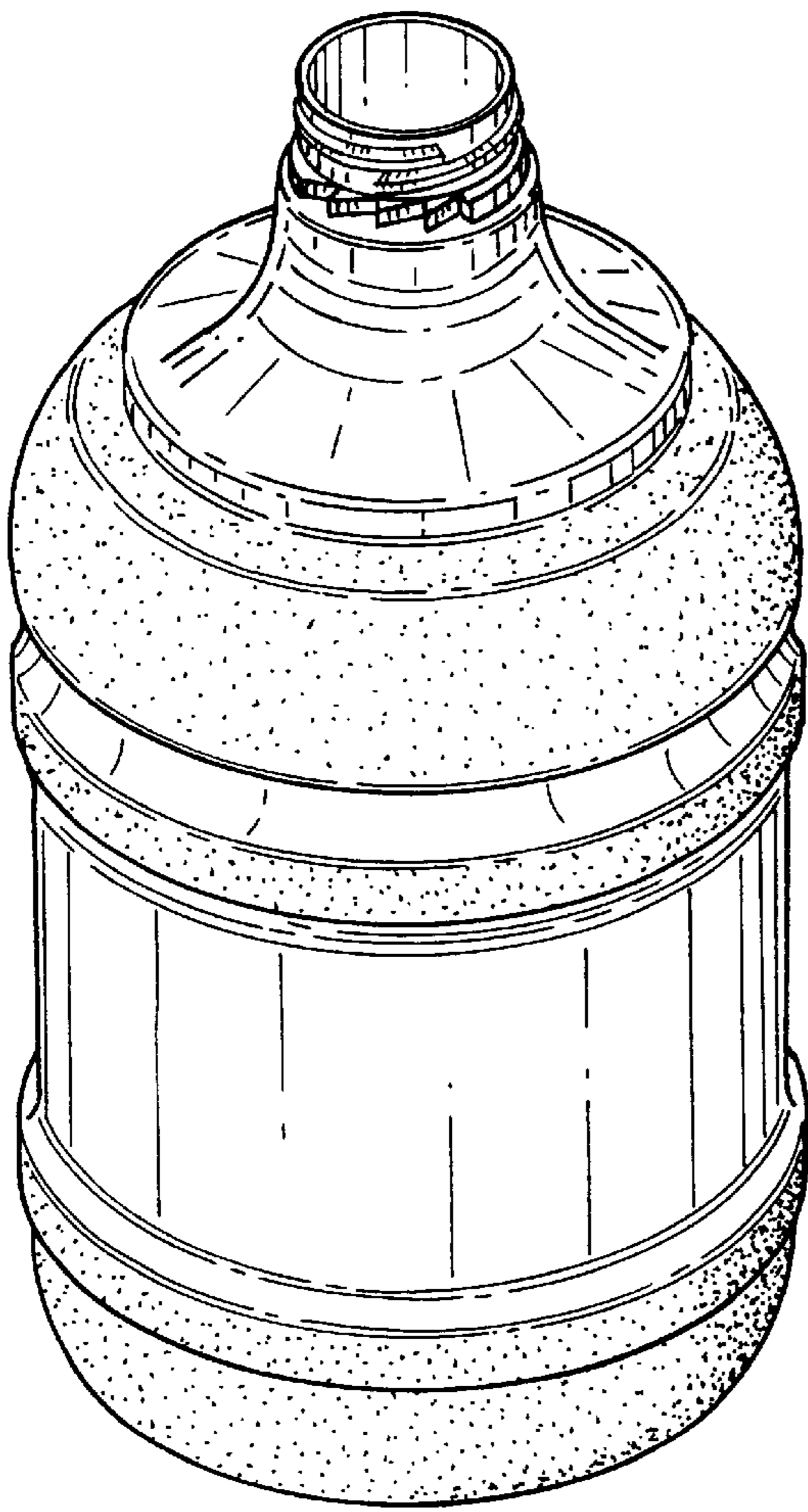


FIG. 1

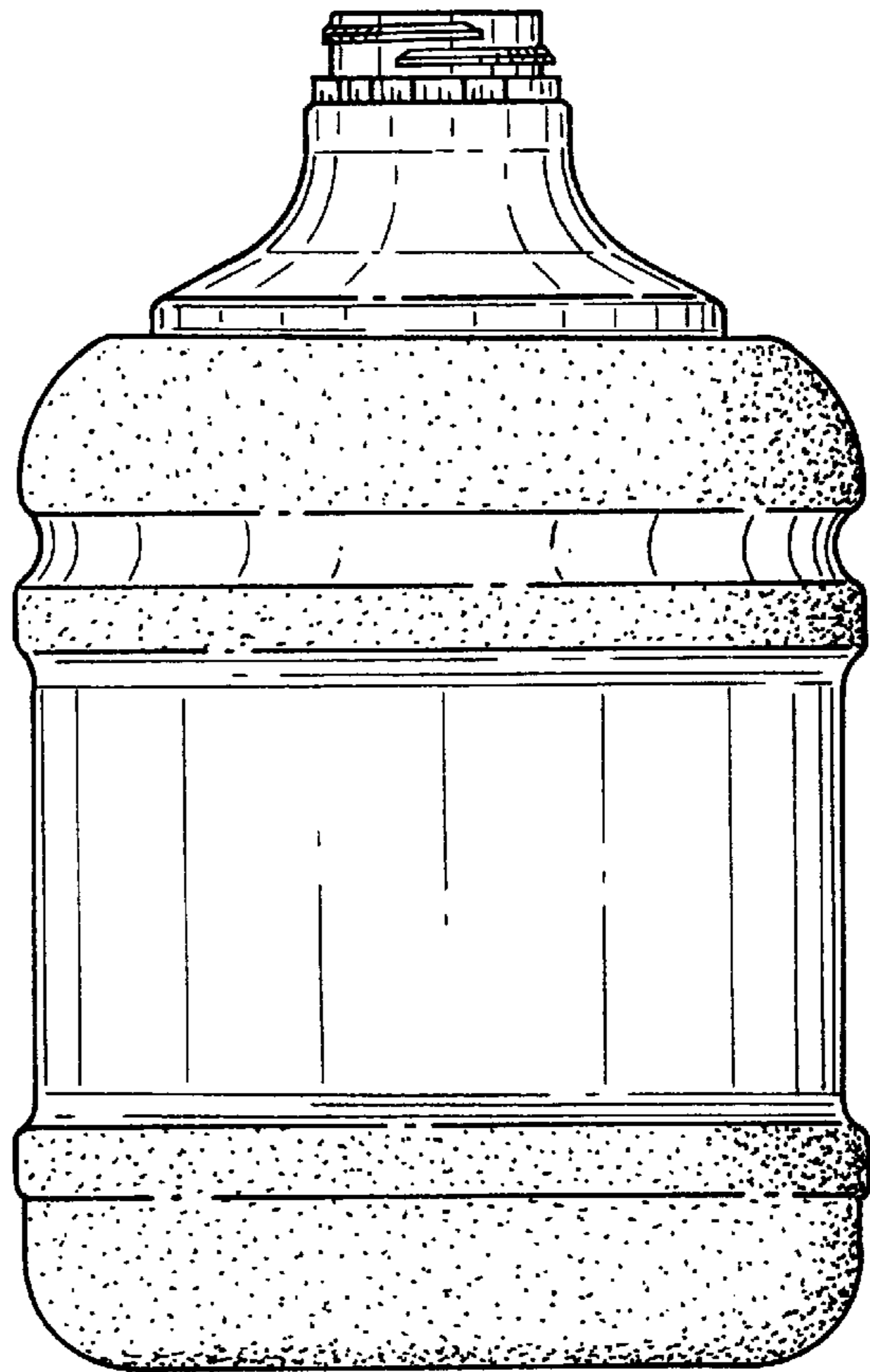


FIG. 2

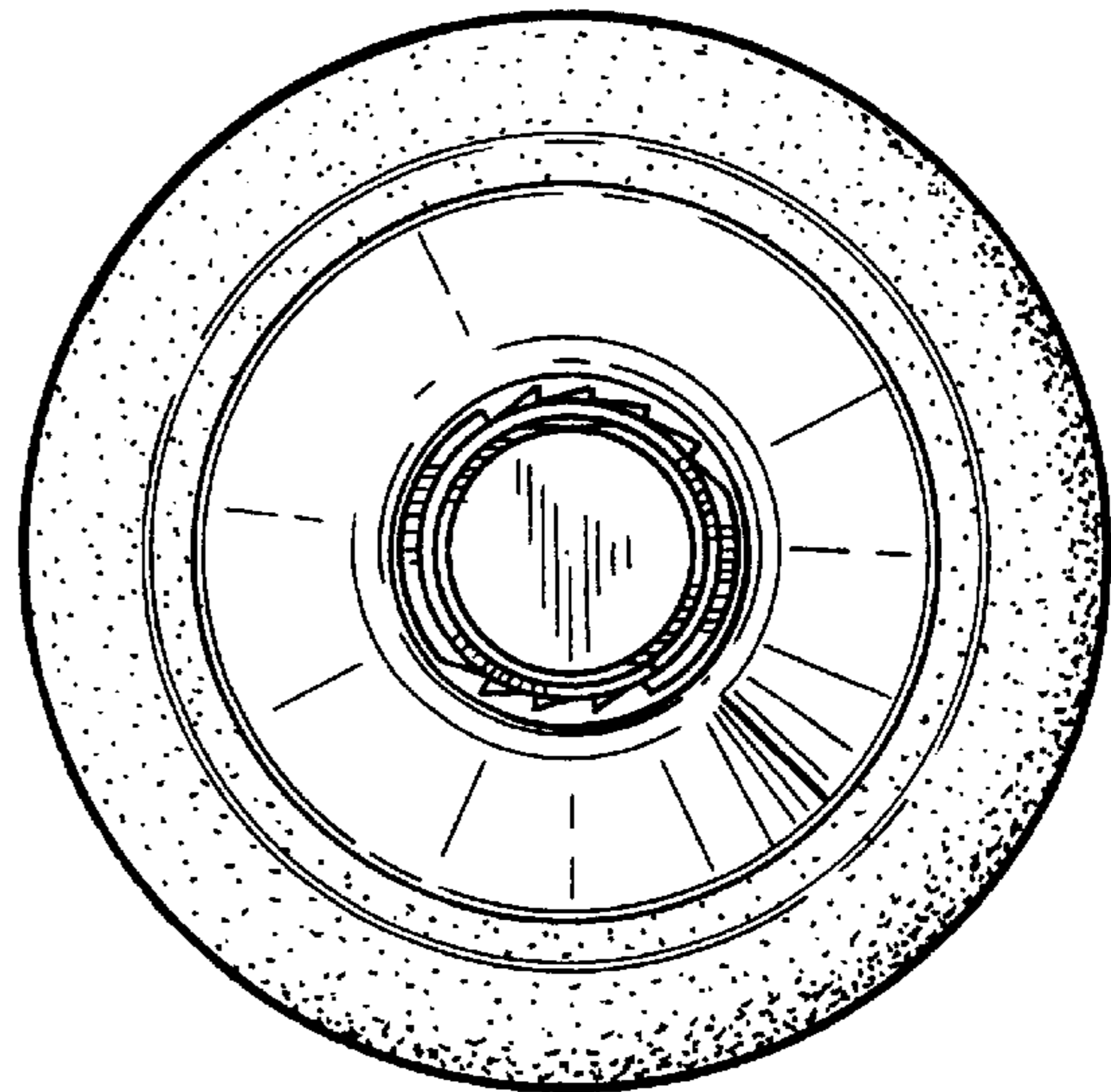


FIG. 3

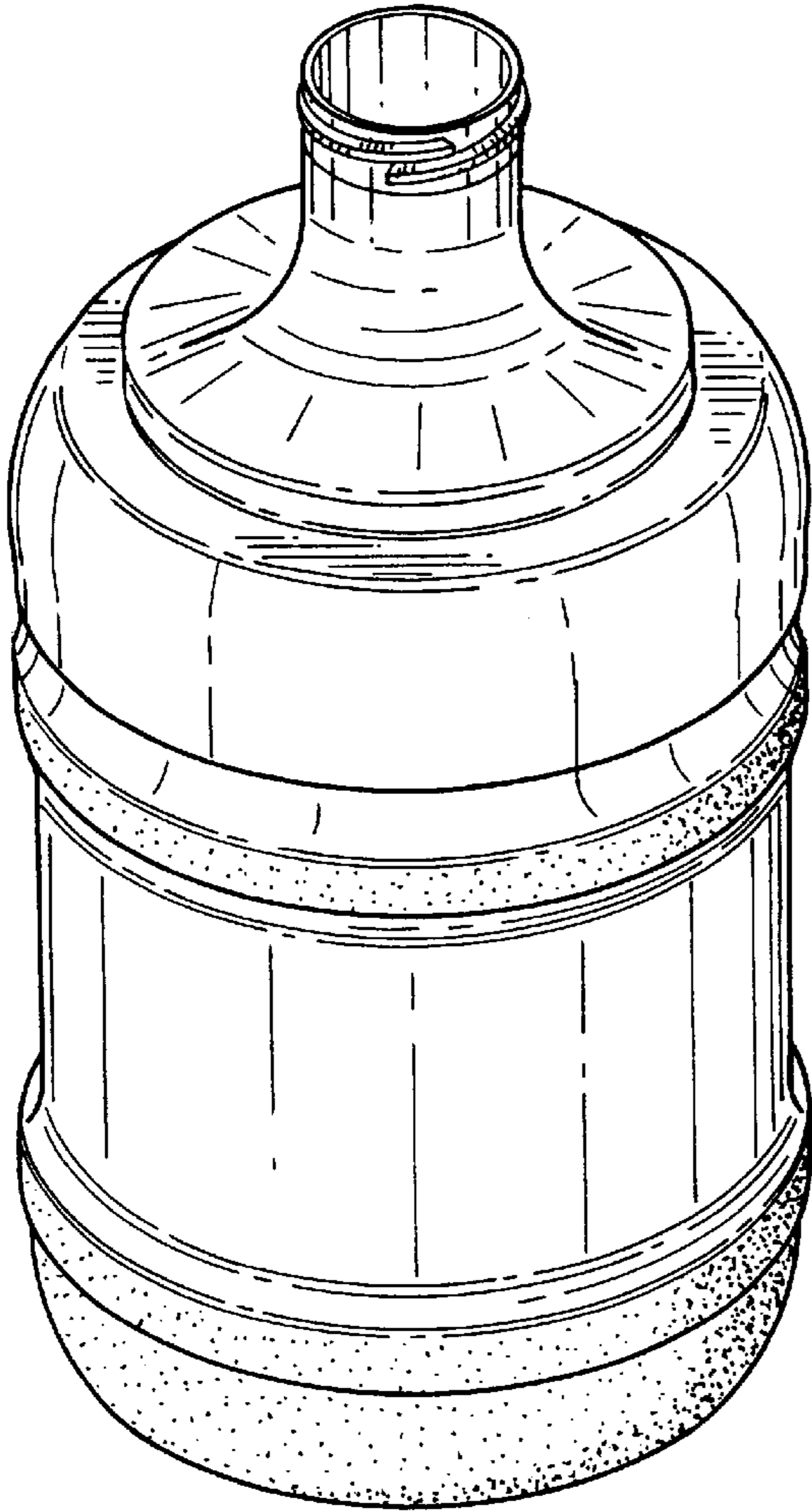


FIG. 4

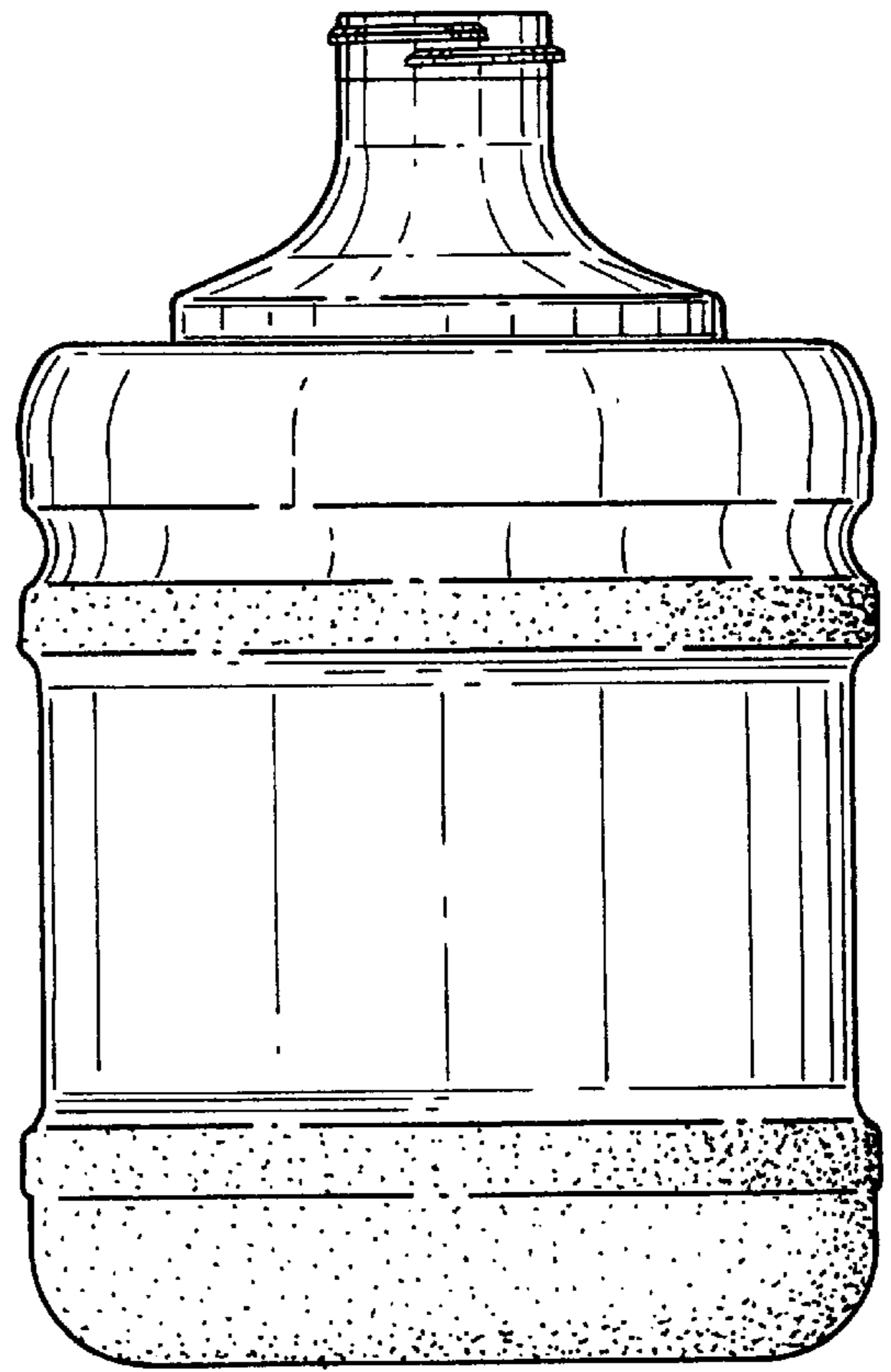


FIG. 5

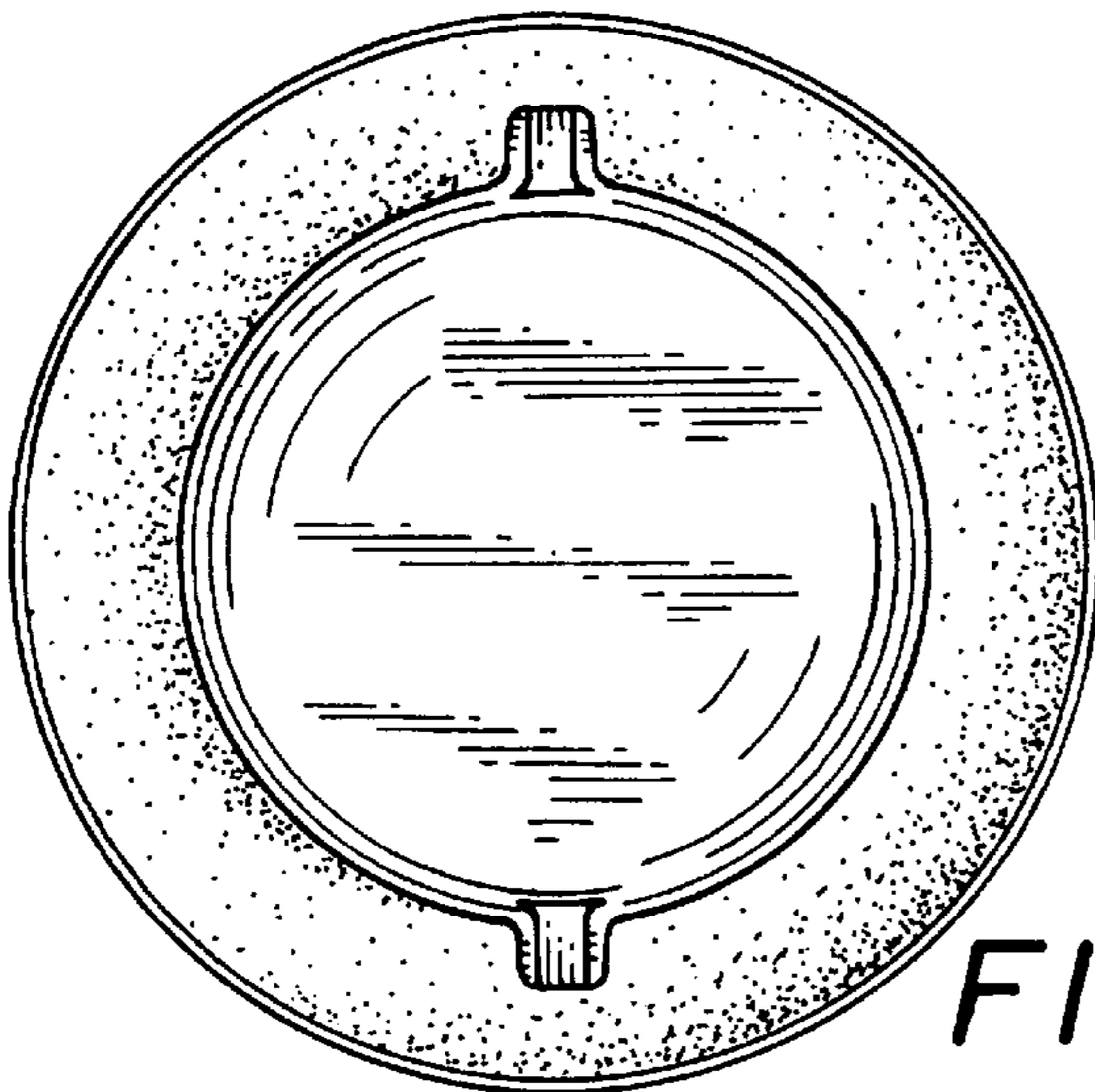


FIG. 6

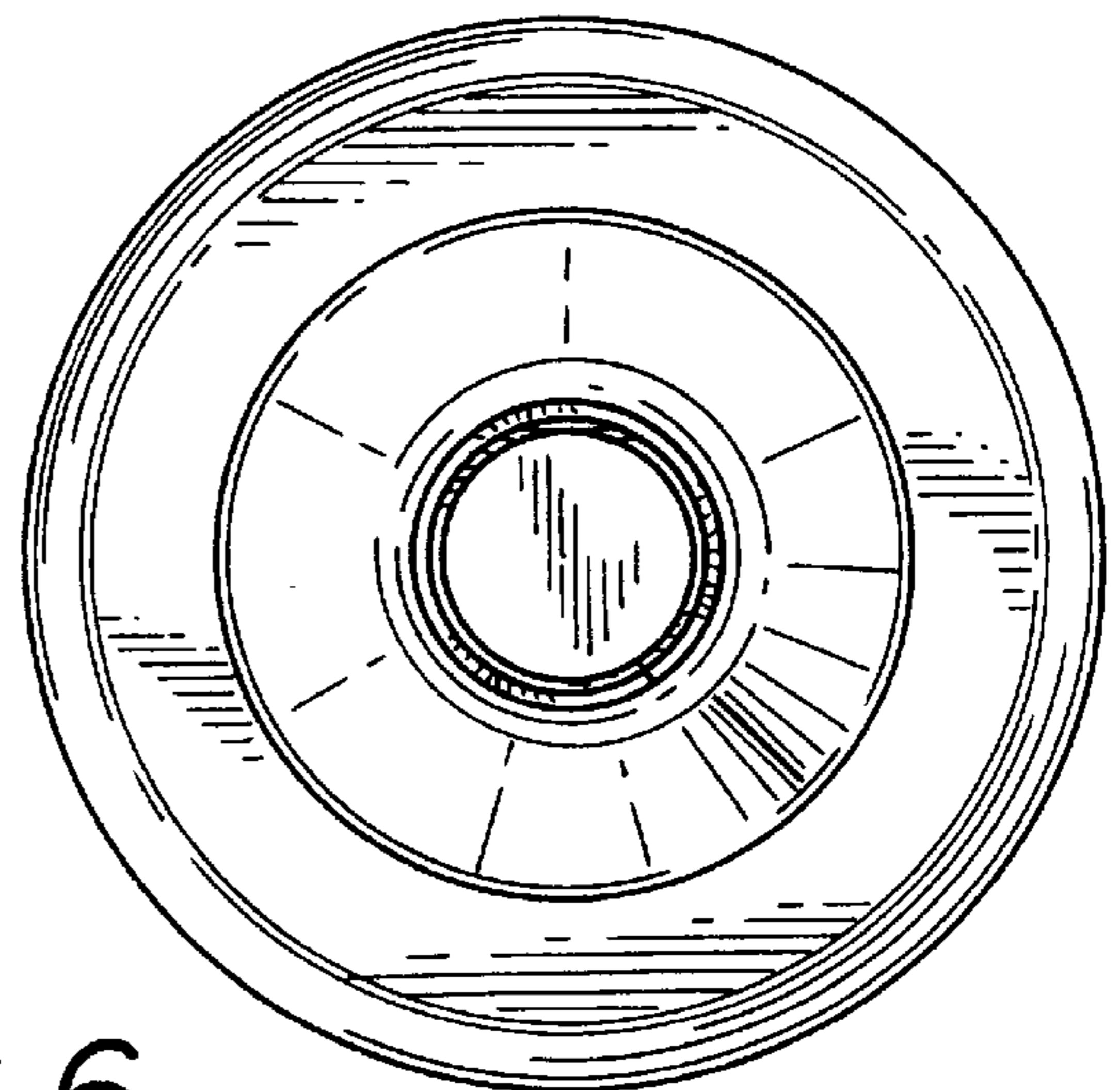


FIG. 7