



US00D411799S

United States Patent [19]

Davis

[11] Patent Number: Des. 411,799

[45] Date of Patent: ** Jul. 6, 1999

[54] COMBINATION PACKAGE OF COMPRESSED FABRIC ARTICLE AND COMPANION ARTICLE

[76] Inventor: Alan Davis, 6160 Lusk Blvd., Suite C-101, San Diego, Calif. 92121

[**] Term: 14 Years

[21] Appl. No.: 29/077,512

[22] Filed: Oct. 3, 1997

[51] LOC (6) Cl. 09-03

[52] U.S. Cl. D9/432

[58] Field of Search D9/346, 347, 348, D9/414, 418, 419, 421, 423, 432; 206/307.1, 308.1, 308.14

[56] References Cited

U.S. PATENT DOCUMENTS

D. 254,897	5/1980	Jonas	D9/433
D. 339,063	9/1993	Simon	D9/433
D. 344,018	2/1994	Kelsey et al.	D9/432 X
4,566,590	1/1986	Namming et al.	206/307.1 X
5,232,087	8/1993	Schluger	206/387.1 X
5,484,054	1/1996	Kryszewski	206/307.1 X
5,588,527	12/1996	Youngs	206/308.1

FOREIGN PATENT DOCUMENTS

5330587 12/1993 Japan 206/307.1

Primary Examiner—Sandra L. Morris

Assistant Examiner—Nanda Bondade

Attorney, Agent, or Firm—Brown, Martin, Haller & McClain, LLP

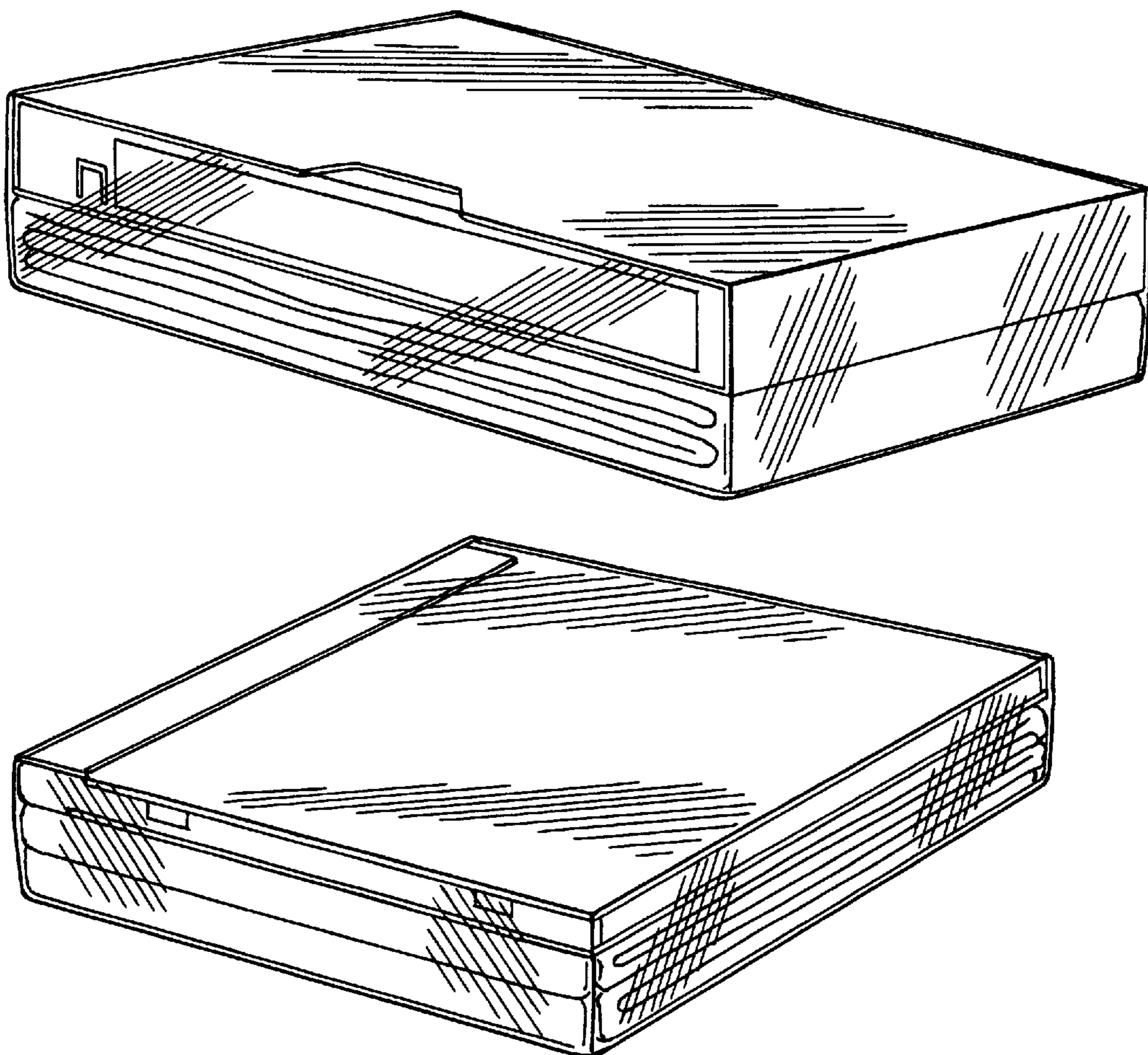
[57] CLAIM

The ornamental design for a combination package of compressed fabric article and companion article, as shown.

DESCRIPTION

FIG. 1 is a perspective view of a combination package of compressed fabric article and companion article showing my new design, showing the top, front and one end; FIG. 2 is a rear side elevation view thereof; FIG. 3 is a bottom plan view thereof; FIG. 4 is an elevation view of the other end thereof; FIG. 5 is a perspective view of an alternate embodiment of FIG. 1, showing the top, front and one end; FIG. 6 is a rear side elevation view of the package of FIG. 5; FIG. 7 is a bottom plan view thereof; and, FIG. 8 is an elevation view of the other end thereof.

1 Claim, 2 Drawing Sheets



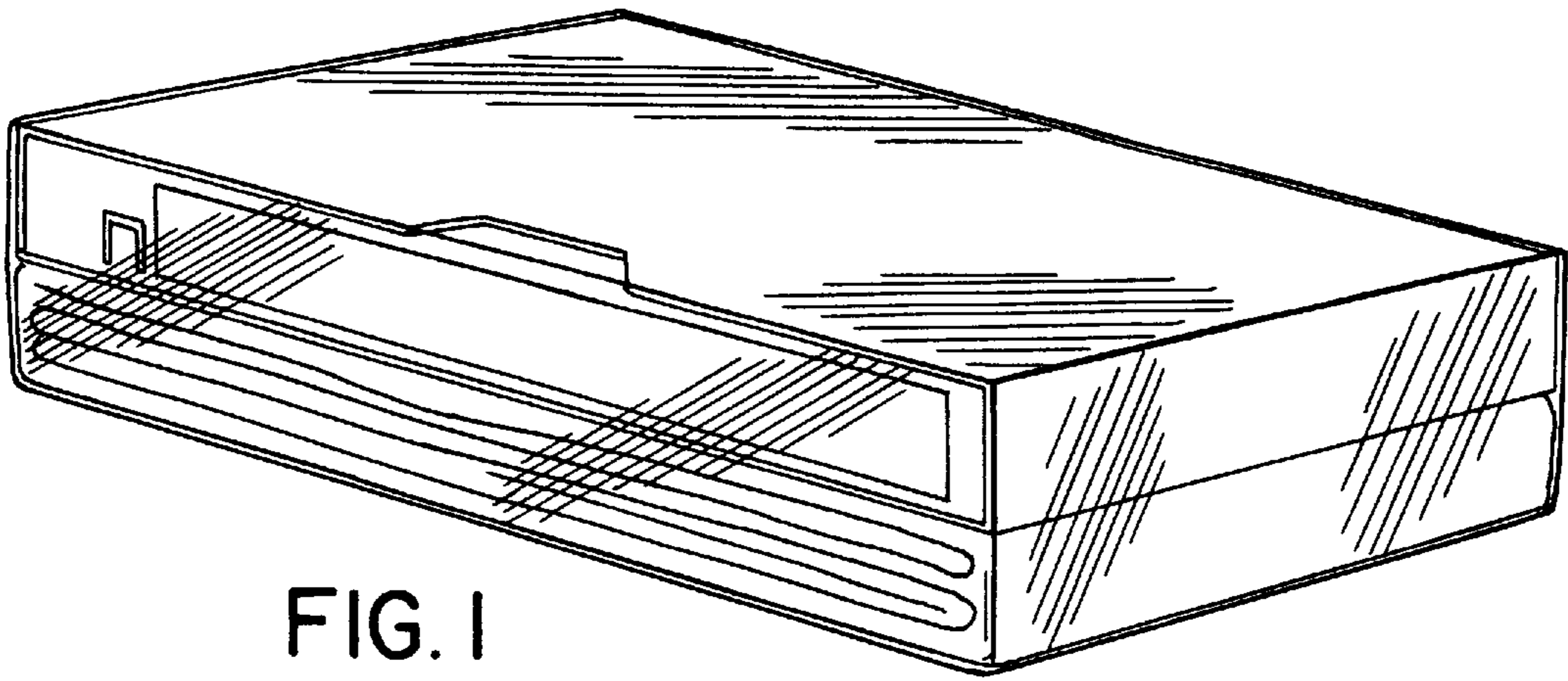


FIG. 1

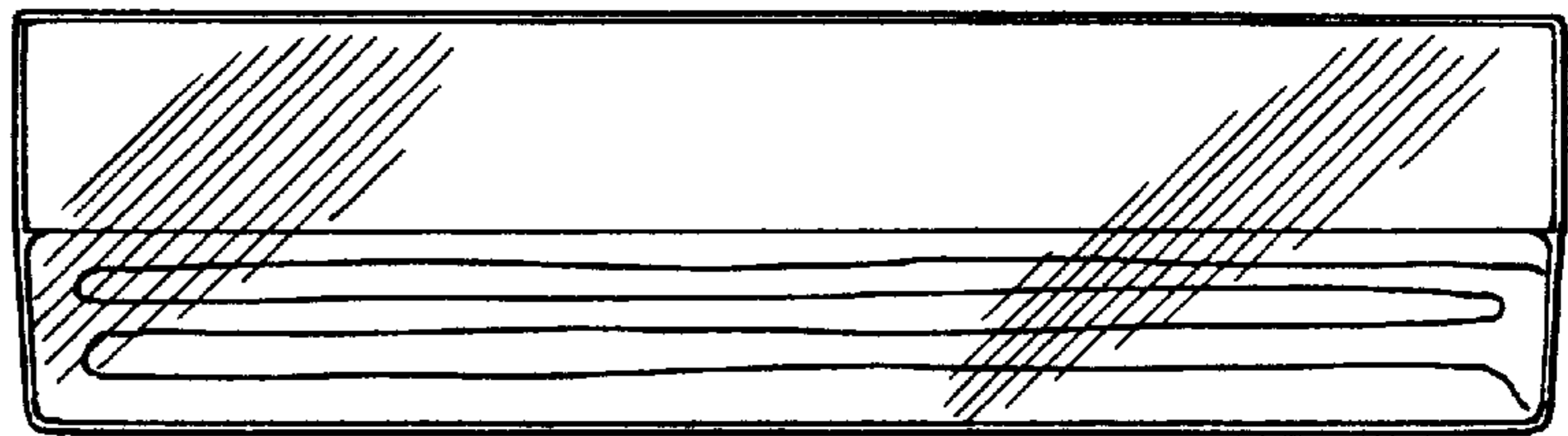


FIG. 2

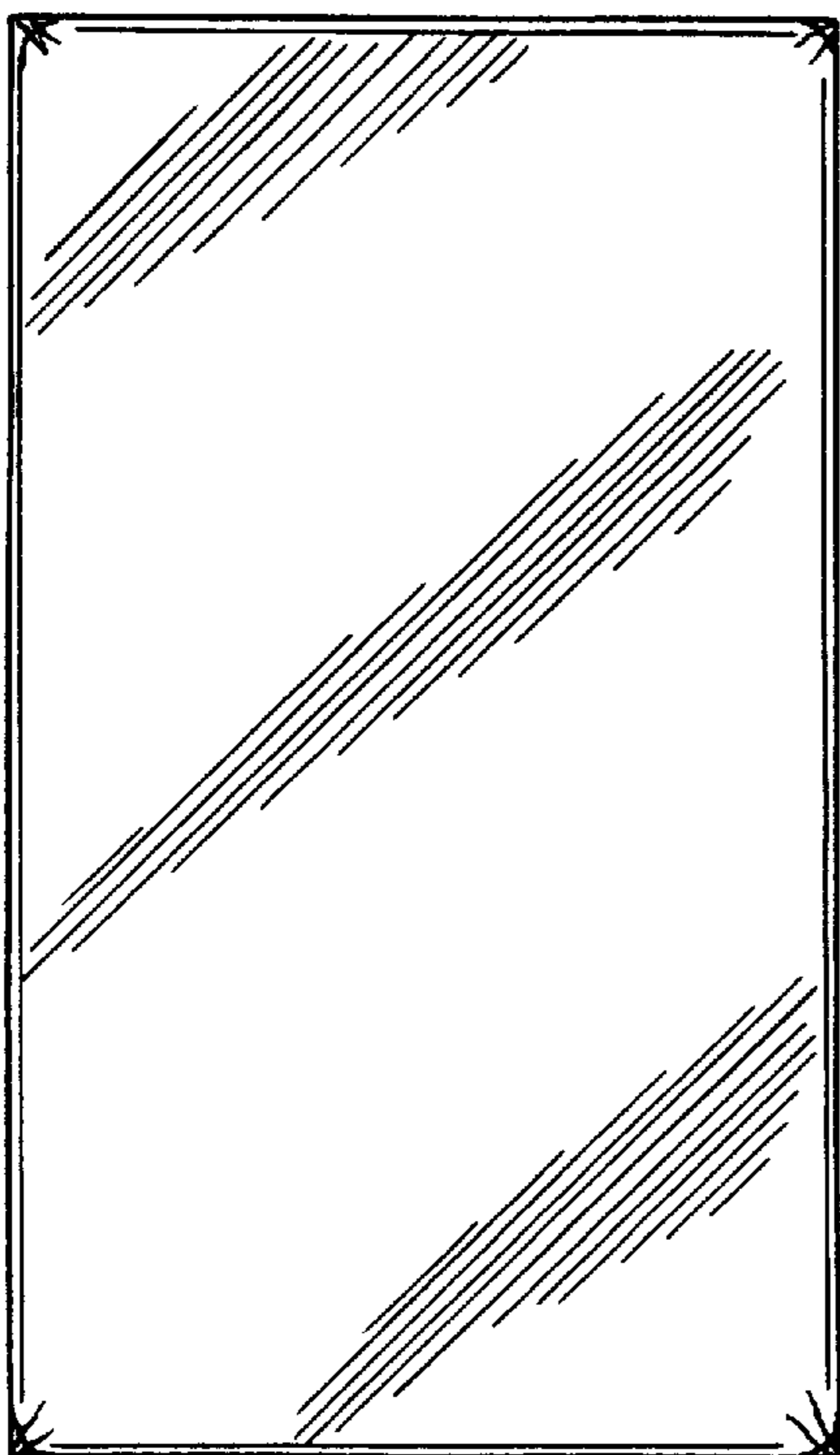


FIG. 3

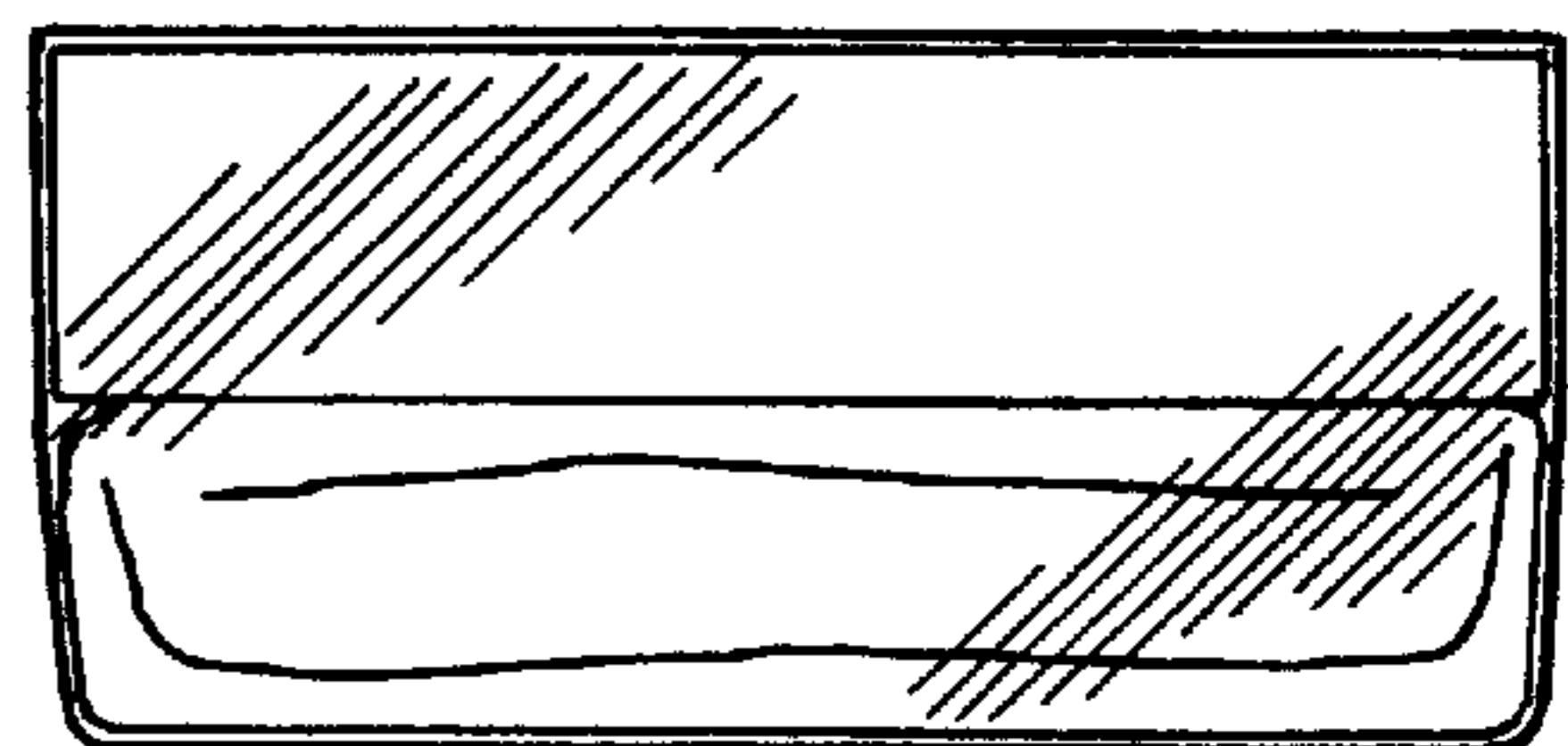


FIG. 4

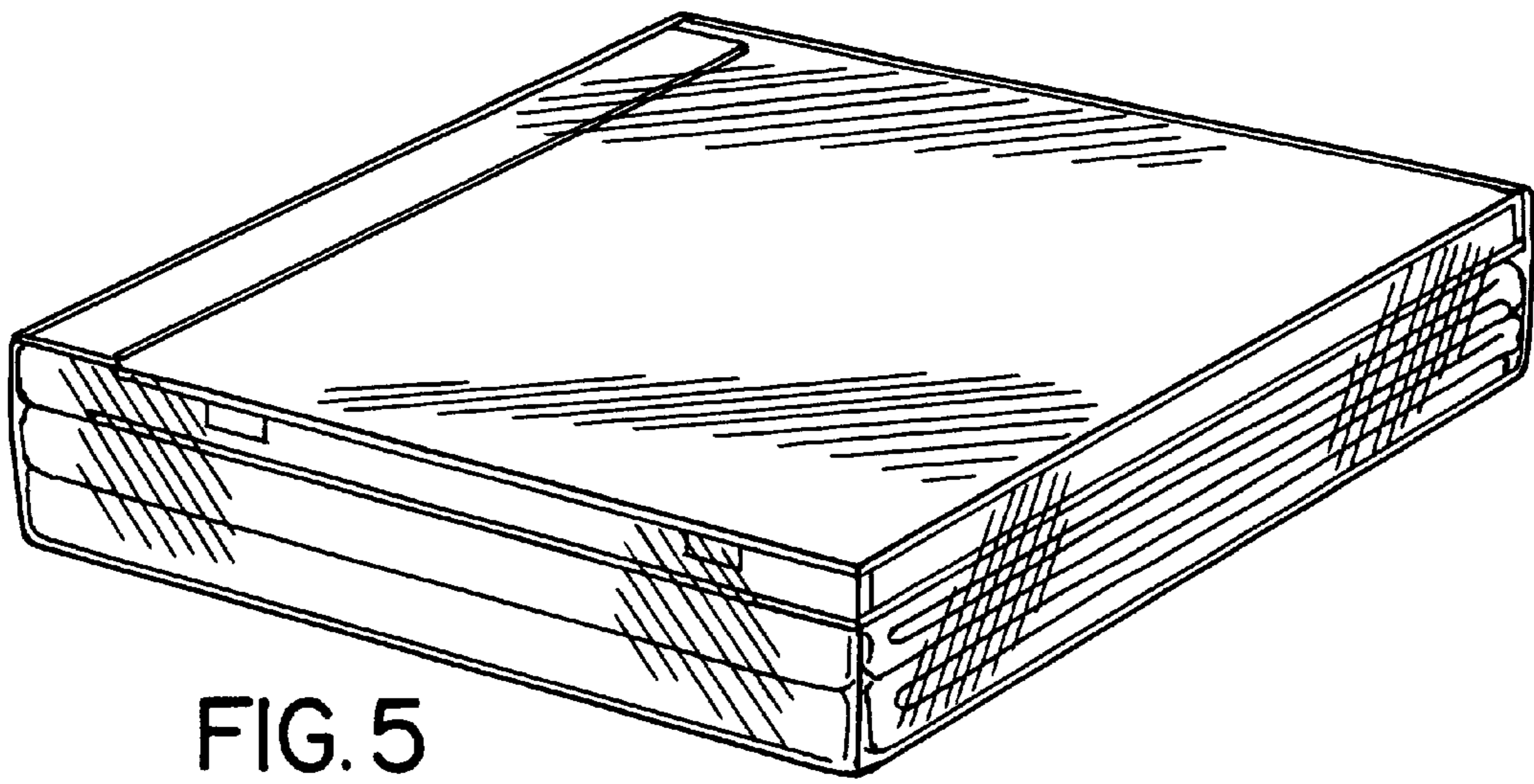


FIG. 5



FIG. 6

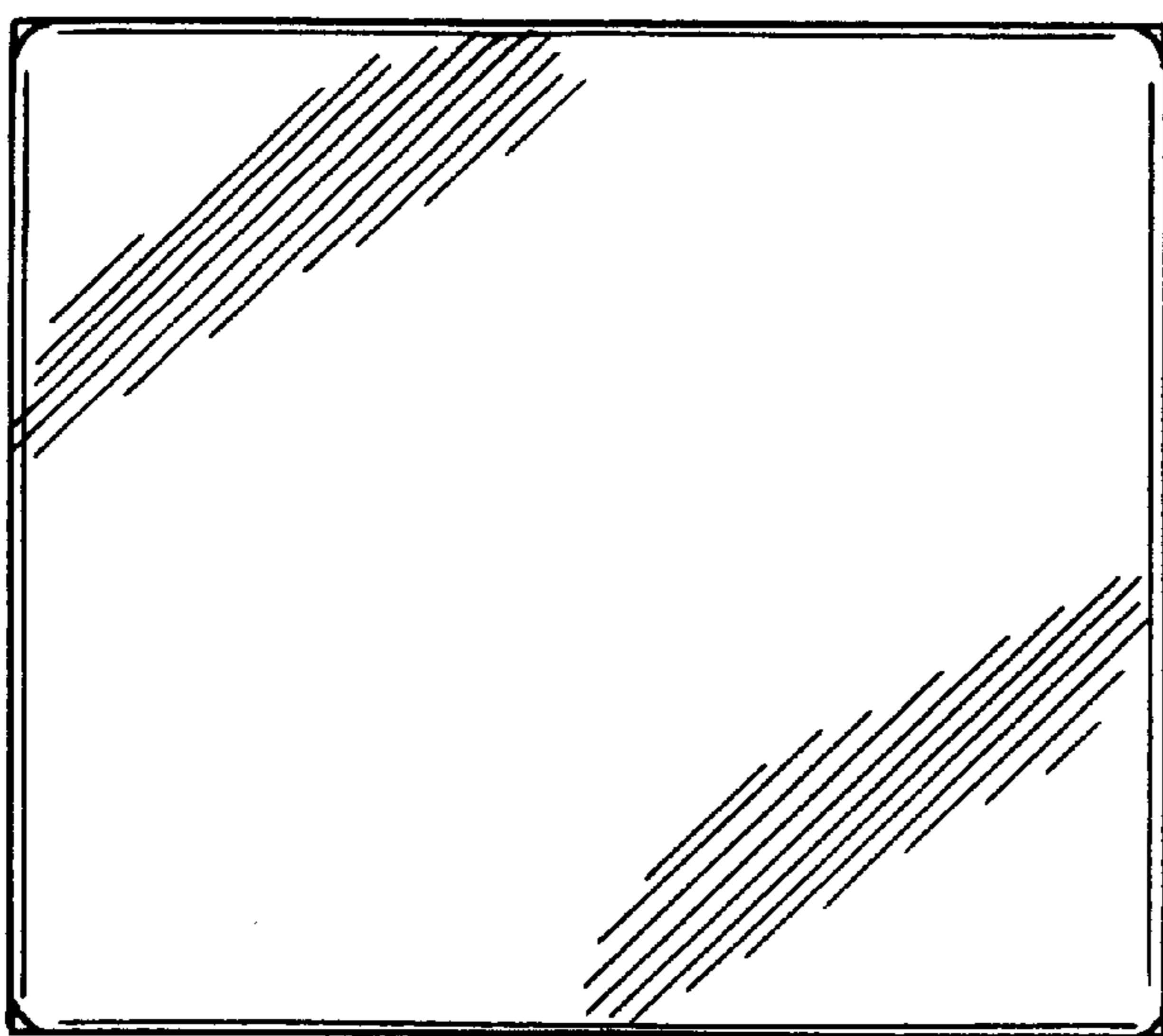


FIG. 7



FIG. 8